



US00D952976S

(12) **United States Design Patent** (10) **Patent No.:** **US D952,976 S**
Moulton (45) **Date of Patent:** **** May 24, 2022**

(54) **CLEANING DEVICE**
(71) Applicant: **John Moulton**, Spotsylvania, VA (US)
(72) Inventor: **John Moulton**, Spotsylvania, VA (US)
(**) Term: **15 Years**
(21) Appl. No.: **29/761,331**
(22) Filed: **Dec. 8, 2020**

D538,987 S * 3/2007 Angeletta D32/40
D568,566 S * 5/2008 Gabbour D32/40
D583,156 S * 12/2008 Constantine D4/137
D612,118 S * 3/2010 Williams D32/46
D624,720 S * 9/2010 Motsenbocker D32/46
D670,469 S * 11/2012 Polk D32/40
8,434,187 B2 * 5/2013 Weinberger A47L 1/16
15/236.08
D765,930 S * 9/2016 Baldwin D32/35
D841,271 S * 2/2019 Motsenbocker D32/46
2020/0010056 A1 * 1/2020 Bates B60S 3/045

Related U.S. Application Data

(63) Continuation-in-part of application No. 17/028,575, filed on Sep. 22, 2020.
(60) Provisional application No. 62/909,390, filed on Oct. 2, 2019.
(51) **LOC (13) Cl.** **07-05**
(52) **U.S. Cl.**
USPC **D32/46**
(58) **Field of Classification Search**
USPC D32/40-42, 44-52; D8/9-14, 90
CPC A47L 13/11; A47L 1/16
See application file for complete search history.

FOREIGN PATENT DOCUMENTS

WO WO-2007001250 A1 * 1/2007 A47L 1/16

OTHER PUBLICATIONS

Car Squeegee, Weathertech website 2022, site visited Mar. 21, 2022, <https://www.weathertech.com/techcare/waterblade/>.*

* cited by examiner

Primary Examiner — John R Yeh

(57) **CLAIM**

The ornamental design for a cleaning device, as shown and described.

DESCRIPTION

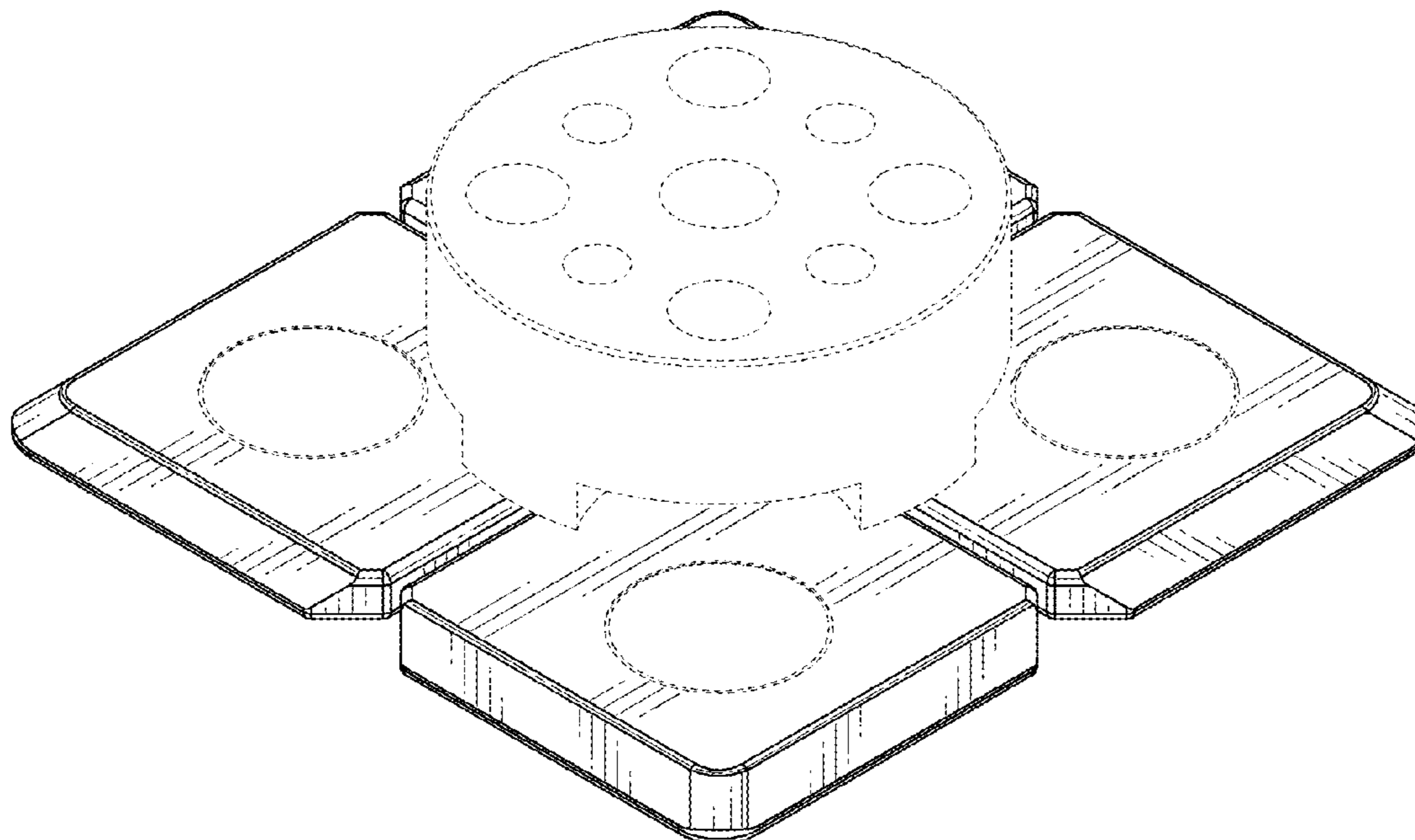
FIG. 1 is a front-top perspective view of a cleaning device showing my new design;
FIG. 2 is a front-bottom perspective view thereof;
FIG. 3 is a front elevational view thereof, wherein the rear, left, right elevational views are identical thereto;
FIG. 4 is a top plan view thereof; and,
FIG. 5 is a bottom plan view thereof.
The broken lines shown are for illustrative purposes only and form no part of the claimed design.

1 Claim, 5 Drawing Sheets

(56) **References Cited**

U.S. PATENT DOCUMENTS

D295,911 S * 5/1988 Zogg D32/45
D320,483 S * 10/1991 Desautel 15/236.08
D354,595 S * 1/1995 Wasak D4/137
D365,180 S * 12/1995 Brookfield D32/48
5,781,957 A * 7/1998 Scholl A47L 1/16
15/236.08
D412,230 S * 7/1999 Schmidt D32/46
D429,136 S * 8/2000 Ali D8/90
6,282,742 B1 * 9/2001 Boggs A47L 1/16
15/236.02
D509,723 S * 9/2005 Smith D8/90
D530,178 S * 10/2006 Bortz D8/90



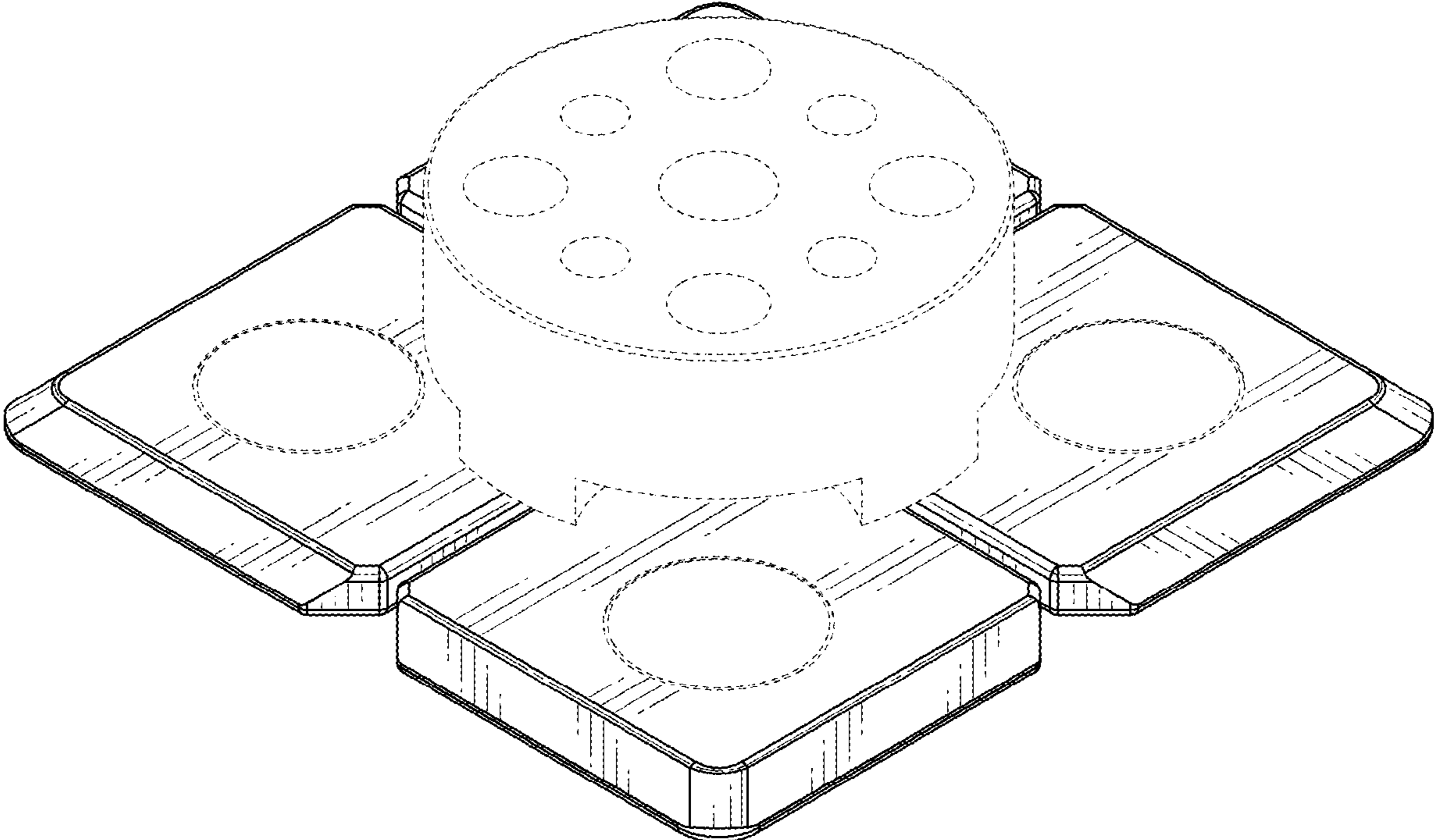


FIG. 1

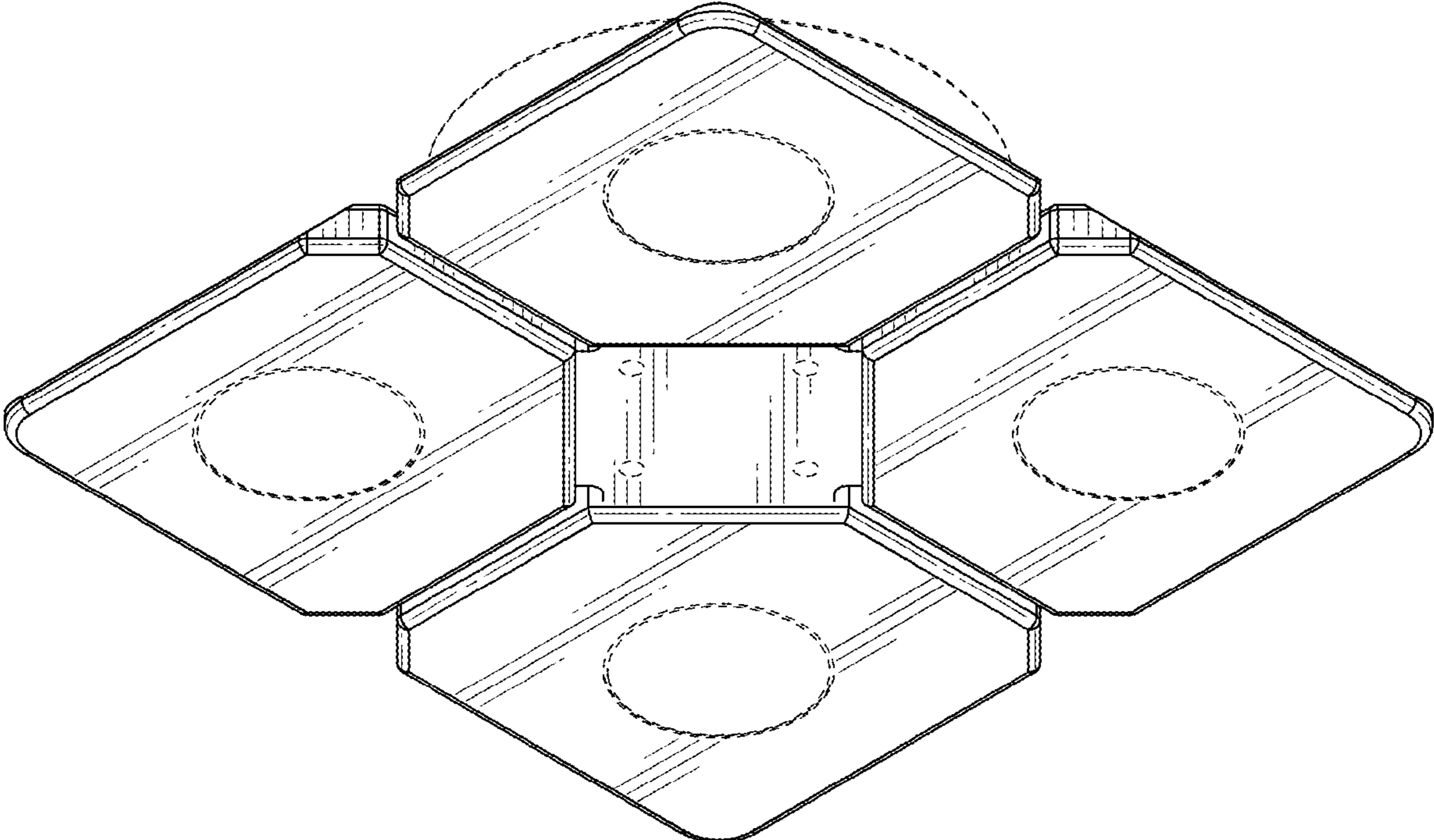


FIG. 2

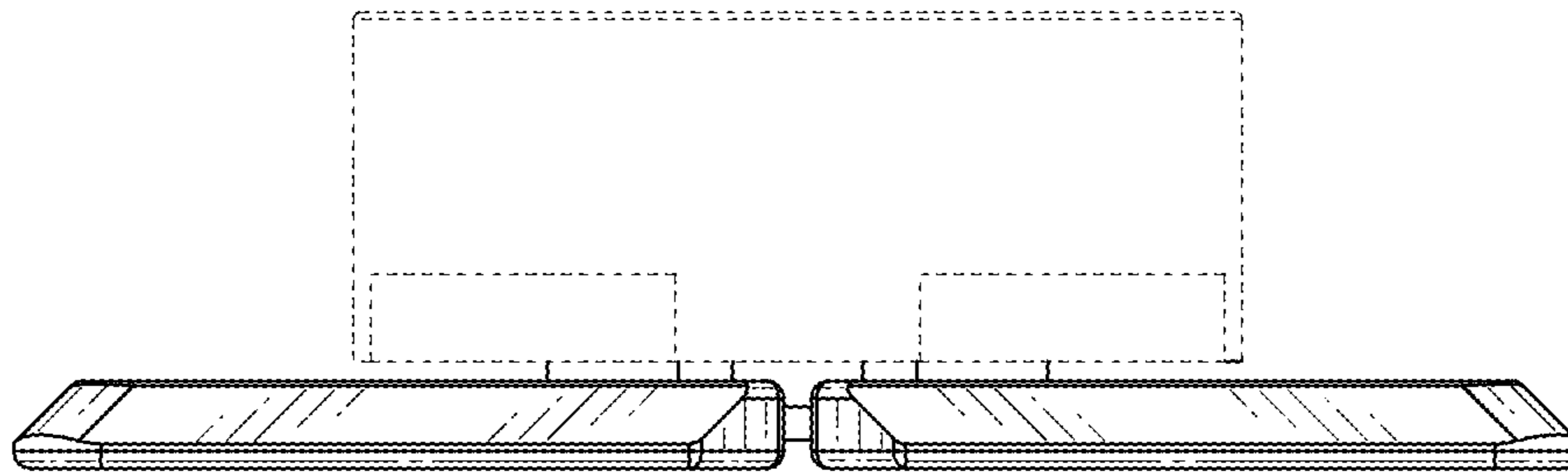


FIG. 3

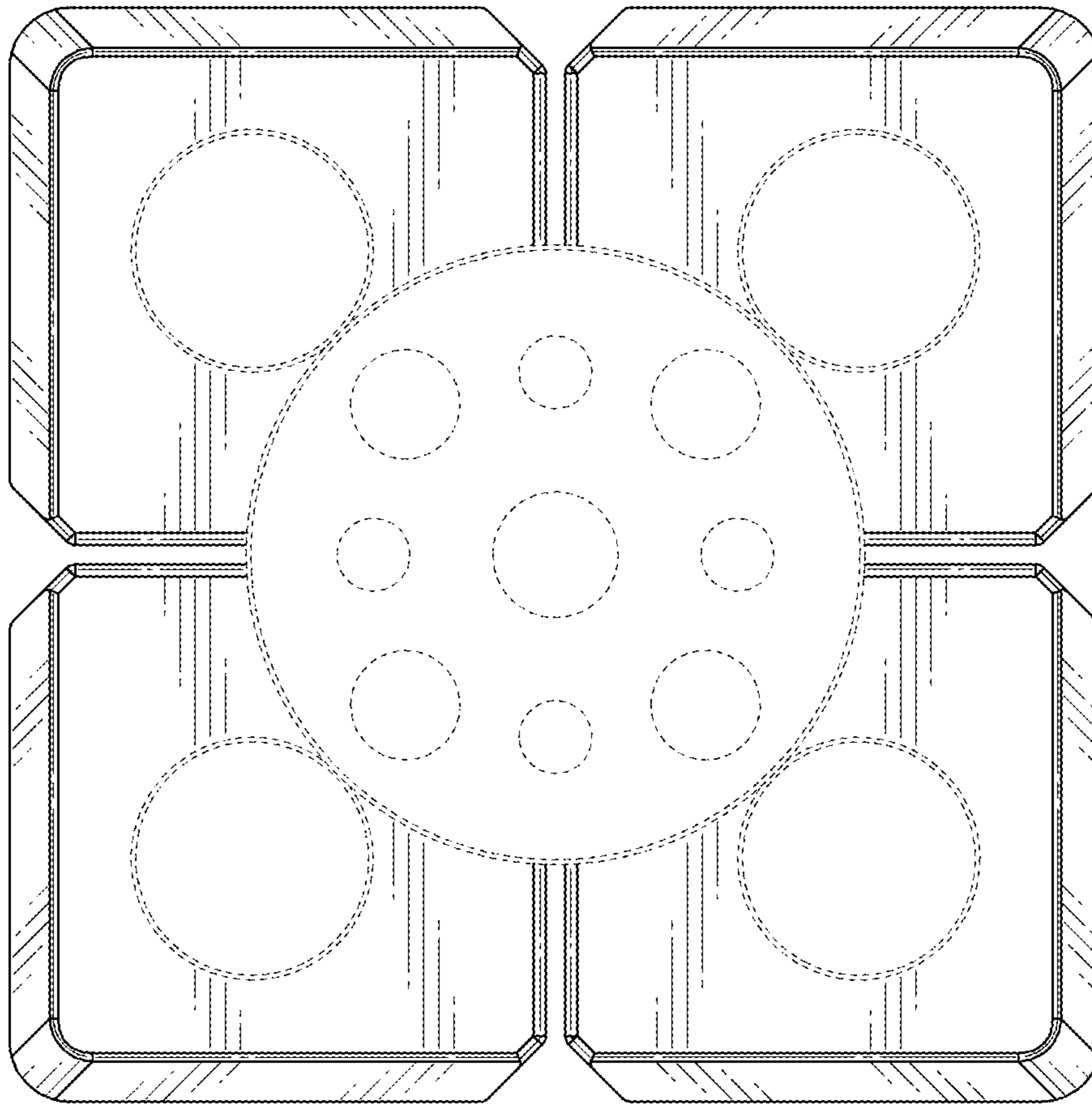


FIG. 4

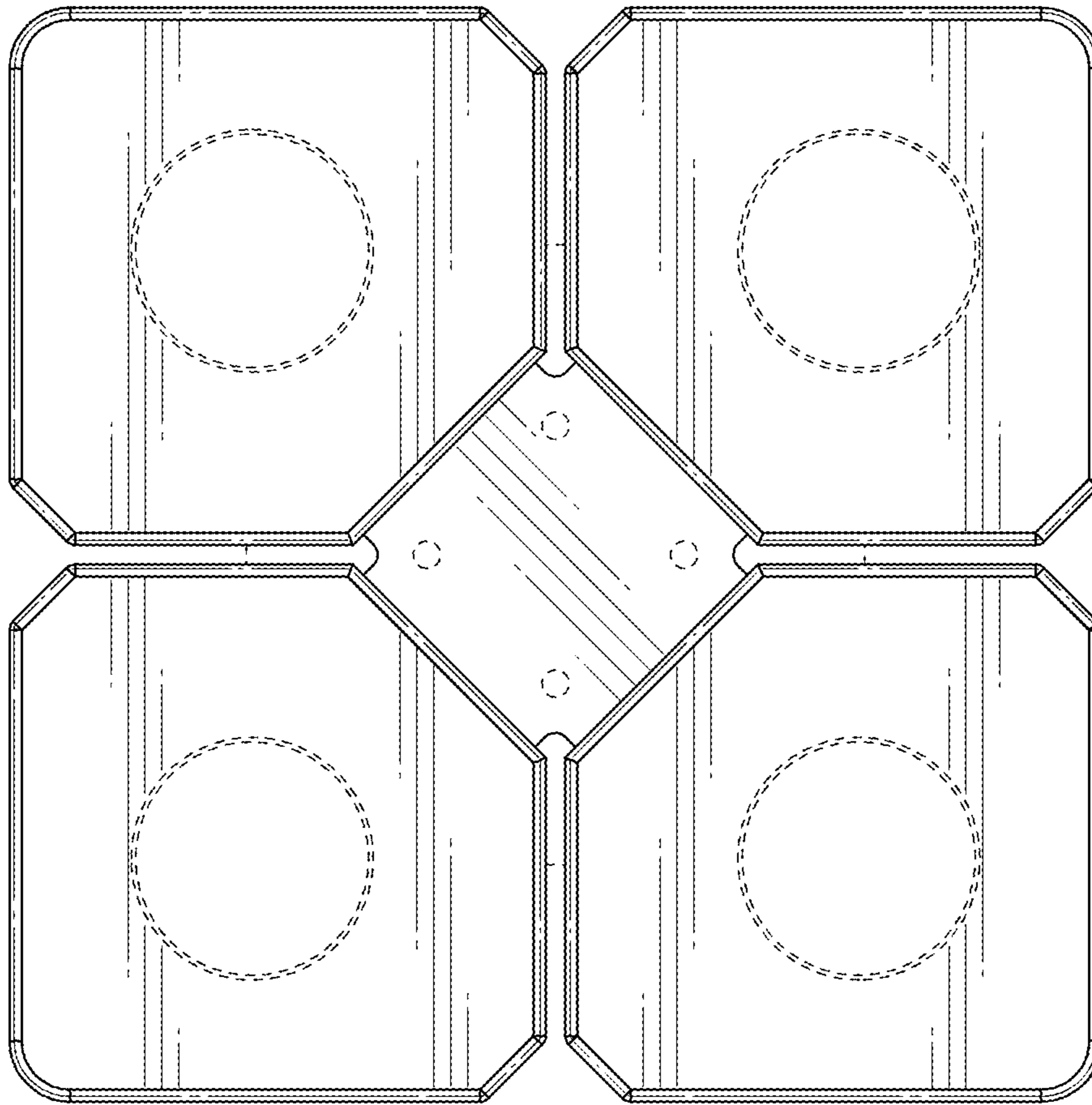


FIG. 5