



US00D952975S

(12) **United States Design Patent** (10) **Patent No.:** **US D952,975 S**
Yazvin et al. (45) **Date of Patent:** **** May 24, 2022**

(54) **CLEANING TOOL FOR A FOOD SLICER**

OTHER PUBLICATIONS

(71) Applicant: **Marmon Foodservice Technologies, Inc.**, Osseo, MN (US)
(72) Inventors: **Aleksandr Yazvin**, Glenview, IL (US);
Ryan Bauer, Wheaton, IL (US);
Christopher Lyons, LaGrange Park, IL (US)
(73) Assignee: **Marmon Foodservice Technologies, Inc.**, Osseo, MN (US)

Vollrath cleaning comb, Webstaurant website 2021, site visited Sep. 9, 2021, [https://www.webstaurantstore.com/vollrath-59924-cleaning-comb . . .*](https://www.webstaurantstore.com/vollrath-59924-cleaning-comb...)

(Continued)

Primary Examiner — John R Yeh
(74) *Attorney, Agent, or Firm* — Andrus Intellectual Property Law, LLP

(**) Term: **15 Years**

(57) **CLAIM**

(21) Appl. No.: **29/689,338**

The ornamental design for a cleaning tool for a food slicer, as shown and described.

(22) Filed: **Apr. 29, 2019**

(51) **LOC (13) Cl.** **07-05**

(52) **U.S. Cl.**

USPC **D32/46**

(58) **Field of Classification Search**

USPC D32/14, 15–16, 25, 46–49; D7/673, 381, D7/383, 412

CPC B08B 3/02; B26D 7/06

See application file for complete search history.

DESCRIPTION

(56) **References Cited**

U.S. PATENT DOCUMENTS

D45,189 S * 2/1914 Ford D7/644
2,485,521 A * 10/1949 Wendt A47J 43/288
294/7
D234,743 S * 4/1975 Anderson D32/49
D242,687 S 12/1976 Broberg, Jr.
D269,944 S * 8/1983 Young D32/40
D273,932 S 5/1984 Gates
D293,194 S * 12/1987 Kreth D7/673

(Continued)

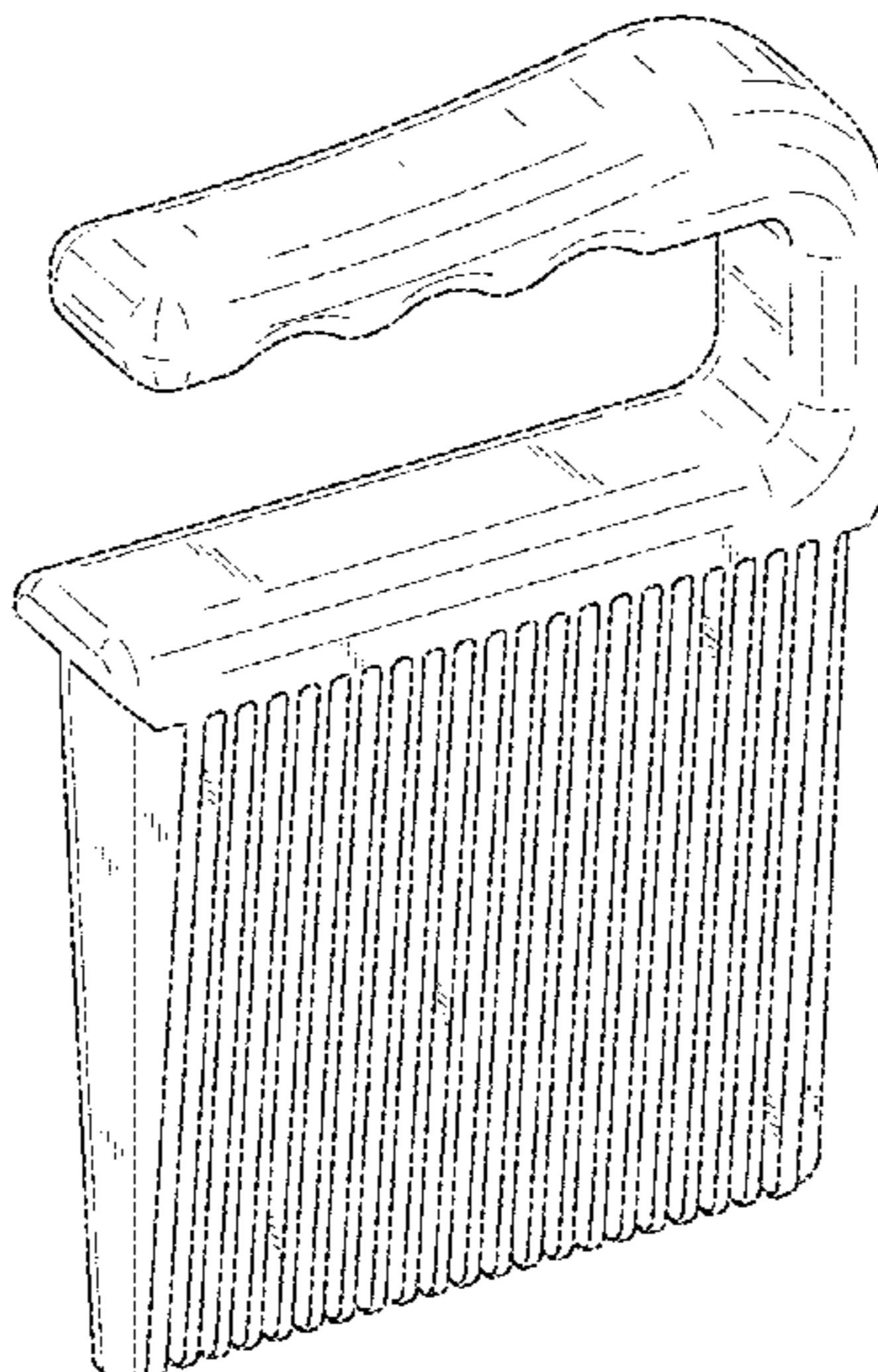
FOREIGN PATENT DOCUMENTS

EM 000038906-0001 10/2003
EM 001407969-0002 5/2014
KR 300834541.0000 1/2016

FIG. 1 is a left, top, front perspective view of an embodiment for our design for a cleaning tool for a food slicer;
FIG. 2 is a left side view thereof;
FIG. 3 is a right side view thereof;
FIG. 4 is a front view thereof;
FIG. 5 is a rear view thereof;
FIG. 6 is a top view thereof;
FIG. 7 is a bottom view thereof;
FIG. 8 is a left, top, rear perspective view of another embodiment of our design for a cleaning tool for a food slicer;
FIG. 9 is a left side view thereof;
FIG. 10 is a right side view thereof;
FIG. 11 is a front view thereof;
FIG. 12 is a rear view thereof;
FIG. 13 is a top view thereof; and,
FIG. 14 is a bottom view thereof.

The broken lines in the figures depict portions of the cleaning tool for a food slicer that form no part of the claimed design.

1 Claim, 6 Drawing Sheets



(56)

References Cited

U.S. PATENT DOCUMENTS

D296,076 S 6/1988 Neuenschwander
 D299,997 S 2/1989 Tucker et al.
 D311,126 S 10/1990 Crowley
 D317,250 S 6/1991 Shook et al.
 D321,962 S * 11/1991 Roma D32/49
 5,437,074 A 8/1995 White et al.
 D375,718 S 11/1996 Lazzeroni et al.
 D386,859 S 11/1997 Rostron
 D390,191 S * 2/1998 Byfield, Jr. D13/147
 D422,486 S 4/2000 Wolfe et al.
 D432,352 S * 10/2000 Giacomet D7/213
 D459,953 S 7/2002 Wang et al.
 D500,644 S * 1/2005 Cavanaugh D32/49
 D599,618 S * 9/2009 de Buyer D7/412
 D620,659 S 7/2010 Christie
 D623,371 S 9/2010 Li
 D652,692 S * 1/2012 De Buyer D7/672
 D665,656 S 8/2012 Anzelmo
 D695,477 S * 12/2013 Patterson D32/40
 D703,520 S 4/2014 Schopf
 D724,284 S 3/2015 Warner
 D732,255 S 6/2015 Edwins
 D732,741 S 6/2015 Bowling

D749,399 S 2/2016 Jenkins
 D751,869 S * 3/2016 Schoeman D7/673
 D759,328 S * 6/2016 Cleere D32/46
 9,427,109 B2 * 8/2016 Edwins A47J 37/0786
 D774,874 S 12/2016 Wentzel et al.
 D778,673 S * 2/2017 Fastabend D7/412
 D799,106 S 10/2017 Adams, IV et al.
 D802,238 S 11/2017 McBrady
 D813,482 S * 3/2018 Fastabend D32/46
 D817,572 S * 5/2018 Hall D32/46
 D840,124 S * 2/2019 Greenberger D32/46
 D860,314 S 9/2019 Morfa
 D860,566 S * 9/2019 Borovicka D32/46
 D901,809 S * 11/2020 De La Torre D32/46
 D902,641 S * 11/2020 Li D7/381
 D908,998 S * 1/2021 Fitch D32/46
 D912,356 S * 3/2021 Schneider D32/47

OTHER PUBLICATIONS

Kitchen SLicer, AMazon website date available Apr. 23, 2021, site visited Sep. 9, 2021, [https://www.amazon.com/Stainless-Cucumber-Assistant-Vegetable-Accessories/dp/B092D15KFW/ref=asc_df_B092D15KFW/?...*](https://www.amazon.com/Stainless-Cucumber-Assistant-Vegetable-Accessories/dp/B092D15KFW/ref=asc_df_B092D15KFW/?...)

* cited by examiner

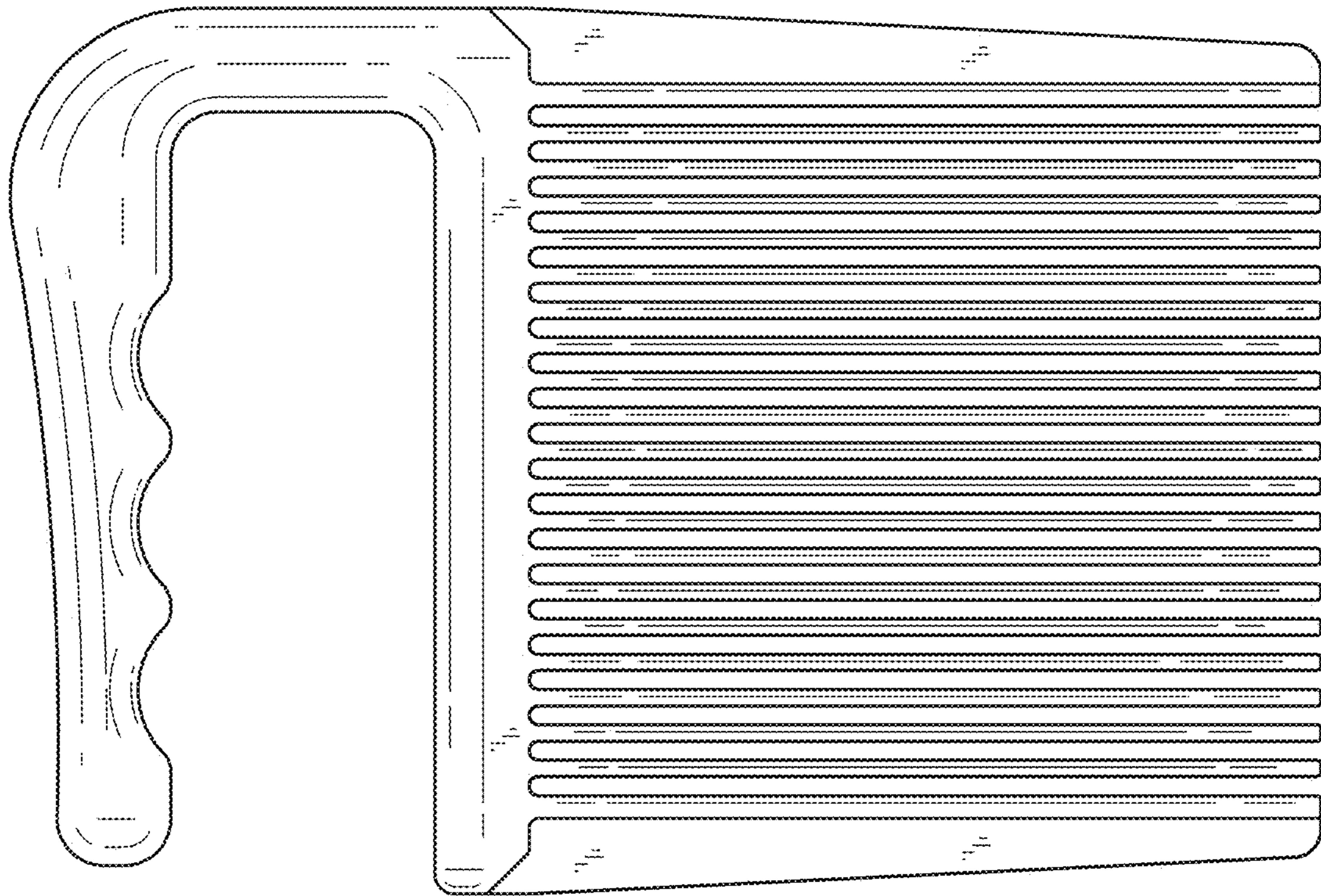


FIG. 2

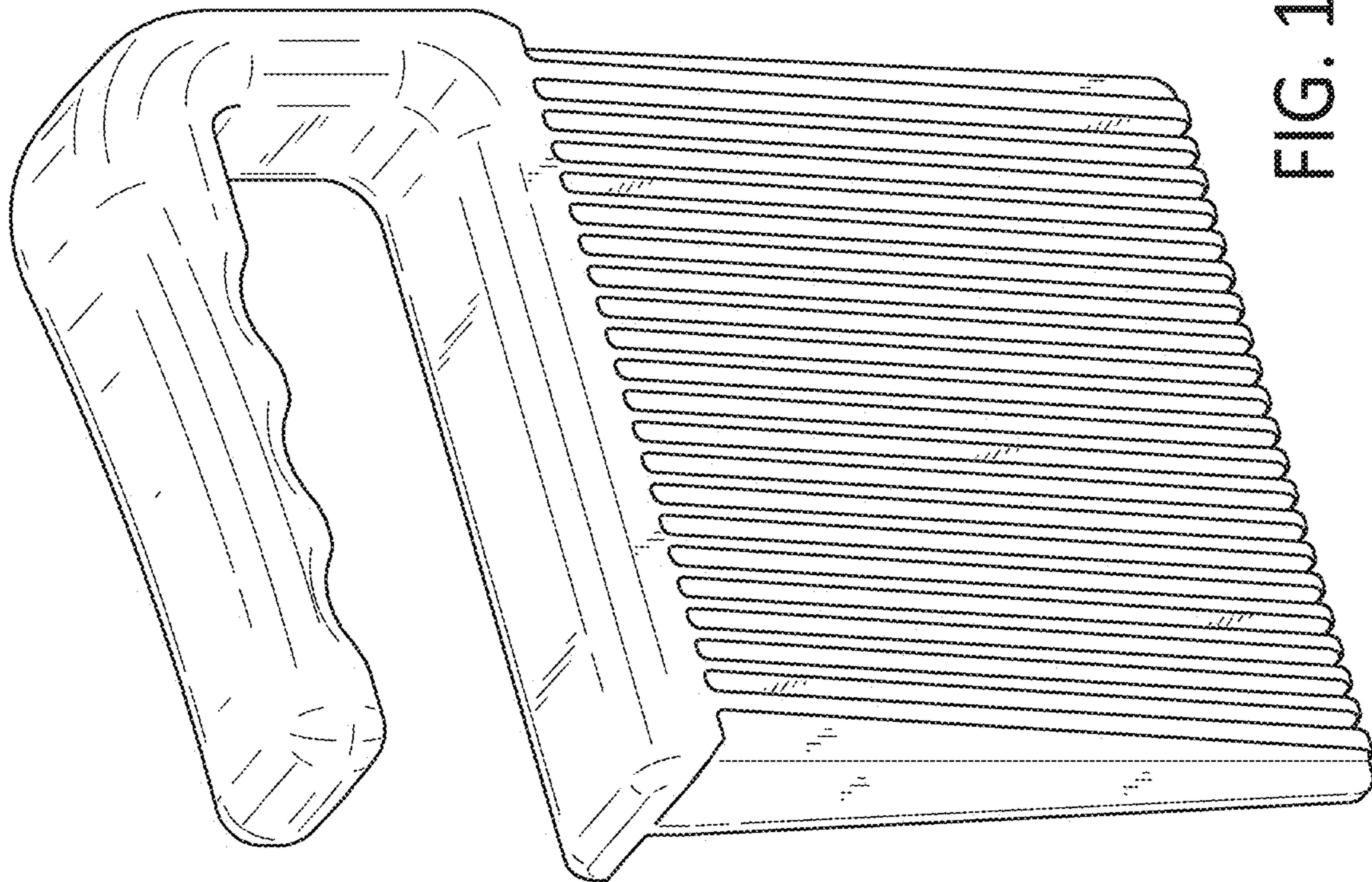


FIG. 1

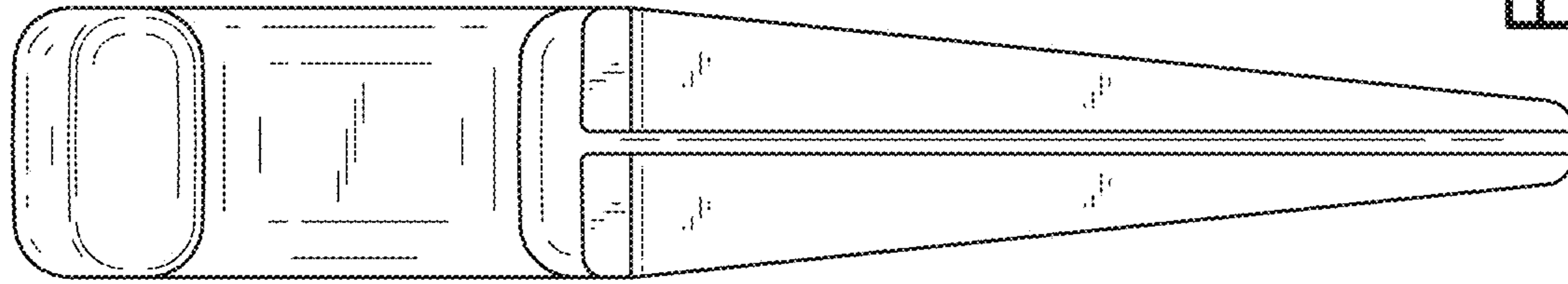


FIG. 4

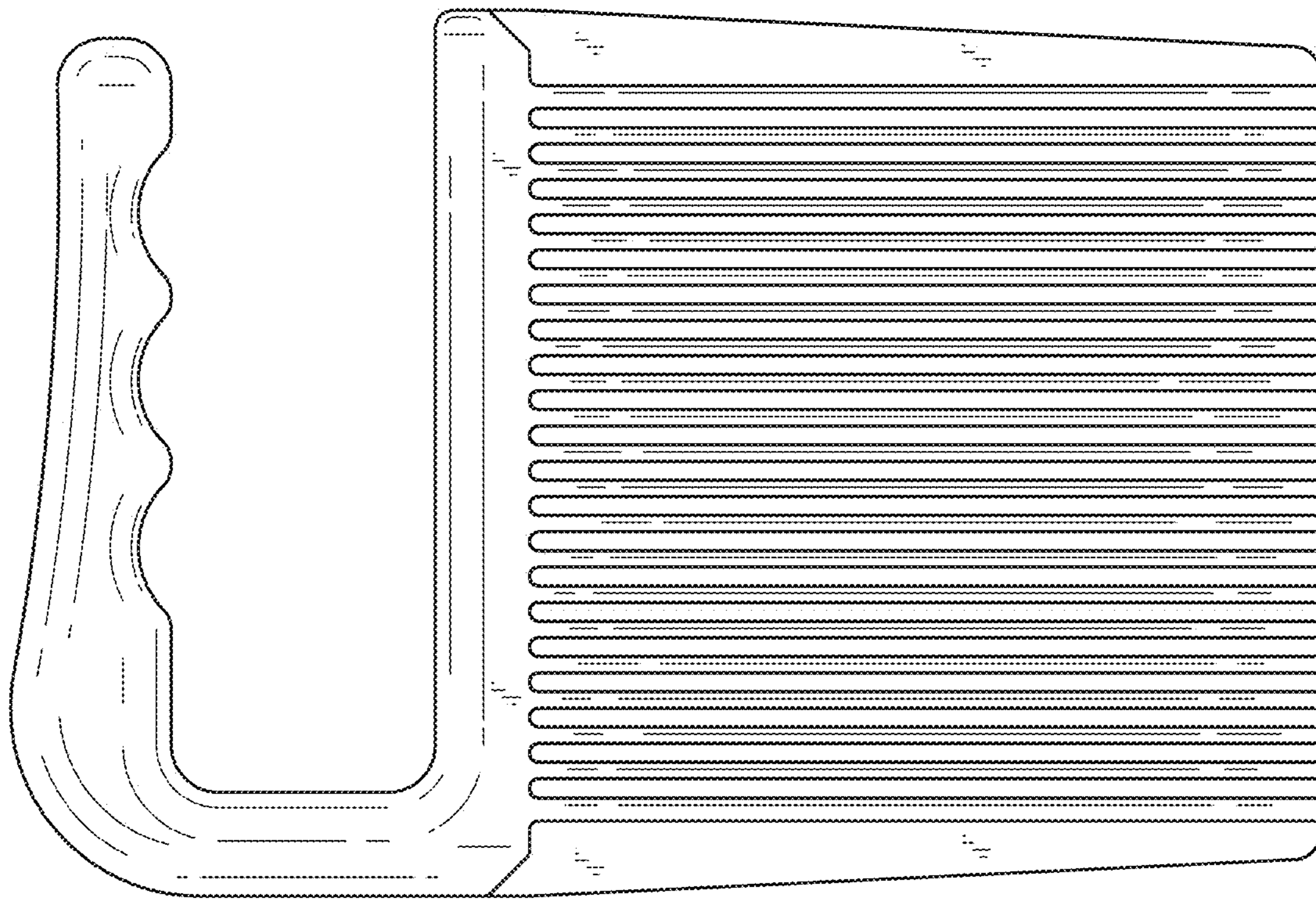


FIG. 3

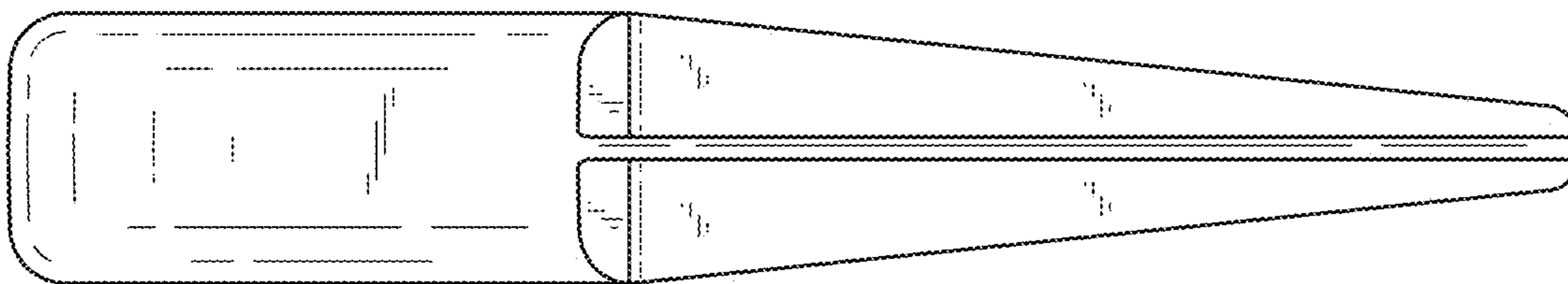


FIG. 5

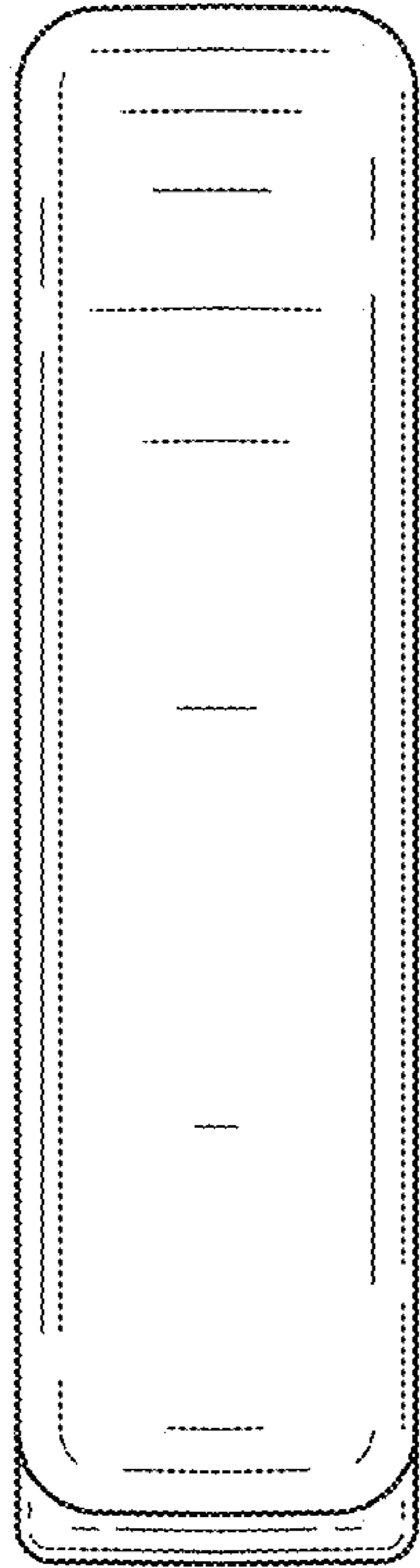


FIG. 6

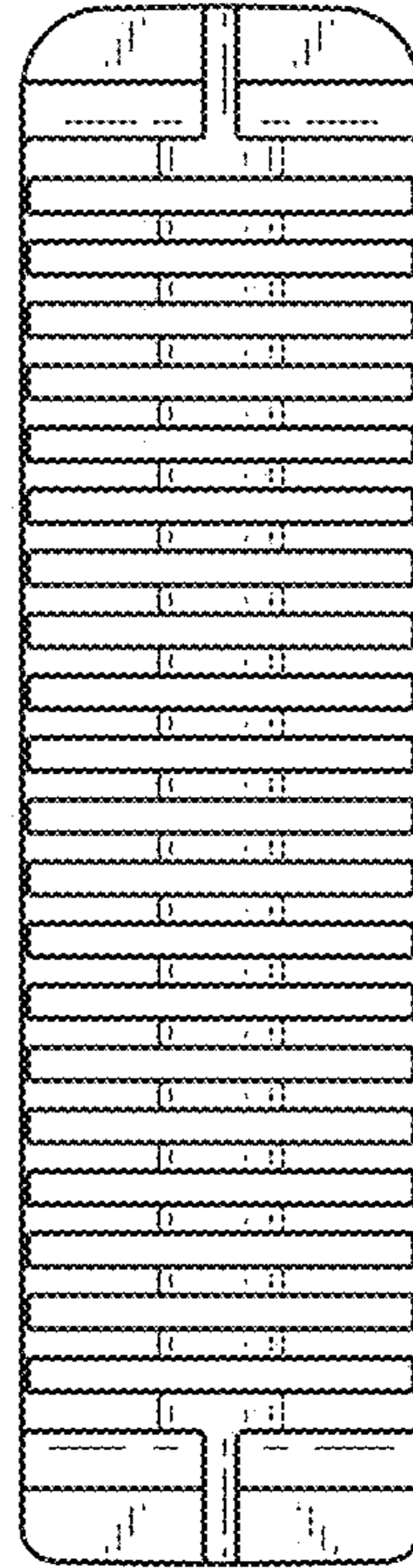


FIG. 7

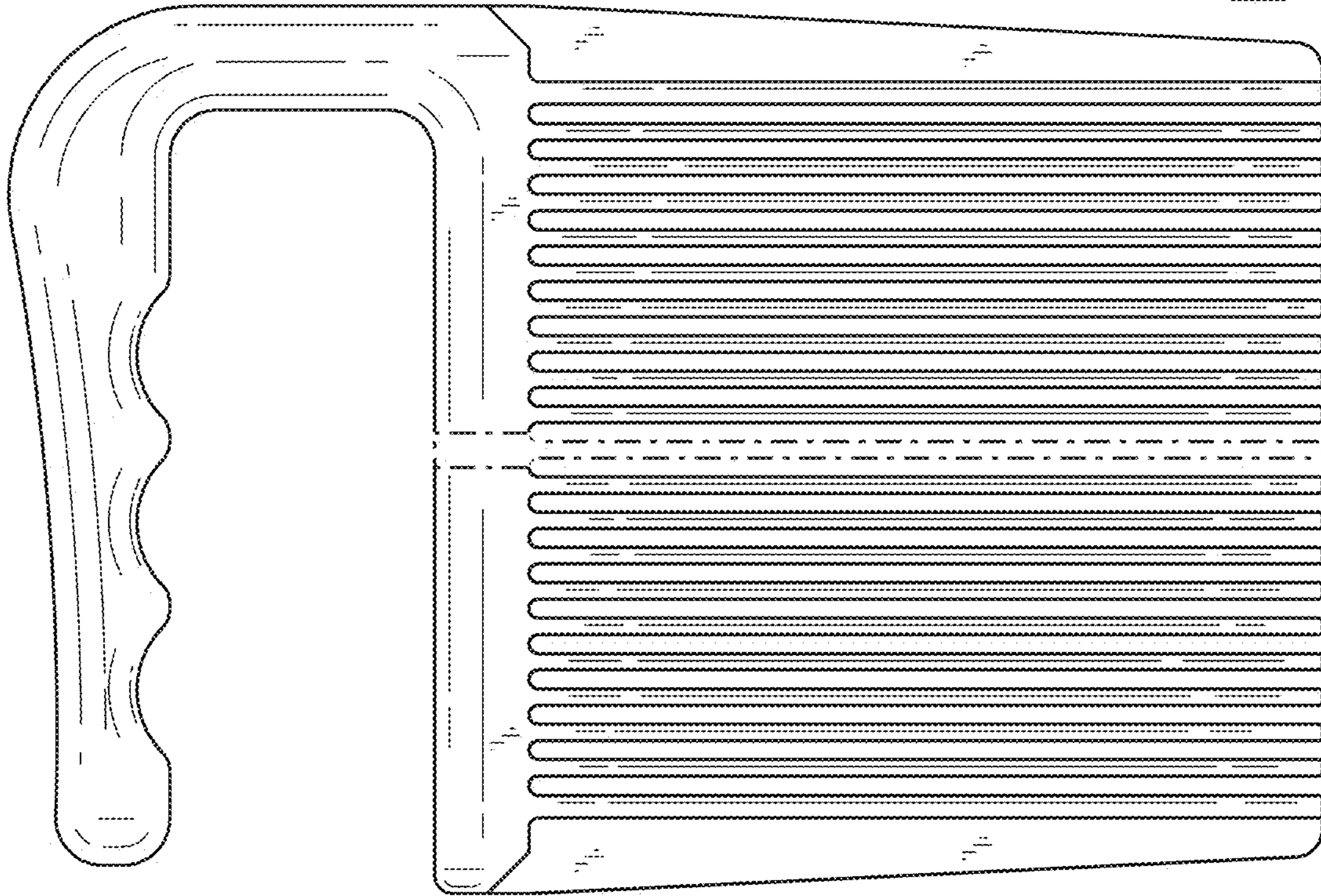


FIG. 9

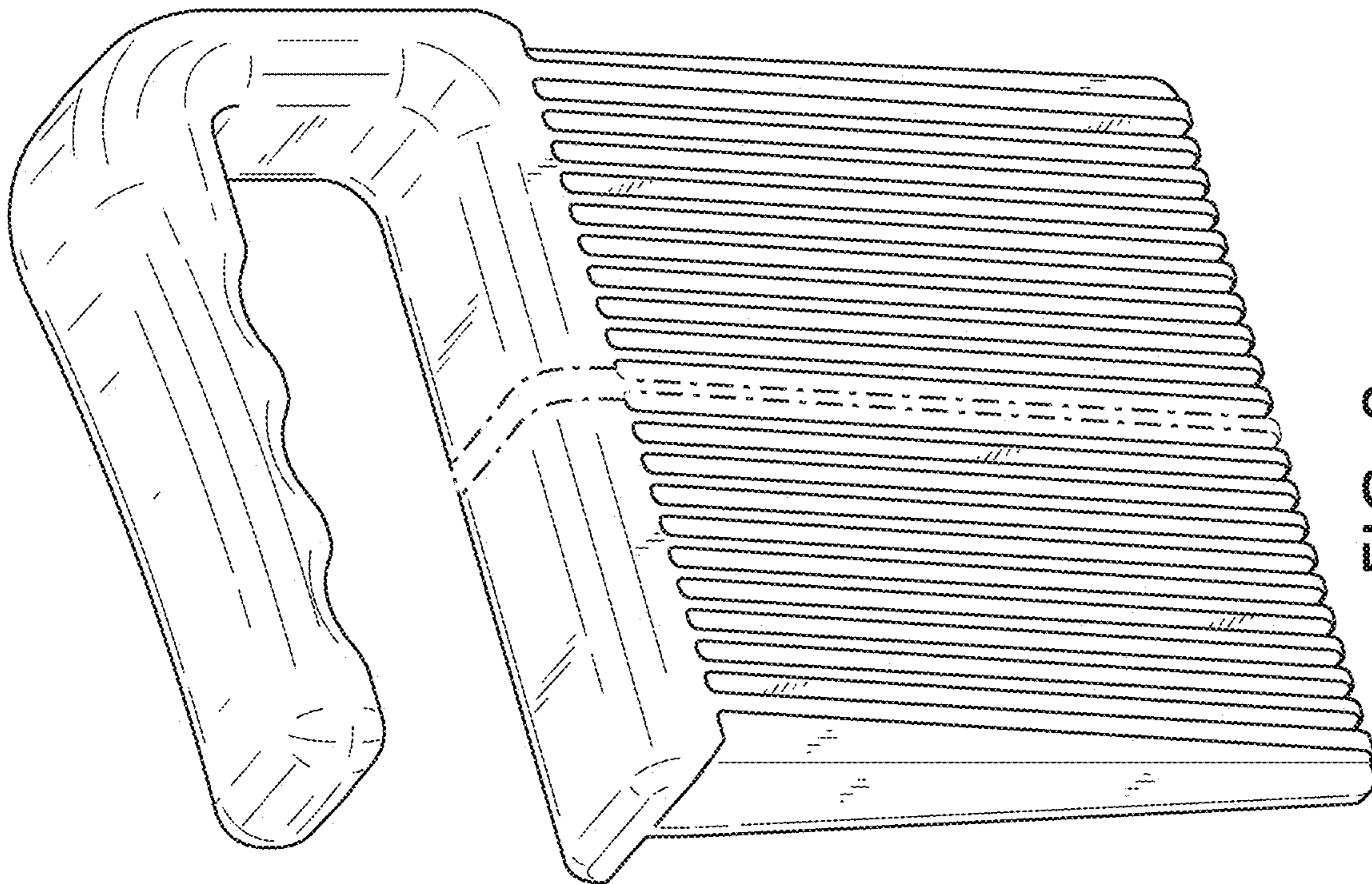


FIG. 8

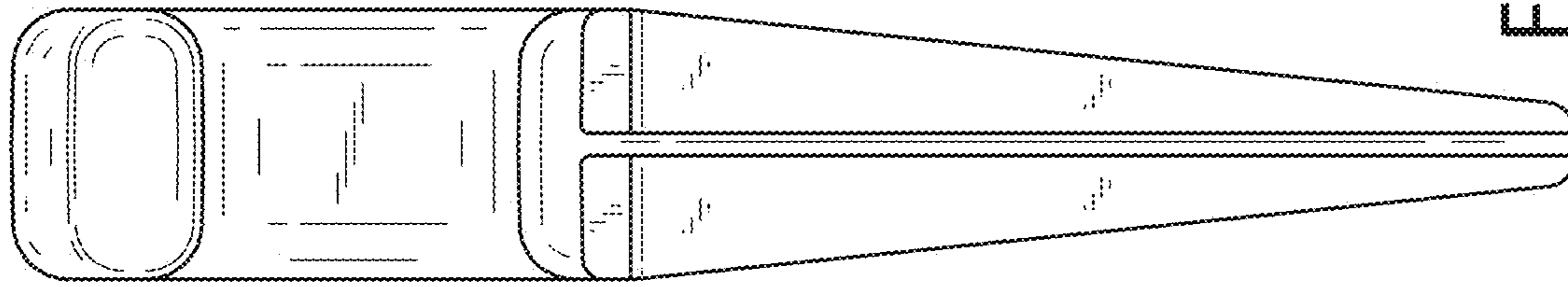


FIG. 11

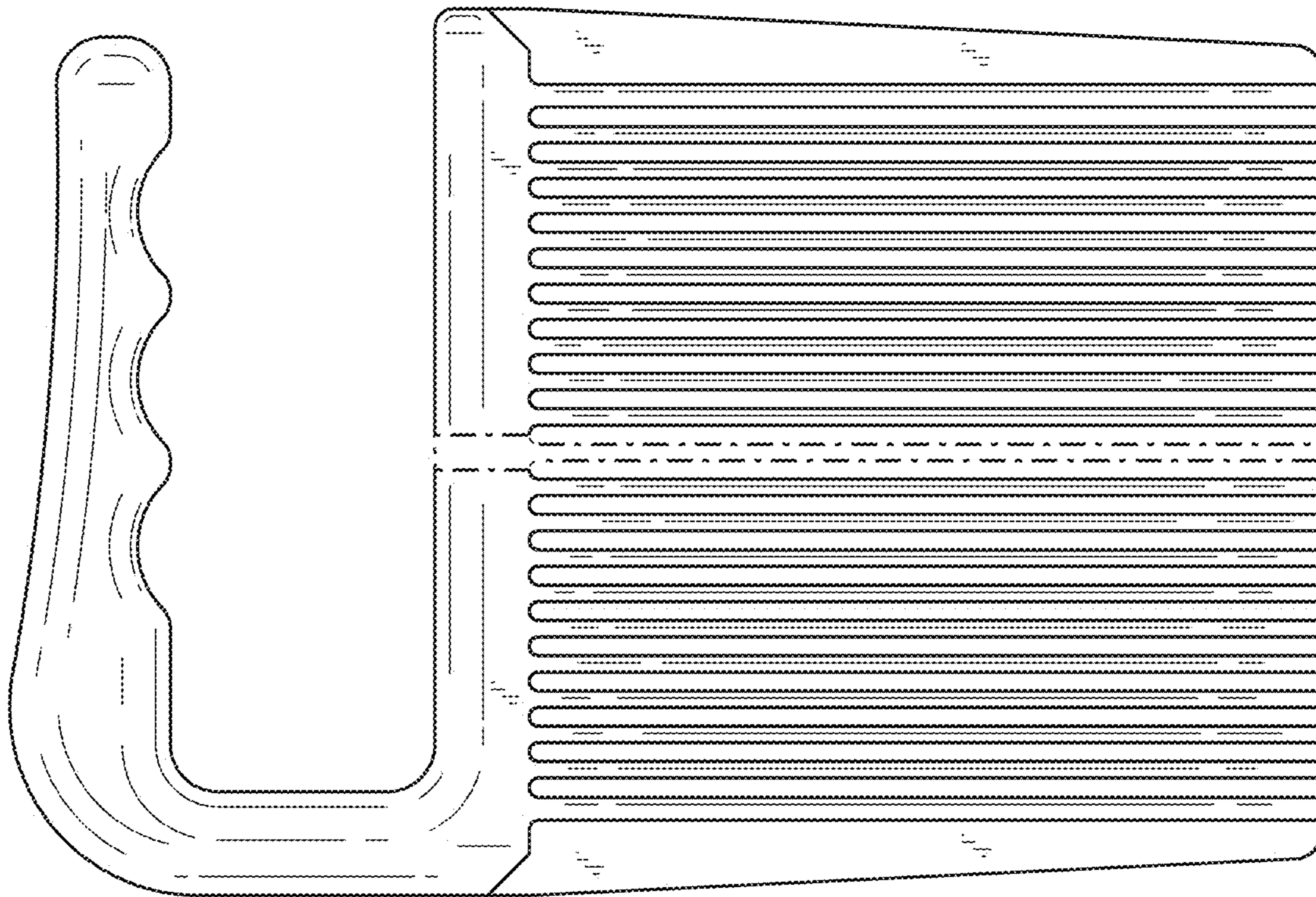


FIG. 10

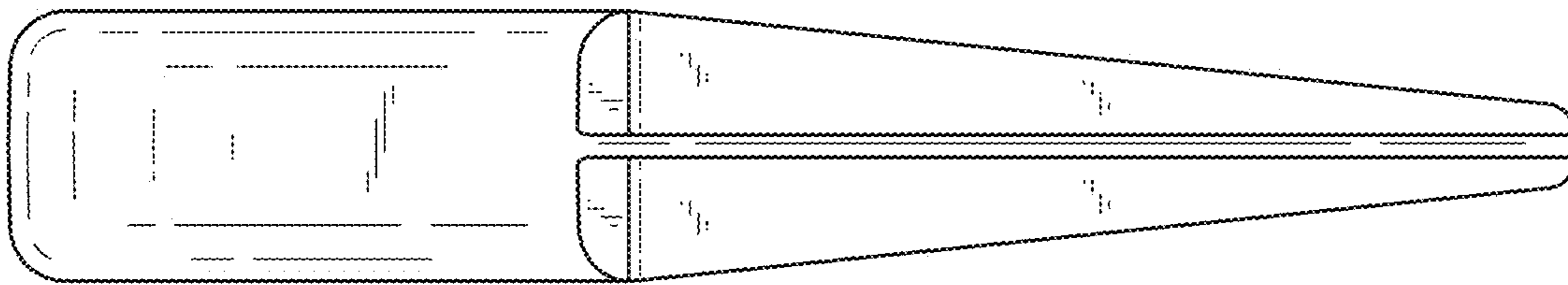


FIG. 12

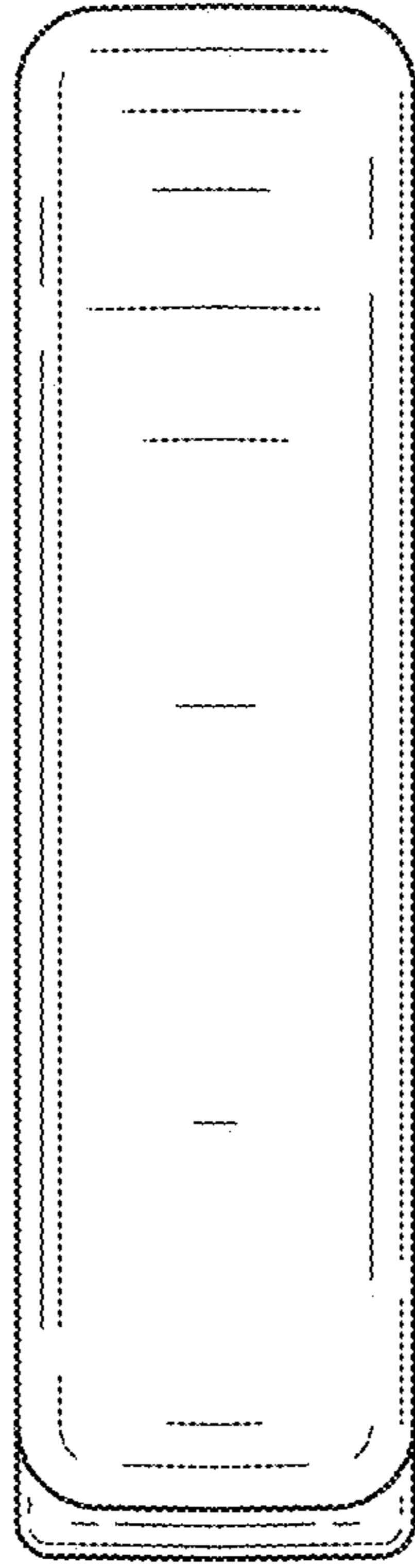


FIG. 13

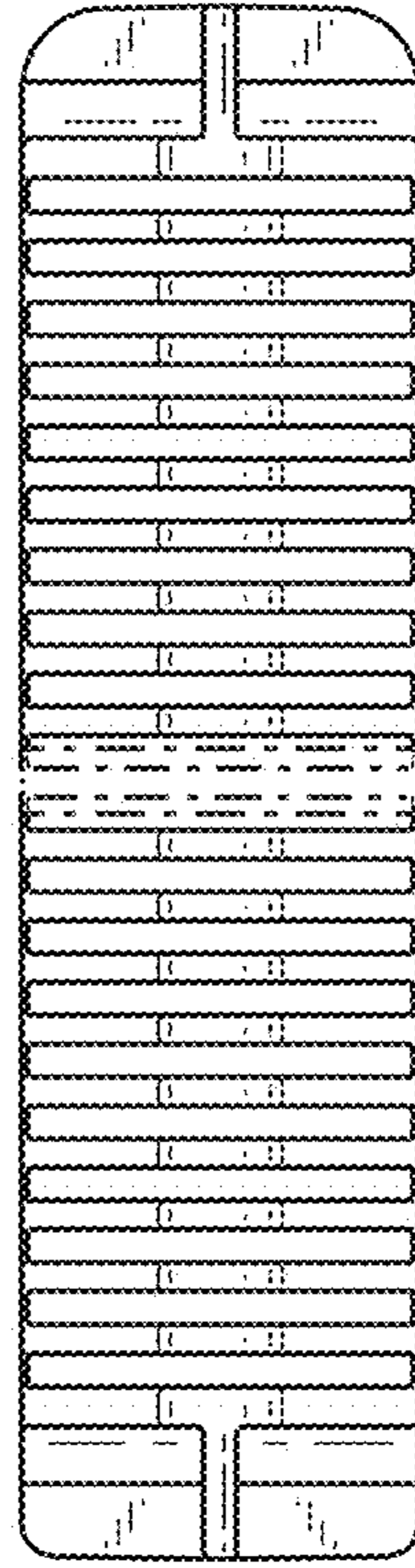


FIG. 14