



US00D952972S

(12) **United States Design Patent**  
**Rauchwerger**

(10) **Patent No.:** **US D952,972 S**

(45) **Date of Patent:** **\*\* May 24, 2022**

(54) **SKIMMER LID WITH SOLAR POWER WATER LEVEL CONTROL**

D938,120 S \* 12/2021 Gou ..... D32/35  
D938,680 S \* 12/2021 Tung ..... D32/35  
2013/0232929 A1\* 9/2013 Thomas ..... B01D 46/0046  
55/428

(71) Applicant: **Pentair Water Pool and Spa, Inc.,**  
Cary, NC (US)

FOREIGN PATENT DOCUMENTS

(72) Inventor: **George Rauchwerger,** Sunnyvale, CA  
(US)

GB 2093622 \* 8/2000

(73) Assignee: **Pentair Water Pool and Spa, Inc.,**  
Cary, NC (US)

OTHER PUBLICATIONS

(\*\*) Term: **15 Years**

Savior Skimmer lid, TIneye image date Aug. 14, 2017, site visited Jan. 5, 2022, [https://tineye.com/search/27694abb491df297c7d015898438084c8cccb962?sort=crawl\\_date&order=asc&page=1](https://tineye.com/search/27694abb491df297c7d015898438084c8cccb962?sort=crawl_date&order=asc&page=1).\*

(21) Appl. No.: **29/743,027**

Savior Skimmer lid, Natural Current website 2022, site visited Jan. 5, 2022, <https://www.naturalcurrent.com/savior-solar-skimmer-lid-ionizer-kit/>.\*

(22) Filed: **Jul. 17, 2020**

\* cited by examiner

(51) **LOC (13) Cl.** ..... **15-05**

(52) **U.S. Cl.**  
USPC ..... **D32/37**

*Primary Examiner* — John R Yeh

(58) **Field of Classification Search**  
USPC ..... D32/35, 40-43; D4/116  
CPC . A47L 13/10; A47L 13/12; C02F 1/00; H01L 25/00  
See application file for complete search history.

(74) *Attorney, Agent, or Firm* — Husch Blackwell LLP

(57) **CLAIM**

The ornamental design for a skimmer lid with solar power water level control, as shown and described.

(56) **References Cited**

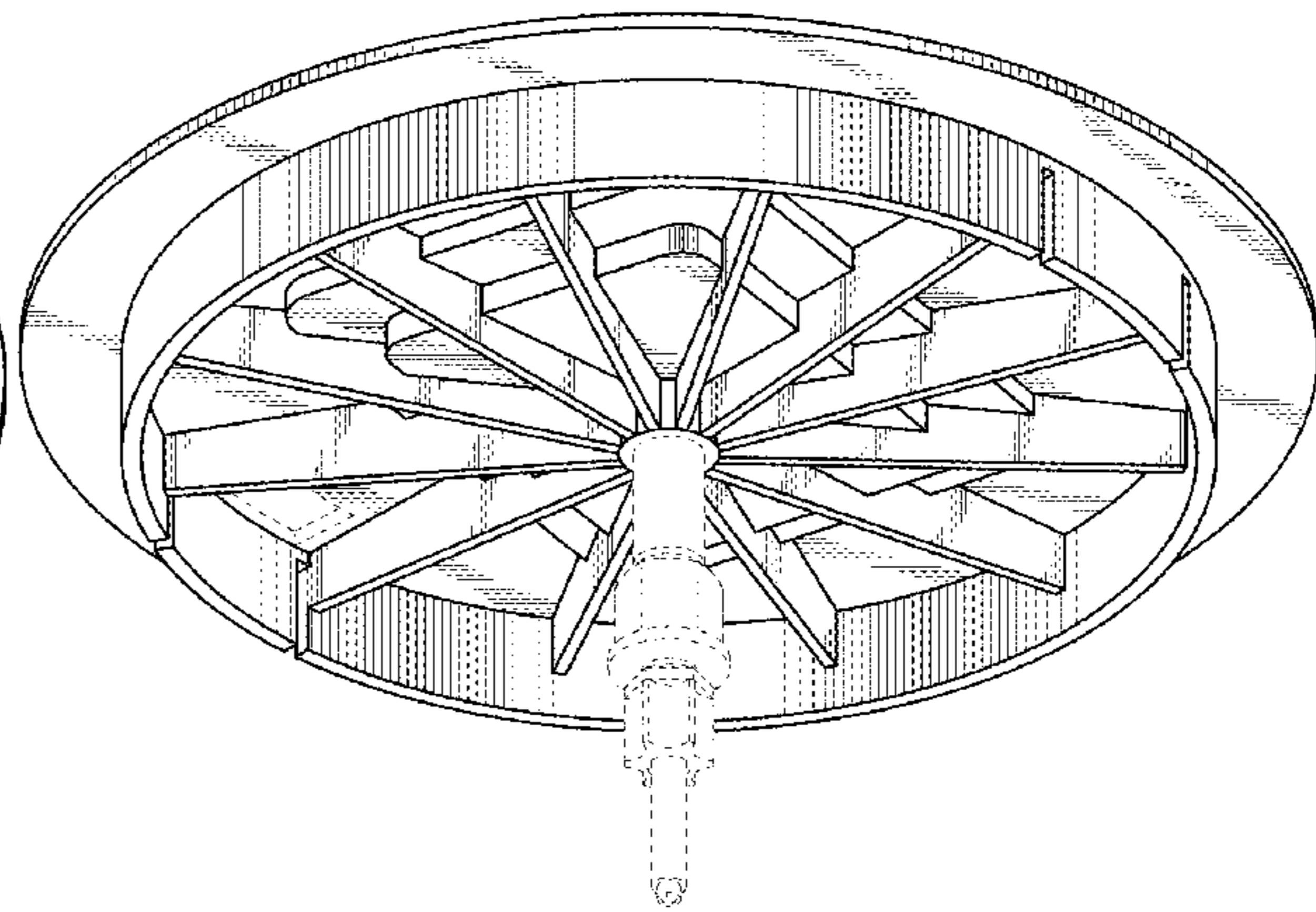
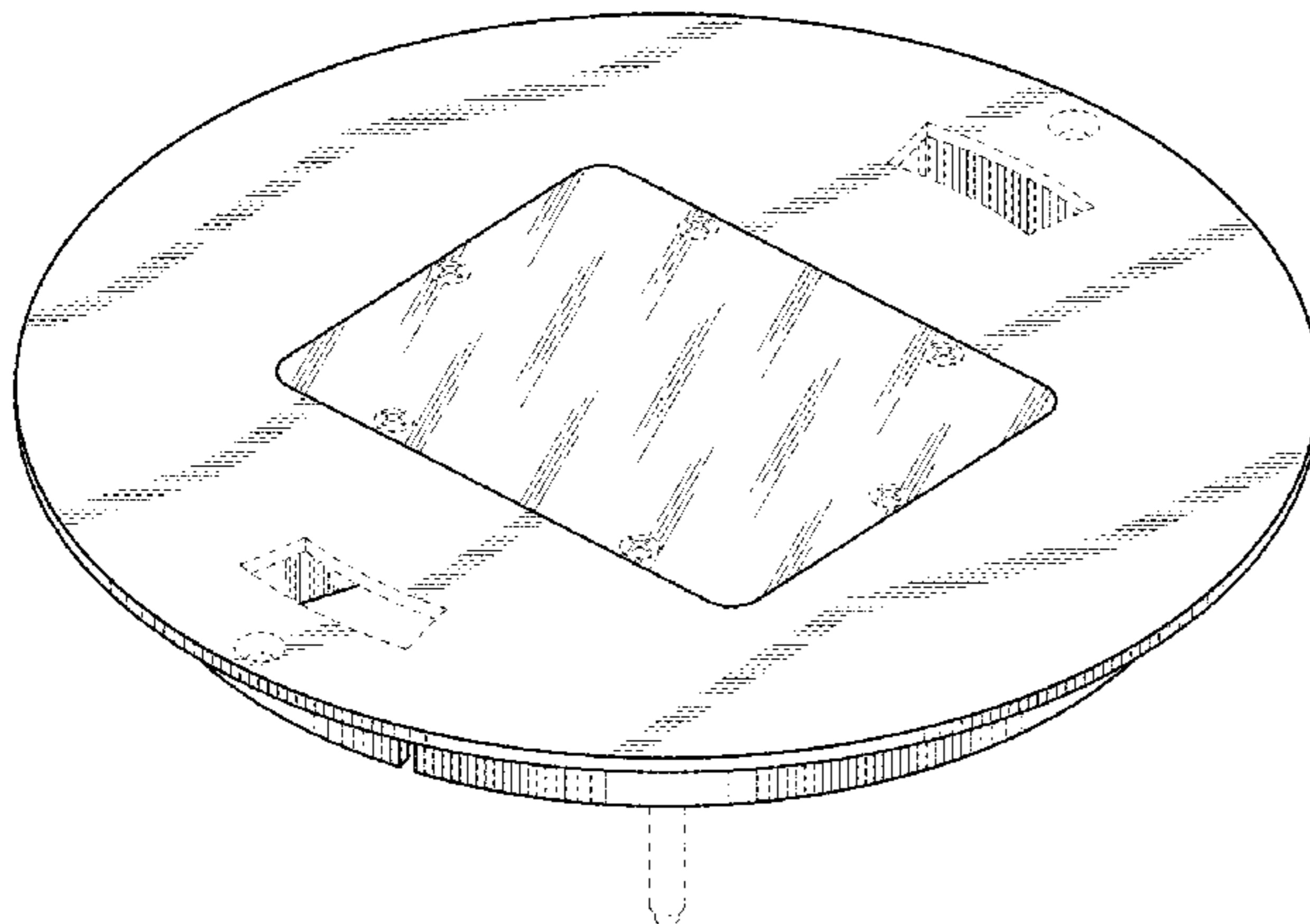
**DESCRIPTION**

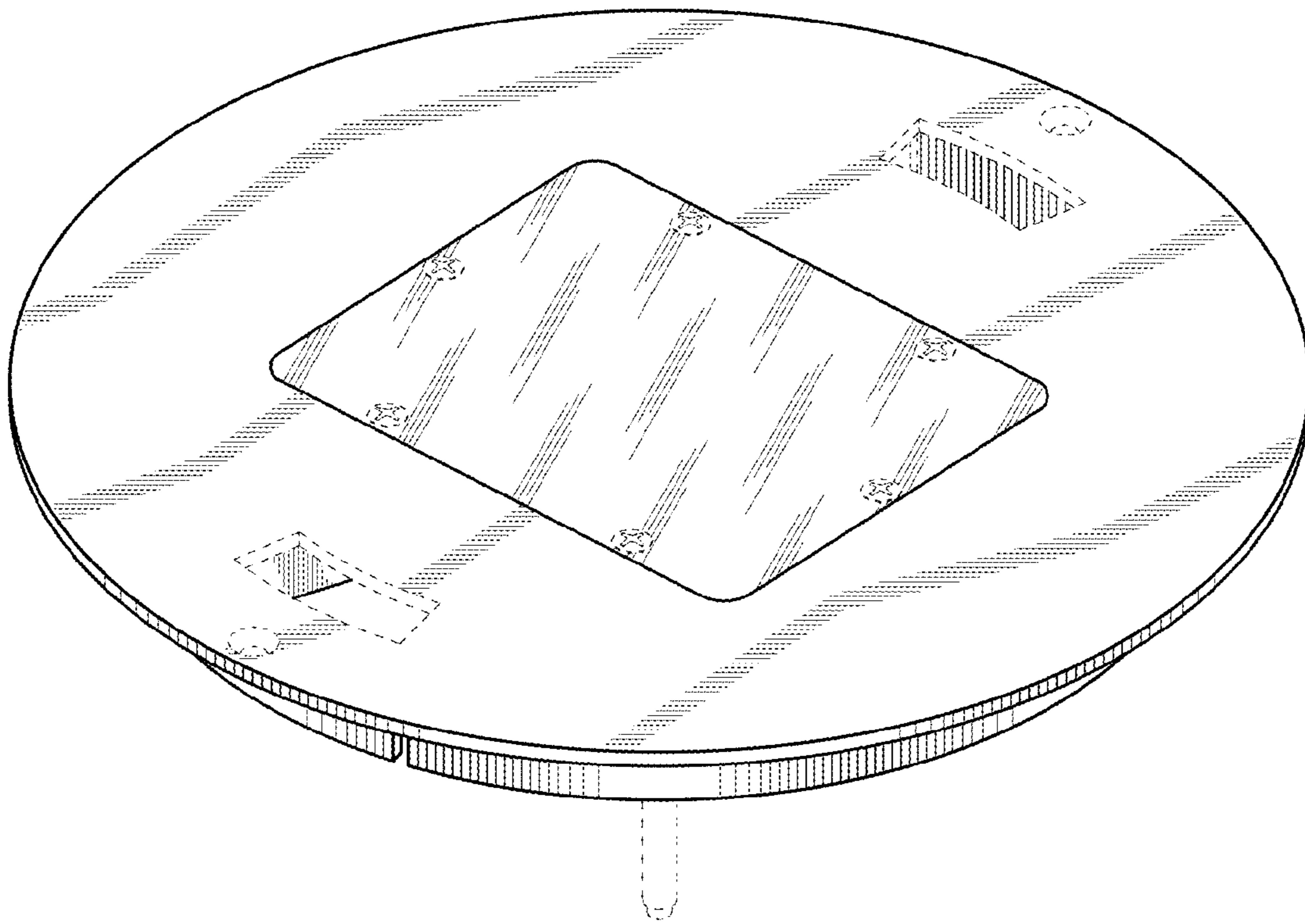
U.S. PATENT DOCUMENTS

- D349,792 S \* 8/1994 Mulholland ..... D32/35
- D568,566 S \* 5/2008 Gabbour ..... D32/40
- D638,182 S \* 5/2011 Rossano ..... D32/35
- D779,140 S \* 2/2017 Lim ..... D32/35
- D802,237 S \* 11/2017 Huang ..... D32/35
- D824,619 S \* 7/2018 Weiss ..... D32/35
- D830,025 S \* 10/2018 Huang ..... D32/35
- D837,471 S \* 1/2019 Sirco ..... E04H 4/1272  
D32/35
- 10,228,273 B1 3/2019 Rauchwerger
- D848,694 S \* 5/2019 Antler ..... D32/35
- D916,406 S \* 4/2021 Chen ..... D32/35

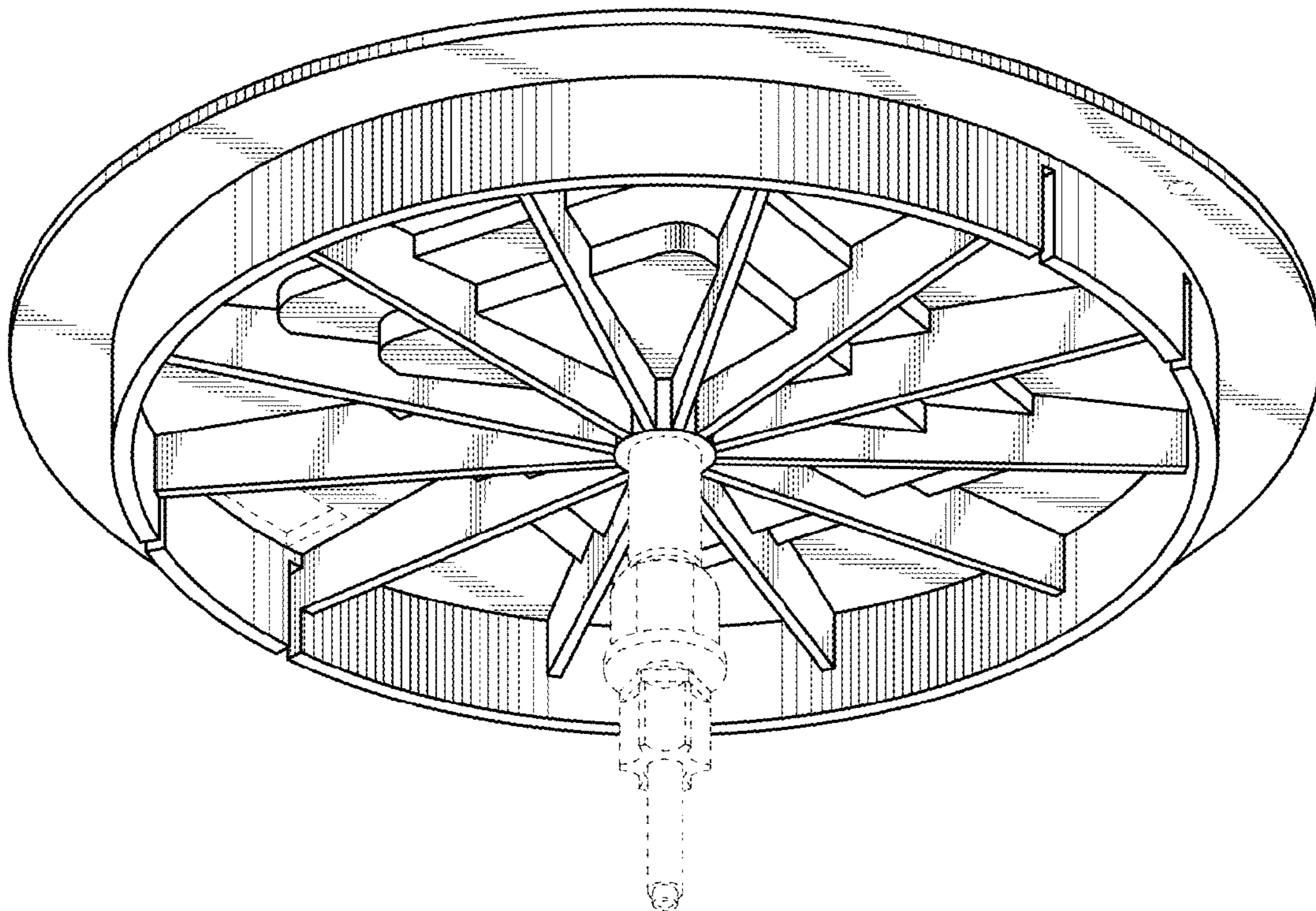
FIG. 1 is a perspective view from above of a skimmer lid with solar power water level control;  
FIG. 2 is a perspective view from below of the invention;  
FIG. 3 is a top plan view of the invention;  
FIG. 4 is a front elevation view of the invention the rear elevation view being a mirror image;  
FIG. 5 is a right side view of the invention, the left side view being a mirror image; and,  
FIG. 6 is a bottom plan view of the invention.  
In the drawings, the broken lines illustrate features that form no part of the claimed design.

**1 Claim, 3 Drawing Sheets**



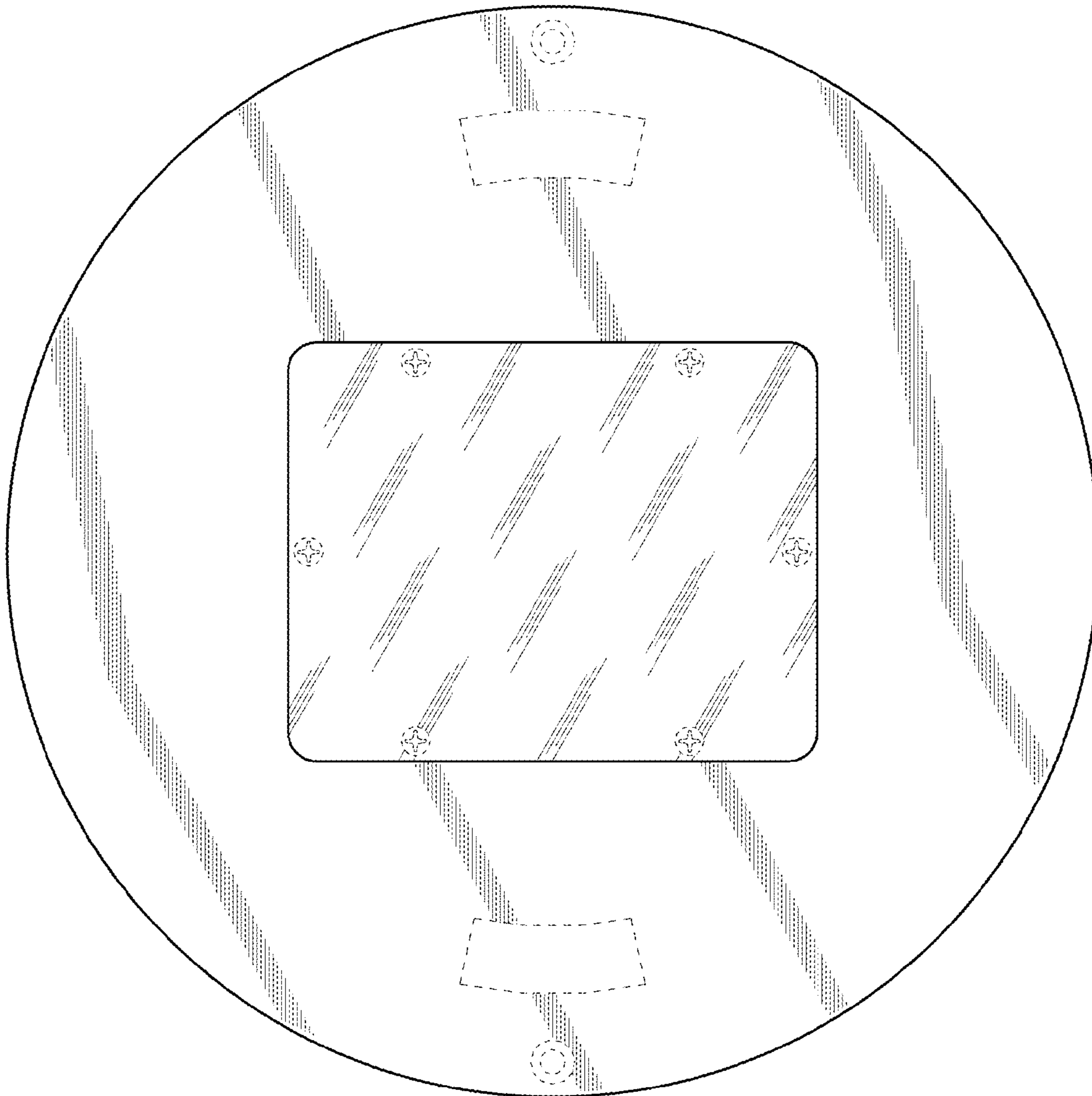


*Fig.1*

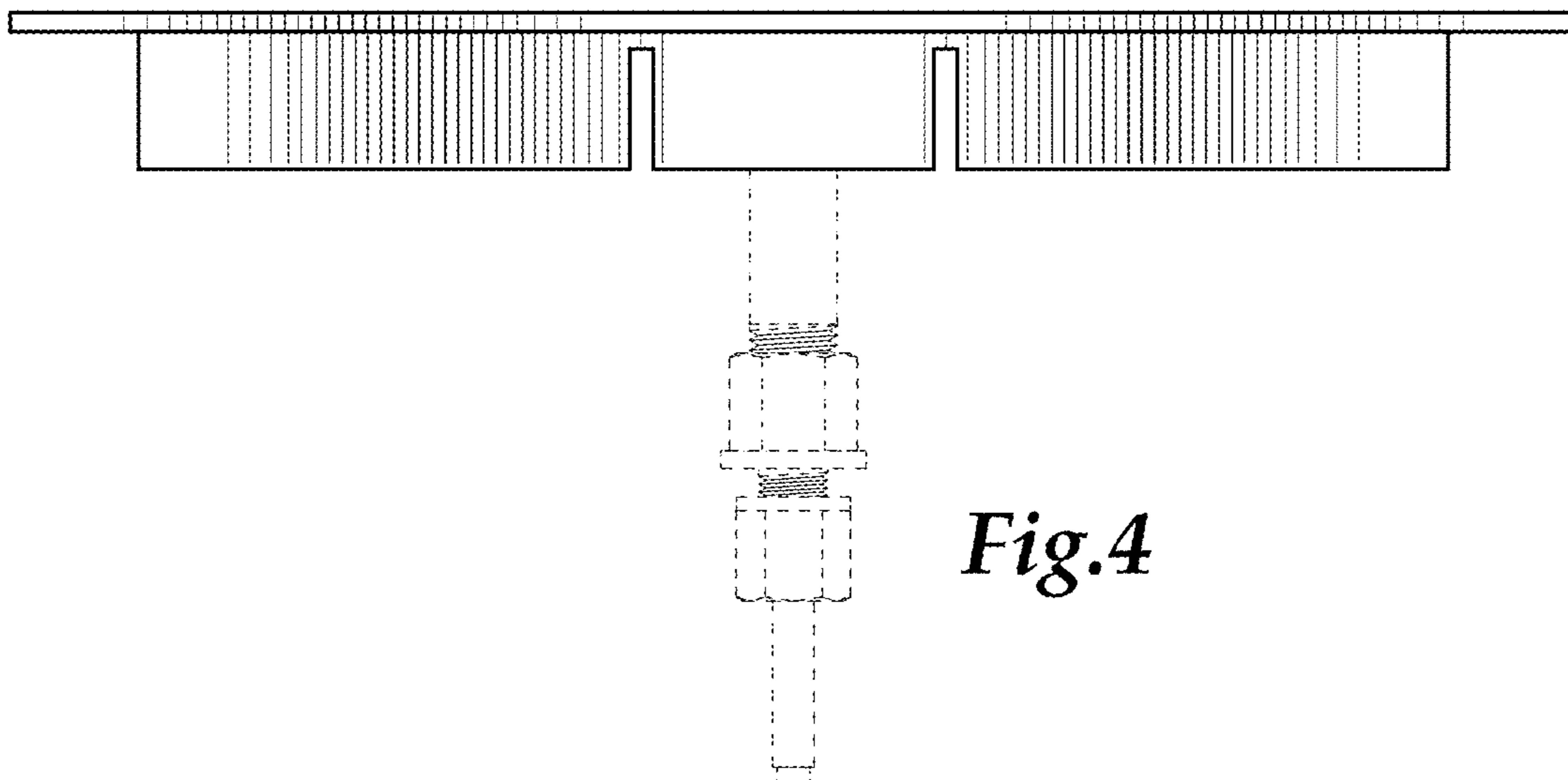


*Fig.2*

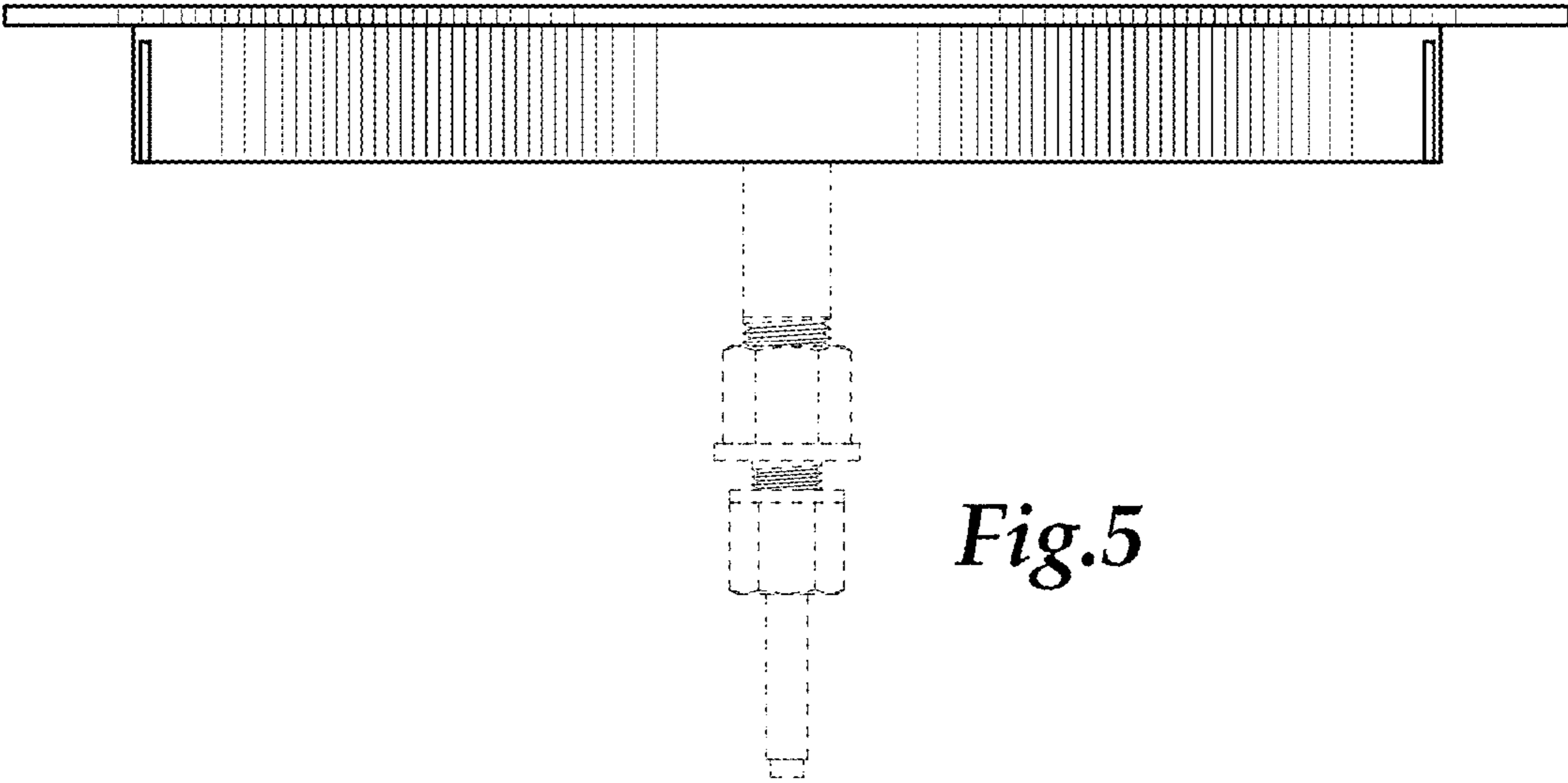




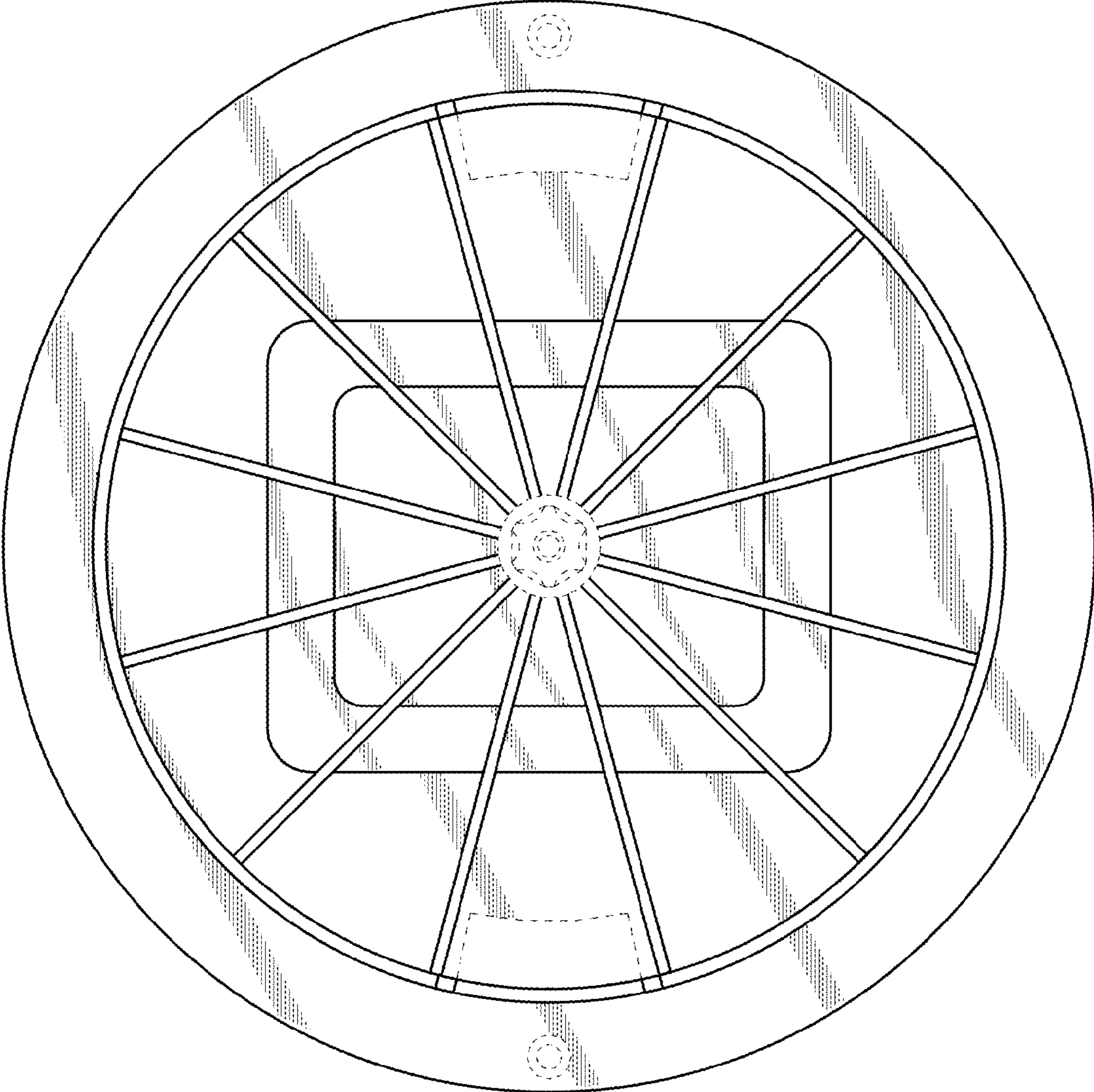
*Fig.3*



*Fig.4*



*Fig.5*



*Fig.6*