



US00D952971S

(12) **United States Design Patent** (10) **Patent No.:** **US D952,971 S**  
**Wang** (45) **Date of Patent:** **\*\* May 24, 2022**

(54) **LAUNDRY BAG**

(71) Applicant: **Wei-Cheng Wang**, Taipei (TW)

(72) Inventor: **Wei-Cheng Wang**, Taipei (TW)

(\*\*) Term: **15 Years**

(21) Appl. No.: **29/718,623**

(22) Filed: **Dec. 26, 2019**

(51) **LOC (13) Cl.** ..... **08-99**

(52) **U.S. Cl.**  
USPC ..... **D32/36; D32/37**

(58) **Field of Classification Search**  
USPC ..... D32/35, 36, 37; D3/244–245, 304, 316;  
D9/703, 706

CPC ..... B62B 1/006; B62B 3/16; D06F 95/002

See application file for complete search history.

(56) **References Cited**

**U.S. PATENT DOCUMENTS**

D450,926 S	*	11/2001	Dickinson	.....	D3/304
D535,822 S	*	1/2007	Smith	.....	D3/304
D598,196 S	*	8/2009	Vreeland	.....	D3/304
D649,220 S	*	11/2011	Vreeland	.....	D23/209
D690,891 S	*	10/2013	Barre	.....	D32/37
D747,101 S	*	1/2016	Goodman	.....	D3/304
D774,762 S	*	12/2016	Aller	.....	D3/304
D820,552 S	*	6/2018	Duvigneau	.....	D34/37
D824,621 S	*	7/2018	Duvigneau	.....	D32/37
D831,920 S	*	10/2018	Duvigneau	.....	D32/37
D874,770 S	*	2/2020	Sanchez-Vizcaino	.....	B65D 29/00
					D32/37
D895,293 S	*	9/2020	Joyce	.....	D3/312
D906,611 S	*	12/2020	Tsui	.....	D3/307

**FOREIGN PATENT DOCUMENTS**

CA	151568	*	4/2014
GB	6117850	*	2/2021
GB	6125311	*	3/2021

**OTHER PUBLICATIONS**

INDRESSME XXX Large Cotton Rope Basket, available in Amazon.ca, date first available Jan. 14, 2019 [online], [site visited Feb. 8, 2022], Available from the internet URL: [https://www.amazon.ca/dp/B07MMPFQCK/ref=sspa\\_dk\\_detail\\_6?](https://www.amazon.ca/dp/B07MMPFQCK/ref=sspa_dk_detail_6?) (Year: 2019).\*

Goodpick Large Laundry Hamper, available in Amazon.ca, date first available Jan. 14, 2019 [online], [site visited Feb. 8, 2022], Available from the internet URL: [https://www.amazon.ca/Goodpick-Laundry-Hamper-Farmhouse-Gracery/dp/B0811PRVR4/ref=pd\\_sbs\\_1/138-8660885-0687965?](https://www.amazon.ca/Goodpick-Laundry-Hamper-Farmhouse-Gracery/dp/B0811PRVR4/ref=pd_sbs_1/138-8660885-0687965?) (Year: 2019).\*

Mind Reader Laundry Basket, available in lowes.com, customer review oldest date Jun. 27, 2021 [online], [site visited Feb. 8, 2022], Available from the internet URL: <https://www.lowes.com/pd/Mind-Reader-Mind-Reader-40-Liter-Laundry-Basket-Laundry-Basket-Storage-Basket-Bathroom-Bedroom-Home-Grey/1002854704> (Year: 2021).\*

\* cited by examiner

*Primary Examiner* — Amy C Wierenga  
*Assistant Examiner* — Jennylou M Binas

(74) *Attorney, Agent, or Firm* — Leong C. Lei

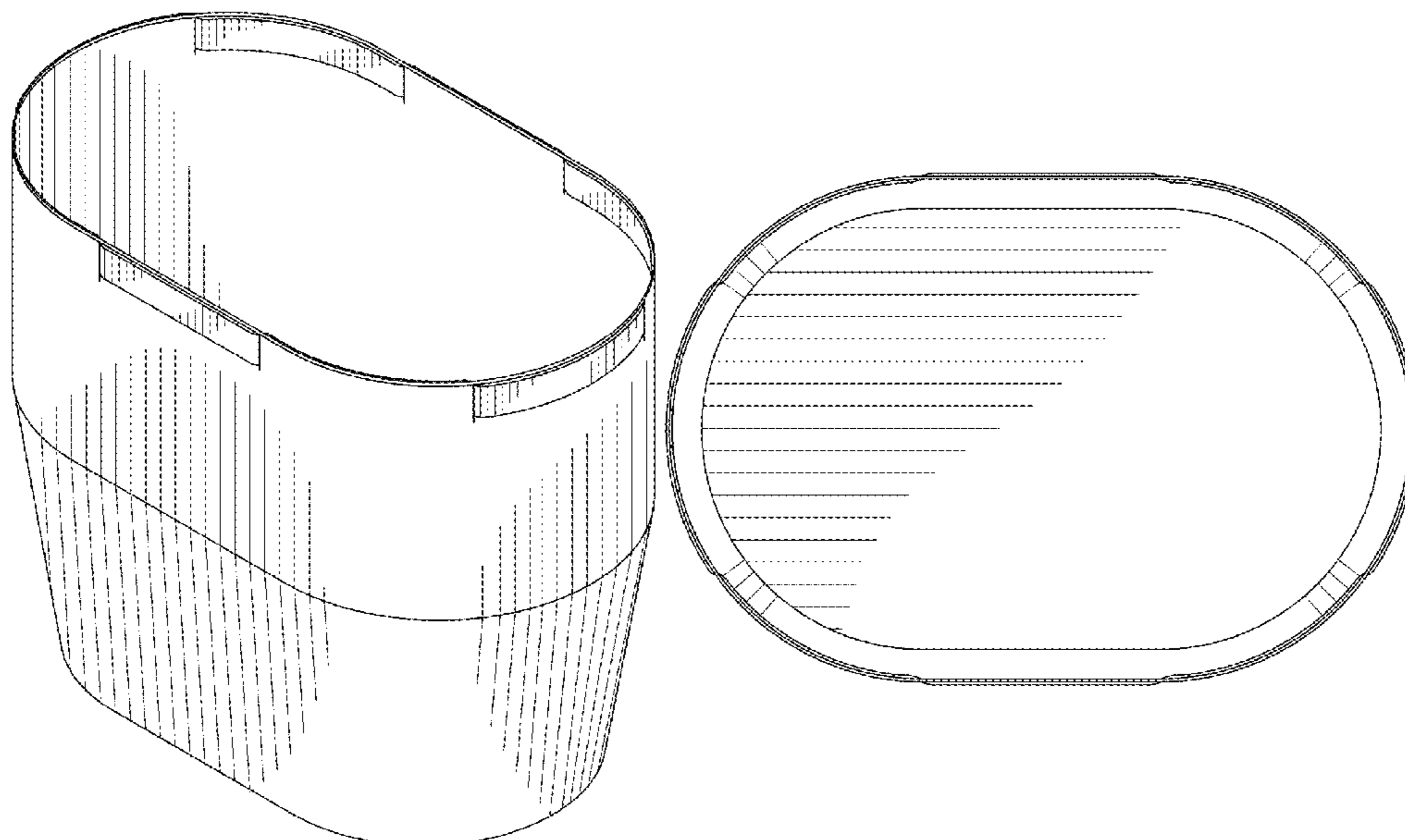
(57) **CLAIM**

The ornamental design for a laundry bag, as shown and described.

**DESCRIPTION**

FIG. 1 is a perspective view of a laundry bag showing my new design;  
 FIG. 2 is a front elevational view thereof;  
 FIG. 3 is a rear elevational view thereof;  
 FIG. 4 is a left side elevational view thereof;  
 FIG. 5 is a right side elevational view thereof;  
 FIG. 6 is a top plan view thereof; and,  
 FIG. 7 is a bottom plan view thereof.

**1 Claim, 4 Drawing Sheets**



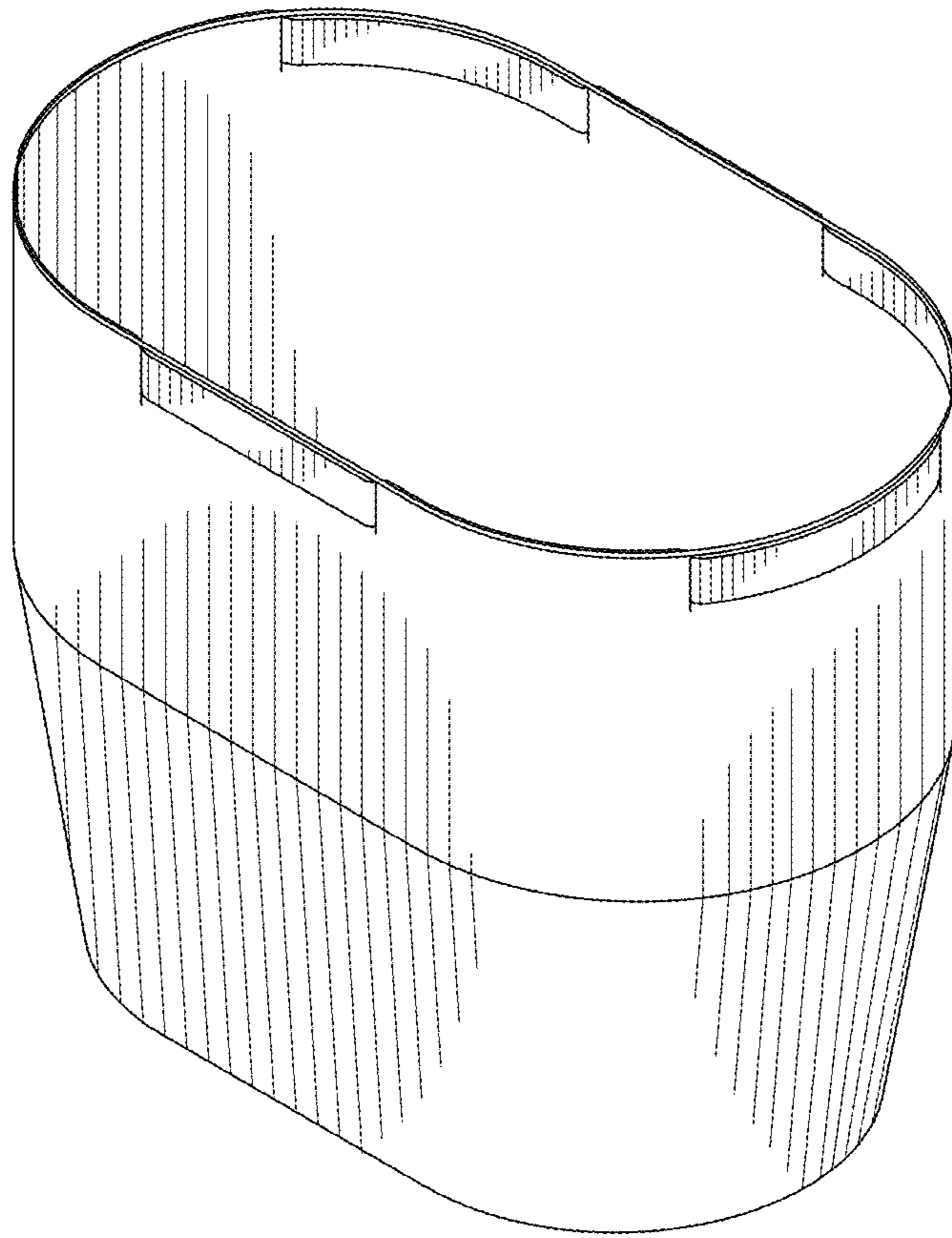


FIG. 1

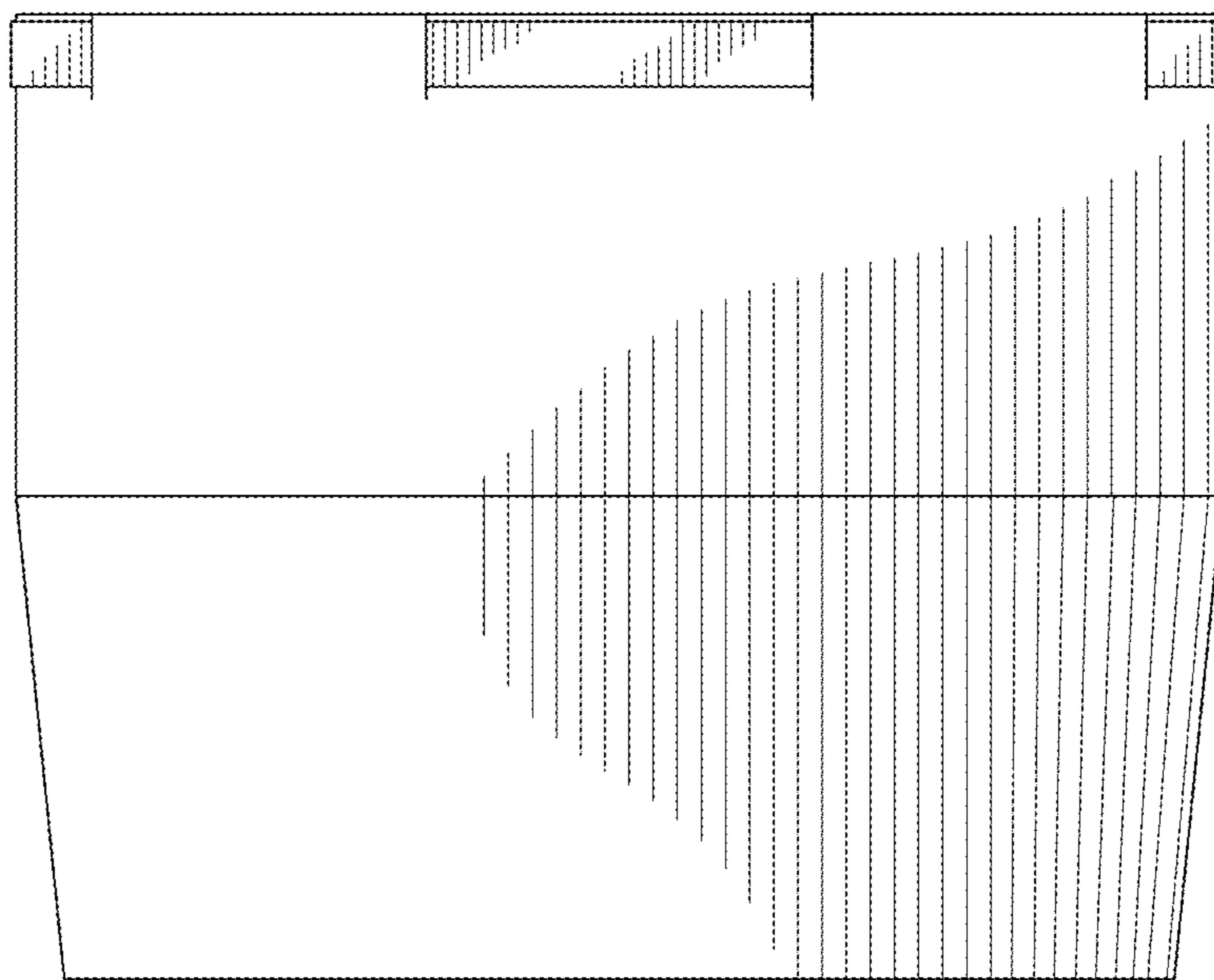


FIG. 2

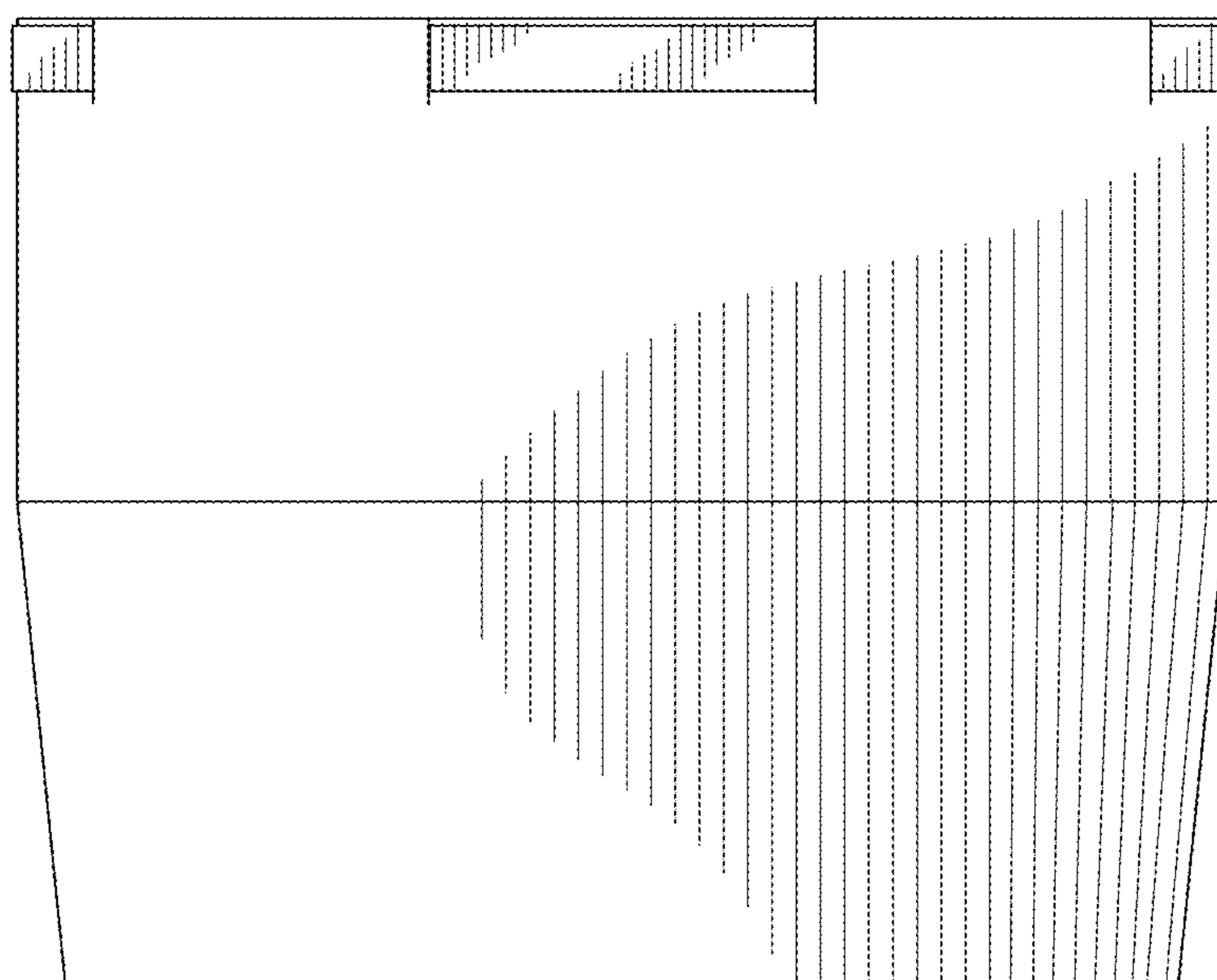


FIG. 3

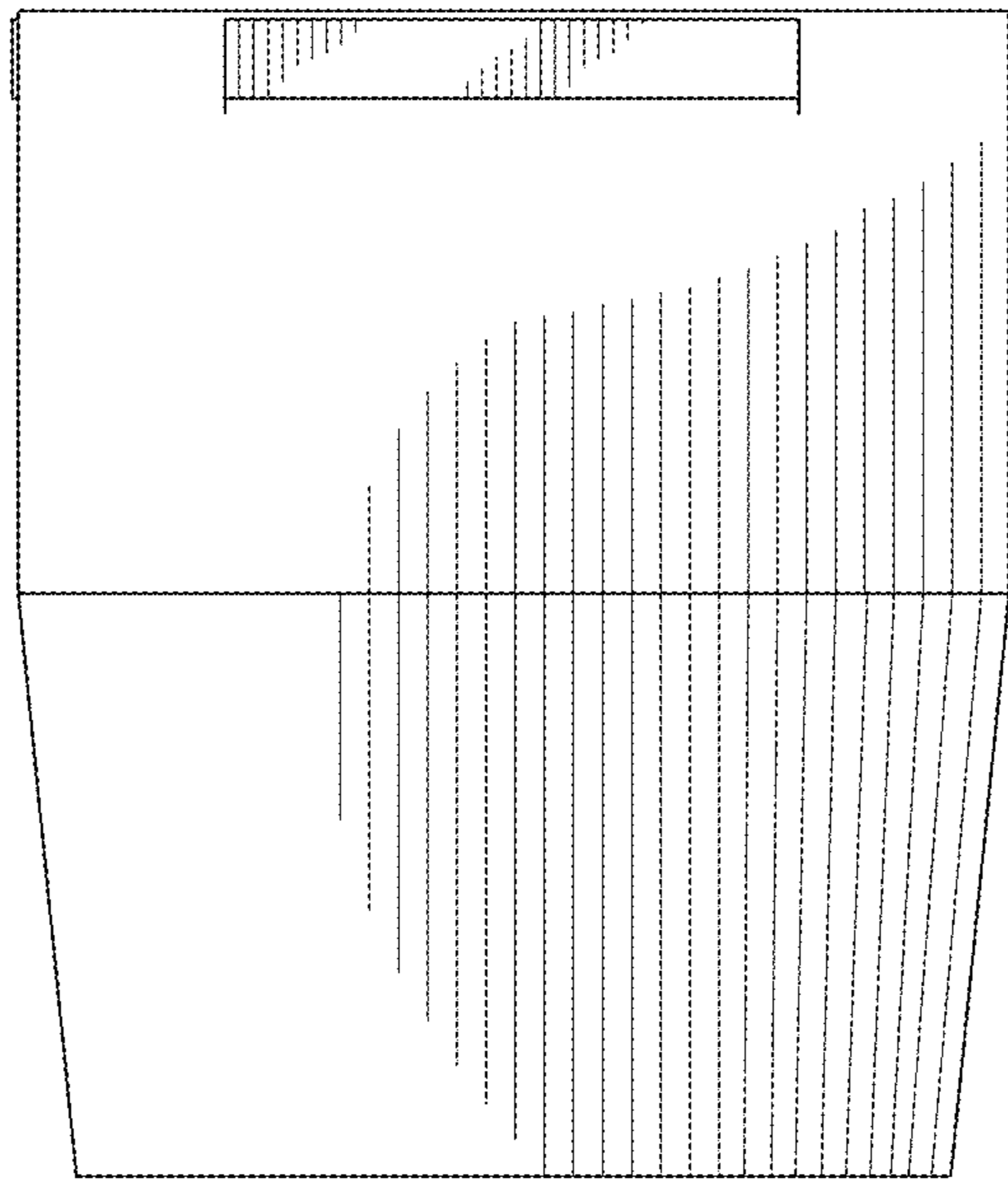


FIG. 4

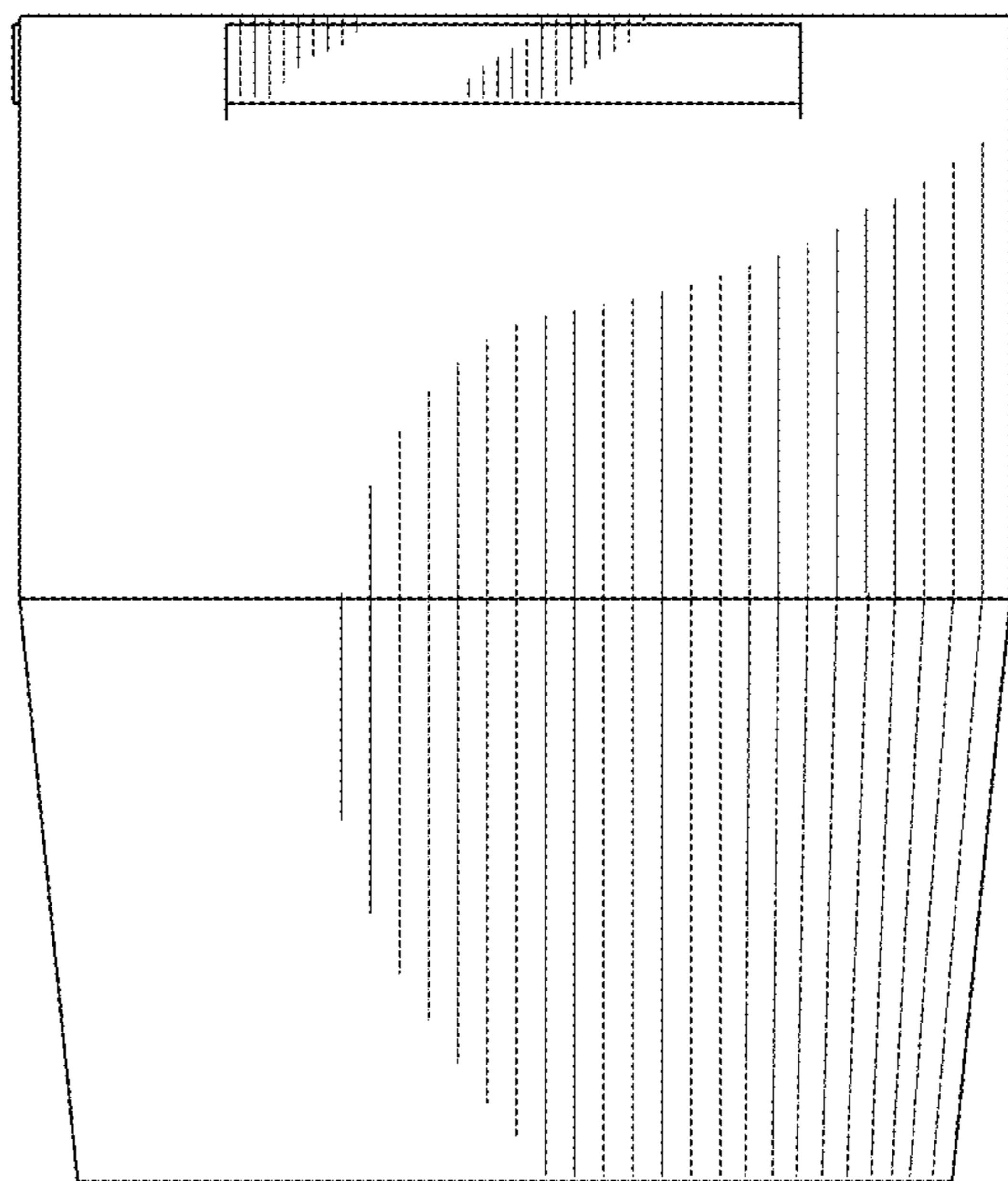


FIG. 5

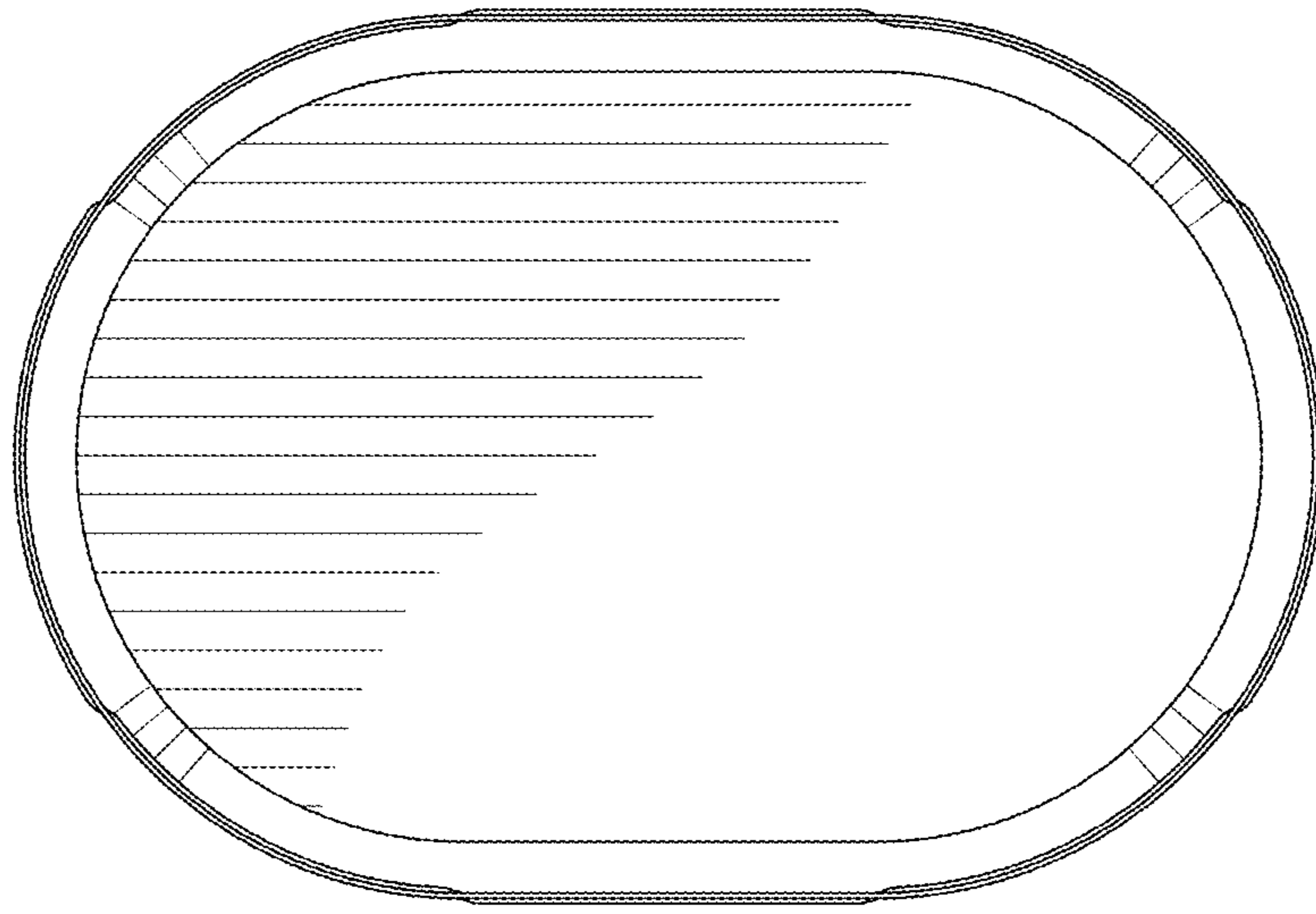


FIG. 6

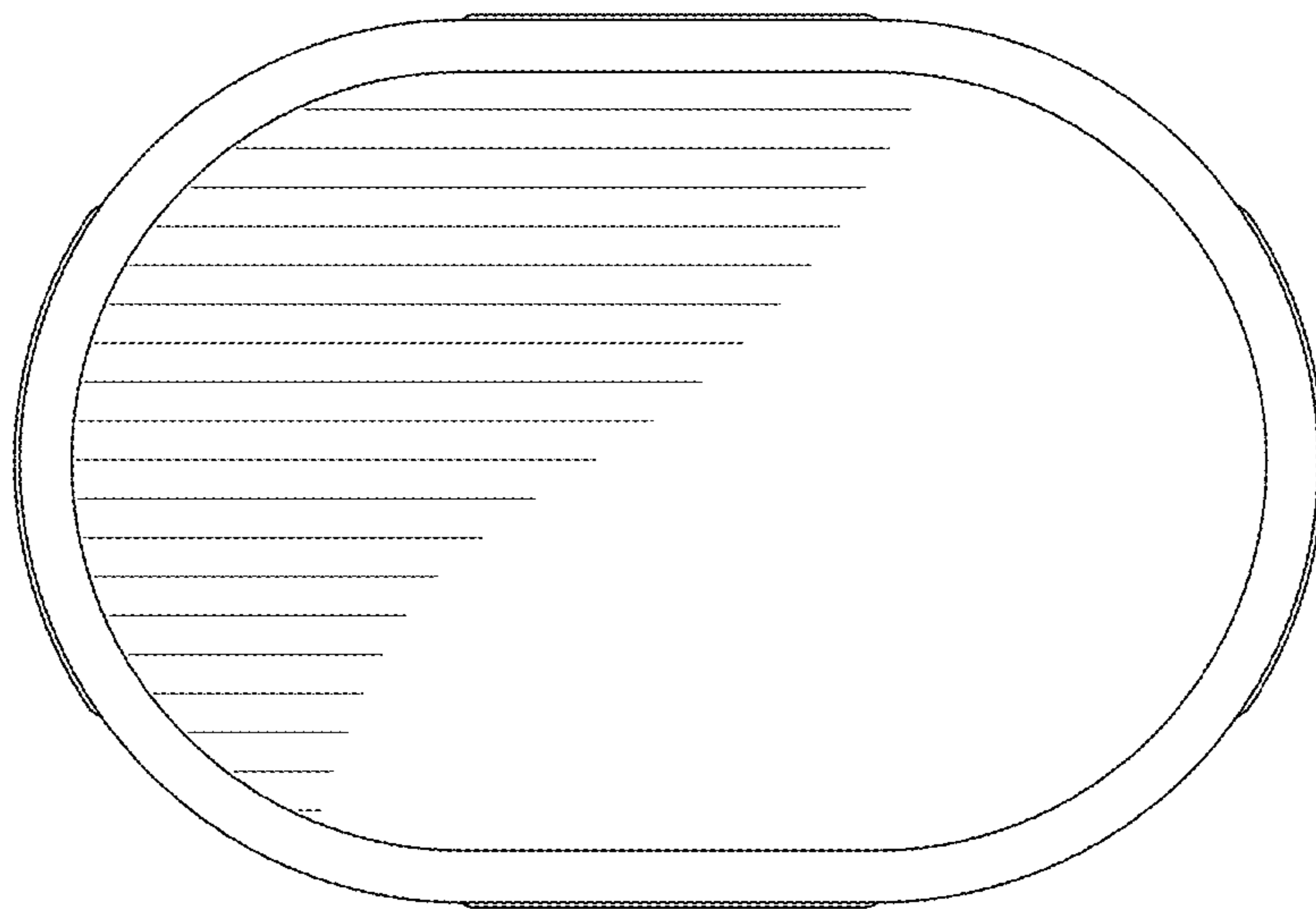


FIG. 7