



US00D952970S

(12) **United States Design Patent** (10) **Patent No.:** **US D952,970 S**
Niedzwecki et al. (45) **Date of Patent:** **** May 24, 2022**

(54) **VACUUM CLEANER**

(71) Applicant: **SHARKNINJA OPERATING LLC**,
Needham, MA (US)

(72) Inventors: **Scott B. Niedzwecki**, Walpole, MA
(US); **Robert J. Bone, III**, Stoughton,
MA (US); **Alexander Calvino**,
Cranston, RI (US)

(73) Assignee: **SHARKNINJA OPERATING LLC**,
Needham, MA (US)

(**) Term: **15 Years**

(21) Appl. No.: **29/741,889**

(22) Filed: **Jul. 16, 2020**

(51) **LOC (13) Cl.** **15-05**

(52) **U.S. Cl.**
USPC **D32/22; D32/18**

(58) **Field of Classification Search**
USPC D32/17, 18, 21, 22, 31; D21/526
CPC A47L 5/24; A47L 5/28; A47L 5/30; A47L
5/34; A47L 5/36; A47L 9/04; A47L
9/102; A47L 9/106; A47L 11/30; A47L
11/302; A47L 11/4005; A47L 11/4008;
A47L 11/4044; B04C 5/185; B23Q
11/0046; B23Q 11/0071; E04H 4/1636
See application file for complete search history.

(56) **References Cited**

U.S. PATENT DOCUMENTS

D290,894 S * 7/1987 Miyamoto D32/18
D608,961 S * 1/2010 Reese D32/18
D731,130 S * 6/2015 Dyson D32/18
D738,584 S * 9/2015 Niedzwecki D32/22

(Continued)

FOREIGN PATENT DOCUMENTS

CA 179448 * 3/2021
CN 304887706 * 11/2018

(Continued)

OTHER PUBLICATIONS

Shark Anti Hair Wrap Corded Stick Vacuum Cleaner, available in Amazon.co.uk, date first available Aug. 25, 2020 [online], [site visited Apr. 2, 2021], Available from the internet . . . https://www.amazon.ca/Shark-HZ2002-Ultralight-PowerFins-Self-Cleaning/dp/B089TQGC8T/ref=sr_1_1?dchild=1&keywords=shark+hz2002+vertex+corded+ultralight&qid=1617818360&sr=8-1 (Year: 2020).*

(Continued)

Primary Examiner — Dana K Weiland

Assistant Examiner — Jennylou M Binas

(74) *Attorney, Agent, or Firm* — Grossman, Tucker,
Perreault & Pfleger, PLLC

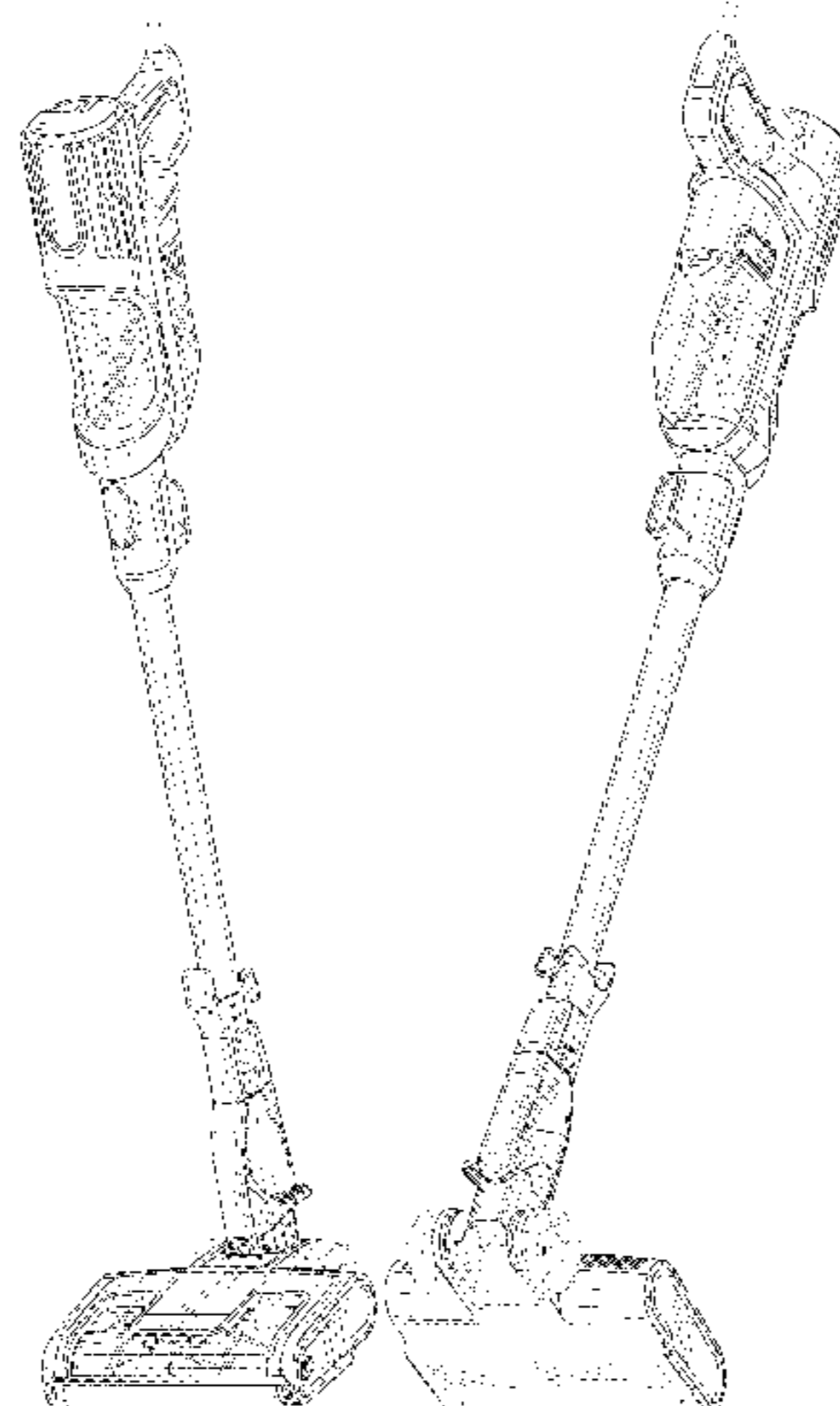
(57) **CLAIM**

We claim the ornamental design for a vacuum cleaner, as shown and described.

DESCRIPTION

FIG. 1 is a perspective front, top, right view of a vacuum cleaner showing the claimed design;
FIG. 2 is a perspective front, top, left view of FIG. 1;
FIG. 3 is a perspective front, bottom right view of FIG. 1;
FIG. 4 is a perspective front, bottom left view of FIG. 1;
FIG. 5 is a perspective rear, top, left view of FIG. 1;
FIG. 6 is a perspective rear, top, right view of FIG. 1;
FIG. 7 is a perspective rear, bottom, left view of FIG. 1;
FIG. 8 is a perspective rear, bottom, right view of FIG. 1;
FIG. 9 is a front view of FIG. 1;
FIG. 10 is a rear view of FIG. 1;
FIG. 11 is a left view of FIG. 1;
FIG. 12 is a right view of FIG. 1;
FIG. 13 is a top view of FIG. 1; and,
FIG. 14 is a bottom view of FIG. 1.
The broken lines in the drawings depict portions of the vacuum cleaner that form no part of the claimed design.

1 Claim, 14 Drawing Sheets



(56)

References Cited

U.S. PATENT DOCUMENTS

D771,890 S * 11/2016 Kim D32/34
 9,675,218 B2 * 6/2017 Kim A47L 9/0054
 D800,980 S * 10/2017 Carter D32/21
 D819,282 S * 5/2018 Kim D32/22
 9,986,880 B2 * 6/2018 Conrad A47L 9/165
 D830,017 S * 10/2018 Nam D32/22
 D844,912 S * 4/2019 Gammack D32/18
 D855,269 S * 7/2019 Palladino D32/32
 D861,268 S * 9/2019 Meyer D32/22
 D862,011 S * 10/2019 Kim D32/22
 D871,000 S * 12/2019 Johnson D32/32
 D871,695 S * 12/2019 Niedzwecki D32/22
 D879,395 S * 3/2020 Pearce D32/18
 D887,657 S * 6/2020 Palladino D32/22
 D902,510 S * 11/2020 Knight Adams D32/22
 D905,360 S * 12/2020 Ma D32/22
 D905,919 S * 12/2020 Niedzwecki D32/34
 D908,990 S * 1/2021 Chen D32/22
 D912,344 S * 3/2021 Choi D32/22
 D929,685 S * 8/2021 Choi D32/18
 D929,686 S * 8/2021 Uim D32/18
 D930,296 S * 9/2021 Song D32/18
 D932,122 S * 9/2021 Xu D32/18

D932,124 S * 9/2021 Lin D32/22
 D933,320 S * 10/2021 Bloemendaal D32/22
 D935,710 S * 11/2021 Nakamura D32/18
 D935,713 S * 11/2021 Ma D32/22
 2016/0174789 A1 * 6/2016 Han A47L 5/362
 15/327.1
 2019/0208974 A1 * 7/2019 Oka A47L 9/246

FOREIGN PATENT DOCUMENTS

IN 296545-0001 * 6/2018
 JP D1567165 * 1/2017

OTHER PUBLICATIONS

Shark HZ2002 Vertex Corded Ultrlight, available in Amazon.ca, date first available Jun. 9, 2020 [online], [site visited Apr. 2, 2021], Available from the internet . . . (Year: 2020).*
https://www.amazon.co.uk/Shark-Corded-Cleaner-Flexology-HZ500UKT/dp/B08GLGJJ81/ref=sr_1_1?dchild=1&keywords=Shark+Anti+Hair+Wrap+Corded+Stick+Vacuum+Cleaner+with+Flexology+%5BHZ500UKT%5D%2C+Pet+Model%2C+Rose+Gold&qid=1617817799&sr=8-1 (Year: 2020).*

* cited by examiner

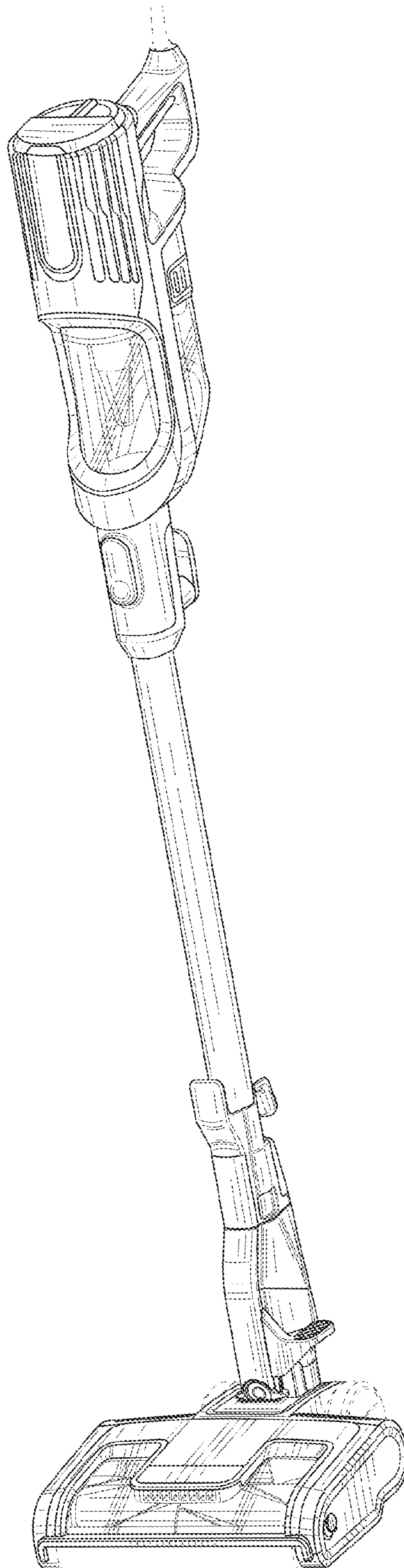


FIG. 1

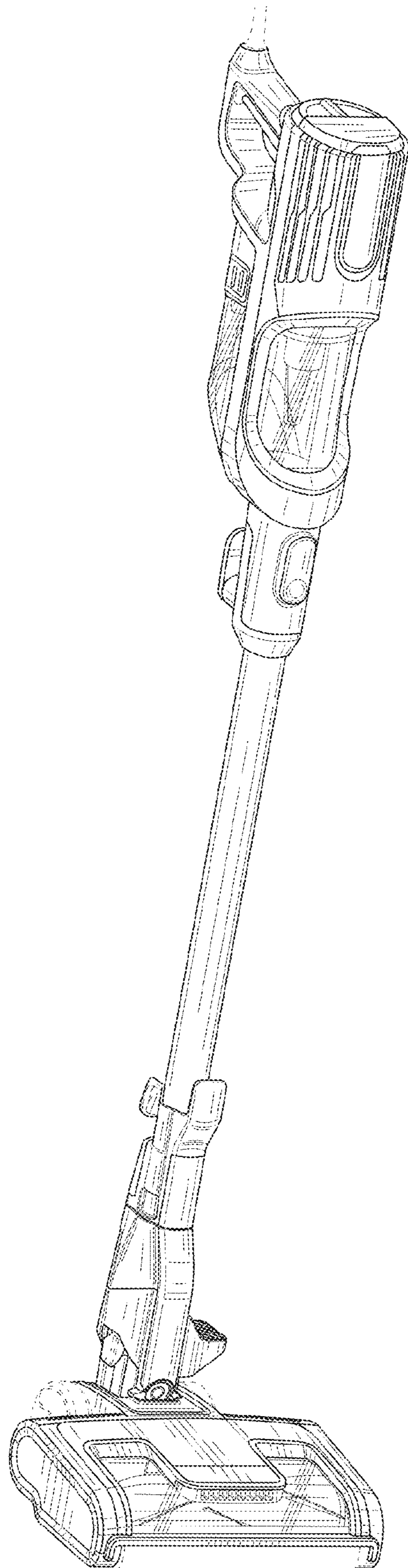


FIG. 2

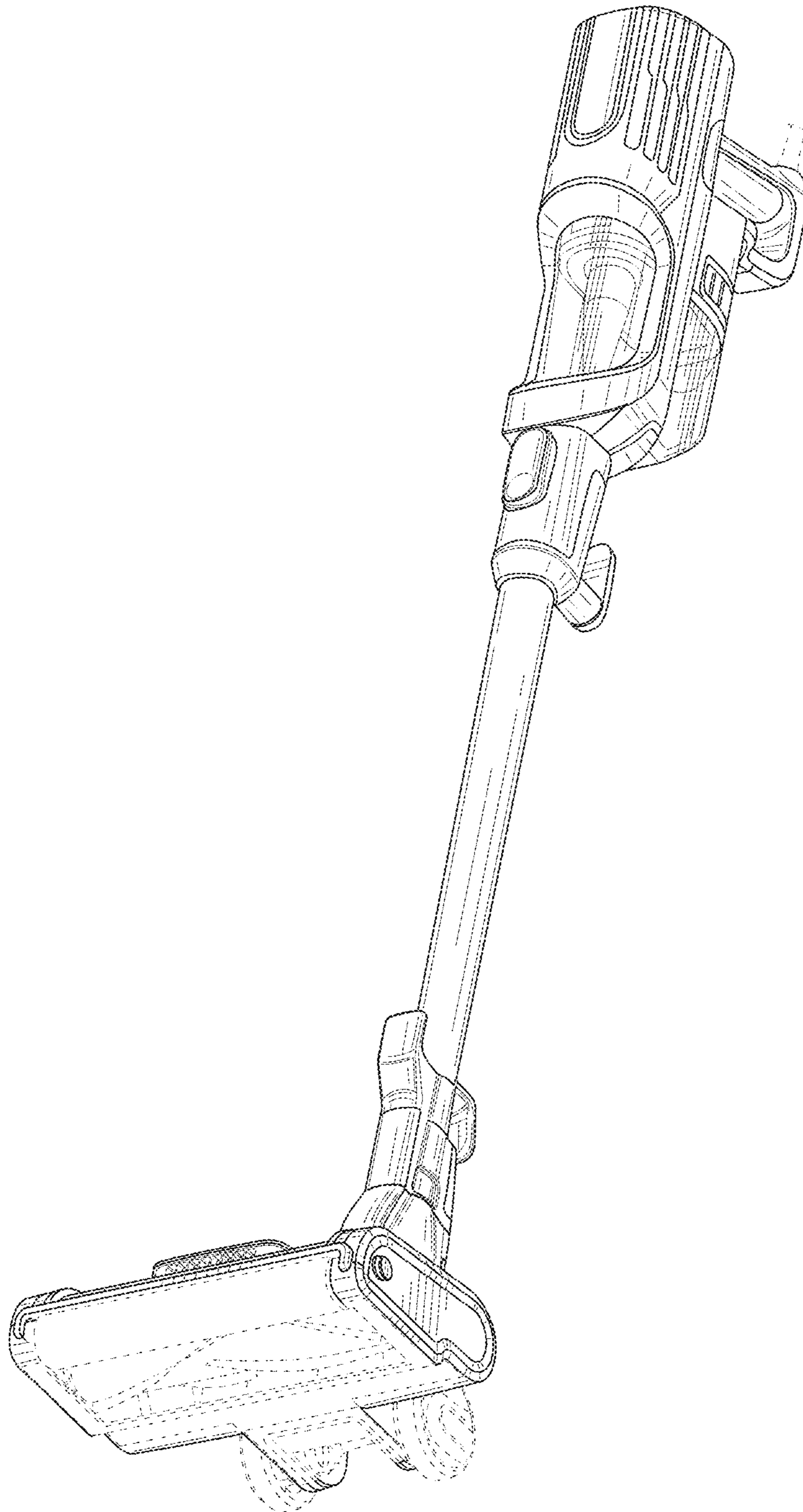


FIG. 3

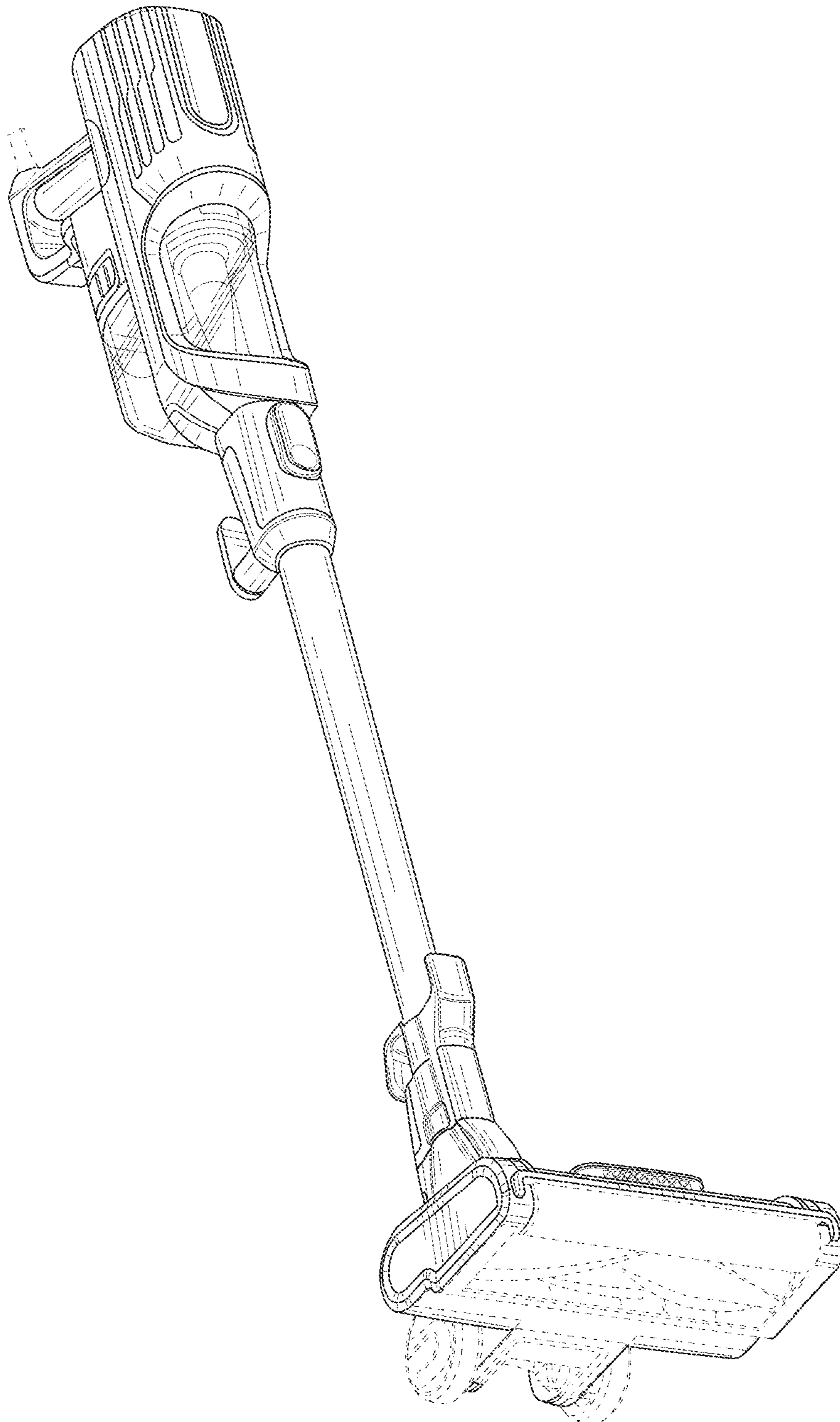


FIG. 4

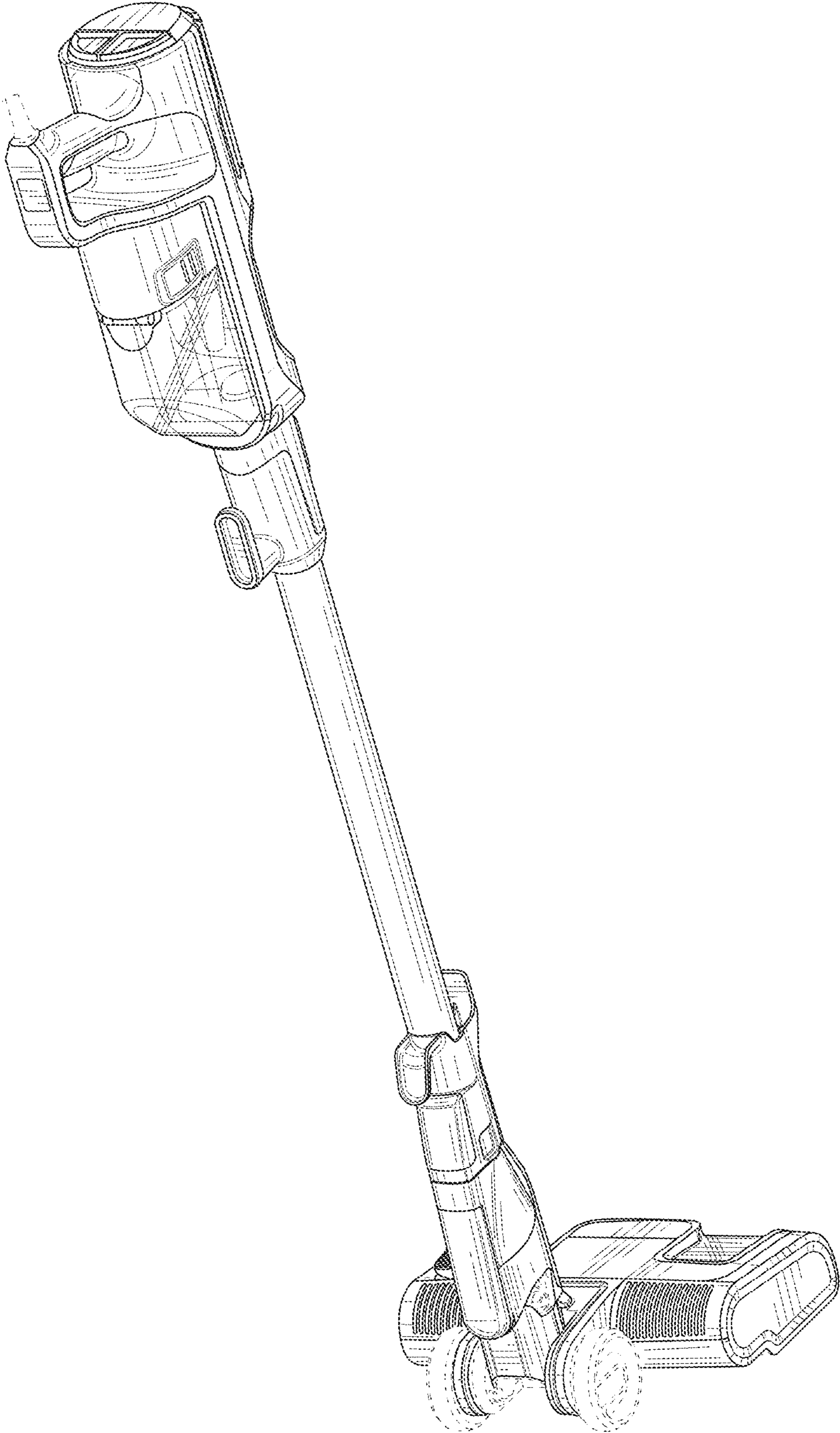


FIG. 5

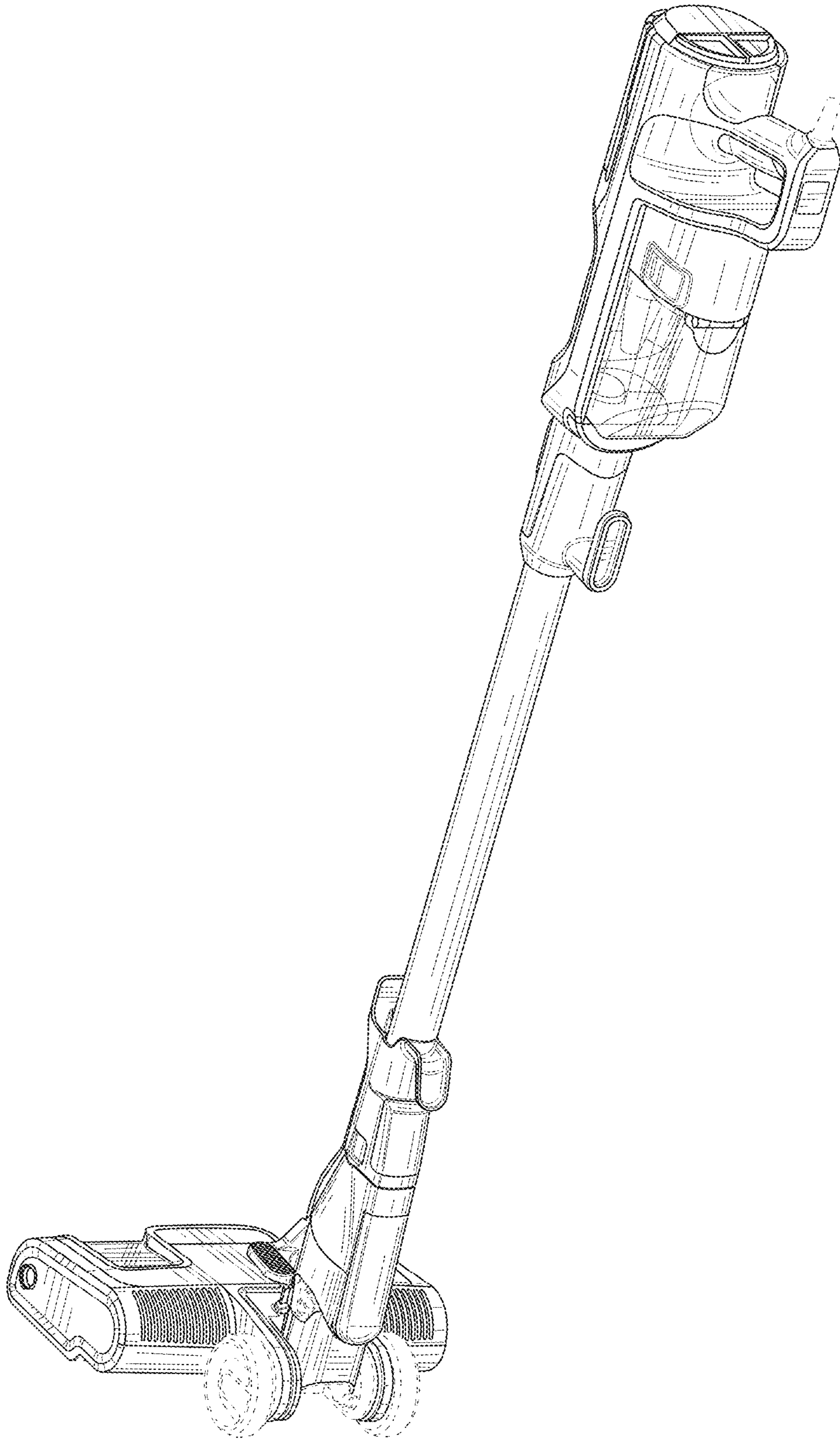


FIG. 6

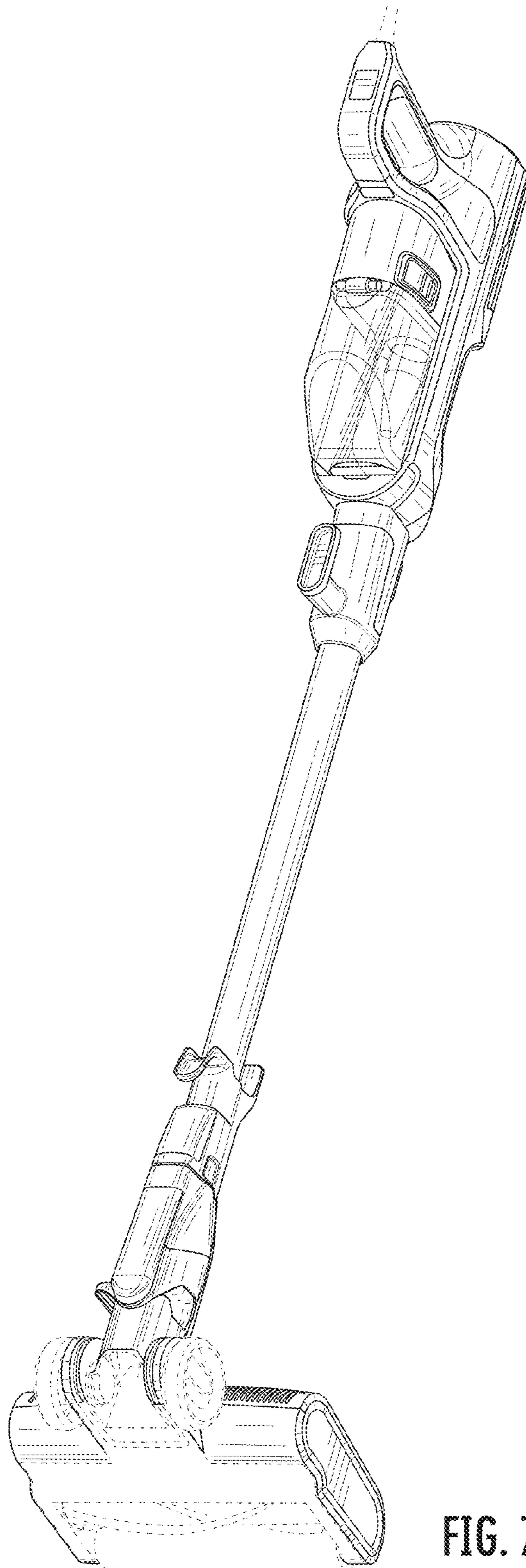


FIG. 7

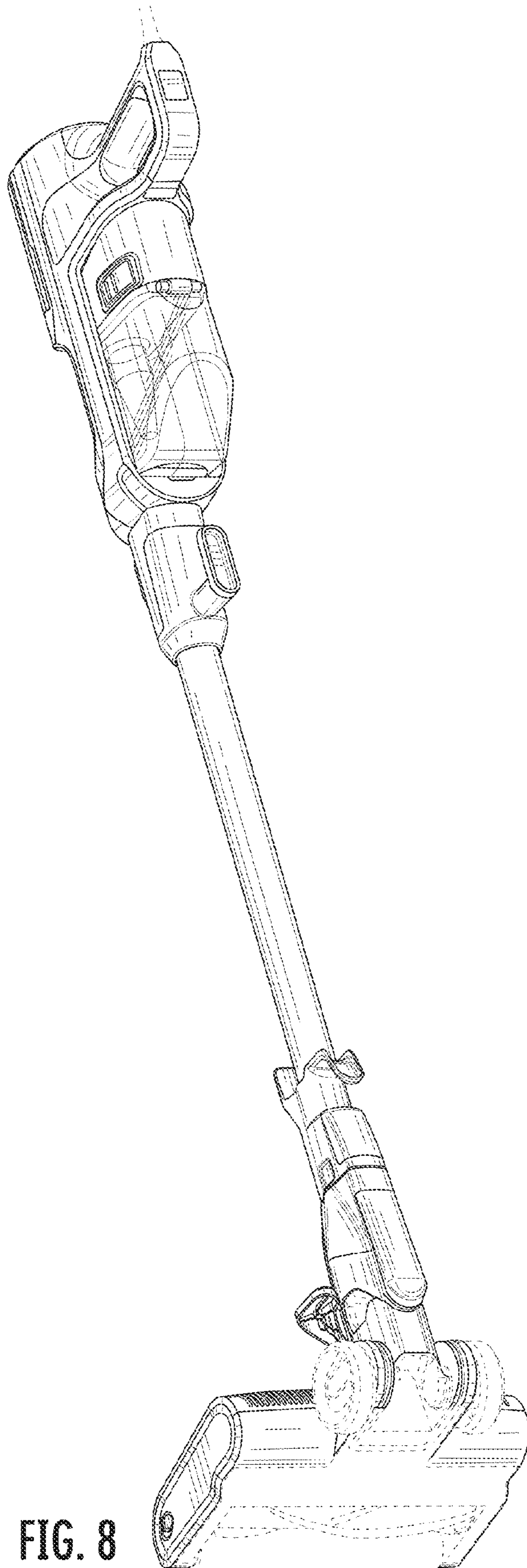


FIG. 8

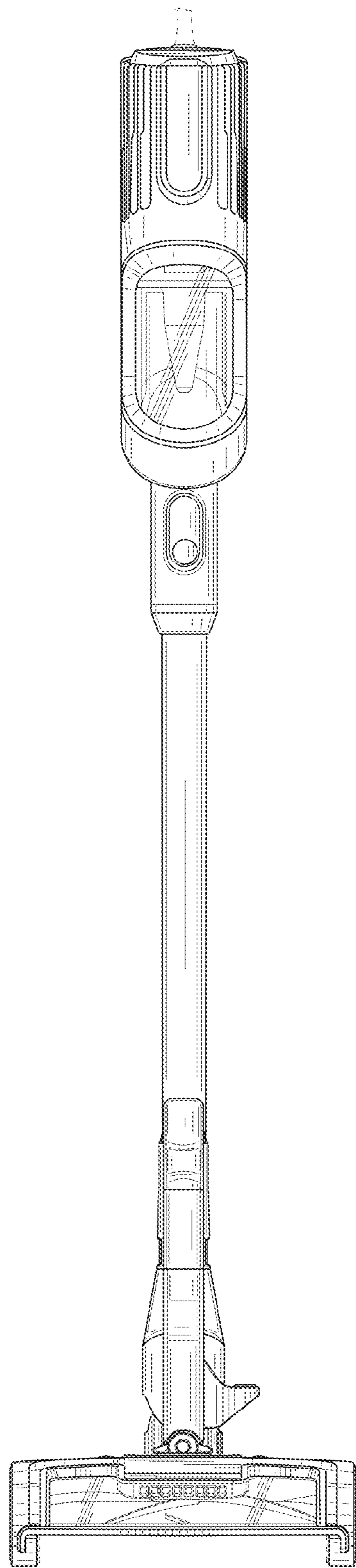


FIG. 9

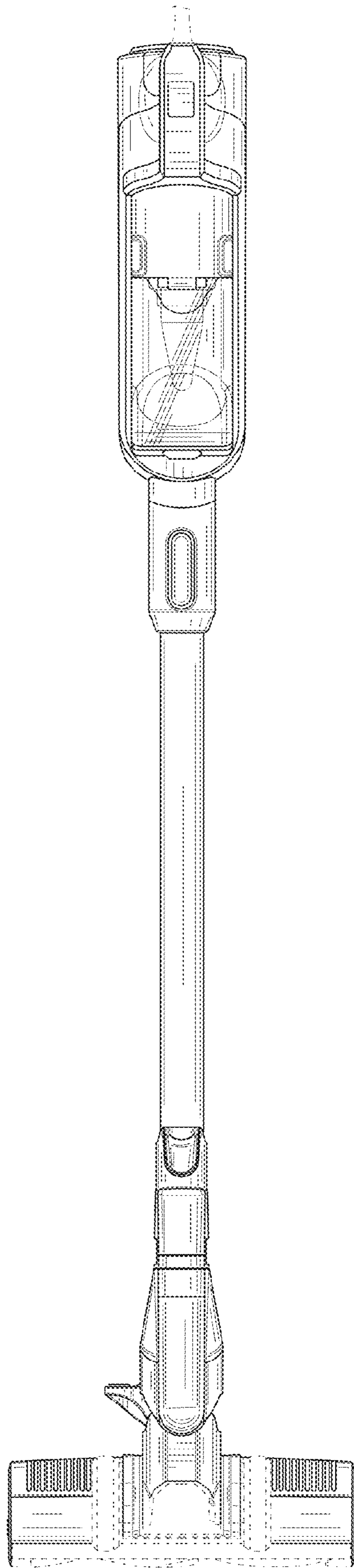


FIG. 10

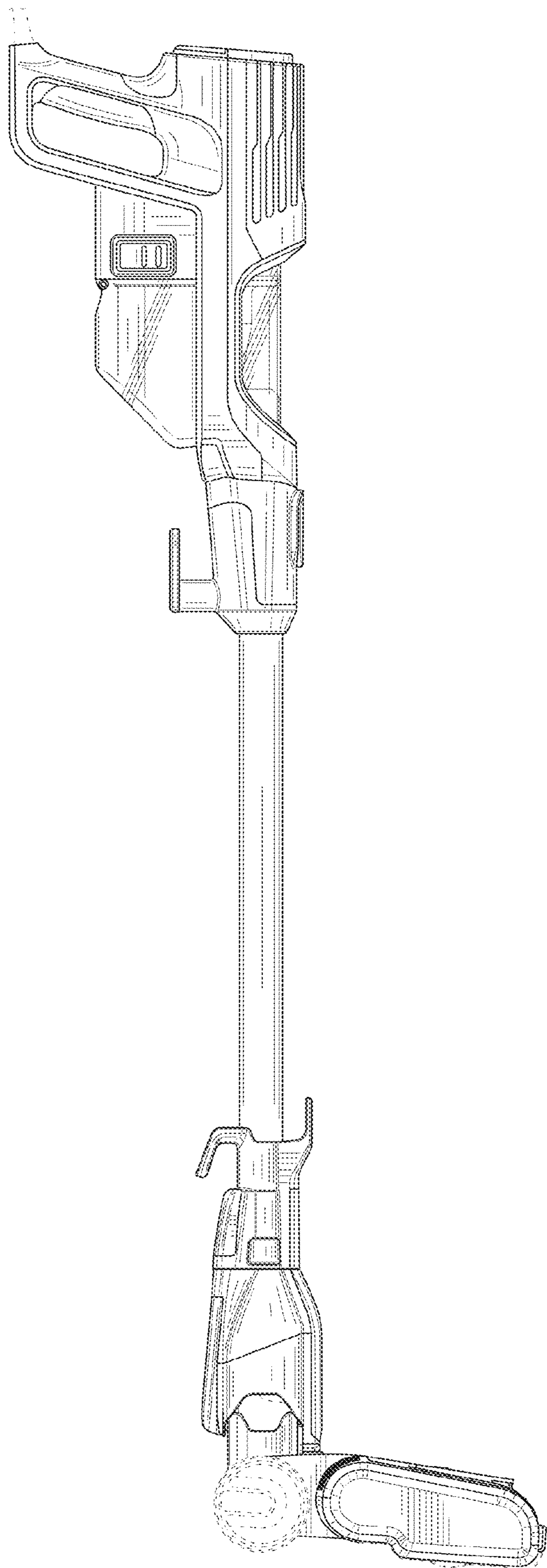


FIG. 11

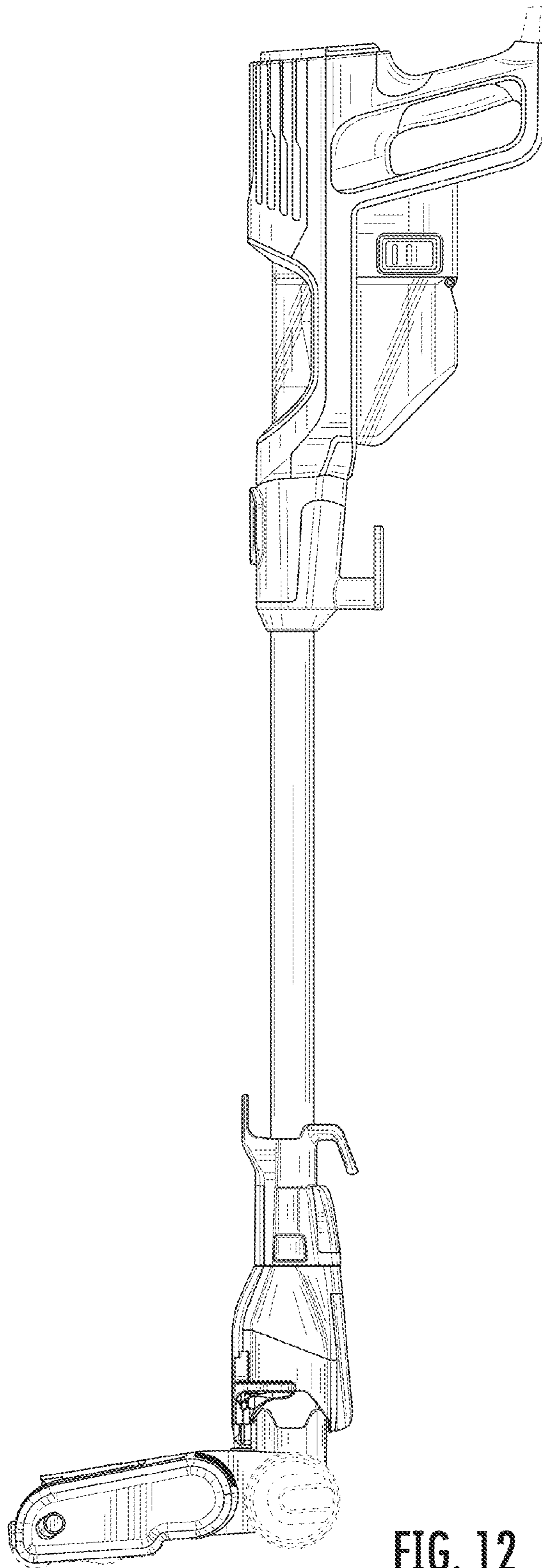


FIG. 12

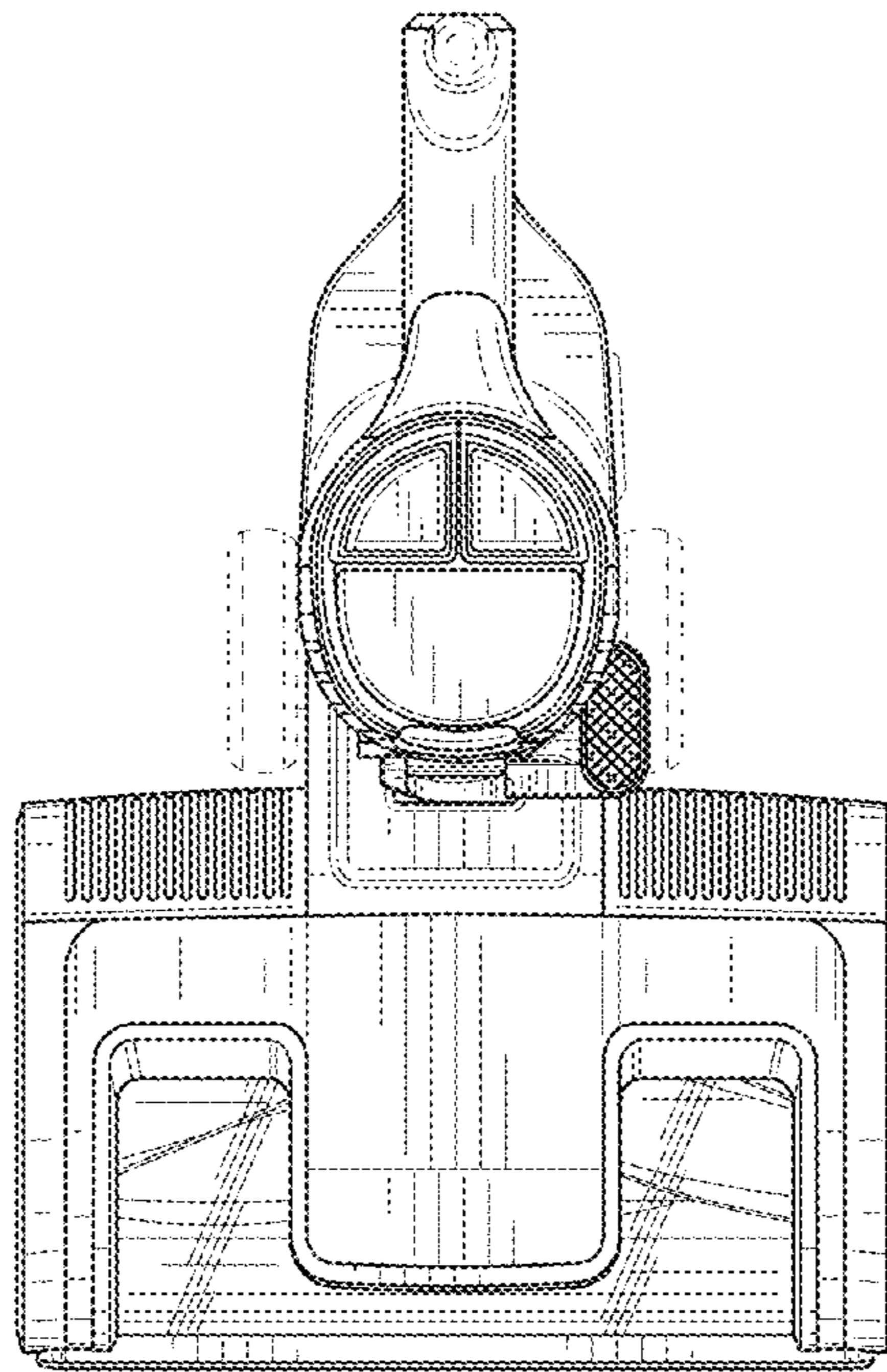


FIG. 13

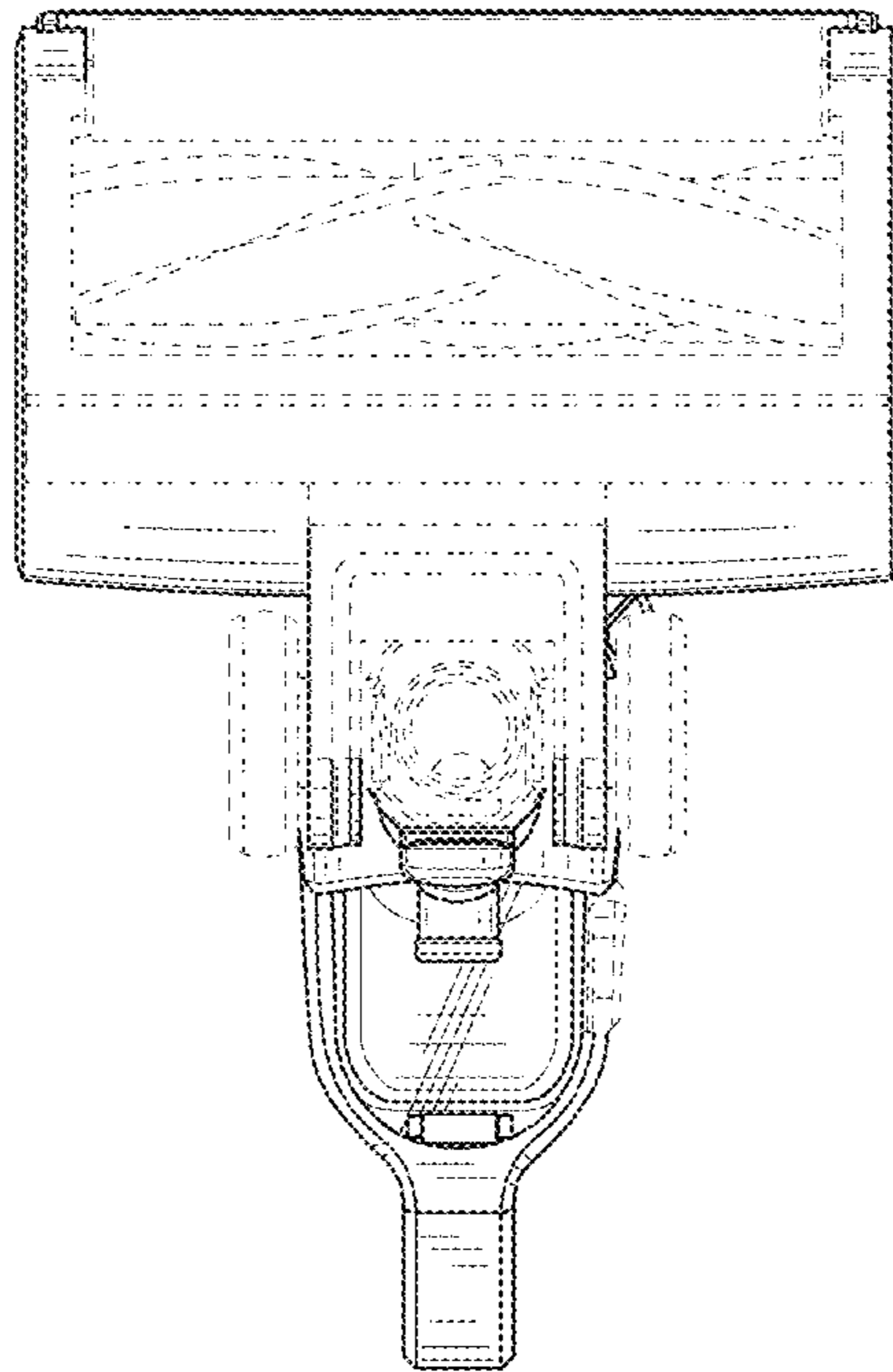


FIG. 14