



US00D952969S

(12) **United States Design Patent** (10) **Patent No.:** **US D952,969 S**
Chen (45) **Date of Patent:** **** May 24, 2022**

(54) **VACUUM CLEANER**

(71) Applicant: **Liang Jun Chen**, Dongguan (CN)

(72) Inventor: **Liang Jun Chen**, Dongguan (CN)

(**) Term: **15 Years**

(21) Appl. No.: **29/785,686**

(22) Filed: **May 26, 2021**

(51) **LOC (13) Cl.** **15-05**

(52) **U.S. Cl.**
USPC **D32/18**

(58) **Field of Classification Search**
USPC D32/17, 18, 21, 25, 31, 32, 33, 34
CPC A47L 11/24; A47L 11/33; A47L 11/32;
A47L 9/1666; A47L 9/1608; A47L 11/00;
A47L 11/38; Y10S 55/03
See application file for complete search history.

(56) **References Cited**

U.S. PATENT DOCUMENTS

D514,758 S *	2/2006	Lau	D32/18
D530,464 S *	10/2006	Tai	D32/18
7,789,922 B1 *	9/2010	Wai	B01D 46/521 55/420
D660,527 S *	5/2012	Kawase	D32/18
D660,528 S *	5/2012	Okuda	D32/18
D749,281 S *	2/2016	Jeon	D32/18
D830,013 S	10/2018	Lee et al.	
D865,304 S *	10/2019	Sugie	D32/18
D880,086 S *	3/2020	Tan	D32/18
D887,657 S	6/2020	Palladino et al.	
D898,311 S *	10/2020	Smith	D32/18
D927,804 S *	8/2021	Song	D32/18
D935,710 S *	11/2021	Nakamura	D32/18
D937,511 S *	11/2021	Standaloft	D32/18
D937,512 S *	11/2021	Standaloft	D32/18
D941,539 S *	1/2022	Crawley	D32/18
2018/0310786 A1 *	11/2018	Zhong	A47L 5/26
2019/0167055 A1 *	6/2019	Tahara	A47L 9/1666
2020/0129025 A1 *	4/2020	Zhong	A47L 9/02

2020/0237171 A1 *	7/2020	Xu	A47L 9/1641
2020/0383544 A1 *	12/2020	Conrad	A47L 9/16
2021/0228040 A1 *	7/2021	Mitsui	H01M 10/46
2021/0251443 A1 *	8/2021	Perry	A47L 9/2857
2021/0401249 A1 *	12/2021	Scott	A47L 7/0042

FOREIGN PATENT DOCUMENTS

TW 2149770001 * 11/2021

OTHER PUBLICATIONS

Amazon.couk Dustbuster handheld vacuum https://www.amazon.co.uk/beyond-BLACK-DECKER-HHVK515JP07APB-Vacuum/dp/B08HHXK475/ref=sr_1_15 (Year: 2020).*
Amazon.com Cherylon VacHandled Vacuum https://www.amazon.com/Handheld-Vacuum-Cordless-Lightweight-Rechargeable/dp/B09CQ444JT/ref=sr_1_50 (Year: 2021).*

* cited by examiner

Primary Examiner — Tracey J Bell
Assistant Examiner — Richard E Yenchesky

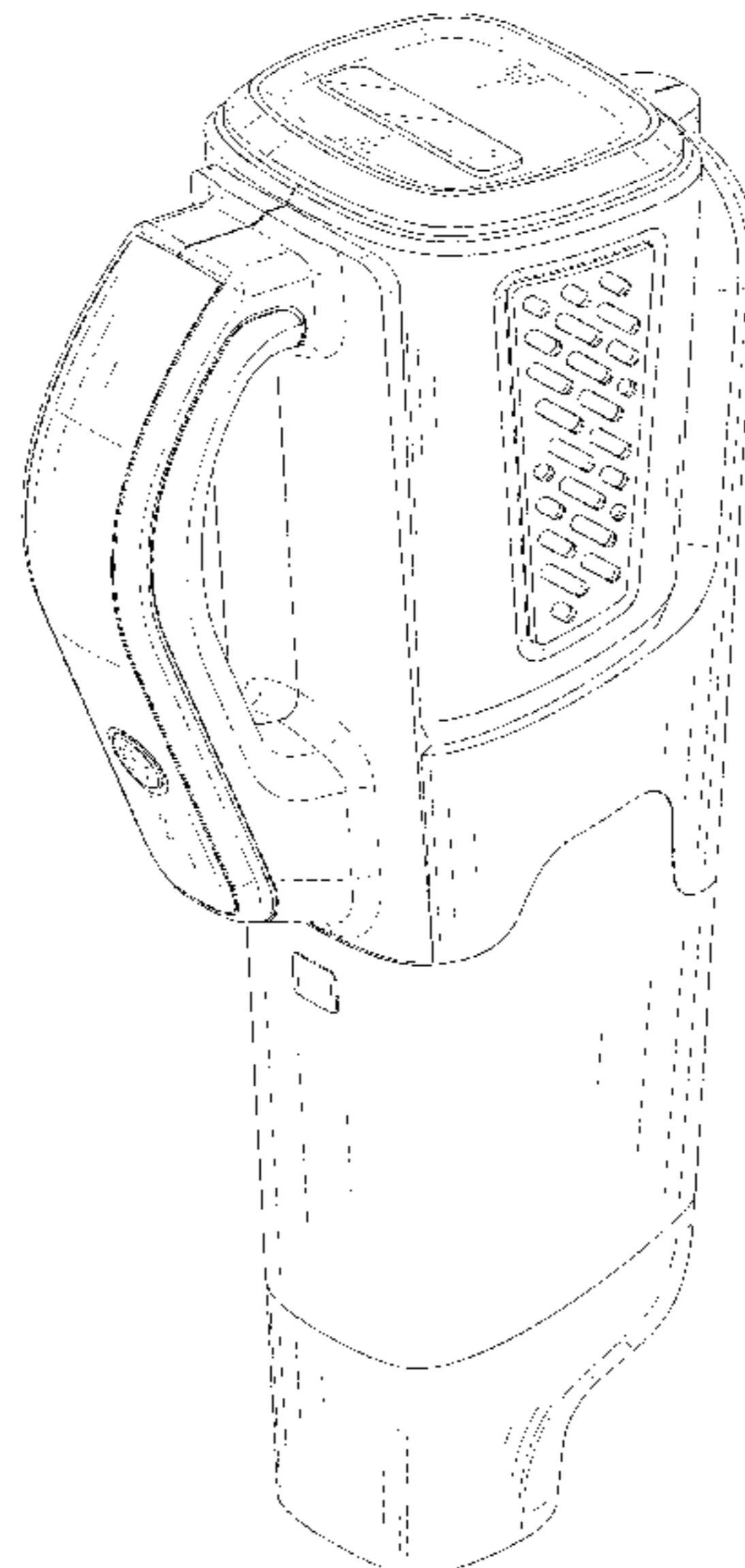
(57) **CLAIM**

The ornamental design for a vacuum cleaner, as shown and described.

DESCRIPTION

FIG. 1 is a perspective view of a vacuum cleaner showing my new design;
FIG. 2 is another perspective view thereof;
FIG. 3 is a front elevational view thereof;
FIG. 4 is a rear elevational view thereof;
FIG. 5 is a left side elevational view thereof;
FIG. 6 is a right side elevational view thereof;
FIG. 7 is a top plan view thereof;
FIG. 8 is a bottom plan view thereof; and,
FIG. 9 is a perspective view of the vacuum cleaner where the vacuum cleaner is in a configuration of use.
The broken lines in the drawings depict portions of the vacuum cleaner that form no part of the claimed design.

1 Claim, 9 Drawing Sheets



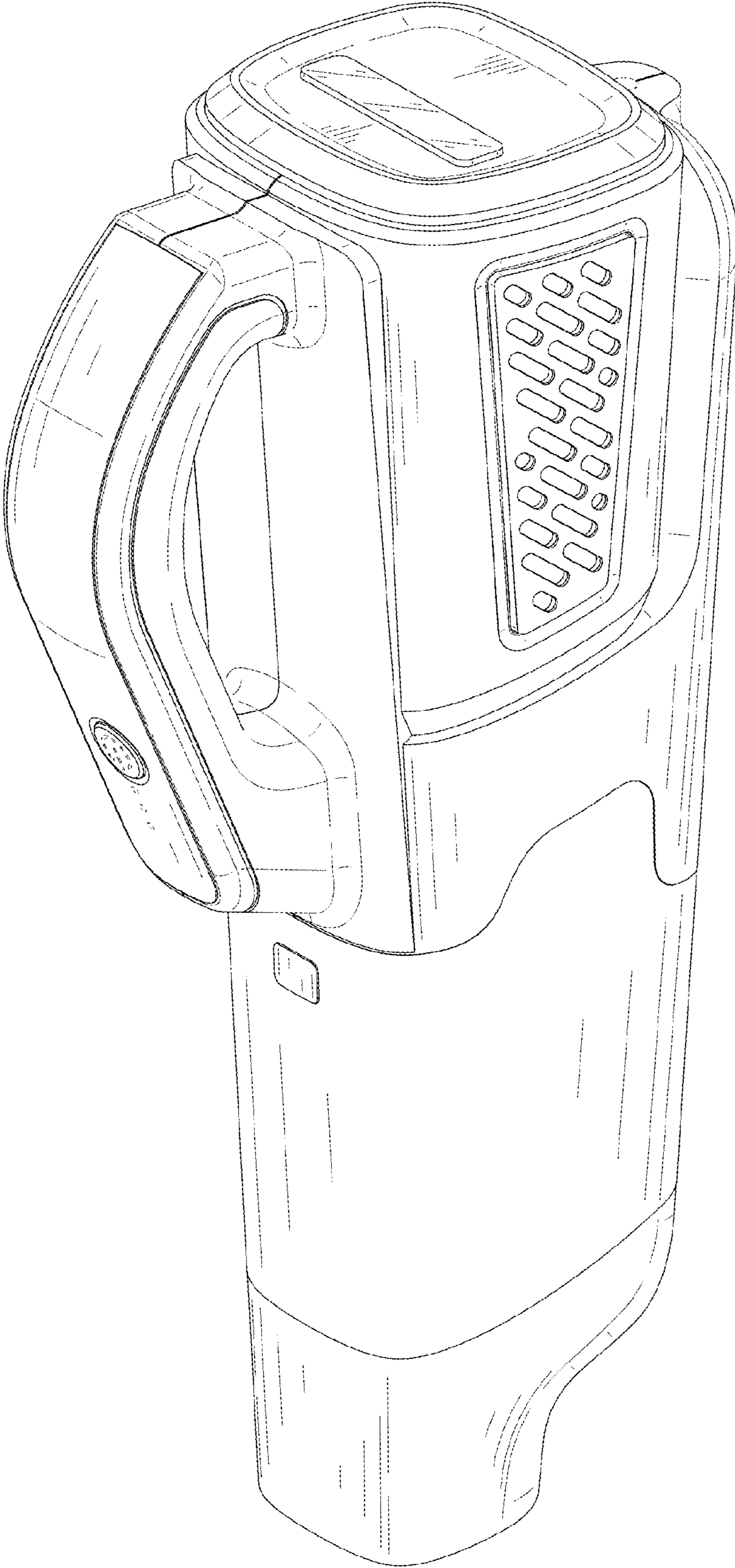


FIG. 1

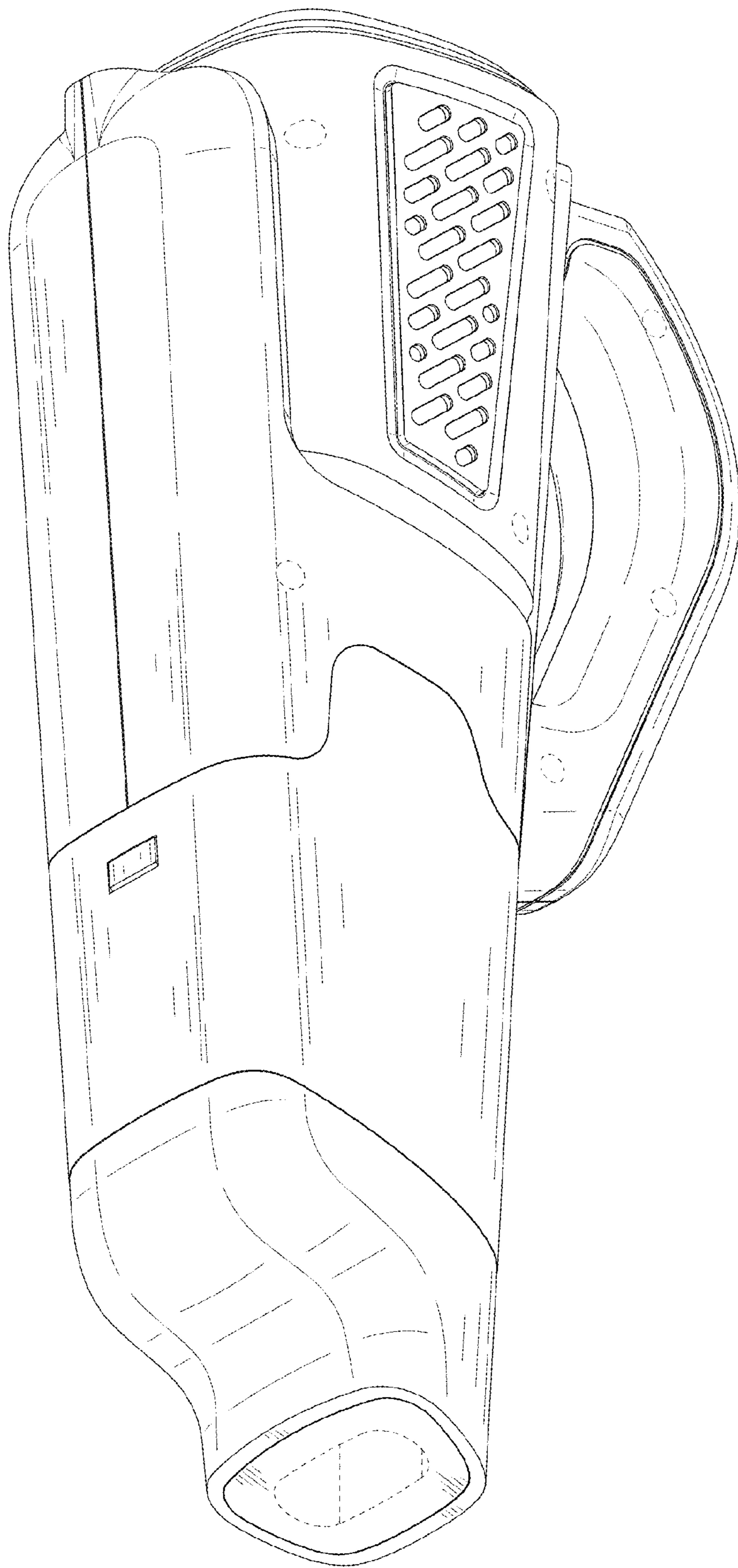


FIG. 2

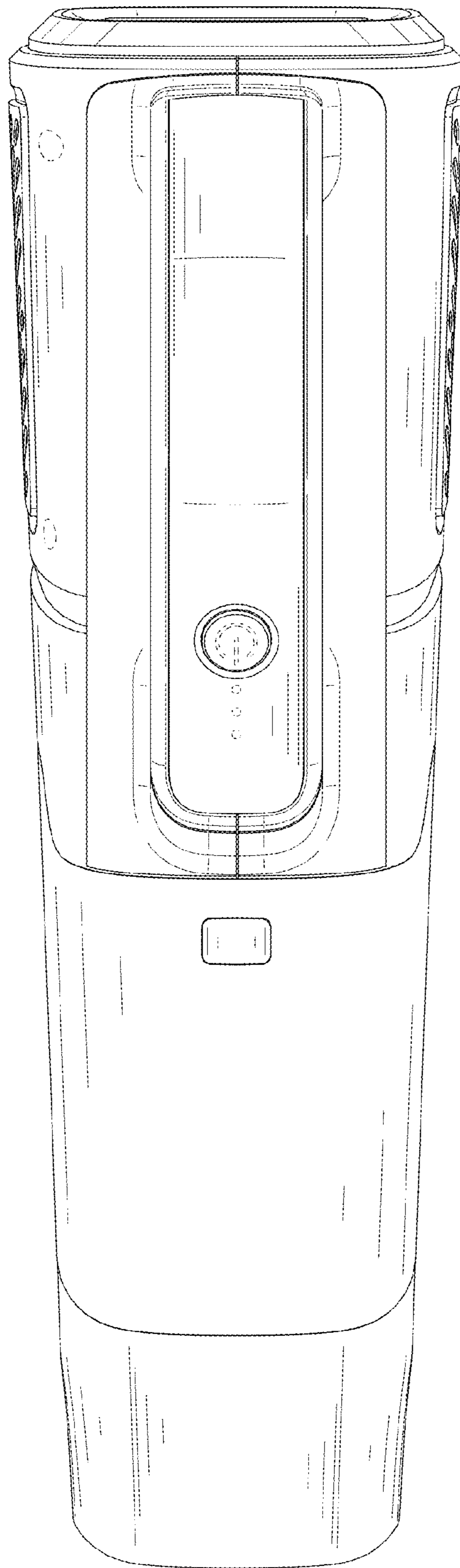


FIG. 3

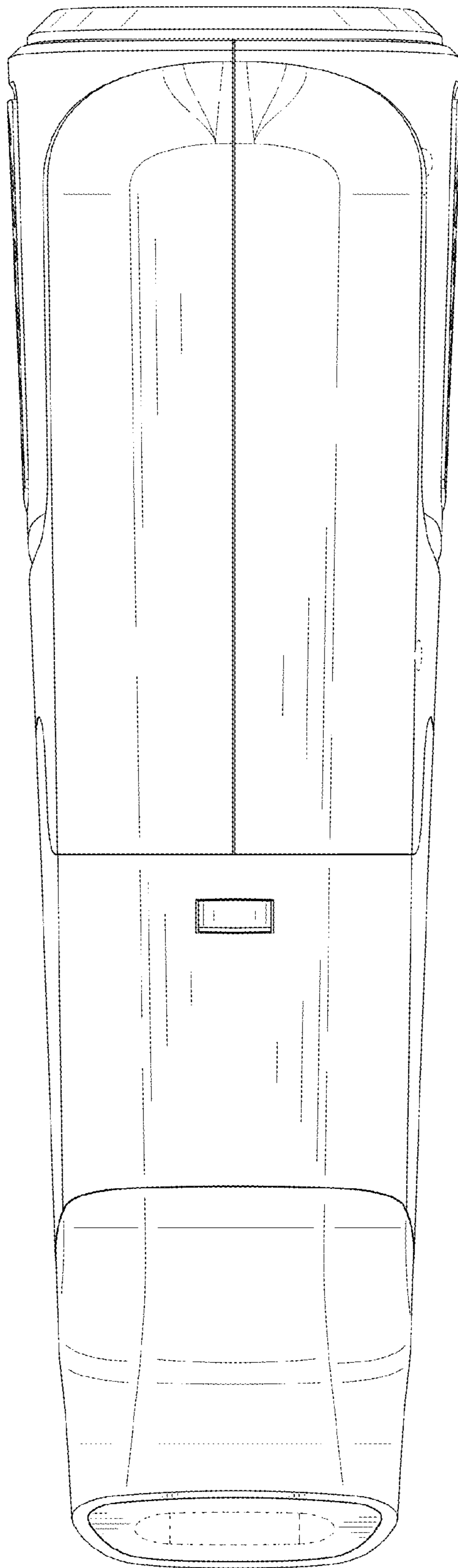


FIG. 4

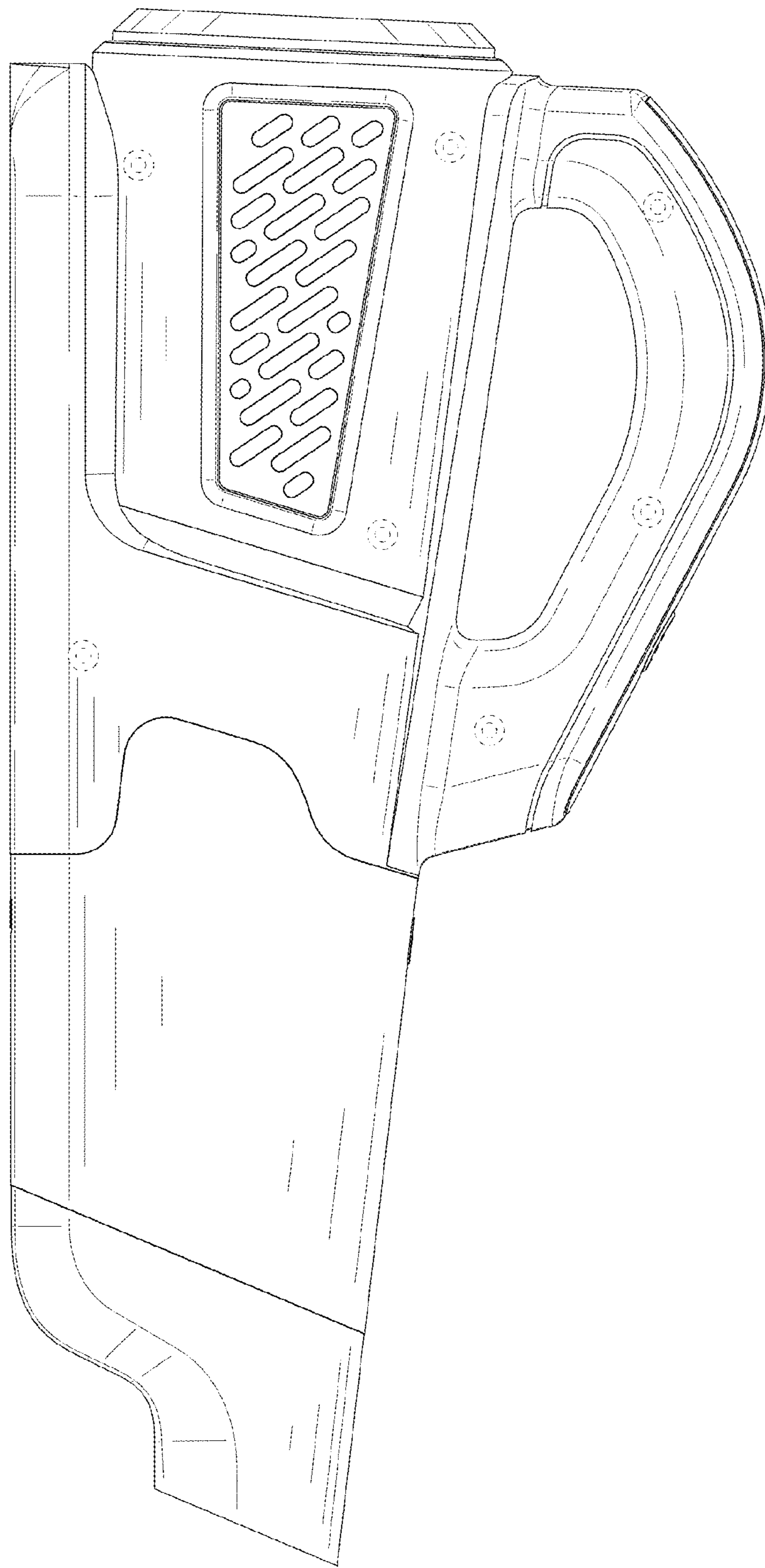


FIG. 5

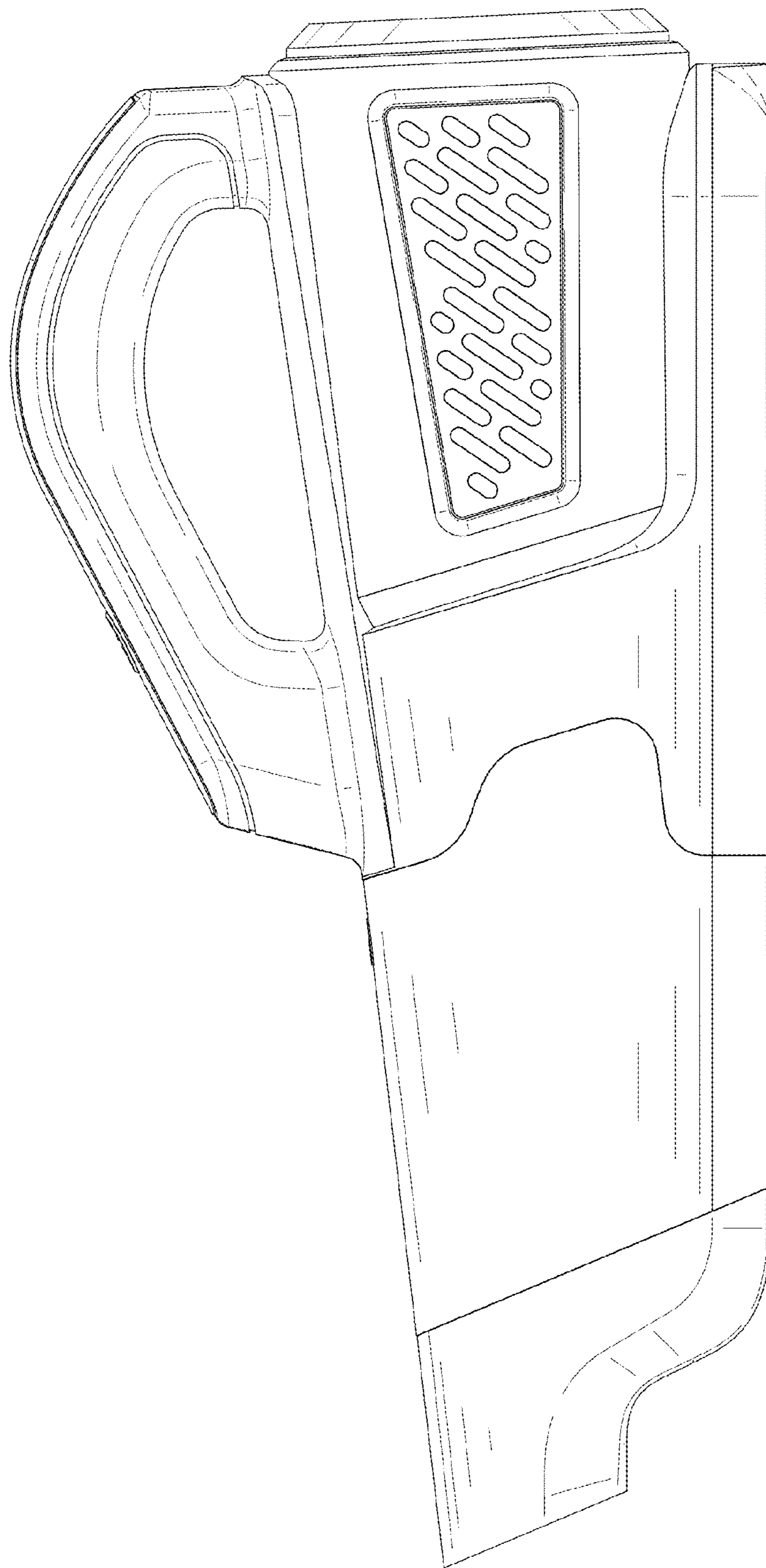


FIG. 6

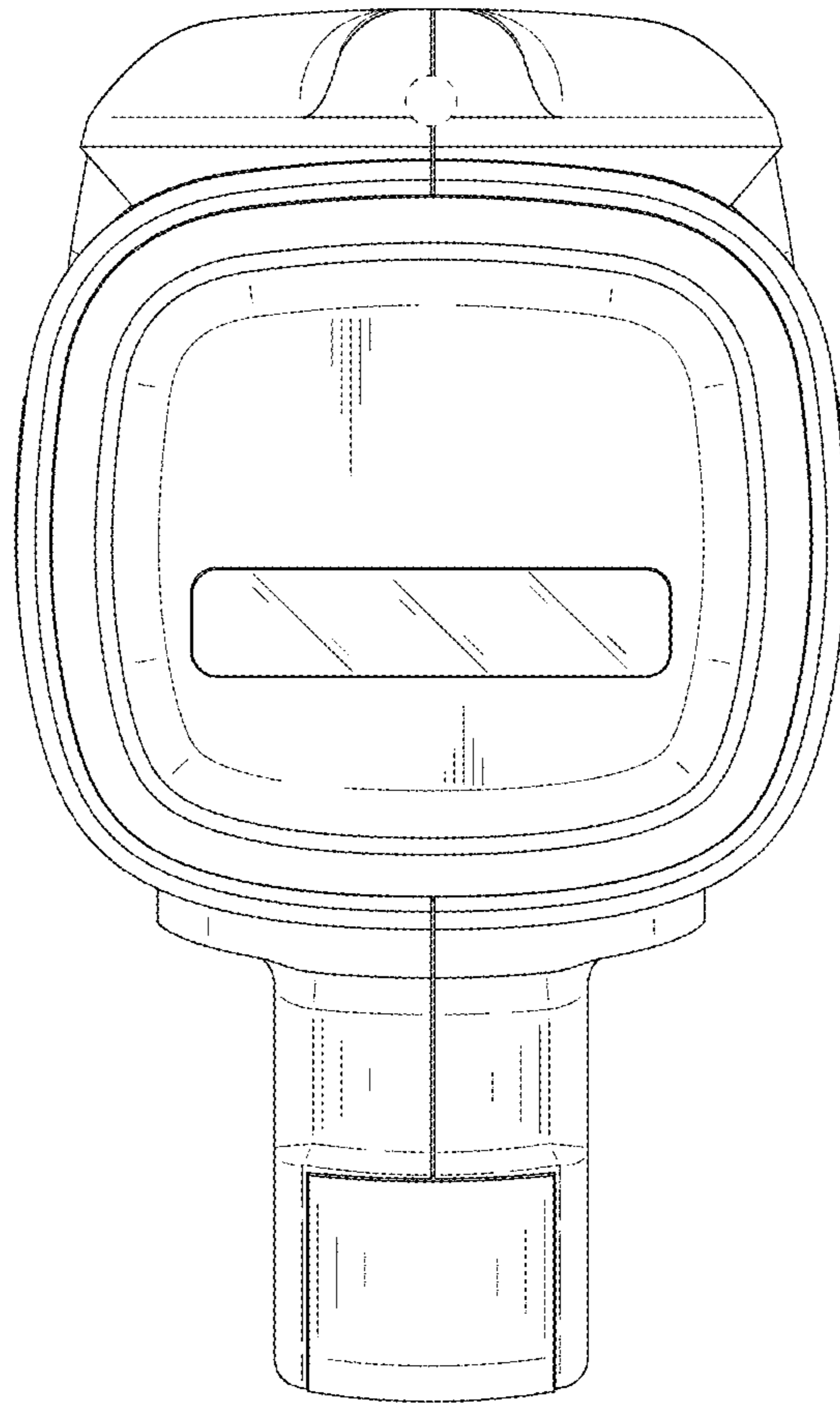


FIG. 7

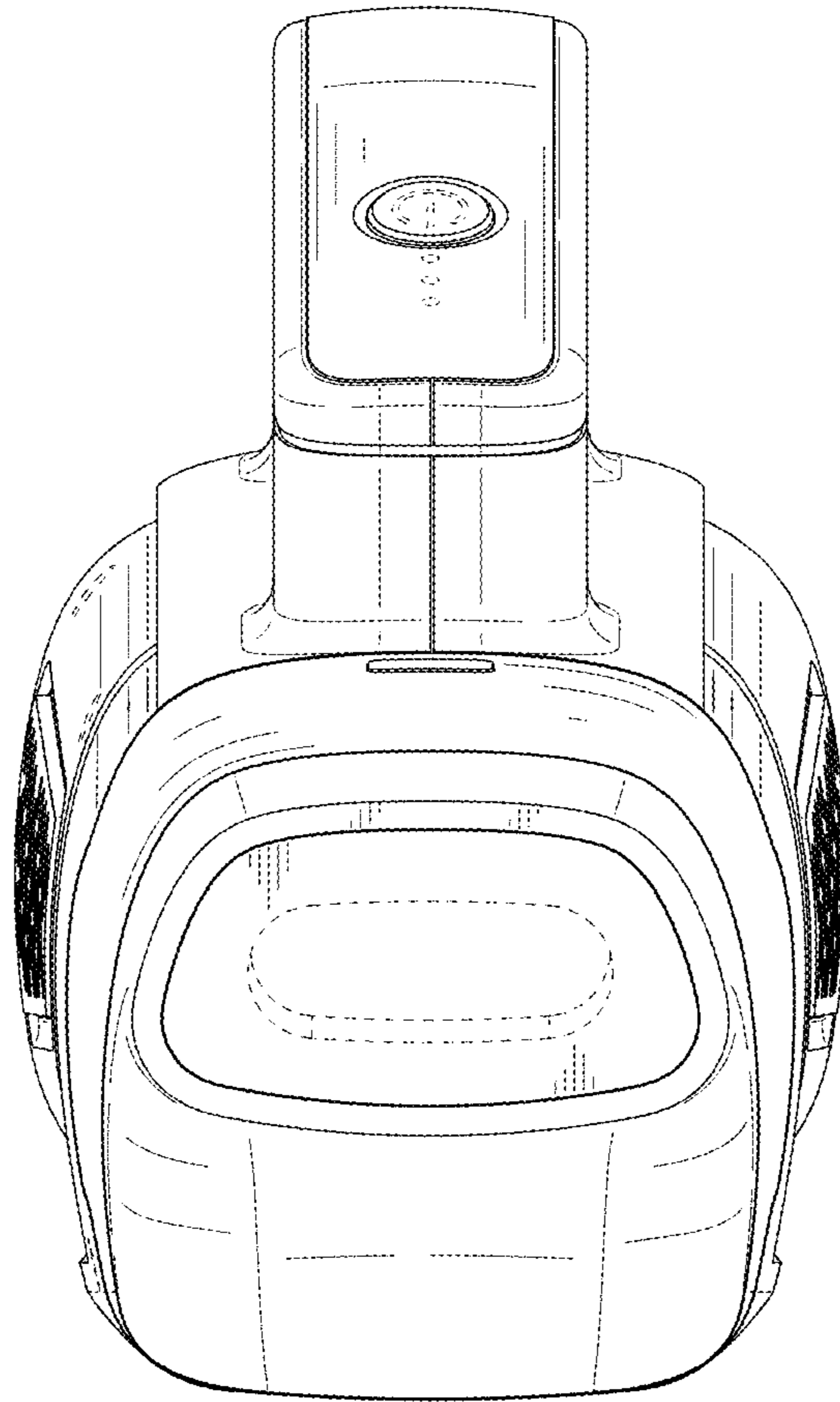


FIG. 8

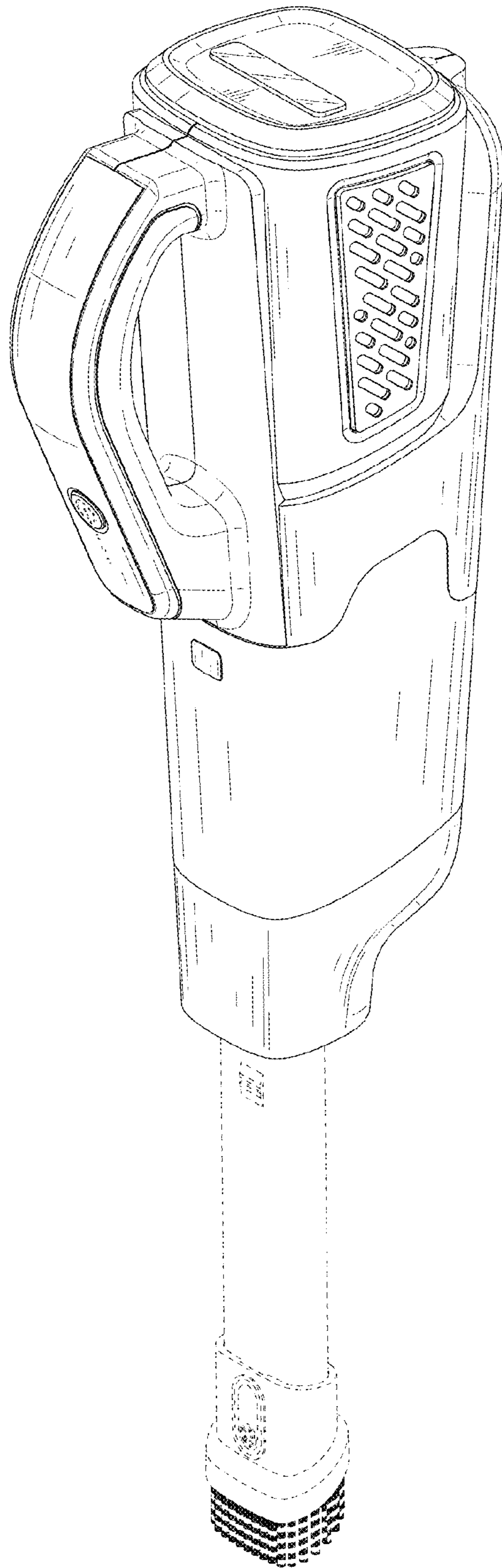


FIG. 9