



US00D952968S

(12) **United States Design Patent** (10) **Patent No.:** **US D952,968 S**
Li (45) **Date of Patent:** **** May 24, 2022**

(54) **TRANSMITTER FOR DOG TRAINING COLLAR**

(71) Applicant: **Shenzhen Patpet Technology CO., LTD**, Shenzhen (CN)

(72) Inventor: **Linxian Li**, Beijing (CN)

(**) Term: **15 Years**

(21) Appl. No.: **29/704,621**

(22) Filed: **Sep. 5, 2019**

(51) **LOC (13) Cl.** **30-99**

(52) **U.S. Cl.**
USPC **D30/199; D10/104.1**

(58) **Field of Classification Search**
USPC D30/144, 151, 152, 153, 155, 156, 199;
D10/104.1, 104.2, 105, 116.1; D14/137,
D14/188; 119/712, 714, 716, 717, 718,
119/719, 720, 722
CPC A01K 15/02; A01K 15/022
See application file for complete search history.

(56) **References Cited**

U.S. PATENT DOCUMENTS

D482,630 S	*	11/2003	So	D30/199
D535,902 S	*	1/2007	Kaufman	D30/199
D545,790 S	*	7/2007	Jameson	D10/104.1
D558,703 S	*	1/2008	Kwong	D14/137
D721,861 S	*	1/2015	Guo	D30/199
D737,004 S	*	8/2015	Russell	D30/199

D774,935 S	*	12/2016	Liu	D10/104.1
D805,701 S	*	12/2017	Li	D30/199
D835,860 S	*	12/2018	Li	D30/199
D835,861 S	*	12/2018	Li	D30/199
D862,812 S	*	10/2019	Jia	D30/199
D881,148 S	*	4/2020	Wang	D14/137
D881,486 S	*	4/2020	Li	D30/199

FOREIGN PATENT DOCUMENTS

CN 305744161 * 4/2020

* cited by examiner

Primary Examiner — Michael C Stout
Assistant Examiner — Katrina N Gonzalez

(57) **CLAIM**

The ornamental design for a transmitter for dog training collar, as shown and described.

DESCRIPTION

FIG. 1 is a top right perspective of a transmitter for dog training collar showing my new design; FIG. 2 is a front elevational view thereof; FIG. 3 is a left side elevational view thereof; FIG. 4 is a right side elevational view thereof; FIG. 5 is a rear elevational view thereof; FIG. 6 is a top plan view thereof; and, FIG. 7 is a bottom plan view thereof.

The broken lines in the drawings depict portions of the transmitter for dog training collar that form no part of the claimed design.

1 Claim, 7 Drawing Sheets





FIG. 1

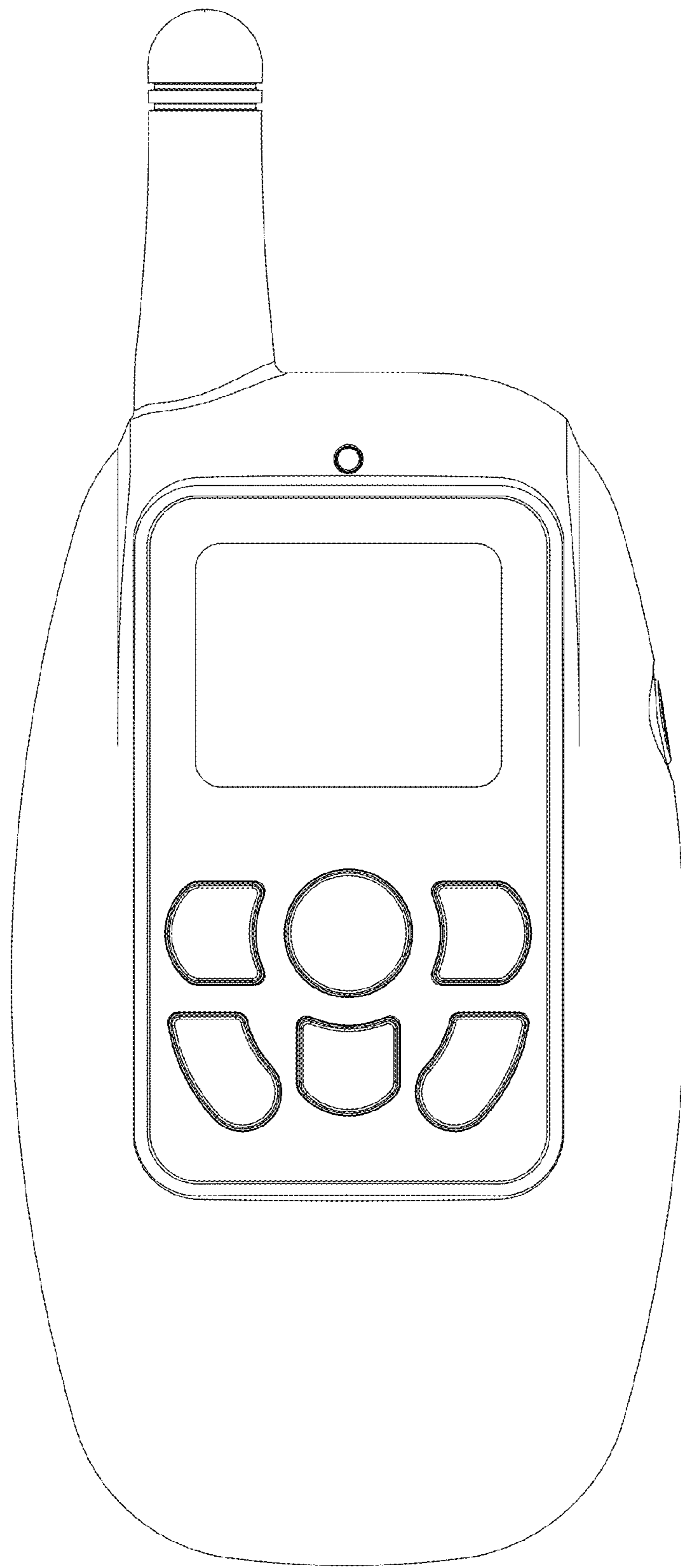


FIG. 2

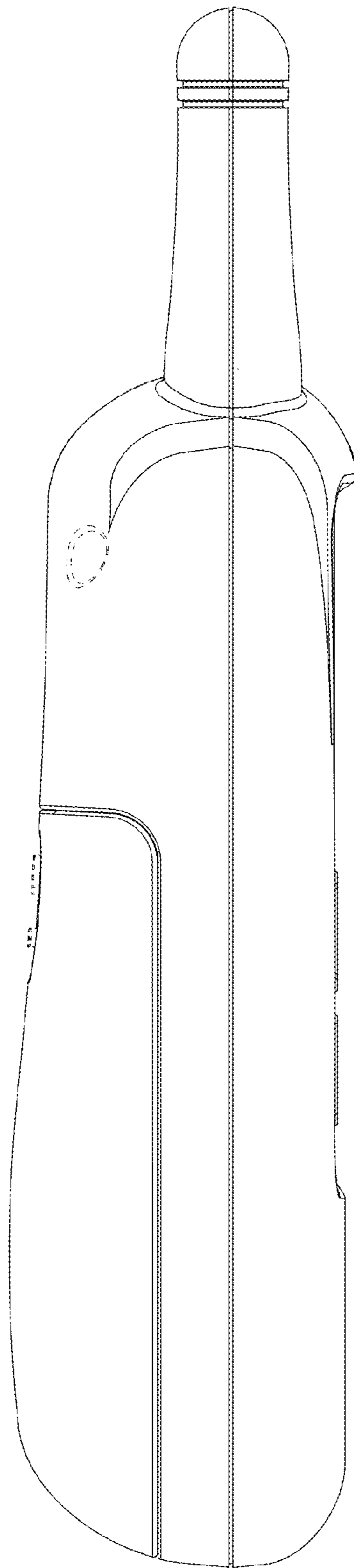


FIG. 3

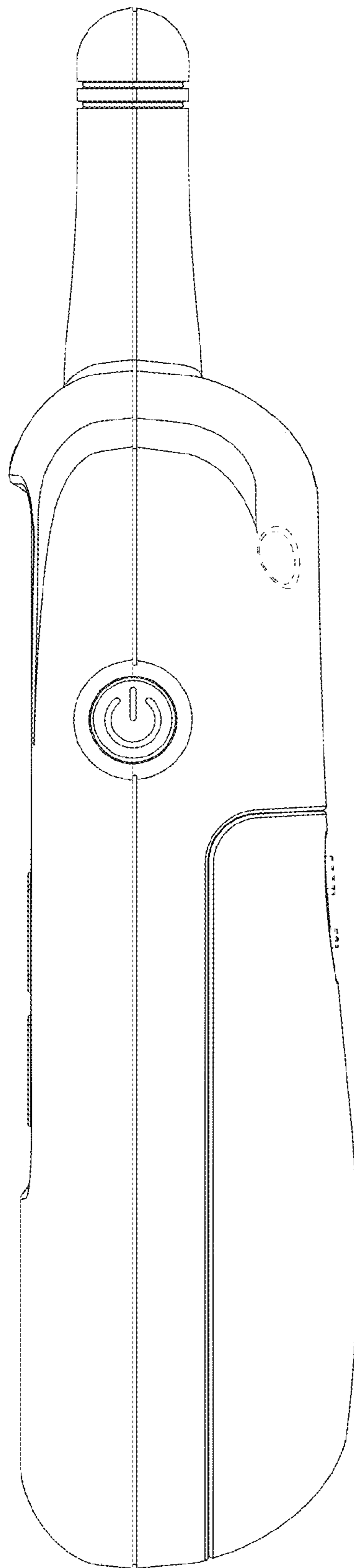


FIG. 4

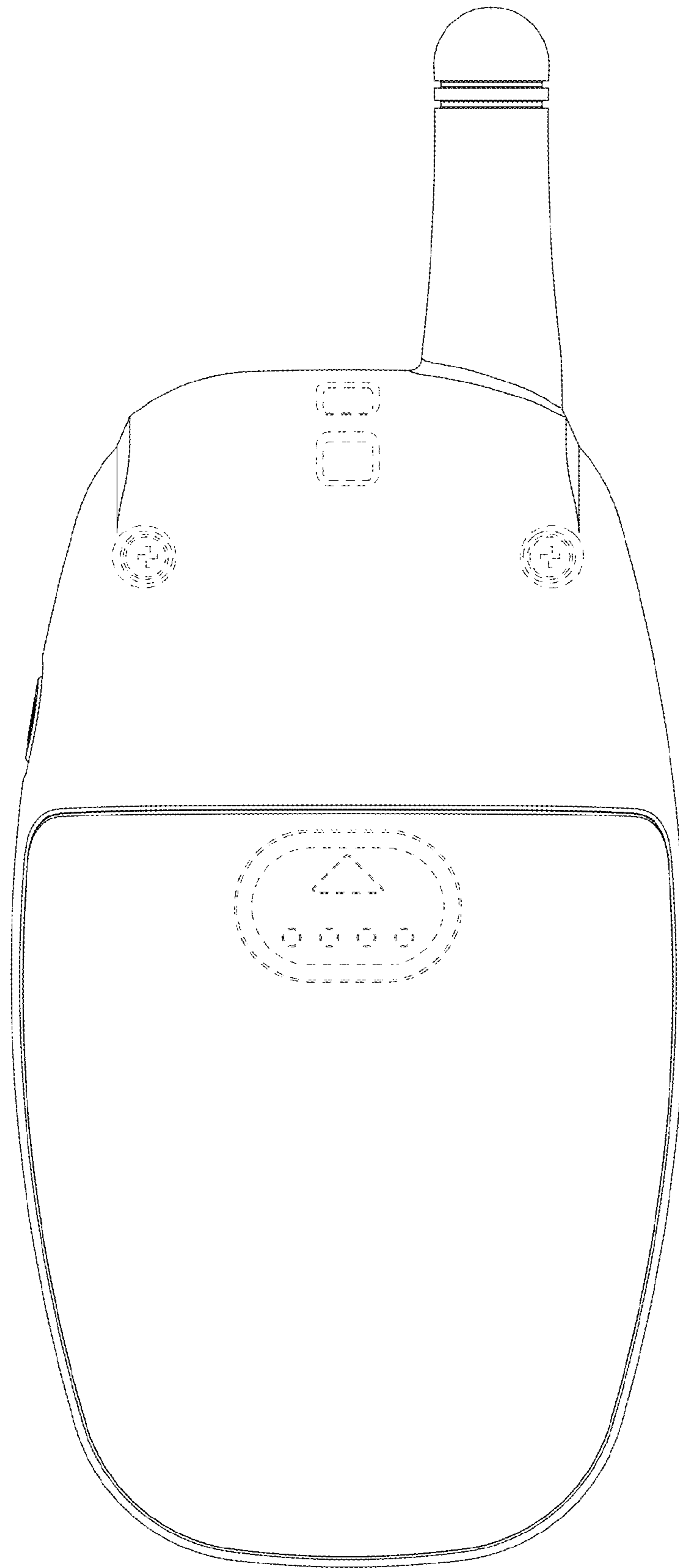


FIG. 5

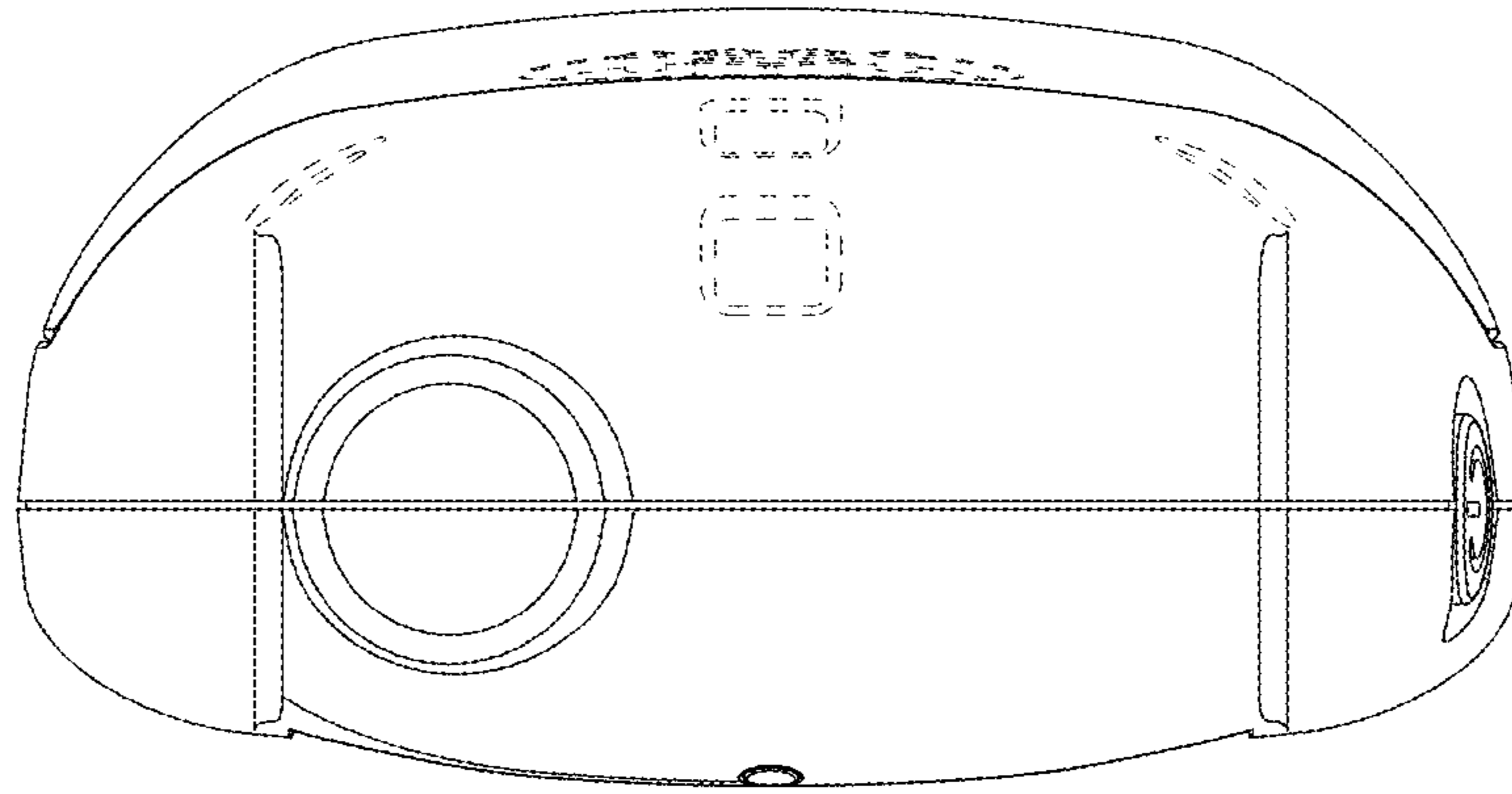


FIG. 6

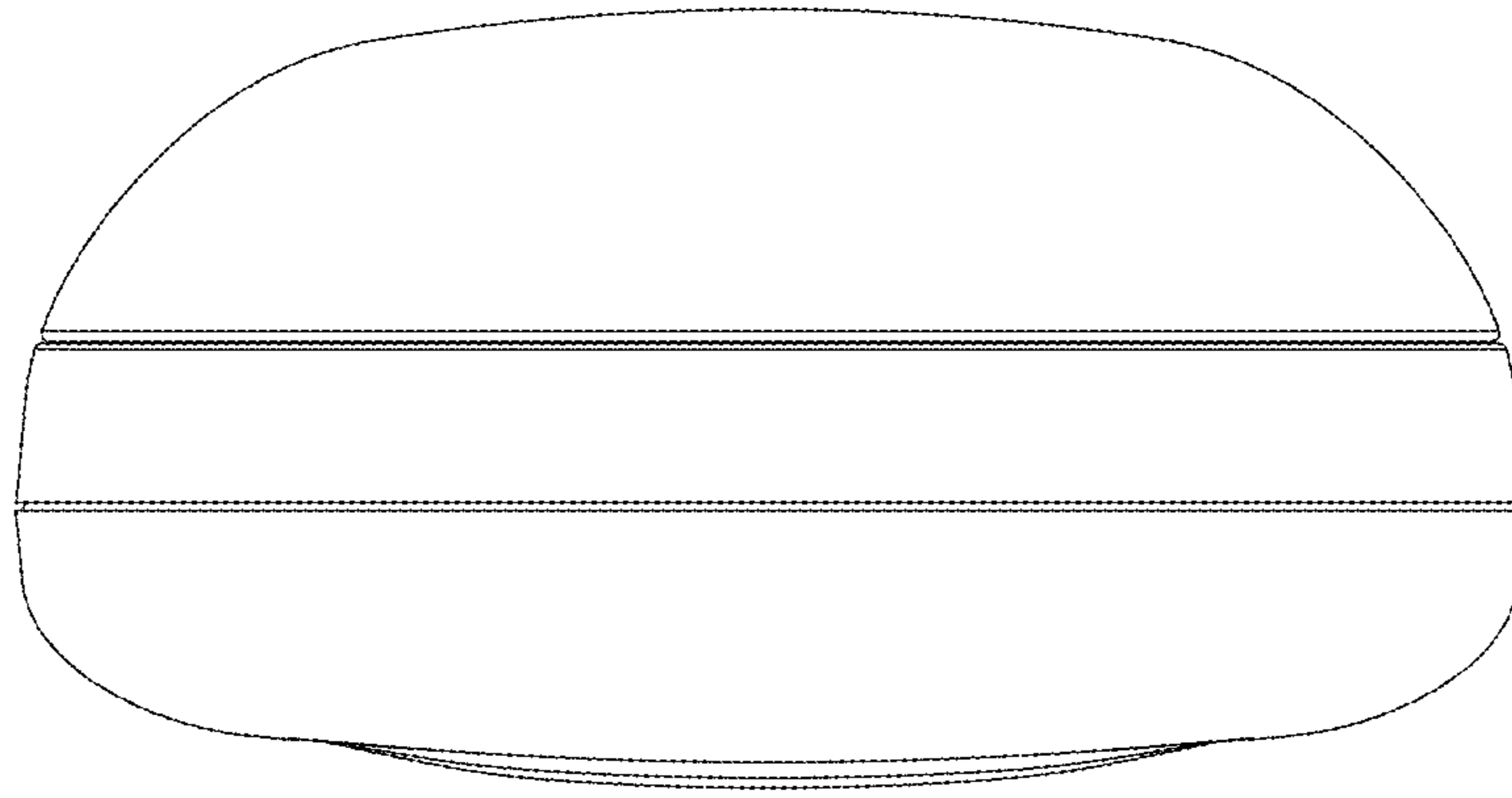


FIG. 7