



US00D952966S

(12) **United States Design Patent**  
**Wang**

(10) **Patent No.:** **US D952,966 S**

(45) **Date of Patent:** **\*\* May 24, 2022**

(54) **ROLLING CAT TOY**

(71) Applicant: **Lingbo Wang**, Hubei (CN)

(72) Inventor: **Lingbo Wang**, Hubei (CN)

(\*\*) Term: **15 Years**

(21) Appl. No.: **29/752,560**

(22) Filed: **Sep. 28, 2020**

(30) **Foreign Application Priority Data**

Jul. 1, 2020 (CN) ..... 202030347312.6

(51) **LOC (13) Cl.** ..... **30-99**

(52) **U.S. Cl.**  
USPC ..... **D30/160**

(58) **Field of Classification Search**  
USPC ..... D30/160, 112, 119; D21/386, 398, 484,  
D21/707, 712, 713; D24/193, 194, 195,  
D24/211-214; D15/199  
CPC ..... A01K 15/025; A01K 15/02; A01K 15/029  
See application file for complete search history.

(56) **References Cited**

**U.S. PATENT DOCUMENTS**

D141,089 S *	5/1945	Coble	.....	D21/455
D141,090 S *	5/1945	Coble	.....	D21/455
D224,946 S *	10/1972	Ramel	.....	D24/211
D626,706 S *	11/2010	Ragonetti	.....	D30/160
D808,088 S *	1/2018	Stone	.....	D30/160
D857,129 S *	8/2019	Lim	.....	D21/662
D871,965 S *	1/2020	Cao	.....	D21/760
D872,384 S *	1/2020	Crane	.....	D30/160
D879,887 S *	3/2020	Loftin, III	.....	D6/601
D881,483 S *	4/2020	Lin	.....	D30/160
D881,484 S *	4/2020	Lin	.....	D30/160
D890,024 S *	7/2020	Schnapp	.....	D12/1
D892,879 S *	8/2020	Suh	.....	D15/199

D915,007 S *	3/2021	Chen	.....	D30/160
D930,058 S *	9/2021	Mahe	.....	D15/199
11,213,013 B2 *	1/2022	Suh	.....	A01K 15/025
2018/0208263 A1 *	7/2018	Kim	.....	B62K 27/003

**OTHER PUBLICATIONS**

BurgeonNest Interactive Cat Toys, posted at amazon.com, earliest date available Jul. 21, 2020, [online], acquired on Jan. 15, 2022, Available on internet. url:https://www.amazon.com/BurgeonNest-Interactive-Automatic-Rotating-Charging/dp/B08D9JRJY8/ref=cm\_cr\_ar\_p\_d\_product\_top?ie=UTF8 (Year: 2020).\*

\* cited by examiner

*Primary Examiner* — Sheryl Lane  
*Assistant Examiner* — Aula Soroush

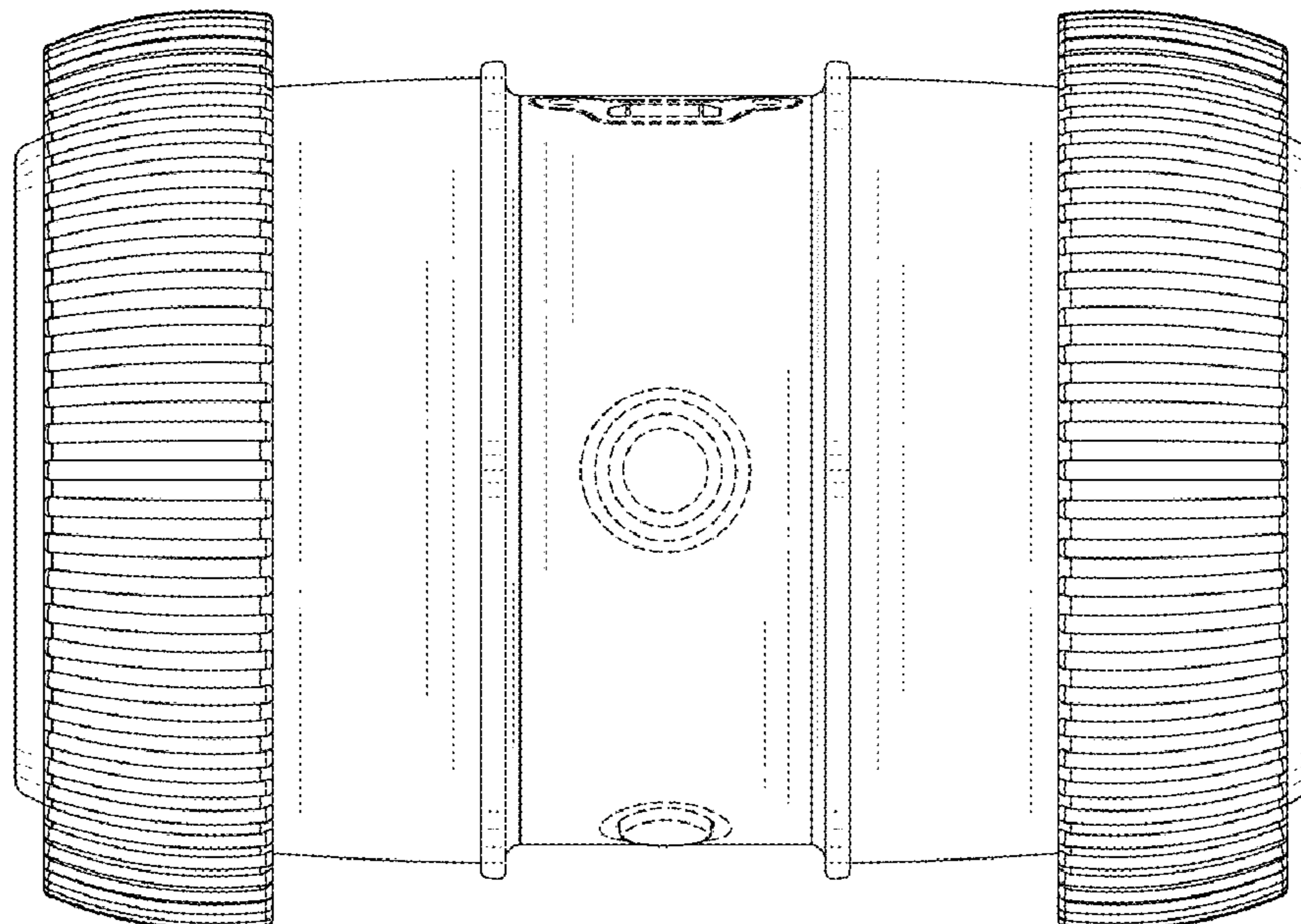
(57) **CLAIM**

The ornamental design for a rolling cat toy, as shown and described.

**DESCRIPTION**

FIG. 1 is a front elevational view of a rolling cat toy showing my new design;  
FIG. 2 is a rear elevational view thereof;  
FIG. 3 is a top plan view thereof;  
FIG. 4 is a bottom plan view thereof;  
FIG. 5 is a left side view thereof;  
FIG. 6 is a right side view thereof;  
FIG. 7 is a bottom, front and right side perspective view thereof;  
FIG. 8 is an enlarge view of portion 8 in FIG. 7; and,  
FIG. 9 is a bottom, front and right side perspective view showing the rolling cat toy in a use state.  
The broken lines in the drawings illustrate portions of the rolling cat toy which form no part of the claimed design.  
The broken lines depicting the rope attached to the rolling cat toy in FIG. 9 also form no part of the claimed design.

**1 Claim, 9 Drawing Sheets**



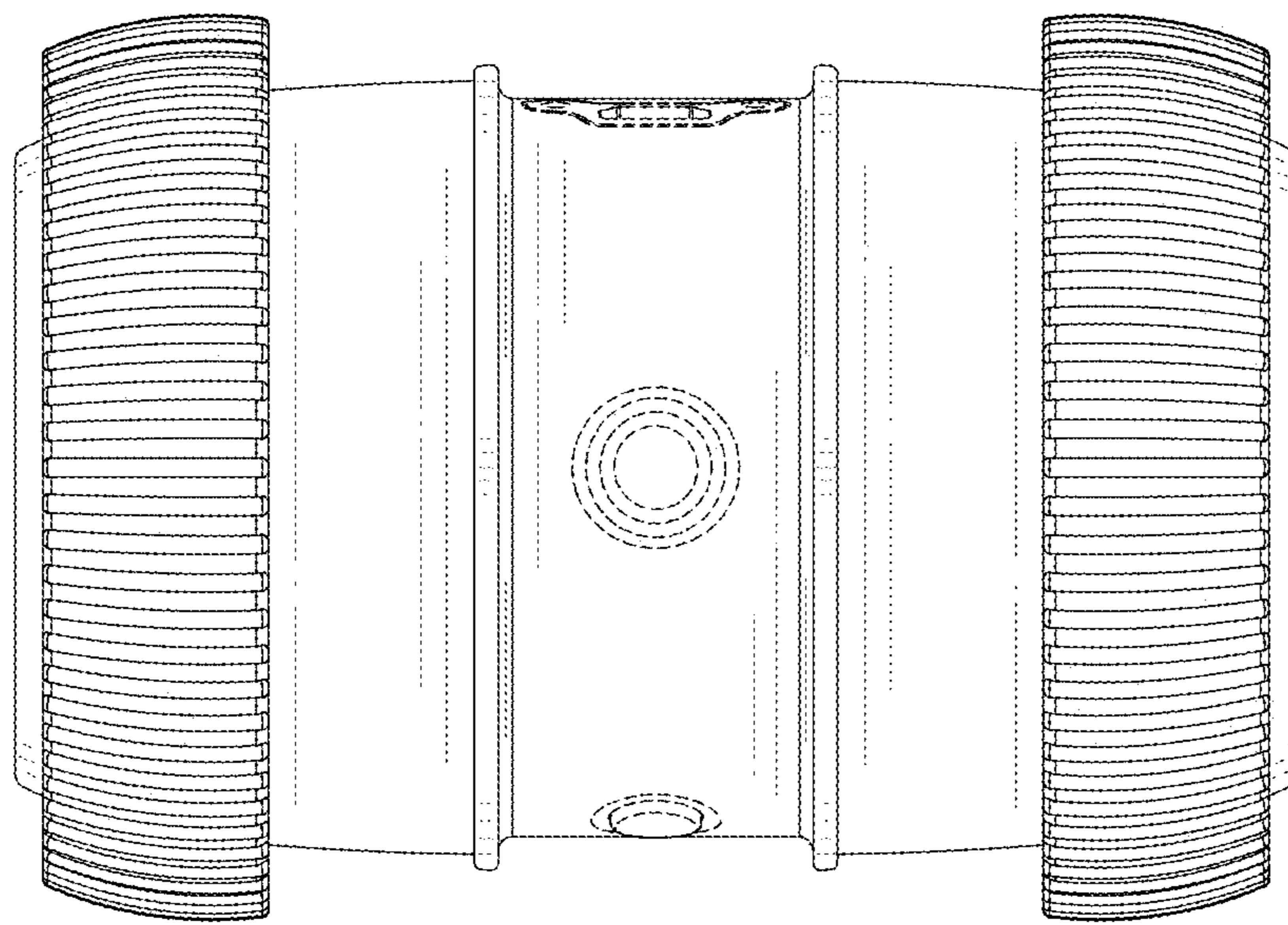


Fig. 1

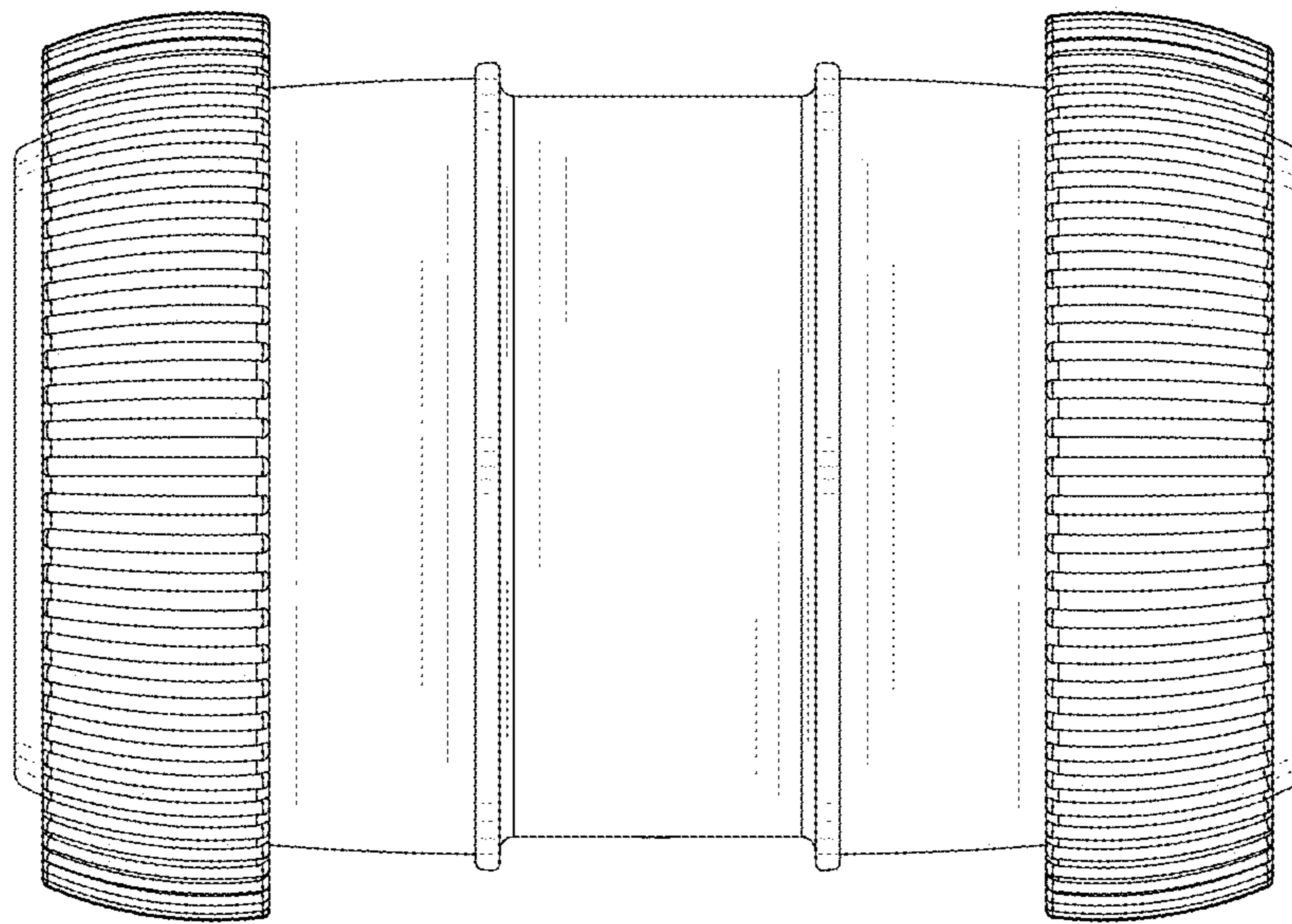


Fig. 2

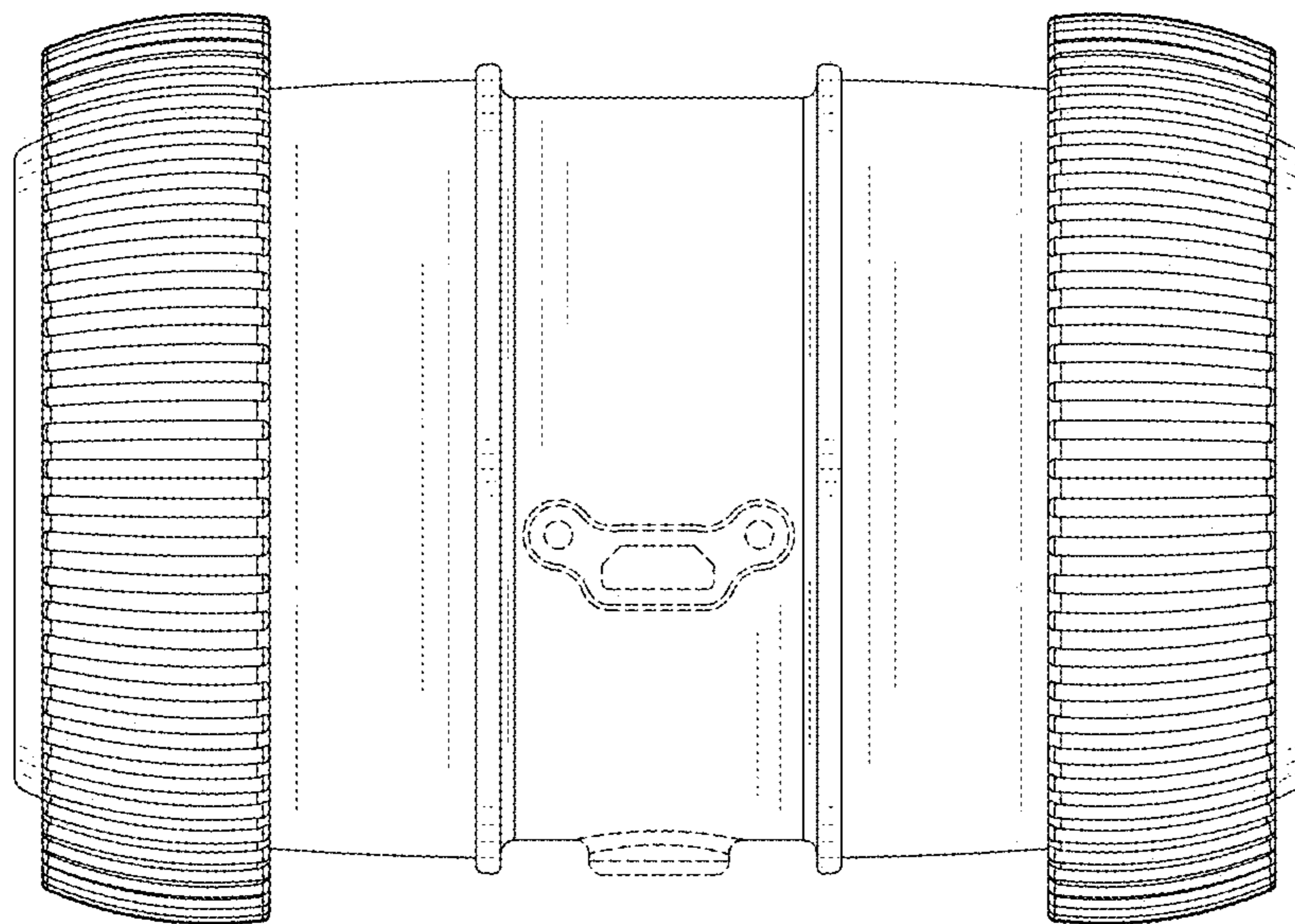


Fig. 3

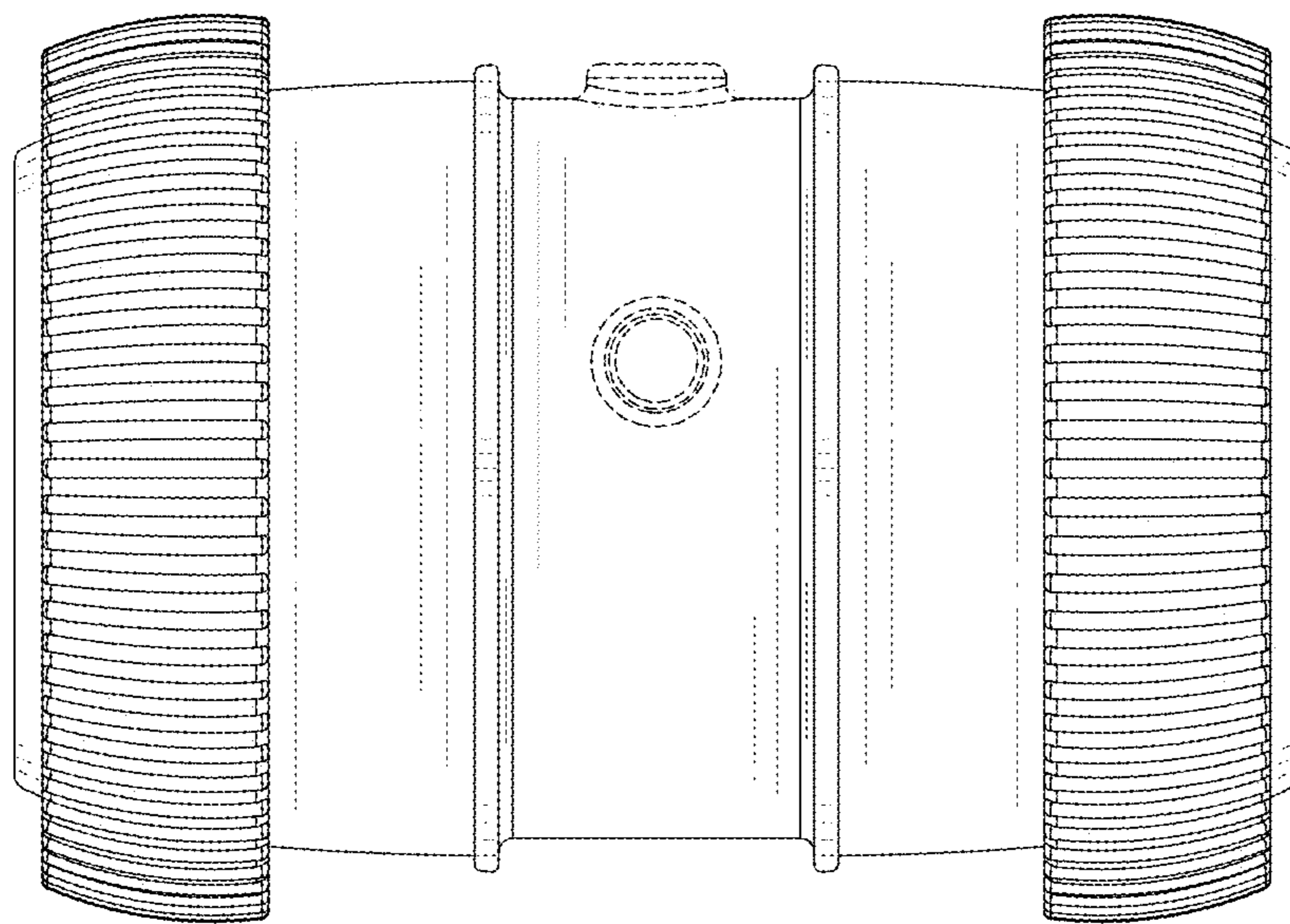


Fig. 4

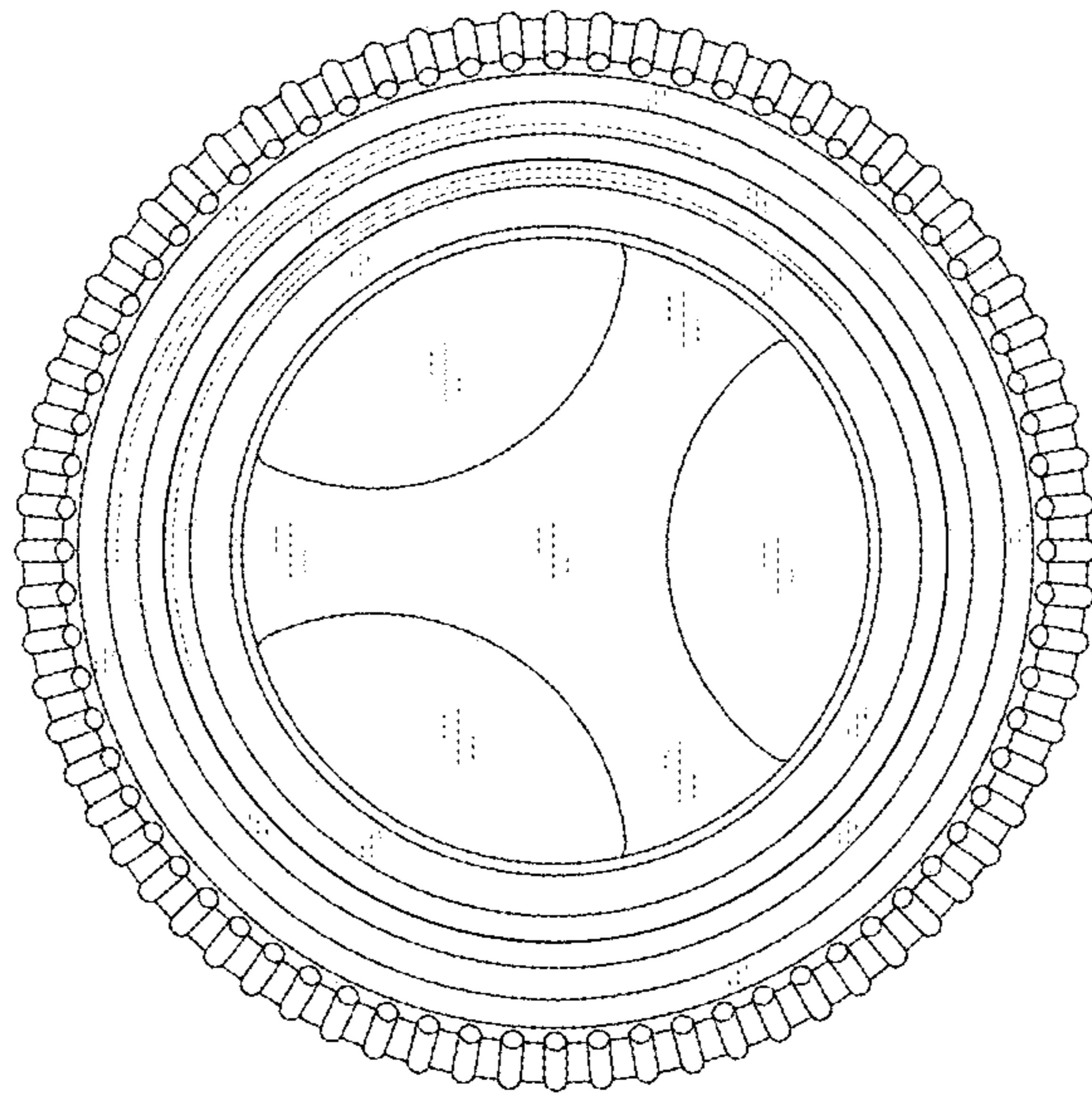


Fig. 5

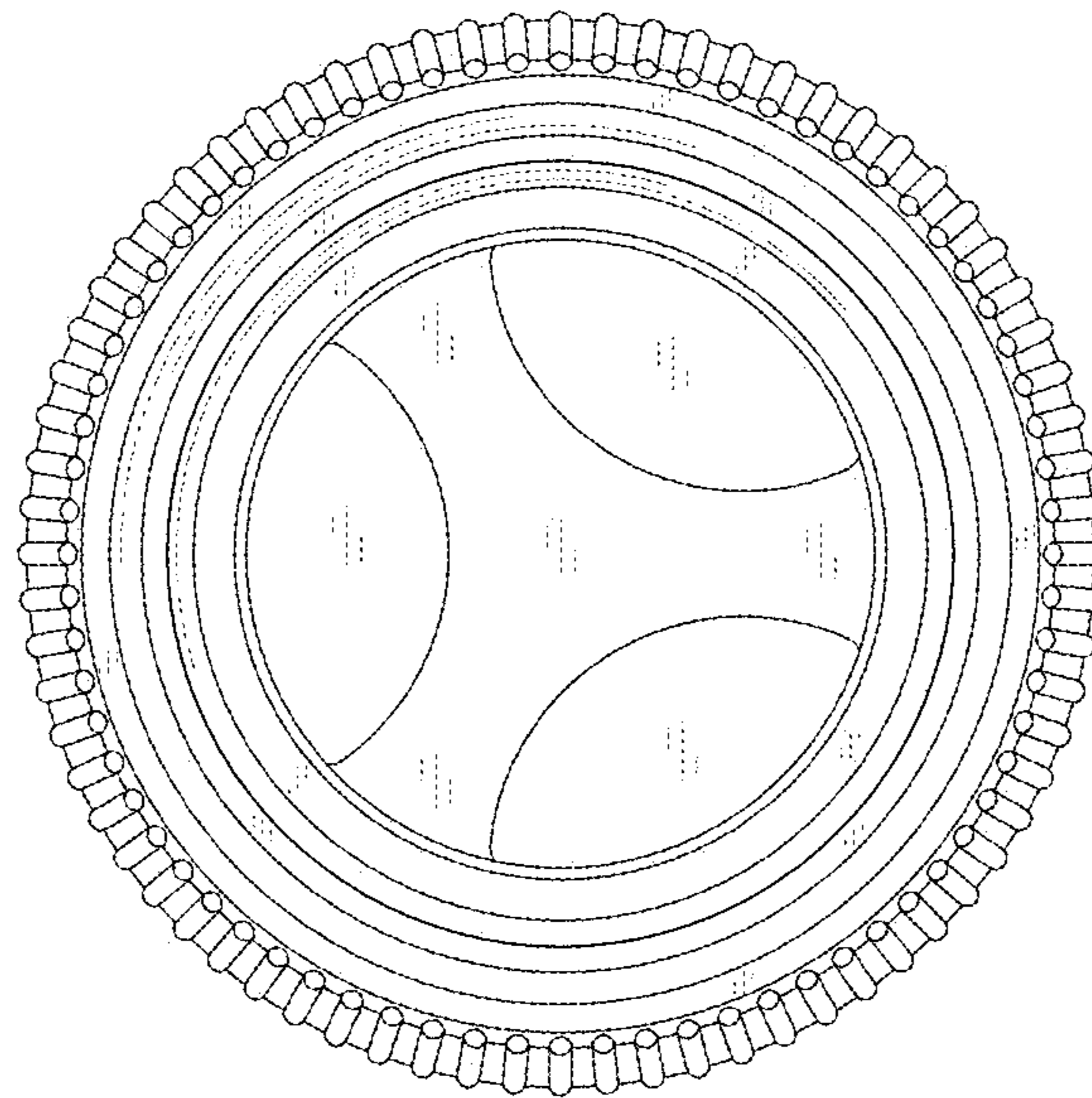


Fig. 6

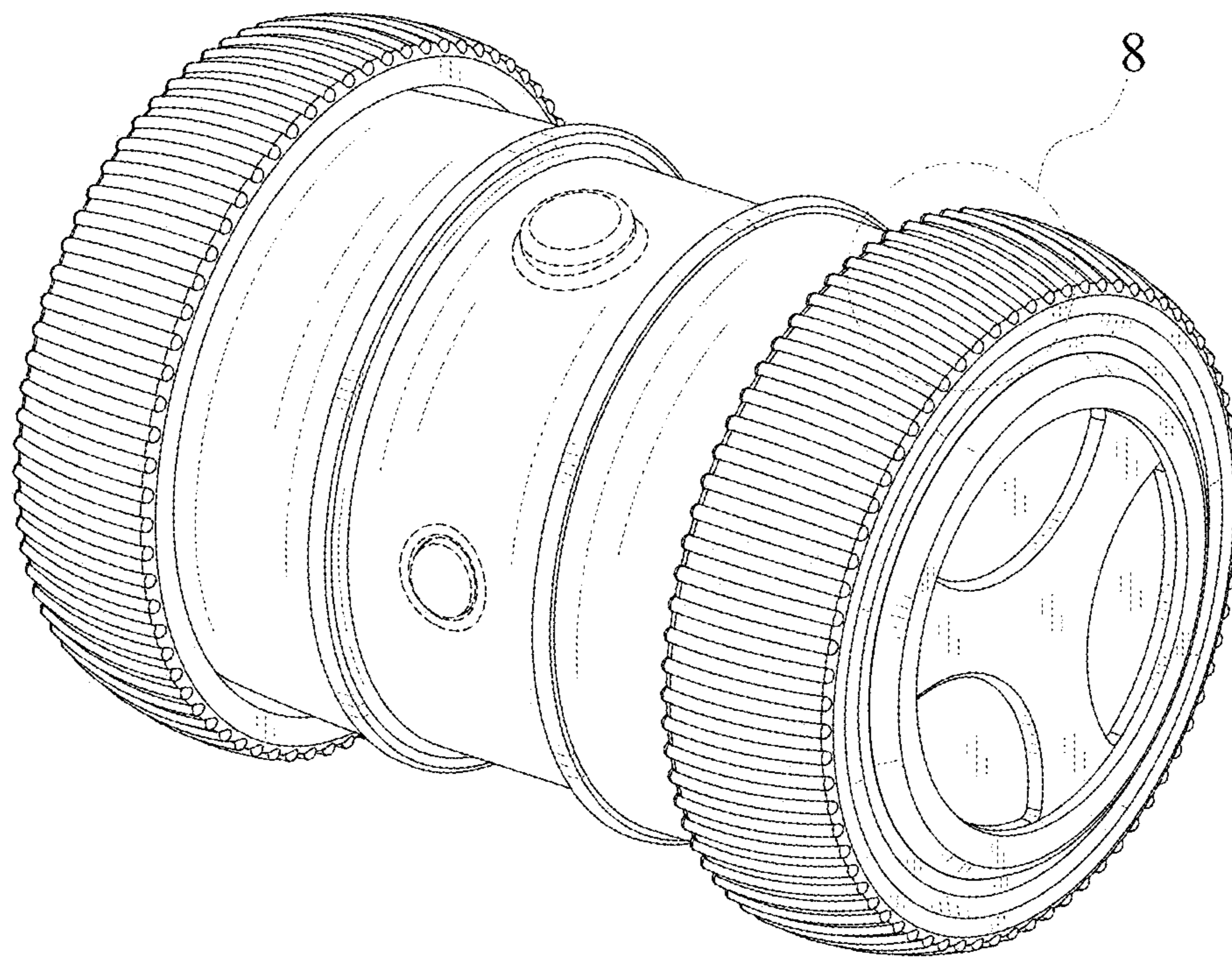


Fig. 7



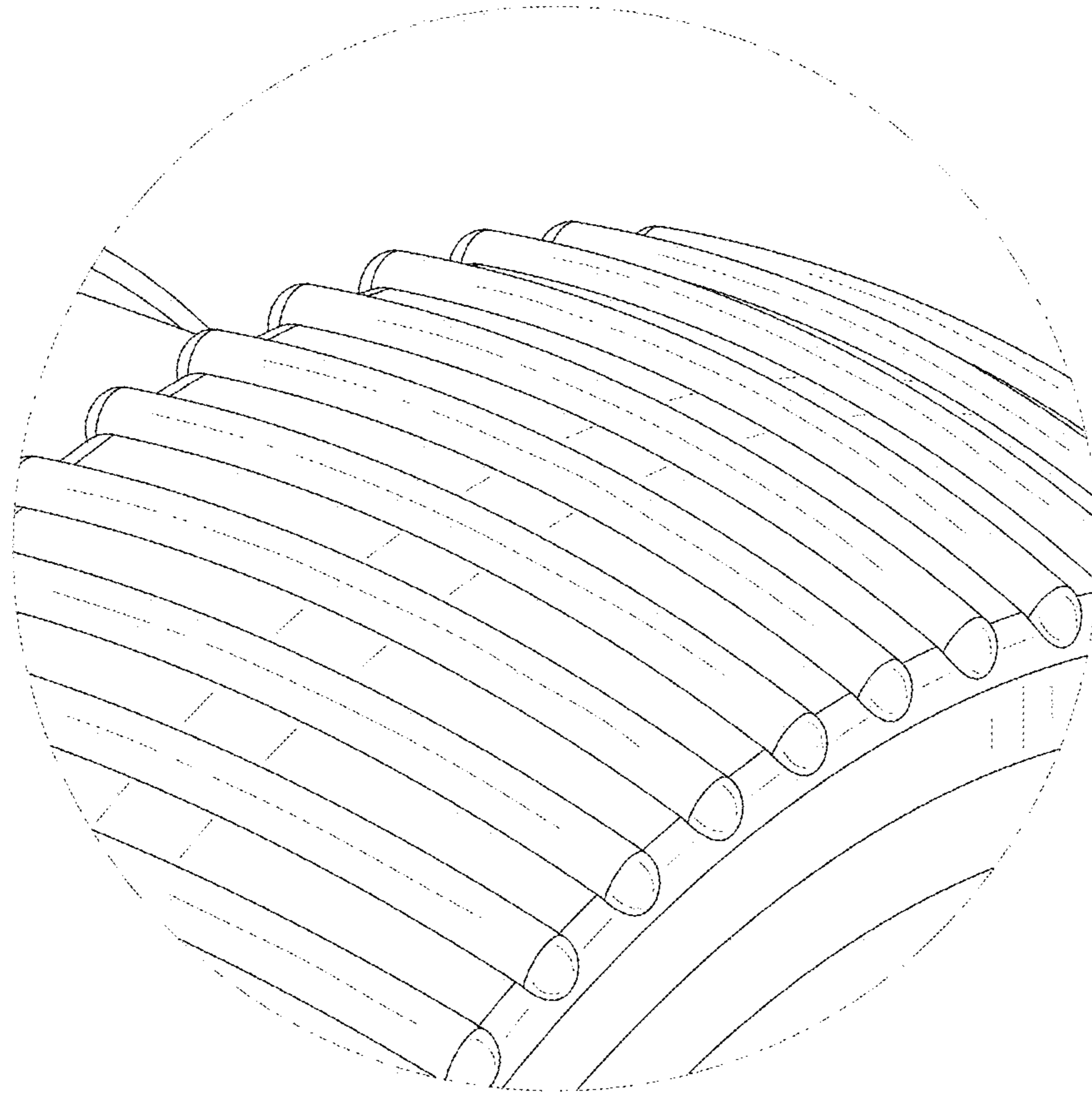


Fig. 8

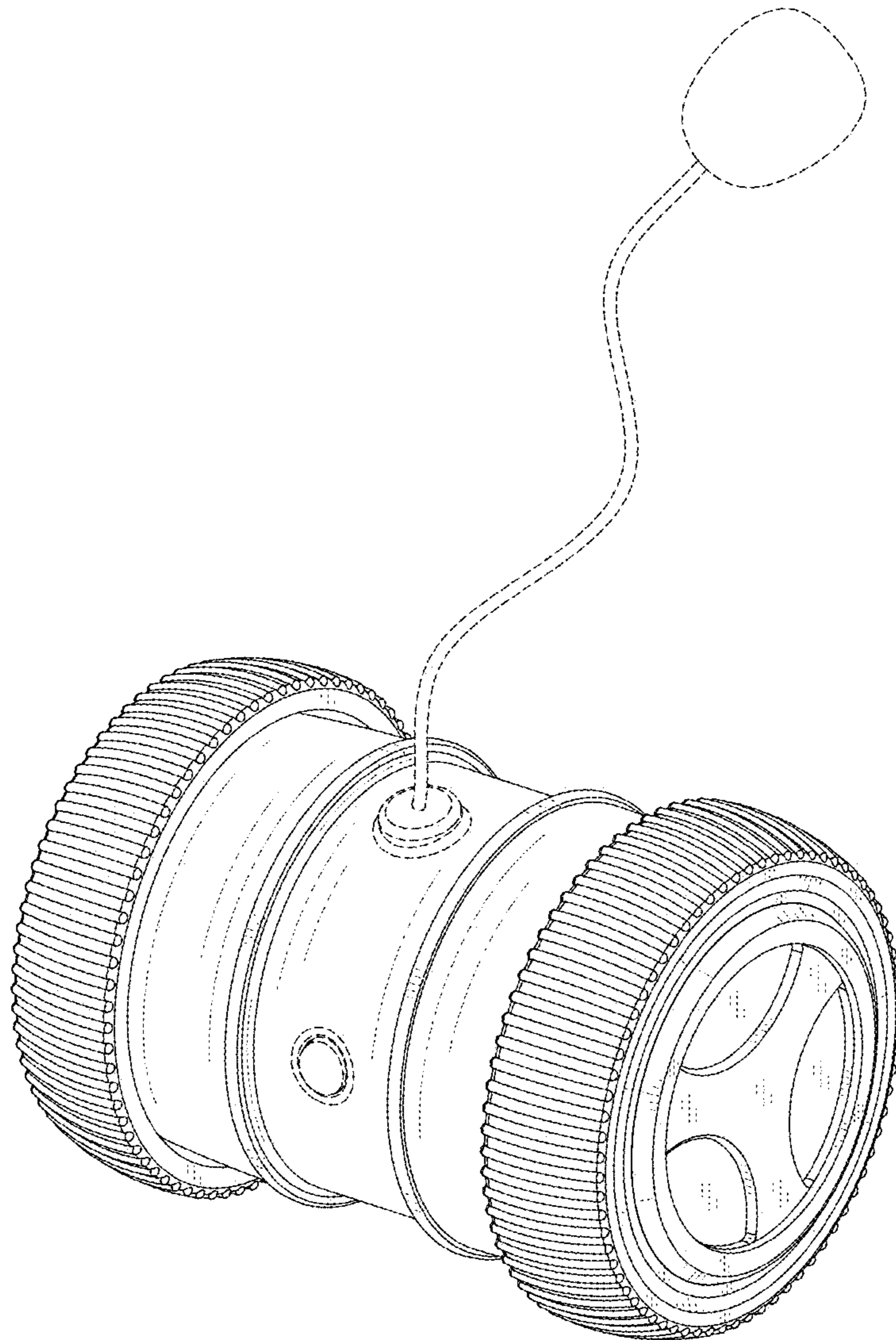


Fig. 9