

US00D952963S

(12) **United States Design Patent** (10) **Patent No.:** **US D952,963 S**
Lee (45) **Date of Patent:** **** May 24, 2022**

(54) **PET NAIL CLIPPER**

(71) Applicant: **Bo Ra Lee**, Gwangju (KR)

(72) Inventor: **Bo Ra Lee**, Gwangju (KR)

(**) Term: **15 Years**

(21) Appl. No.: **29/689,160**

(22) Filed: **Apr. 26, 2019**

(51) **LOC (13) Cl.** **30-99**

(52) **U.S. Cl.**
USPC **D30/158**

(58) **Field of Classification Search**
USPC D30/158, 199; 119/600, 608, 609, 610,
119/611, 620
CPC .. A01K 13/00; A01K 13/002; A01K 13/0002;
A45D 29/02; A45D 24/007; A45D 29/04;
A45D 29/05

See application file for complete search history.

(56) **References Cited**

U.S. PATENT DOCUMENTS

D596,357 S *	7/2009	Rosen	D30/158
D600,413 S *	9/2009	Khubani	D30/158
9,913,457 B2 *	3/2018	Kim	A01K 13/00
10,506,796 B1 *	12/2019	Lee	A45D 29/02
D897,054 S *	9/2020	Wu	D30/158
D903,953 S *	12/2020	Liu	D30/158
D903,954 S *	12/2020	Wu	D30/158
D906,074 S *	12/2020	Glockseisen	D8/52
D923,886 S *	6/2021	Wang	D30/158
2006/0158871 A1 *	7/2006	Hopkins	A45D 29/02 362/119
2007/0277378 A1 *	12/2007	Kabella	A61D 1/00 30/29
2015/0150353 A1 *	6/2015	Yiu	A45D 29/14 132/75.6
2016/0044896 A1 *	2/2016	Bo	A01K 13/00 362/119

OTHER PUBLICATIONS

“Walkinnwith LOOKUT Premium Dog Nail Clippers” available Aug. 1, 2019, [online], [site visited Aug. 24, 2021]. Retrieved from Internet, URL: https://www.amazon.com/WALKINNWITH-LOOKUT-Finder-Clippers-Accident-Free/dp/B07VCNJ5TP/ref=cm_cr_arp_d_product_top?ie=UTF8 (Year: 2019).*

“Pink Walkinnwith LOOKUT Premium Dog Nail Clippers” available Dec. 3, 2019, [online], [site visited Aug. 24, 2021]. Retrieved from Internet, URL: <https://www.amazon.com/WALKINNWITH-LOOKUT-Finder-Clippers-Accident-Free/dp/B07VVP7TMV> (Year: 2019).*

* cited by examiner

Primary Examiner — Michael C Stout

Assistant Examiner — Katrina N Gonzalez

(74) *Attorney, Agent, or Firm* — Revolution IP, PLLC

(57) **CLAIM**

The ornamental design for a pet nail clipper, as shown and described.

DESCRIPTION

FIG. 1 is a front, top, and right side perspective view of a pet nail clipper, according to the present disclosure; FIG. 2 is a front elevation view thereof; FIG. 3 is a rear elevation view thereof; FIG. 4 is a left side elevation view thereof; FIG. 5 is a right side elevation view thereof; FIG. 6 is a top plan view thereof; and, FIG. 7 is a bottom plan view thereof.

1 Claim, 7 Drawing Sheets

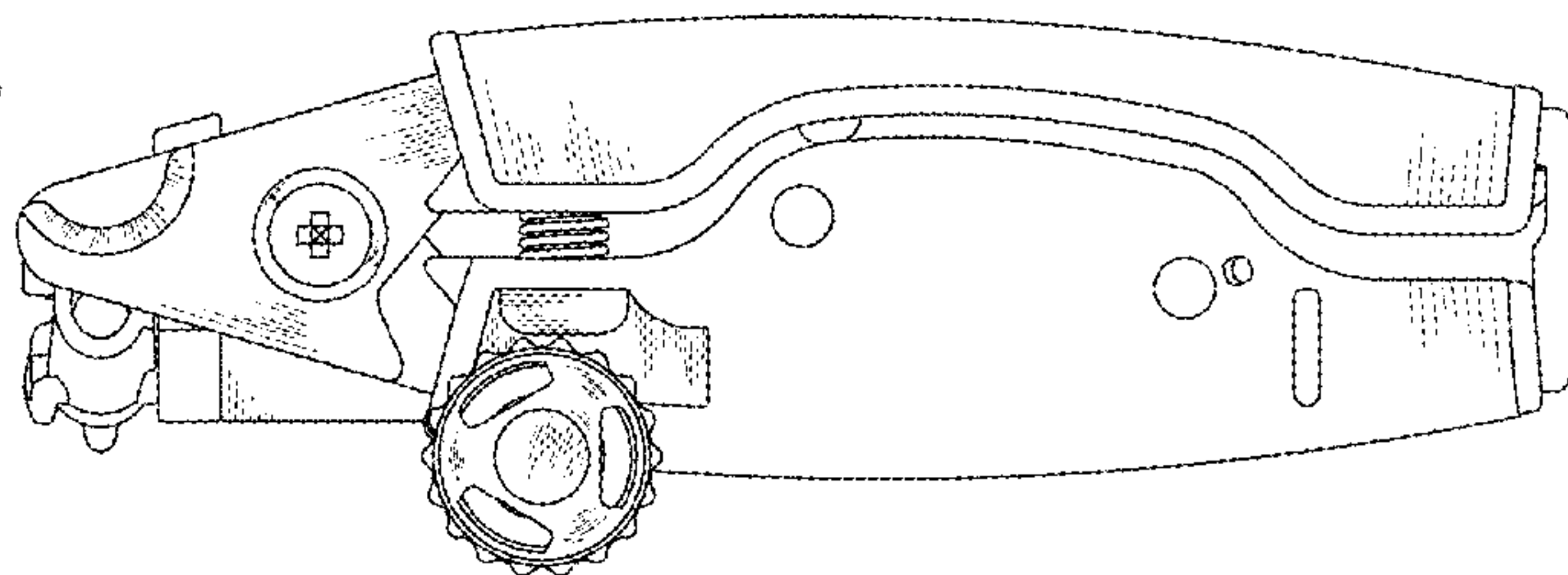
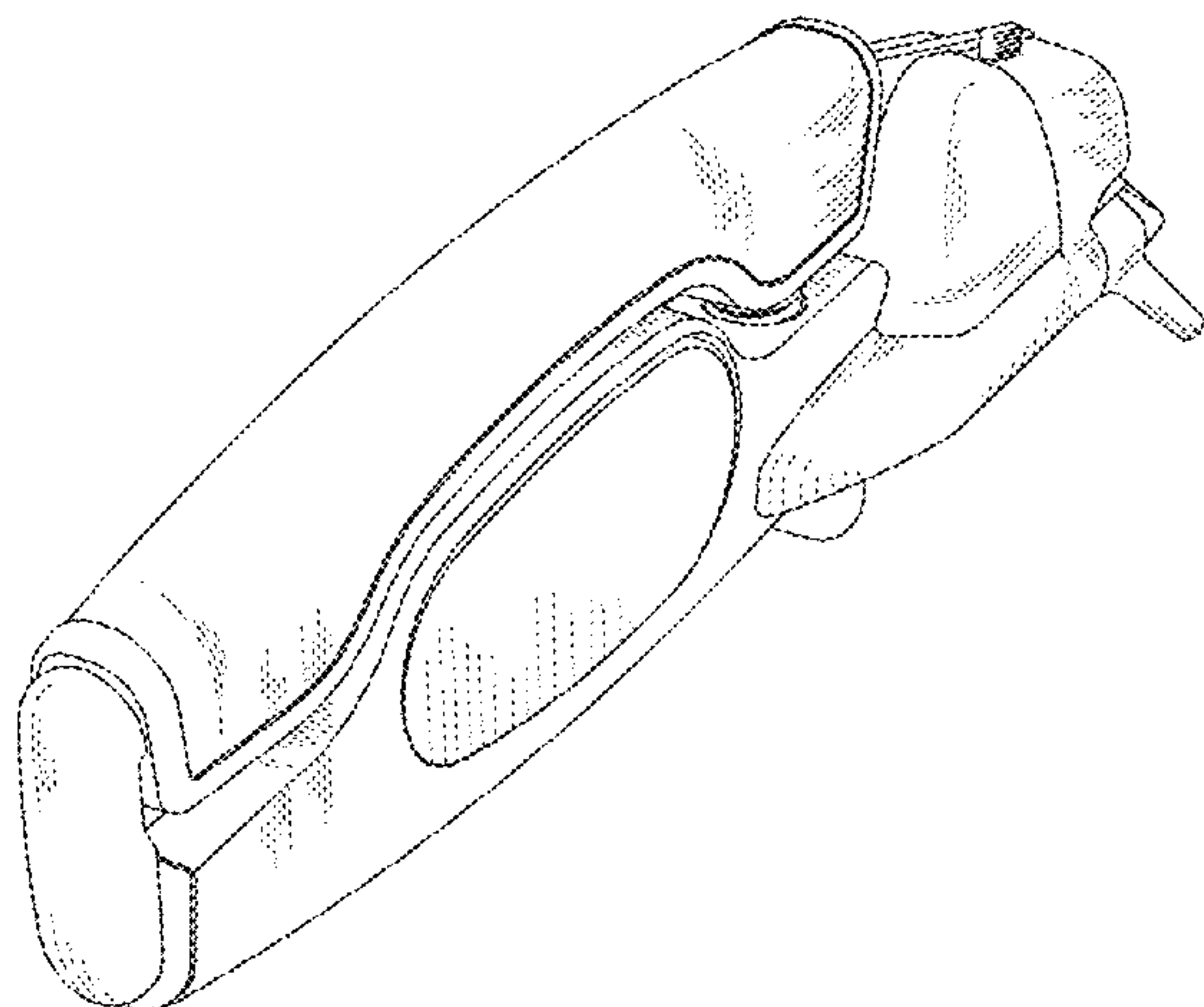


FIG. 1

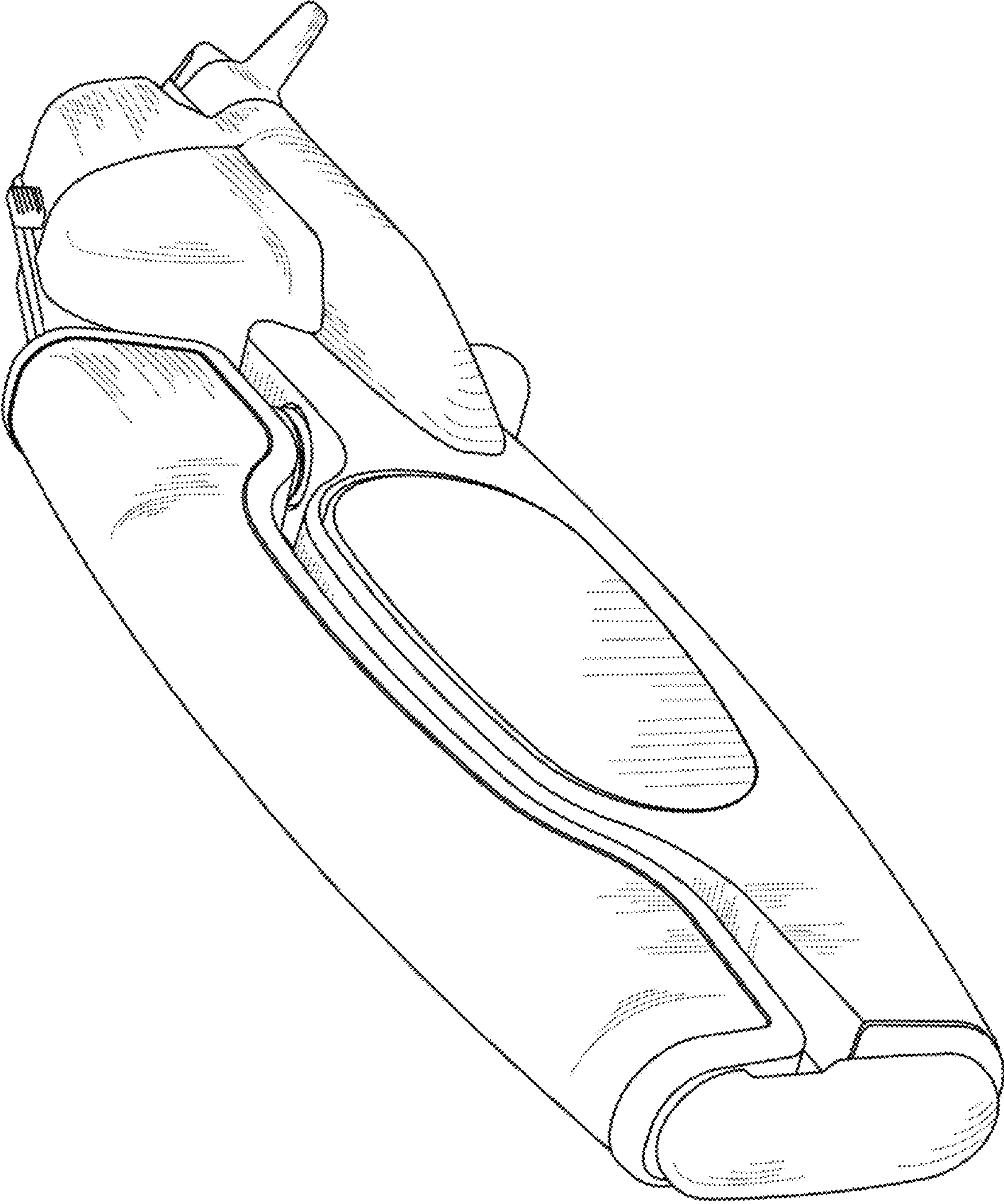


FIG. 2

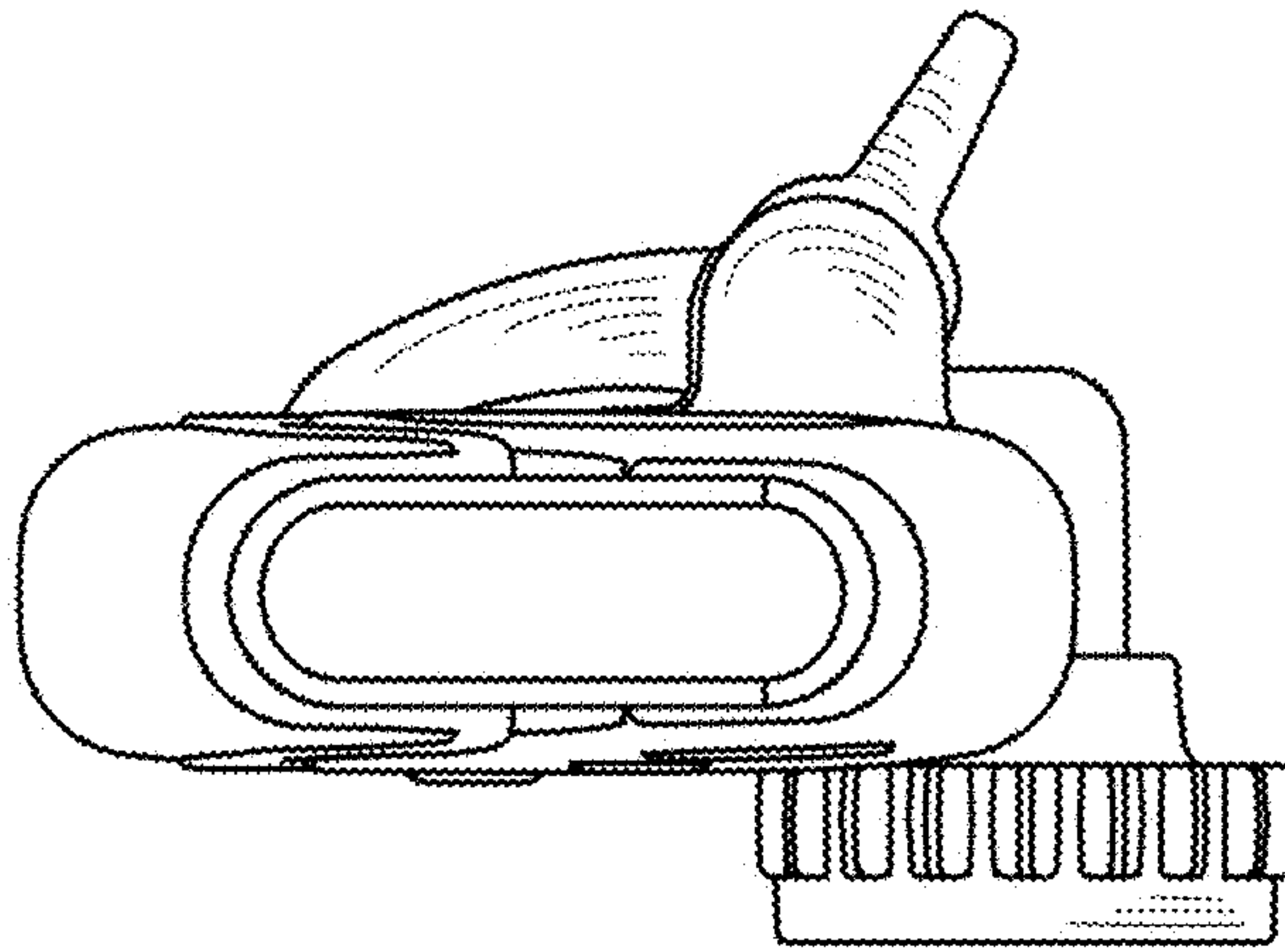


FIG. 3

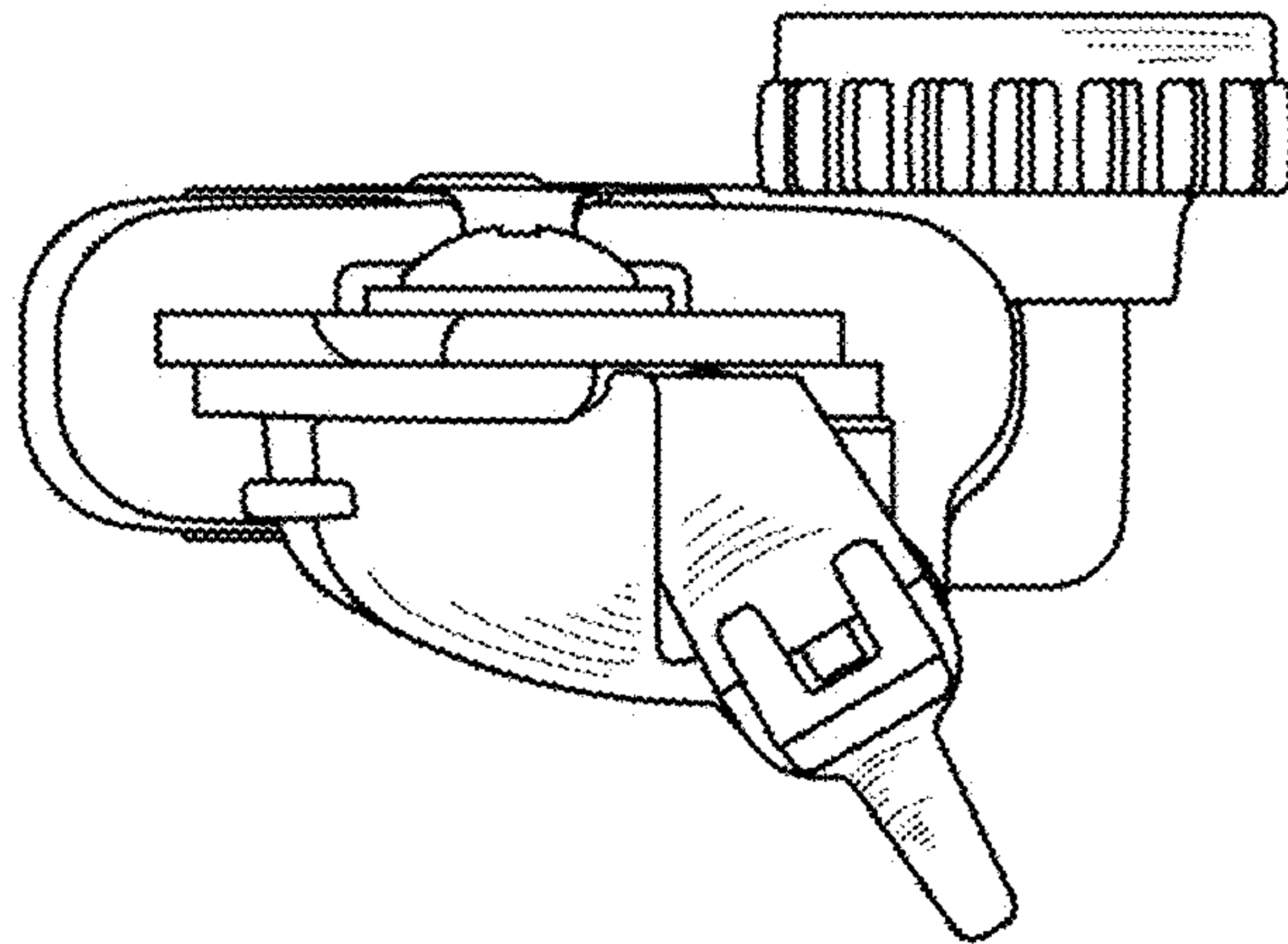


FIG. 4

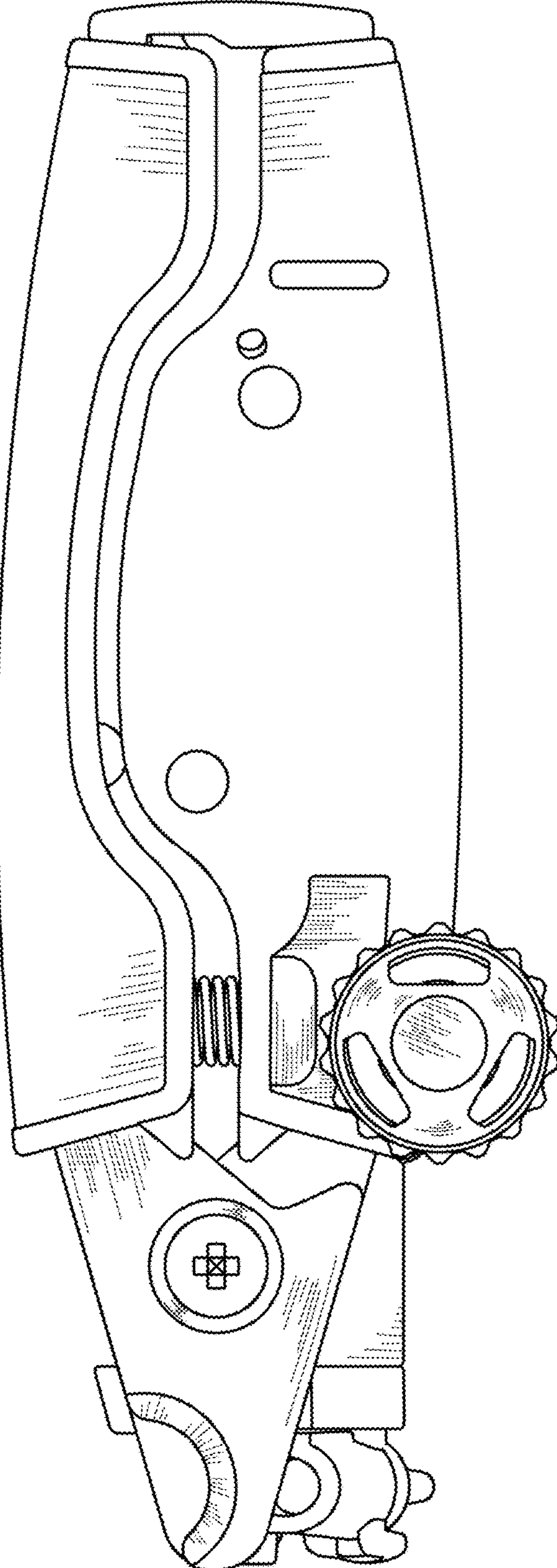


FIG. 5

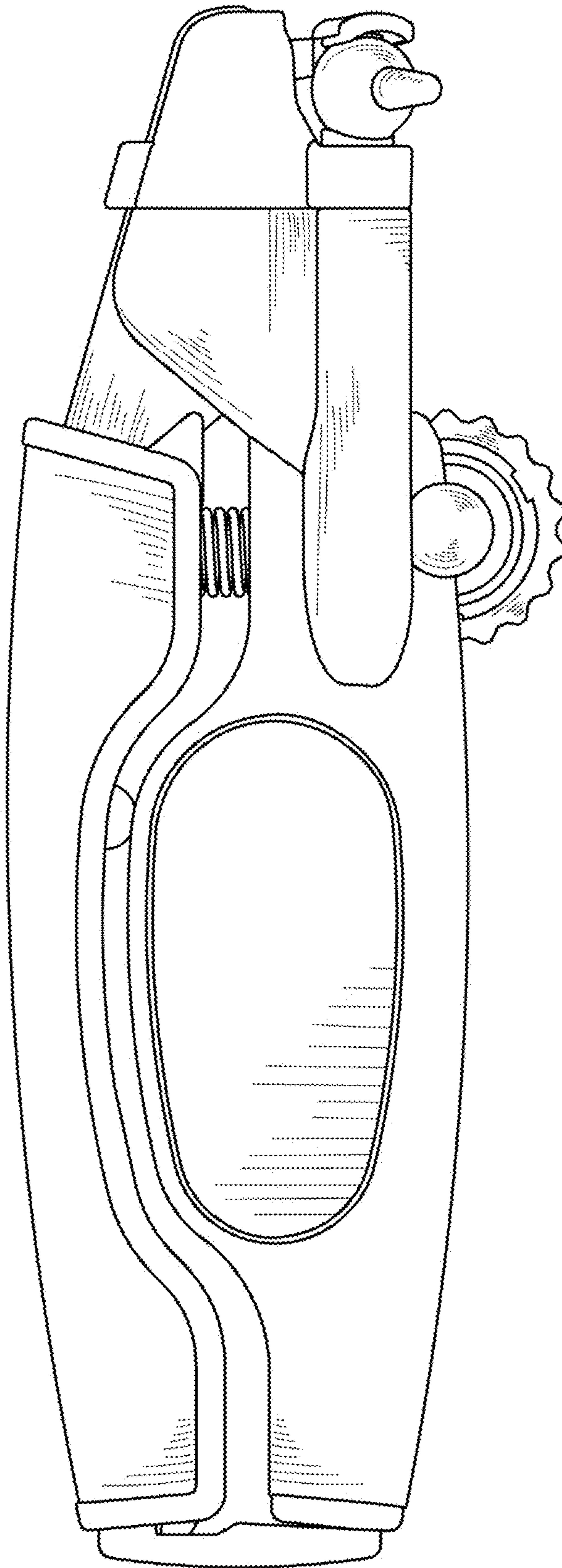


FIG. 6

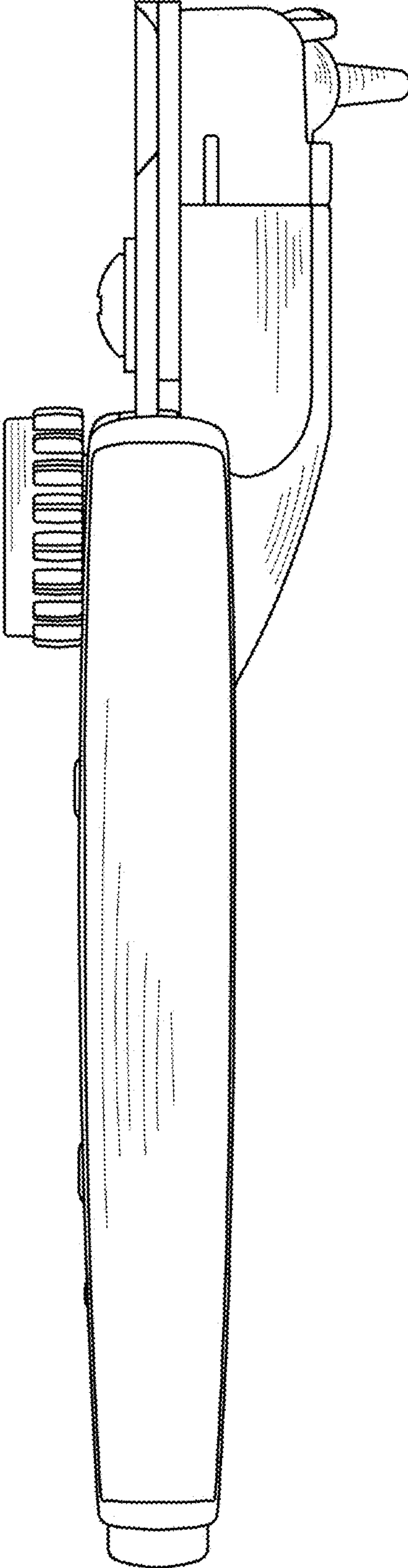


FIG. 7

