



US00D952961S

(12) **United States Design Patent** (10) **Patent No.:** **US D952,961 S**
Li (45) **Date of Patent:** **** May 24, 2022**

(54) **RECEIVER FOR DOG TRAINING COLLAR**

(71) Applicant: **Shenzhen Patpet Technology CO., LTD**, Shenzhen (CN)

(72) Inventor: **Linxian Li**, Beijing (CN)

(**) Term: **15 Years**

(21) Appl. No.: **29/697,574**

(22) Filed: **Jul. 9, 2019**

(51) **LOC (13) Cl.** **30-99**

(52) **U.S. Cl.**
USPC **D30/152**

(58) **Field of Classification Search**

USPC D30/144, 145, 151, 152, 153, 154, 155, D30/199; D3/215, 218, 221, 222, 226, D3/231, 229, 228, 254; D29/101.1, D29/101.3, 101.4, 101.5, 103, 122; D24/190-192, 199, 186, 207, 165, 206, D24/169; D10/40, 70, 50, 52, 60, 61, D10/104.1, 104.2; D14/344, 242; D12/409; D11/4; D8/333, 343, 346; D26/38; D21/662, 804; D2/627
CPC A01K 27/00; A01K 27/001; A01K 27/002; A01K 27/003; A01K 27/004; A01K 27/005; A01K 27/006; A01K 27/008; A01K 27/009; A01K 25/00; A01K 15/04; A01K 15/021; A01K 15/022; A01K 11/006; A01K 11/008; B68B 1/02; B68B 1/01

See application file for complete search history.

(56) **References Cited**

U.S. PATENT DOCUMENTS

D410,206 S * 5/1999 Slater D10/104.1
D478,831 S * 8/2003 So D10/104.1
D520,894 S * 5/2006 Zakharyan D30/199
D772,745 S * 11/2016 Henne D10/98
9,861,080 B1 * 1/2018 Hathway A01K 11/008
D848,293 S * 5/2019 Laurans D10/70
D858,904 S * 9/2019 Zinn D30/152
D890,456 S * 7/2020 Dai D30/199

D898,613 S * 10/2020 Stapleton D11/216
D919,201 S * 5/2021 Wang D30/199
D925,141 S * 7/2021 Lai D30/199
D926,396 S * 7/2021 Jia D30/199
D929,051 S * 8/2021 Li D30/199
D929,682 S * 8/2021 Li D30/199
11,094,224 B2 * 8/2021 Stapleton G09F 3/02
D932,712 S * 10/2021 Mott D30/152

(Continued)

FOREIGN PATENT DOCUMENTS

CN 304372028 * 11/2017
CN 305133598 * 4/2019

(Continued)

OTHER PUBLICATIONS

Befond Dog Bark Collar, published Feb. 1, 2021 [online][retrieved May 17, 2021], Available from Internet, URL: https://www.amazon.com/dp/B08VWJ6BXW/ref=sspa_dk_detail_1?psc=1&pd_rd_i=B08VWJ6BXW&pd_rd_w=gCmoy&pf_rd_p=085568d9-3b13-4ac1-8ae4-24a26c00cb0c&pd_rd_wg=U00Yd&pf_rd_r=7C5KER9F0SCS3VXJW63R&pd_rd_r=85924b80-51f2-4464-91e3-3c1ee7d19013&spLa=ZW5jcnIwdGVkUXVhbGImaWVyPUE4M UZZUzgzNEU3RDcmZW5jcnIwdGVkSWQ9QTA1NDM4OTMx MFMxWUZNSUdOUU1aJmVuY3J5cHRlZEFkSWQ9QTA0MDM yNzEyWUJlM0RTUjNBWDRMJndpZGdldE5hbWU9c3BfZGV0 YWIsJmFjdGlvbj1jbGJja1JlZGlyZWNoJmRvTm90TG9nQ2xpY2 s9dHJlZQ==*

Primary Examiner — Leanne Was-Englehart

(57) **CLAIM**

I claim the ornamental design for a receiver for dog training collar, as shown and described.

DESCRIPTION

FIG. 1 is a top right perspective view showing a receiver for dog training collar, showing my new design;
FIG. 2 is a front elevation view thereof;
FIG. 3 is a rear elevation view thereof;
FIG. 4 is a top plan view thereof;
FIG. 5 is a bottom plan view thereof;
FIG. 6 is a left side elevation view thereof; and,

(Continued)

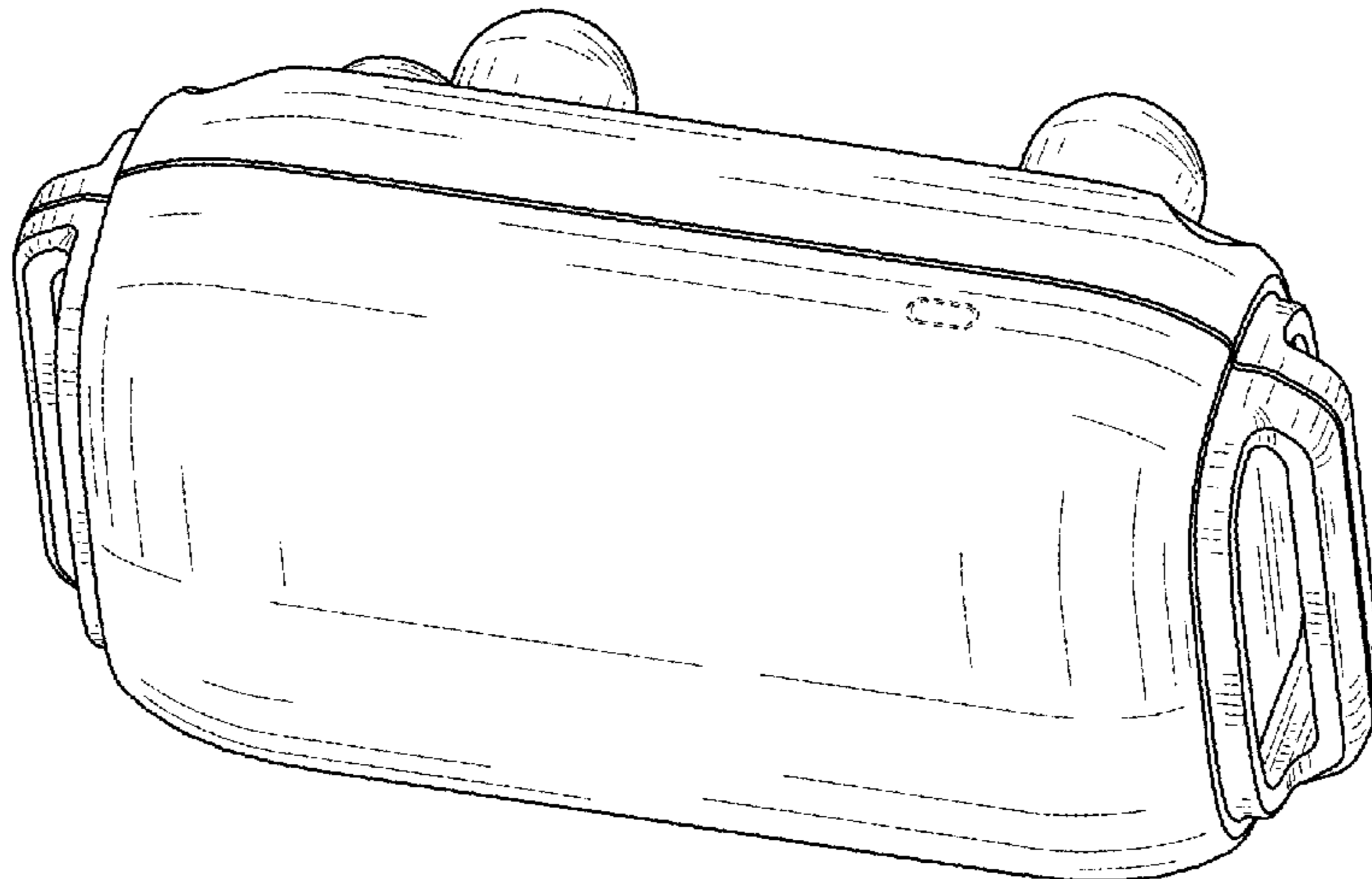


FIG. 7 is a right side elevation view thereof.
The broken lines shown in the drawings depict portions of
the receiver for dog training collar that form no part of
claimed design.

1 Claim, 7 Drawing Sheets

(56)

References Cited

U.S. PATENT DOCUMENTS

2002/0139565 A1* 10/2002 Bradford A01K 27/009
174/188
2014/0261233 A1* 9/2014 So A01K 27/009
119/720
2018/0368365 A1* 12/2018 Van Curen A01K 27/009
2020/0015456 A1* 1/2020 Van Curen A01K 27/009
2021/0105977 A1* 4/2021 Bethke A01K 27/009

FOREIGN PATENT DOCUMENTS

CN 305205867 * 6/2019
CN 305682024 * 4/2020
CN 306114558 * 10/2020
CN 306427375 * 3/2021

* cited by examiner

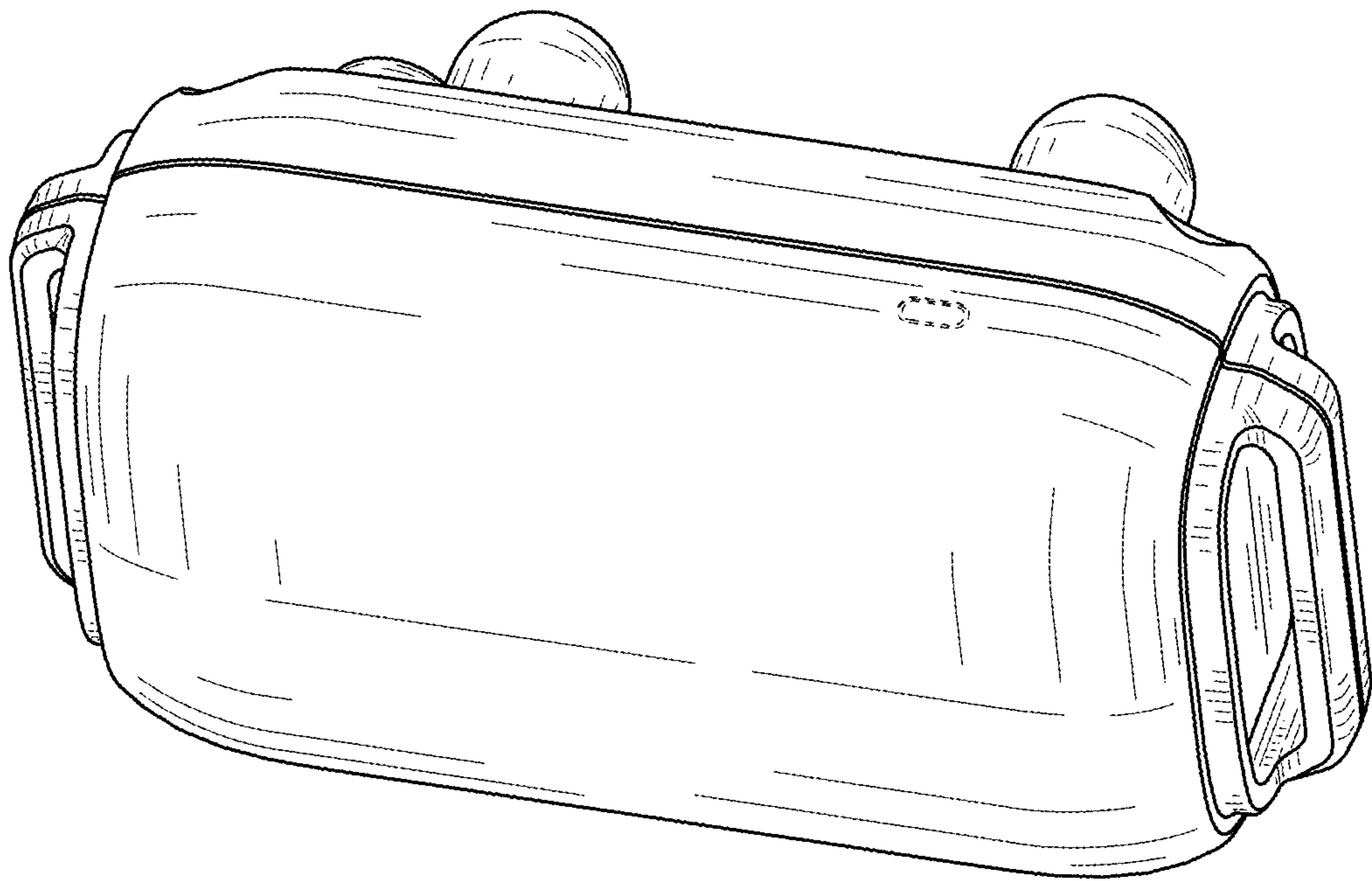


Fig. 1

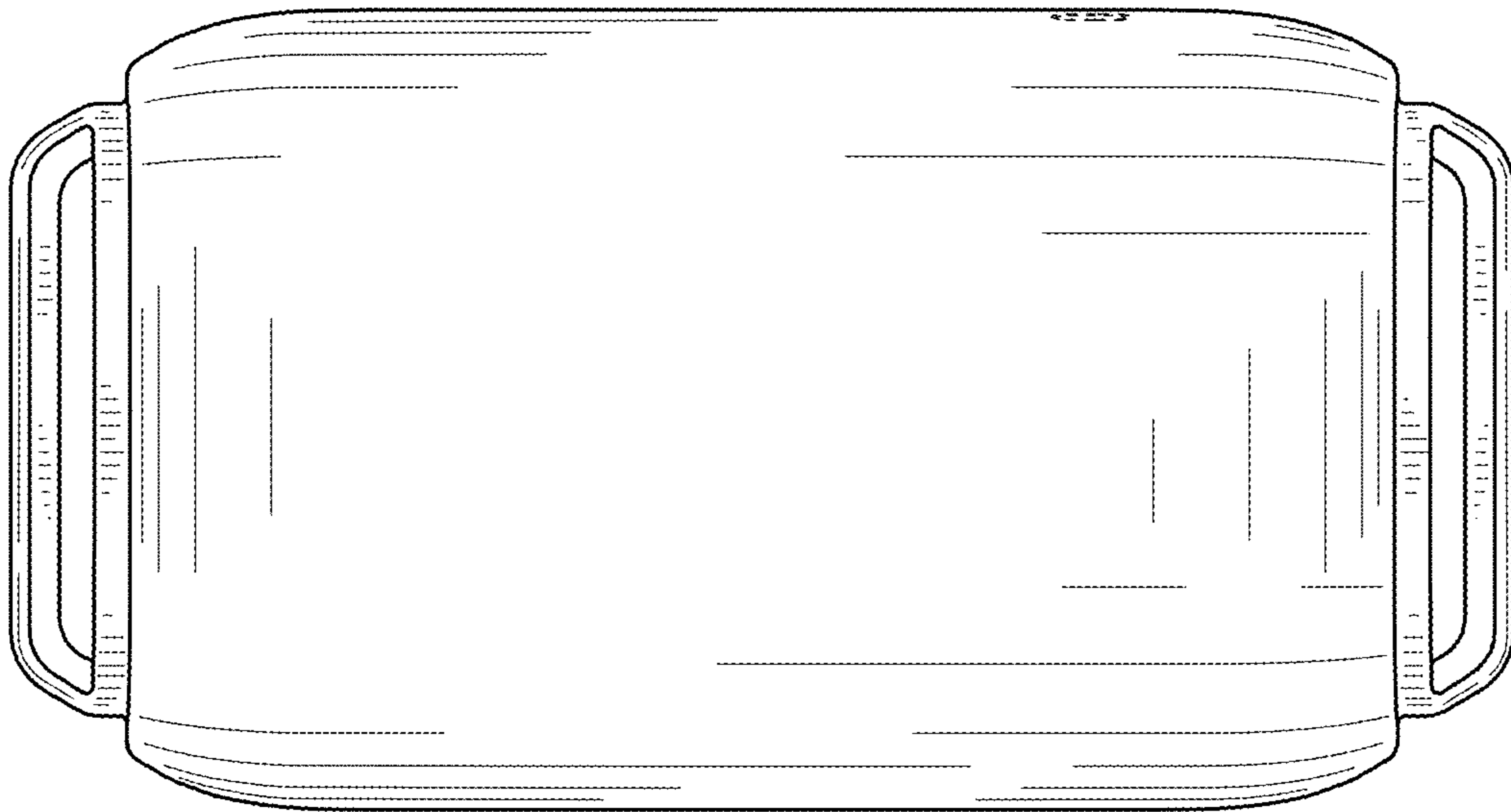


Fig. 2

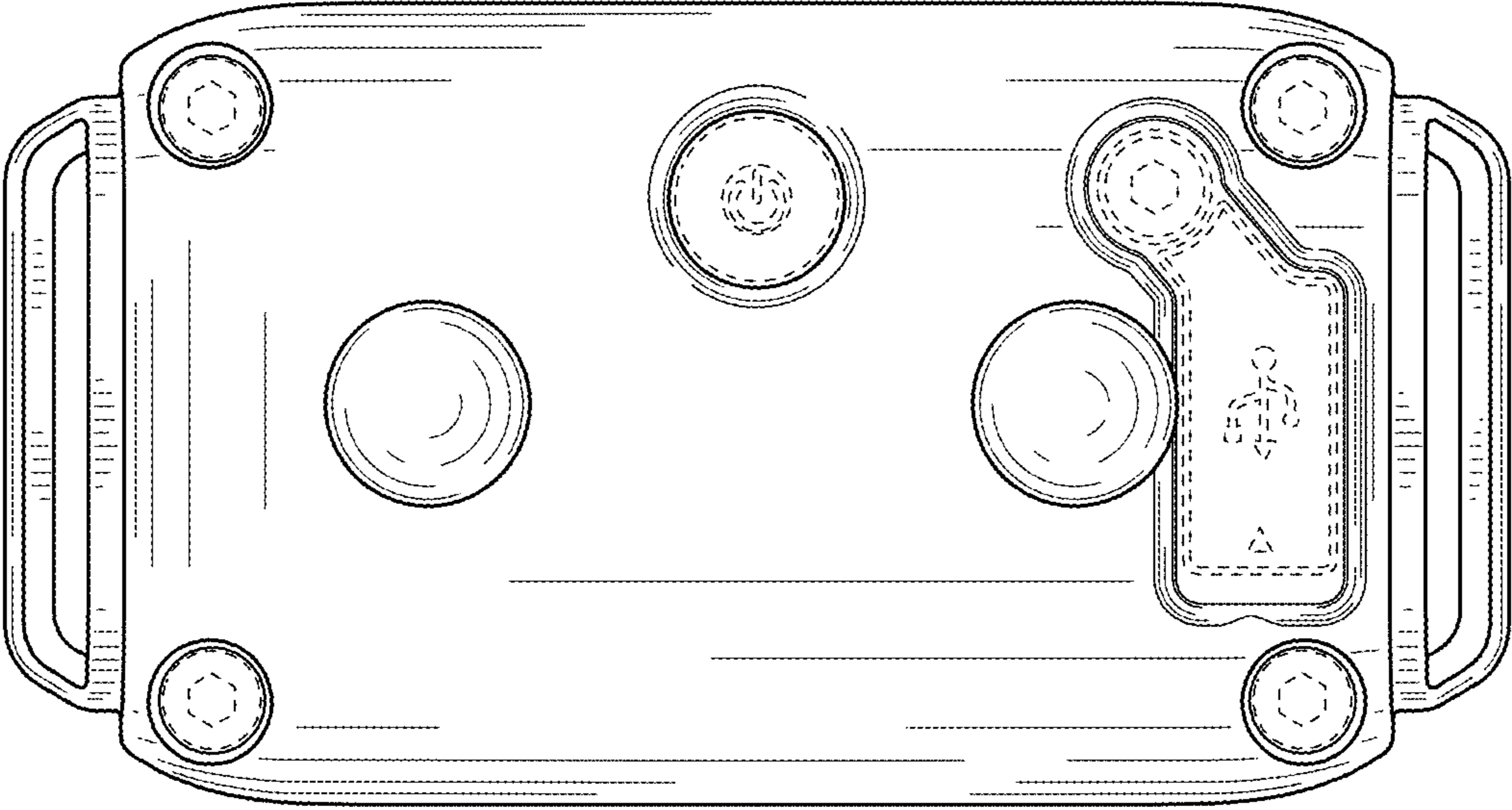


Fig. 3

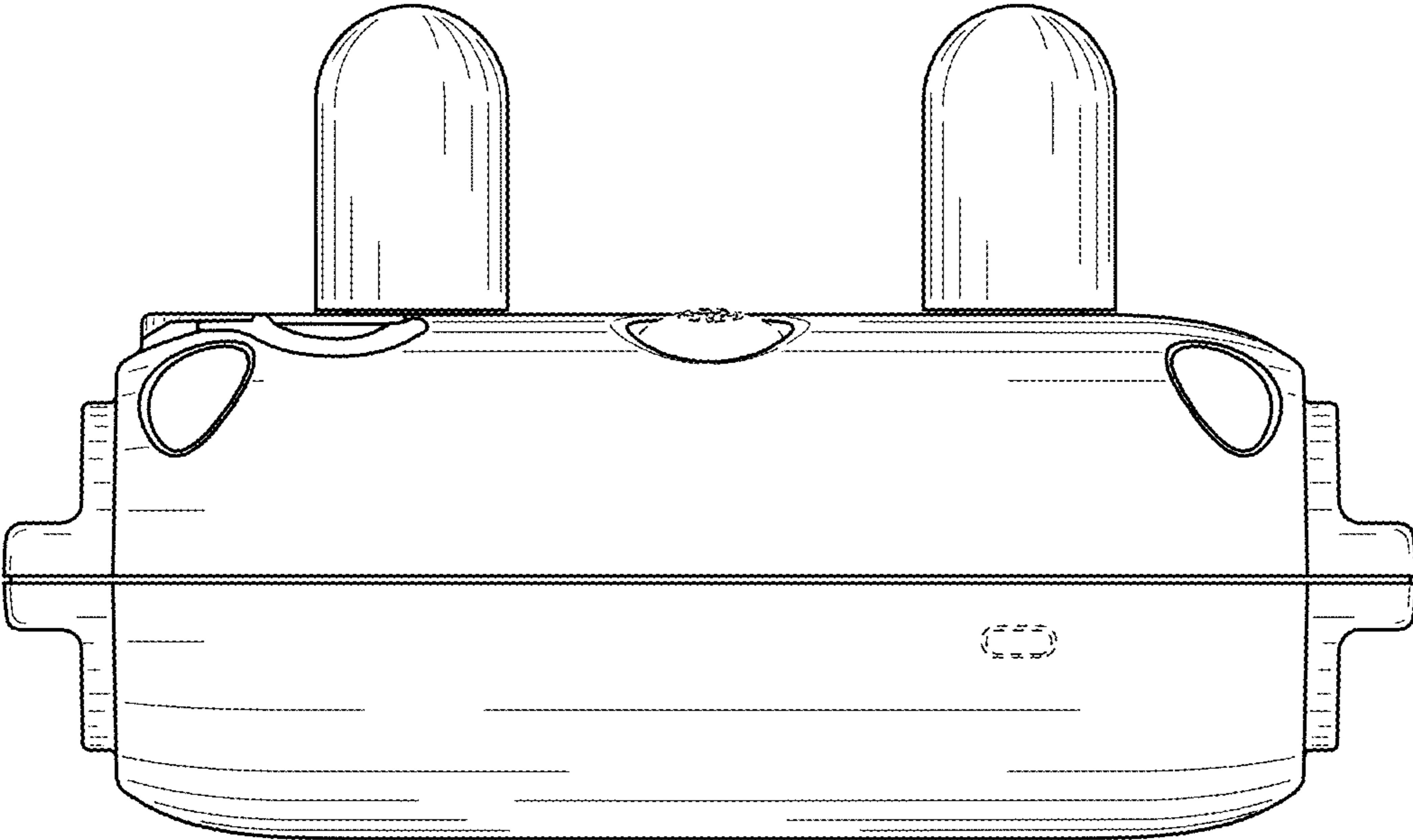


Fig. 4

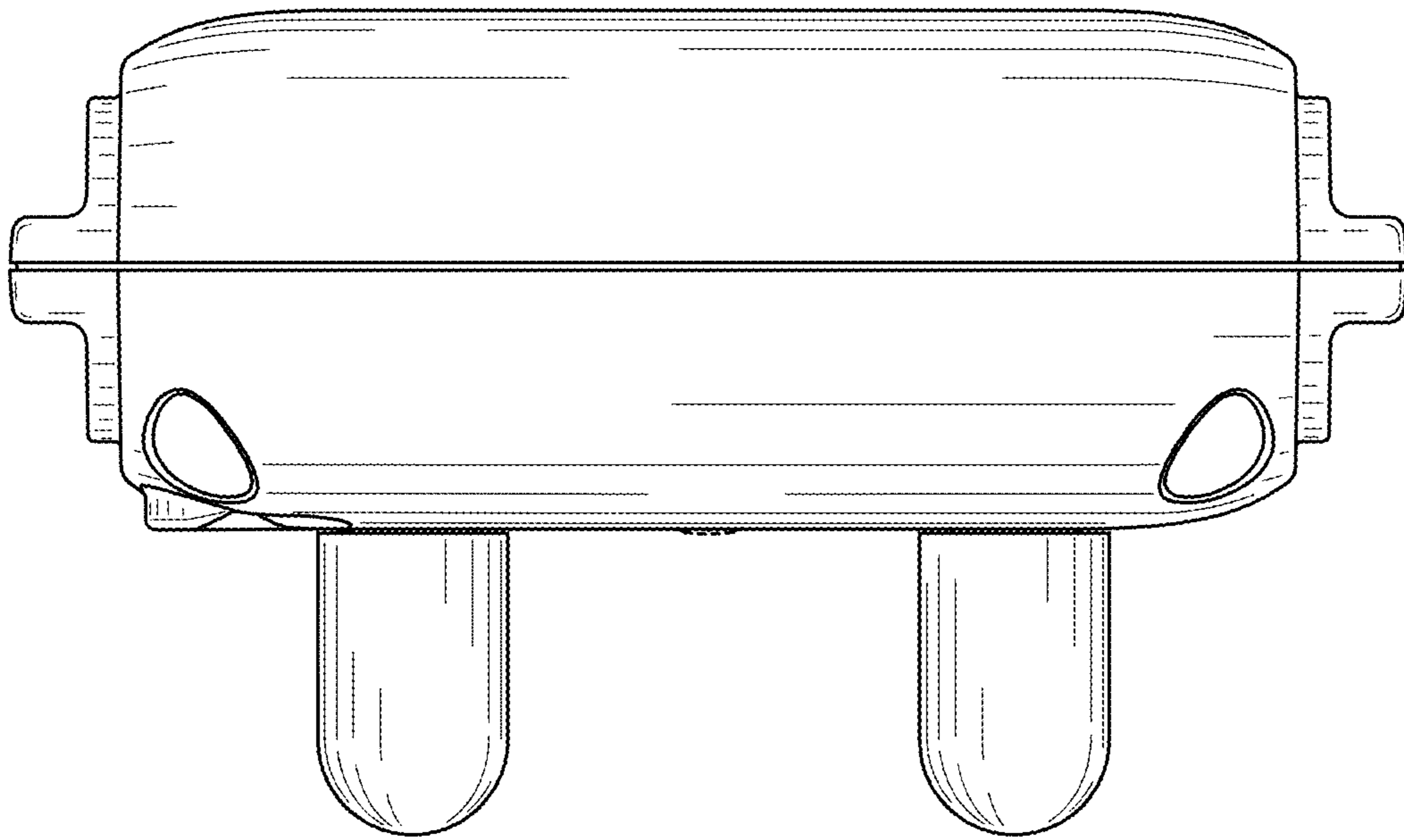


Fig. 5

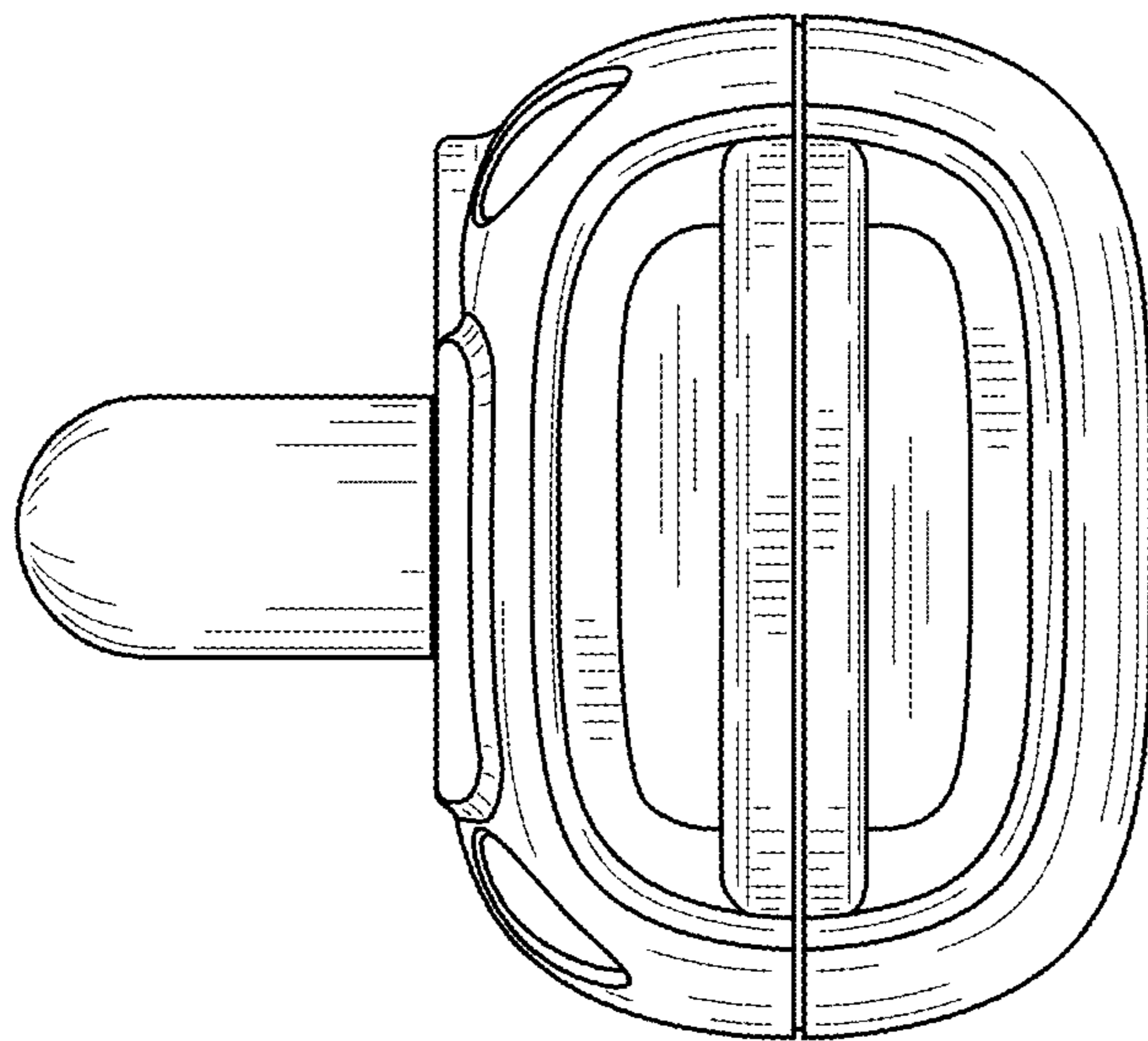


Fig. 6

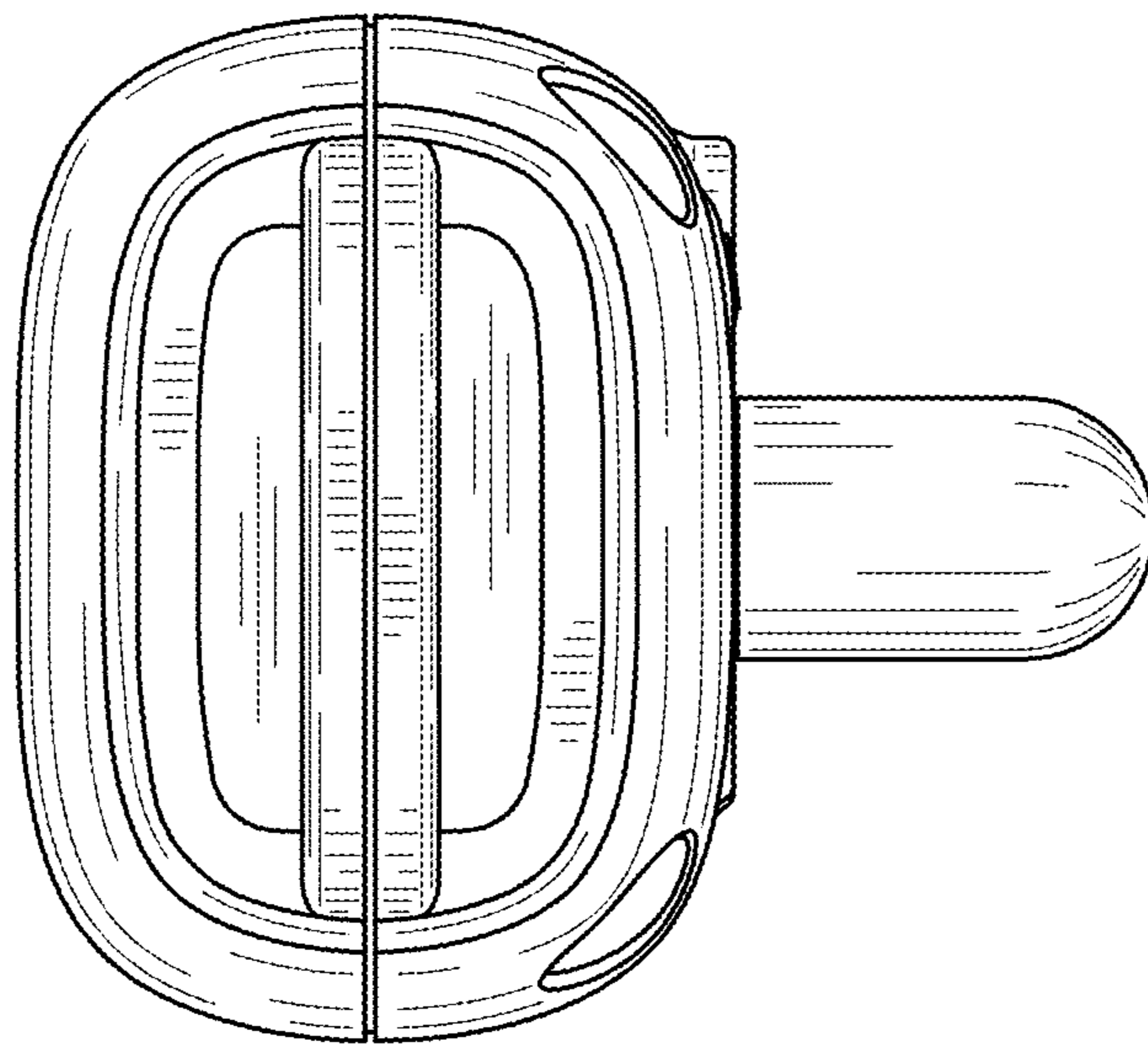


Fig. 7