



US00D952960S

(12) **United States Design Patent**  
**Wang**

(10) **Patent No.:** **US D952,960 S**

(45) **Date of Patent:** **\*\* May 24, 2022**

(54) **DOG GARMENT**

(71) Applicant: **Weichao Wang**, Jiangsu (CN)

(72) Inventor: **Weichao Wang**, Jiangsu (CN)

(\*\*) Term: **15 Years**

(21) Appl. No.: **29/691,736**

(22) Filed: **May 17, 2019**

(51) **LOC (13) Cl.** ..... **30-01**

(52) **U.S. Cl.**  
USPC ..... **D30/145**

(58) **Field of Classification Search**  
USPC ..... D30/144, 145  
CPC .... A01K 13/006; A01K 27/002; A41B 13/08;  
A61D 9/00; F41H 1/02  
See application file for complete search history.

(56) **References Cited**

**U.S. PATENT DOCUMENTS**

D379,687 S *	6/1997	Curtis	.....	D30/144
D679,872 S *	4/2013	Rissanen	.....	D30/145
D845,557 S *	4/2019	Whyte	.....	D30/145
D861,998 S *	10/2019	Jalili	.....	D30/145
D867,681 S *	11/2019	Yun	.....	D30/145
D867,682 S *	11/2019	Yun	.....	D30/145
D874,073 S *	1/2020	Bourne	.....	D30/145
D880,789 S *	4/2020	Yun	.....	D30/145
D929,050 S *	8/2021	Shen	.....	D30/145
2009/0292343 A1 *	11/2009	Sternlight	.....	A01K 13/006 607/112
2011/0174237 A1 *	7/2011	Sanders-Luckman	...	A61D 9/00 119/792
2016/0262462 A1 *	9/2016	Kawamura	.....	G09G 3/035
2016/0324118 A1 *	11/2016	Whyte	.....	A01K 13/006
2017/0172107 A1 *	6/2017	Quintana	.....	A01K 13/006
2018/0359994 A1 *	12/2018	McQuien	.....	A01K 13/006

**OTHER PUBLICATIONS**

“Casual Canine Quilted Nor’Easter Dog Coat.” Found online Oct. 6, 2021 at www.amazon.com. Product first available Sep. 24, 2013. Retrieved from URL: <https://www.amazon.com/Casual-Canine-Quilted-Noreaster-Coat/dp/B00FEQZP1E?th=1> (Year: 2013).\*

“Kuoser Cozy Waterproof Windproof Reversible Dog Vest.” Found online Oct. 6, 2021 at www.amazon.com. Product first available Sep. 2, 2016. Retrieved from URL: <https://tinyurl.com/4y39dr86> (Year: 2016).\*

“RC GearPro Dog Jacket.” Found online Oct. 6, 2021 at www.amazon.com. Product first available Nov. 7, 2018. Retrieved from URL: <https://tinyurl.com/48ennz73> (Year: 2018).\*

“Dog Bone—Iron On Patch.” Found online Oct. 6, 2021 at www.etsy.com. Product reviewed Nov. 4, 2019. Retrieved from URL: <https://www.etsy.com/sg-en/listing/638456641/dog-bone-iron-on-patchanimal-patchdog> (Year: 2019).\*

\* cited by examiner

*Primary Examiner* — Mary Ann Calabrese

*Assistant Examiner* — Katelin G Kloberg

(57) **CLAIM**

The ornamental design for a dog garment, as shown and described.

**DESCRIPTION**

FIG. 1 is a perspective view of a dog garment showing my new design;

FIG. 2 is a left side elevation view thereof;

FIG. 3 is a right side elevation view thereof;

FIG. 4 is a rear elevation view thereof;

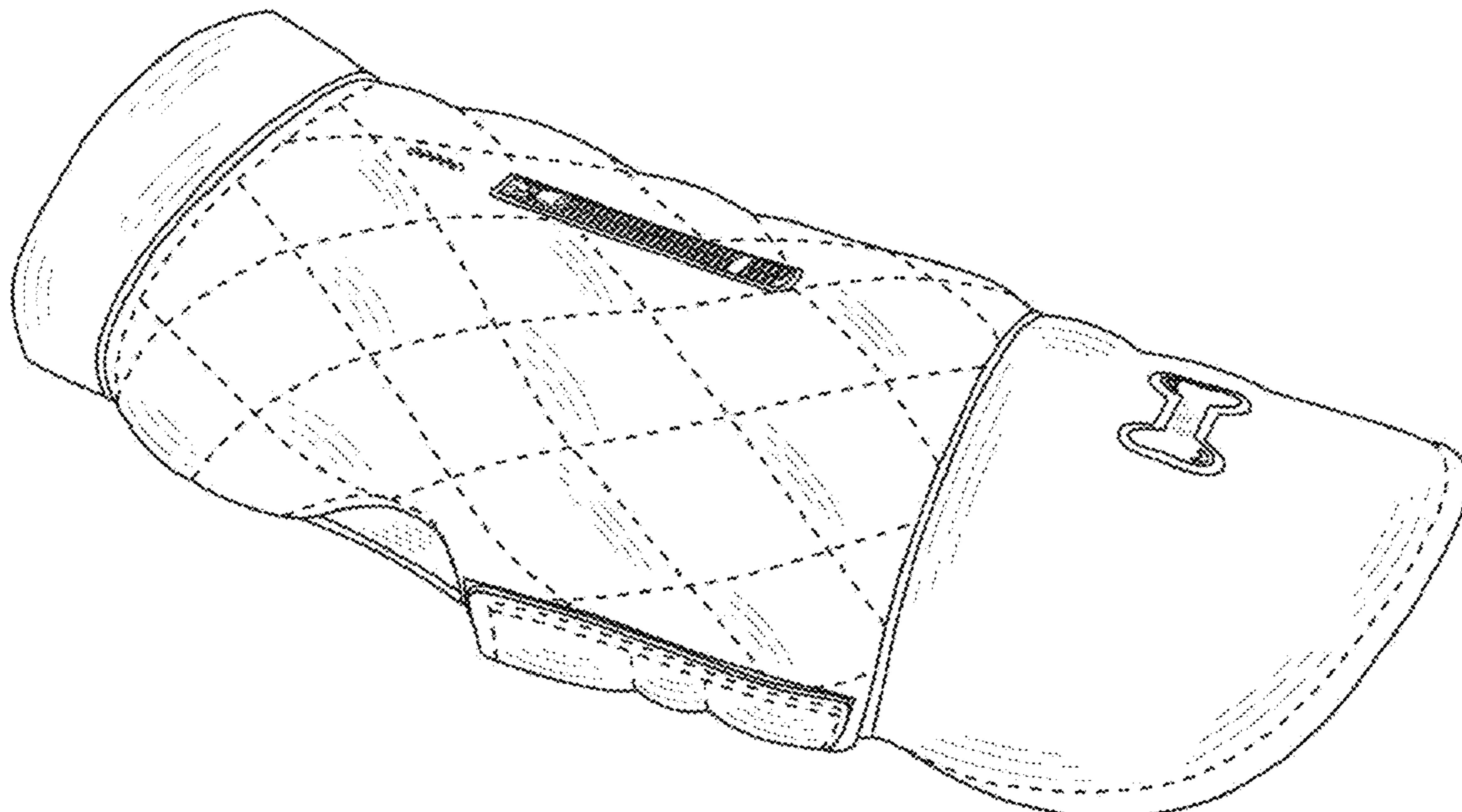
FIG. 5 is a front elevation view thereof;

FIG. 6 is a top plan view thereof; and,

FIG. 7 is a bottom plan view thereof.

The broken lines show stitching.

**1 Claim, 7 Drawing Sheets**



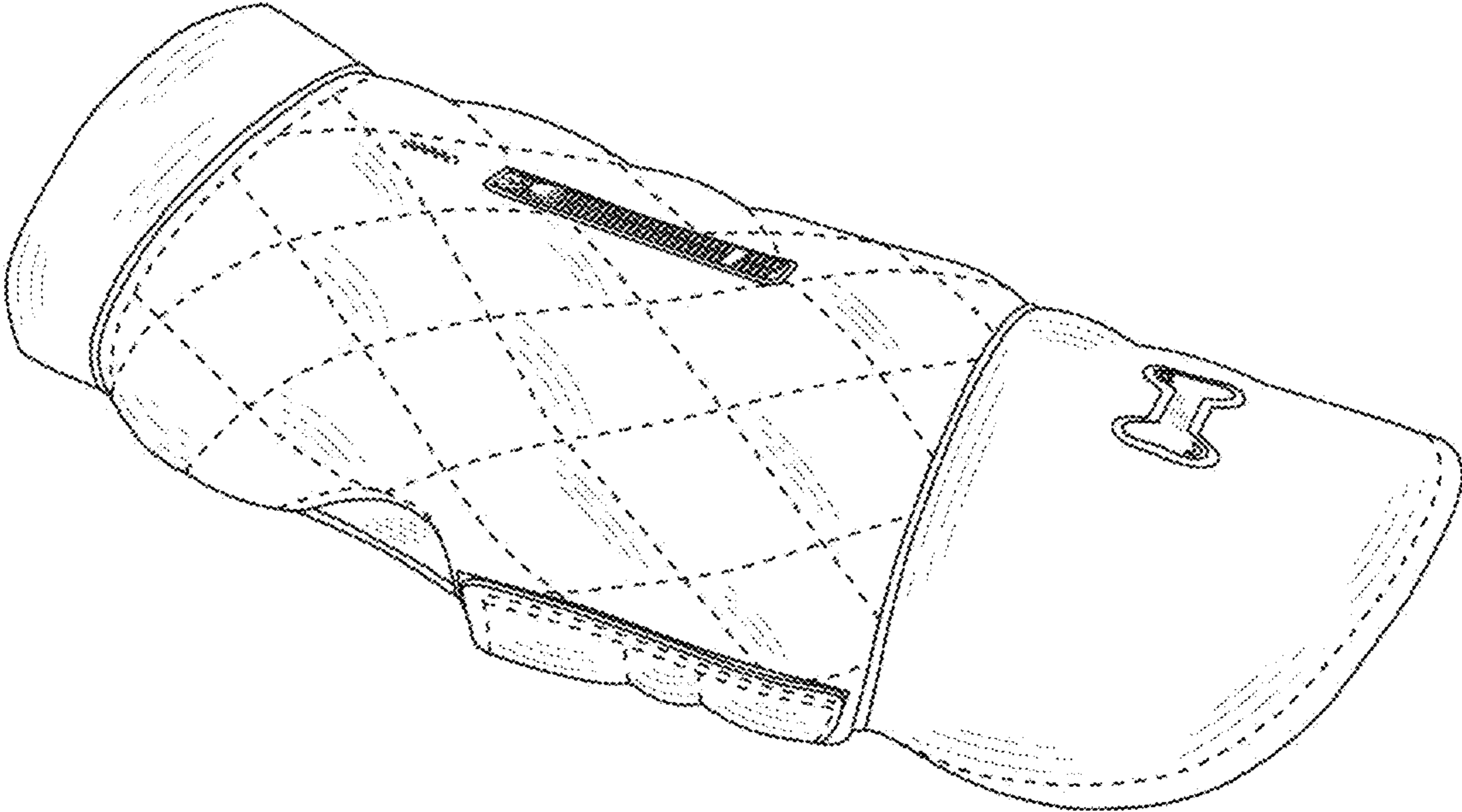


FIG.1

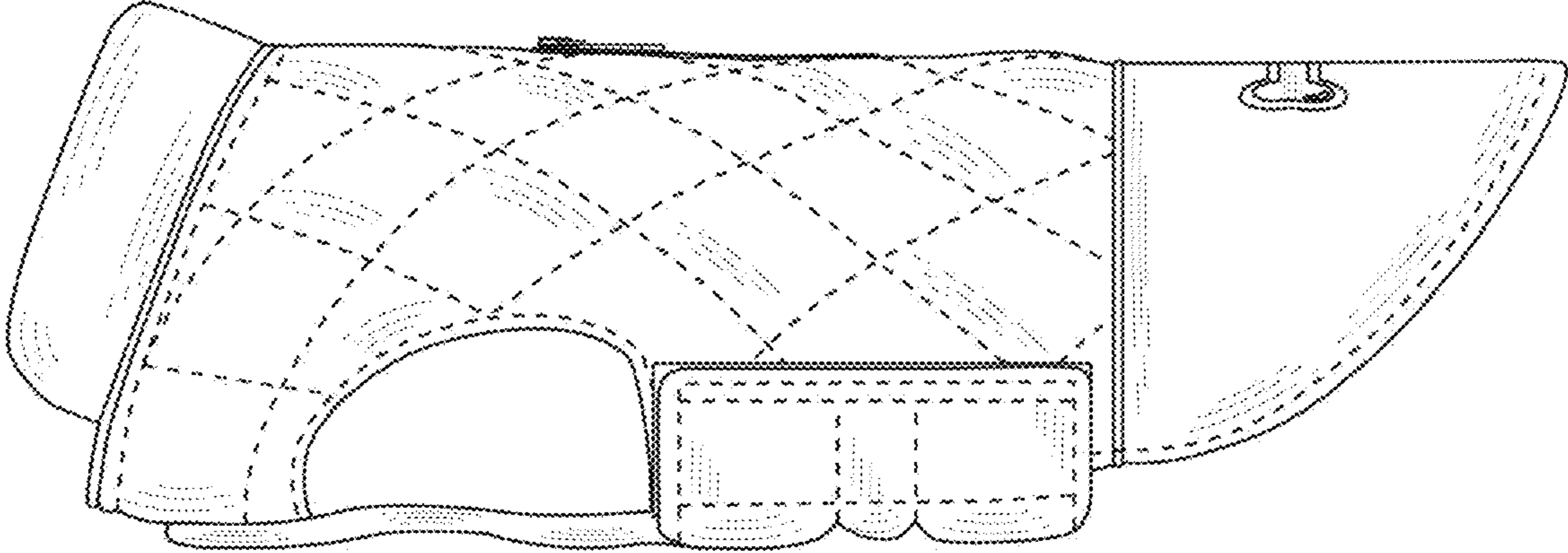


FIG.2

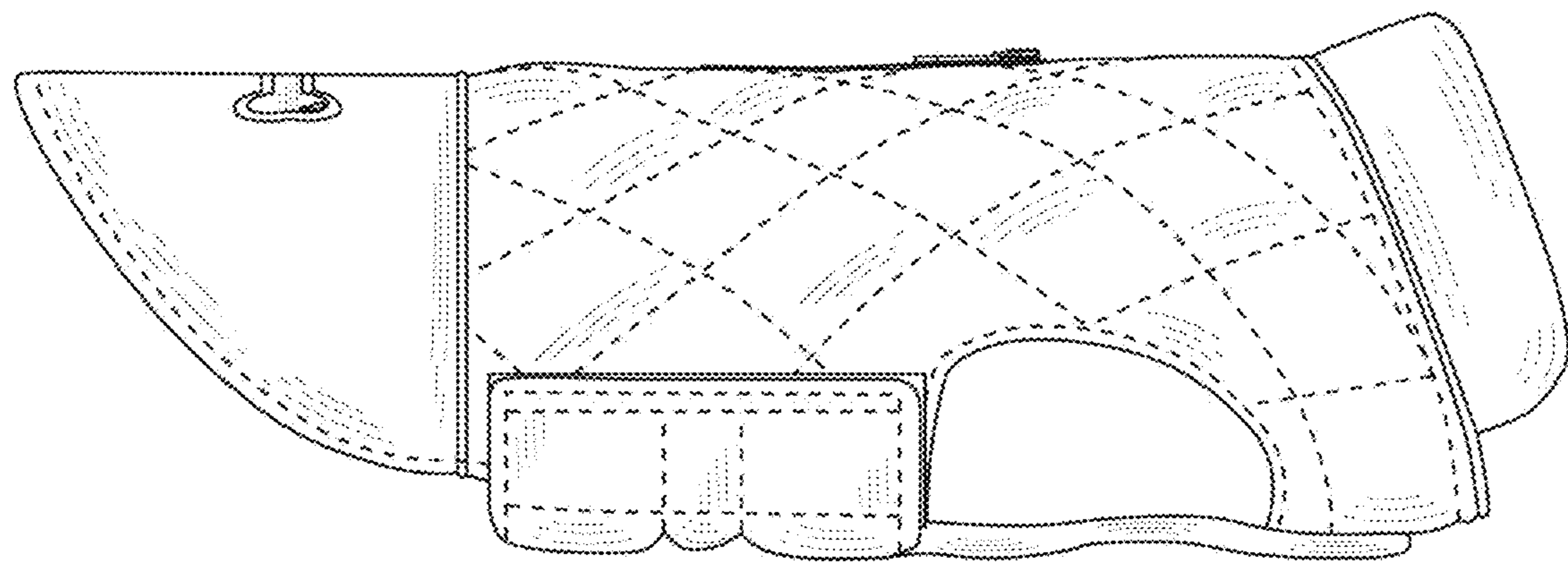


FIG.3

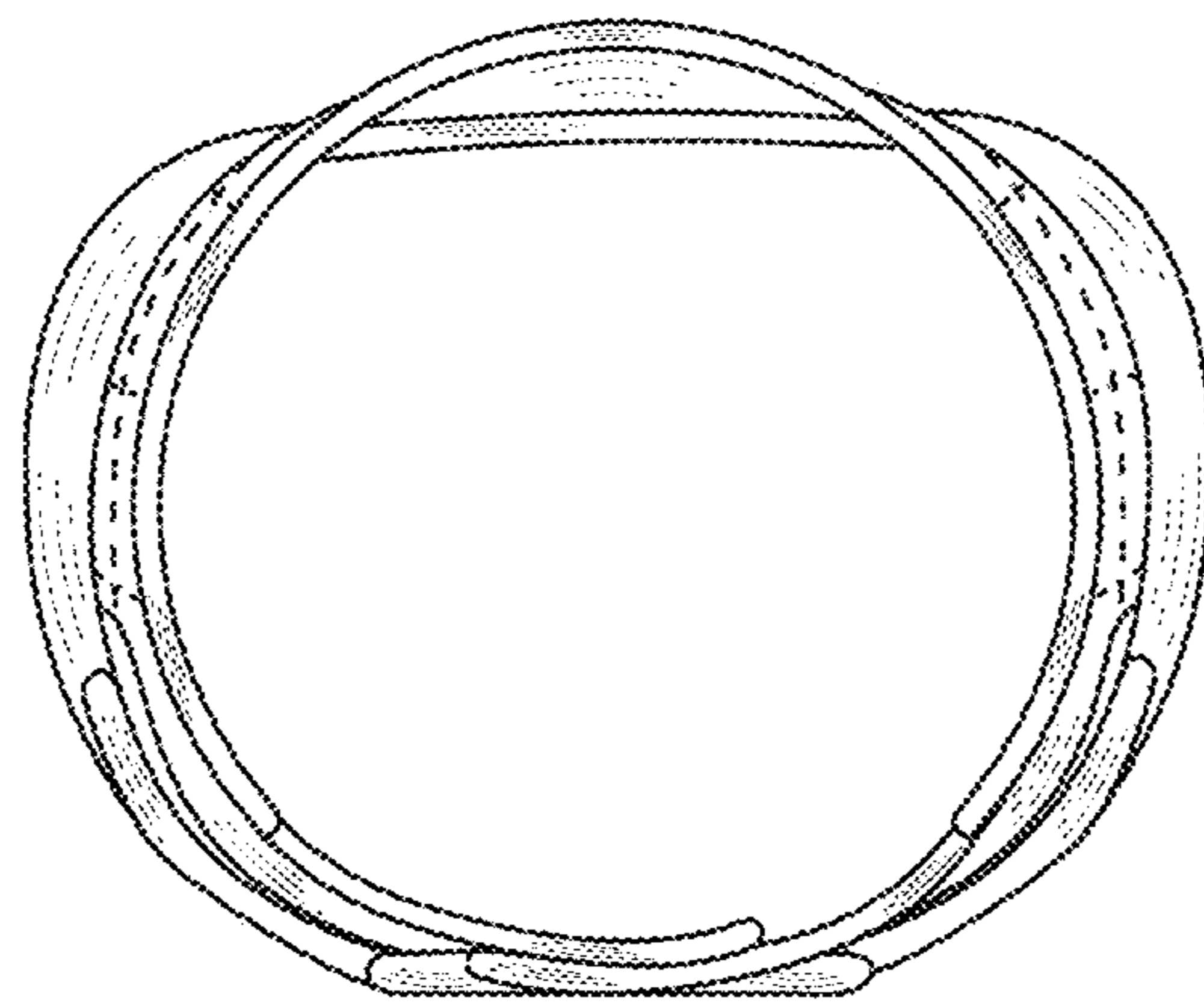


FIG.4

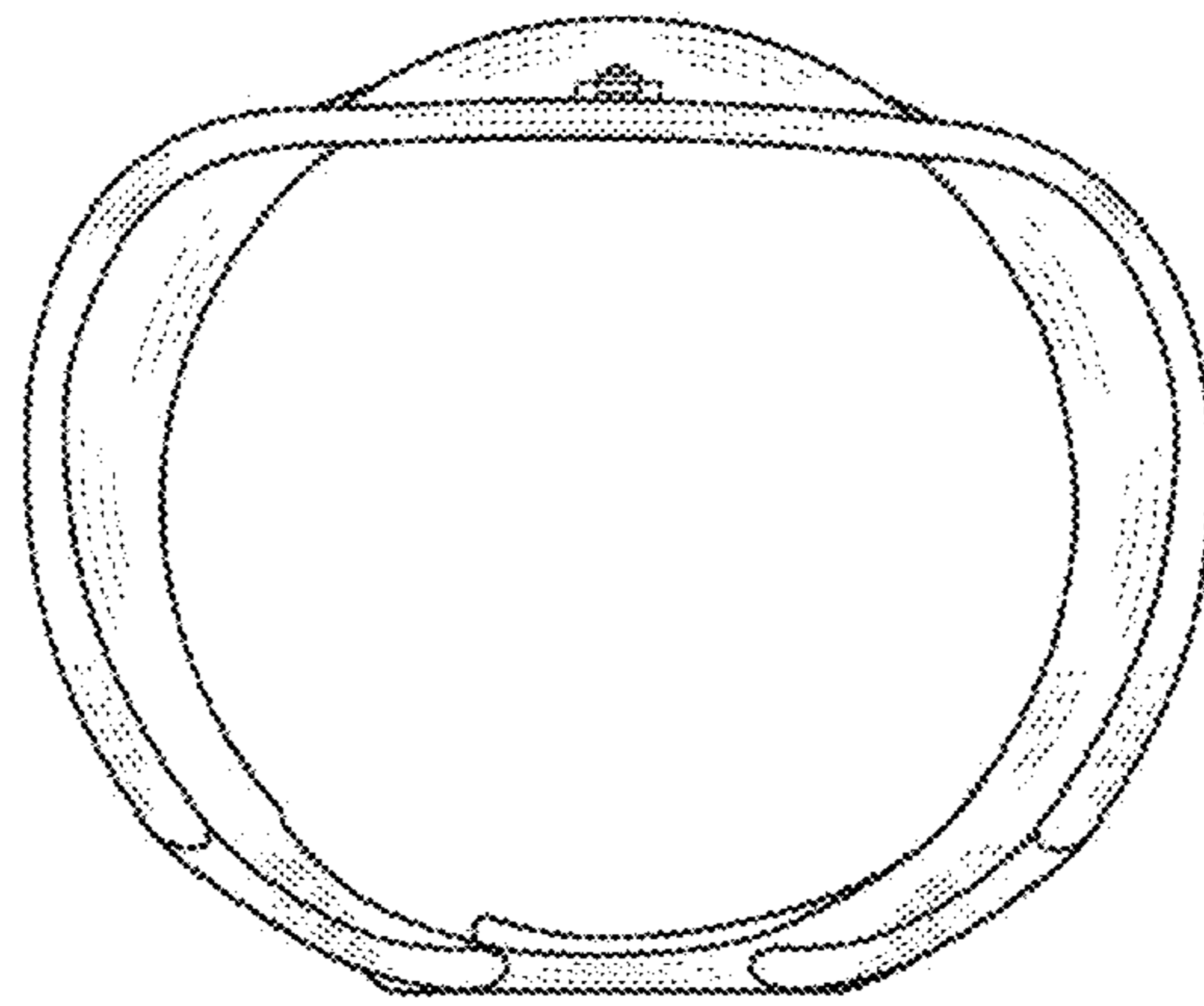


FIG. 5

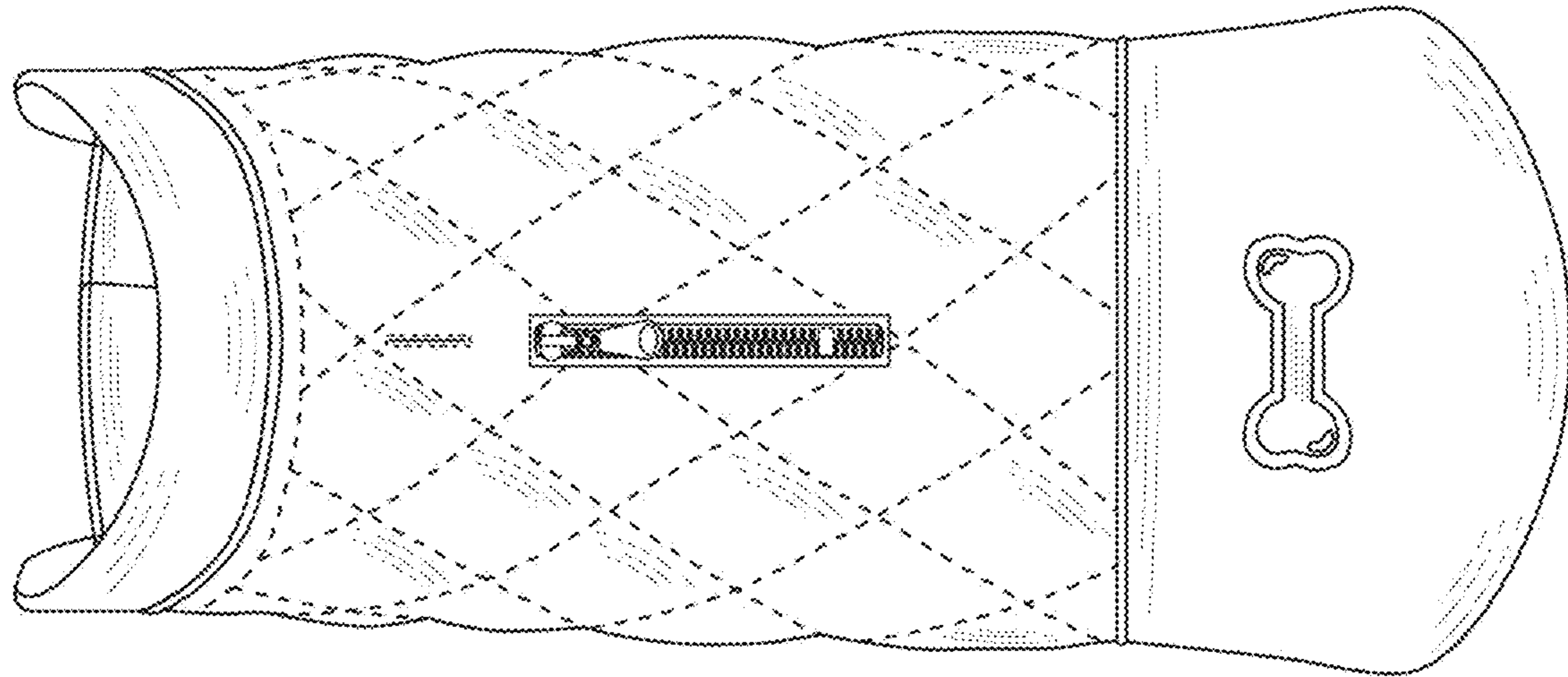


FIG. 6

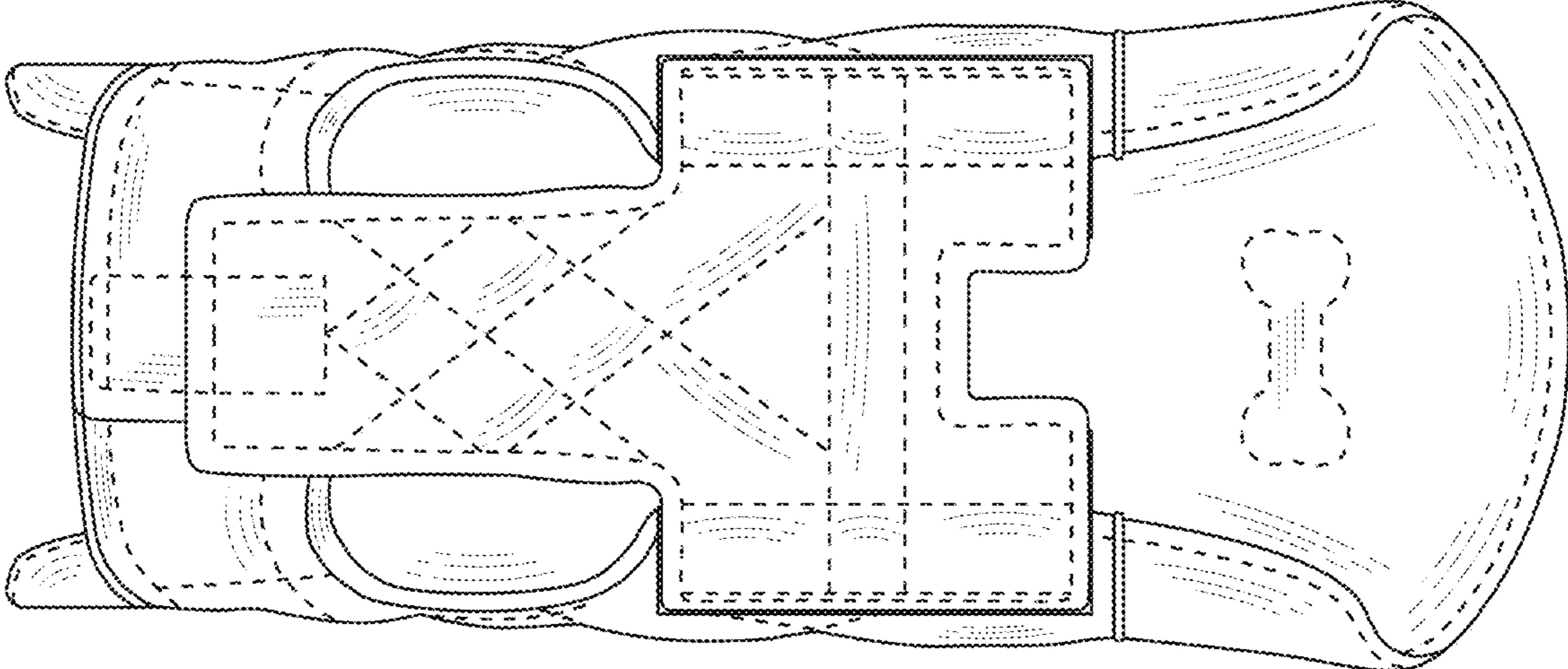


FIG. 7