



US00D952959S

(12) **United States Design Patent** (10) **Patent No.:** **US D952,959 S**
Liu (45) **Date of Patent:** **** May 24, 2022**

(54) **INTELLIGENT PET FOUNTAIN**
(71) Applicant: **Wei Liu**, Shenzhen (CN)
(72) Inventor: **Wei Liu**, Shenzhen (CN)
(73) Assignee: **Shenzhen Tongzhou Intelligent Co., Ltd.**, Shenzhen (CN)
(**) Term: **15 Years**
(21) Appl. No.: **29/778,103**
(22) Filed: **Apr. 10, 2021**
(51) **LOC (13) Cl.** **30-03**
(52) **U.S. Cl.**
USPC **D30/132**
(58) **Field of Classification Search**
USPC D30/121, 122, 124, 125, 128, 129, 130,
D30/131, 132, 133; 119/51.01, 51.02,
119/51.03, 51.11, 51.12, 51.13, 51.5,
119/52.1, 57, 57.1, 57.92, 58, 60, 61.1,
119/61.5, 61.52, 61.54, 61.55, 61.57, 72,
119/72.5, 73, 74, 75, 78, 174; D23/355,
D23/356, 359, 360, 362, 364, 366
CPC A01K 1/0353; A01K 5/00; A01K 39/02;
A01K 39/04; A01K 39/0213
See application file for complete search history.

(56) **References Cited**

U.S. PATENT DOCUMENTS

D196,777 S * 11/1963 Haynes D30/132
D757,373 S * 5/2016 Breit D30/129
D827,213 S 8/2018 Veness et al.
D850,020 S 5/2019 Paxson
D856,606 S 8/2019 He et al.

D868,391 S * 11/2019 Townsend D30/129
D891,571 S * 7/2020 Dollansky D22/122
D907,865 S * 1/2021 Kim D30/132
D912,333 S 3/2021 Wang
D917,107 S * 4/2021 Chen D30/132
D925,134 S * 7/2021 Mai D30/132
2007/0199512 A1* 8/2007 Ellis A01K 7/005
119/61.54
2016/0165841 A1* 6/2016 Banks A01K 7/02
119/74
2016/0198676 A1* 7/2016 Wooten A01K 5/00
119/61.52
2019/0239476 A1* 8/2019 Mai A01K 7/02

* cited by examiner

Primary Examiner — Garth Rademaker
Assistant Examiner — Katrina N Gonzalez
(74) *Attorney, Agent, or Firm* — Xuan Zhang

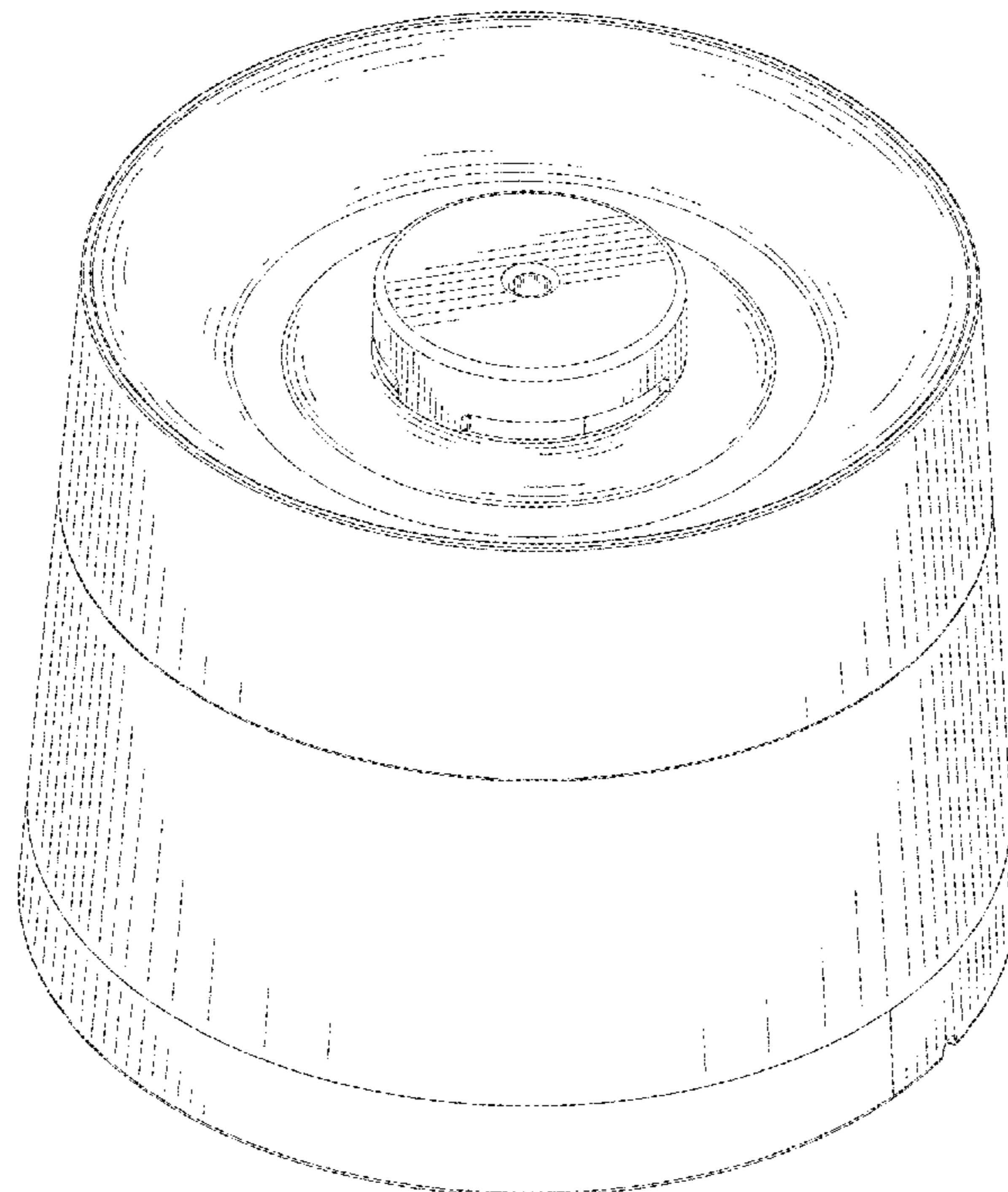
(57) **CLAIM**

The ornamental design for an intelligent pet fountain, as shown and described.

DESCRIPTION

FIG. 1 is a perspective view of an intelligent pet fountain showing my new design;
FIG. 2 is a right view thereof;
FIG. 3 is a rear view thereof;
FIG. 4 is a left view thereof;
FIG. 5 is a front view thereof;
FIG. 6 is a top view thereof; and,
FIG. 7 is a bottom view thereof.
The broken lines in the drawings are included for the purpose of illustrating environmental structure and forms no part of the claimed design.

1 Claim, 7 Drawing Sheets



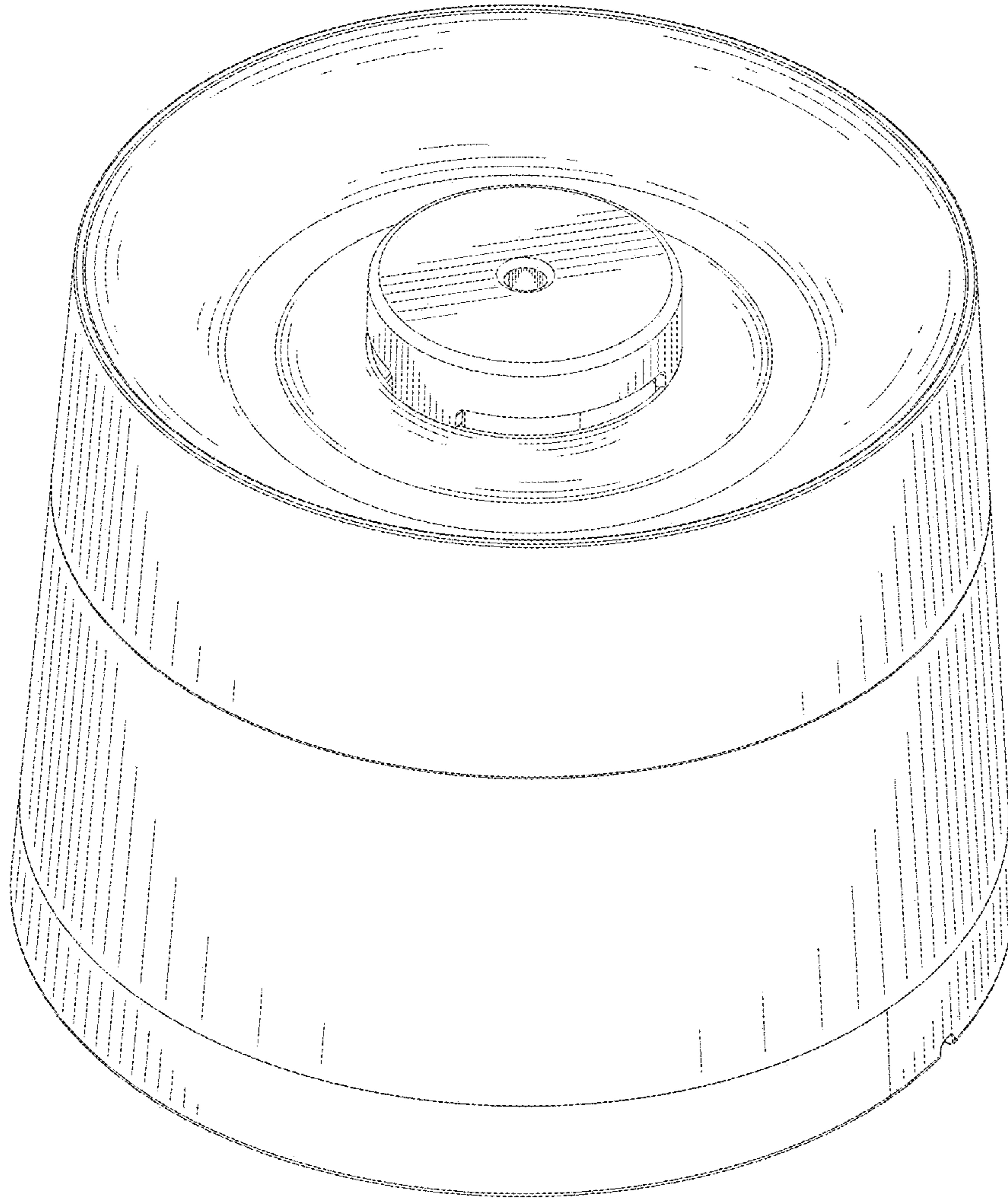


FIG. 1

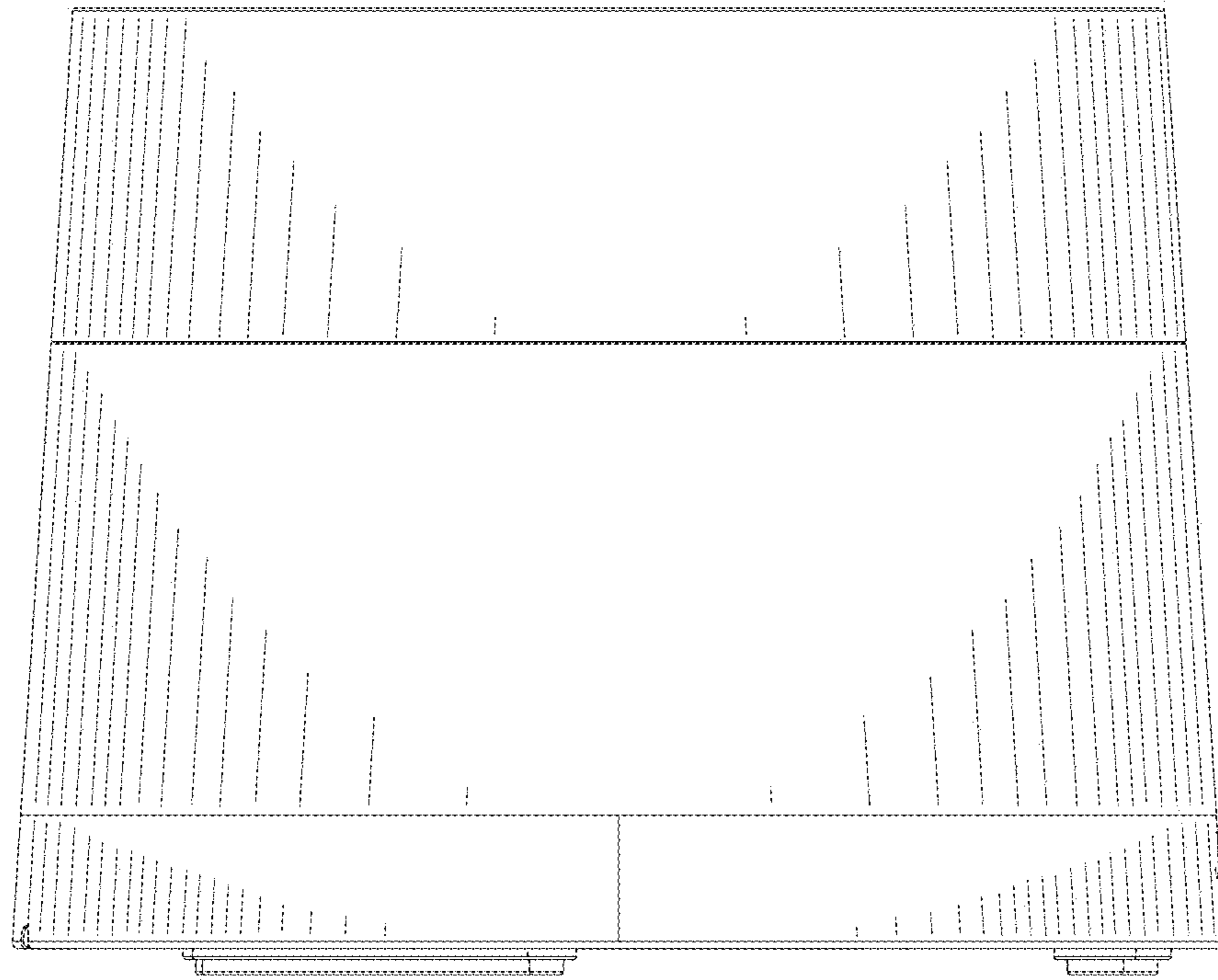


FIG.2

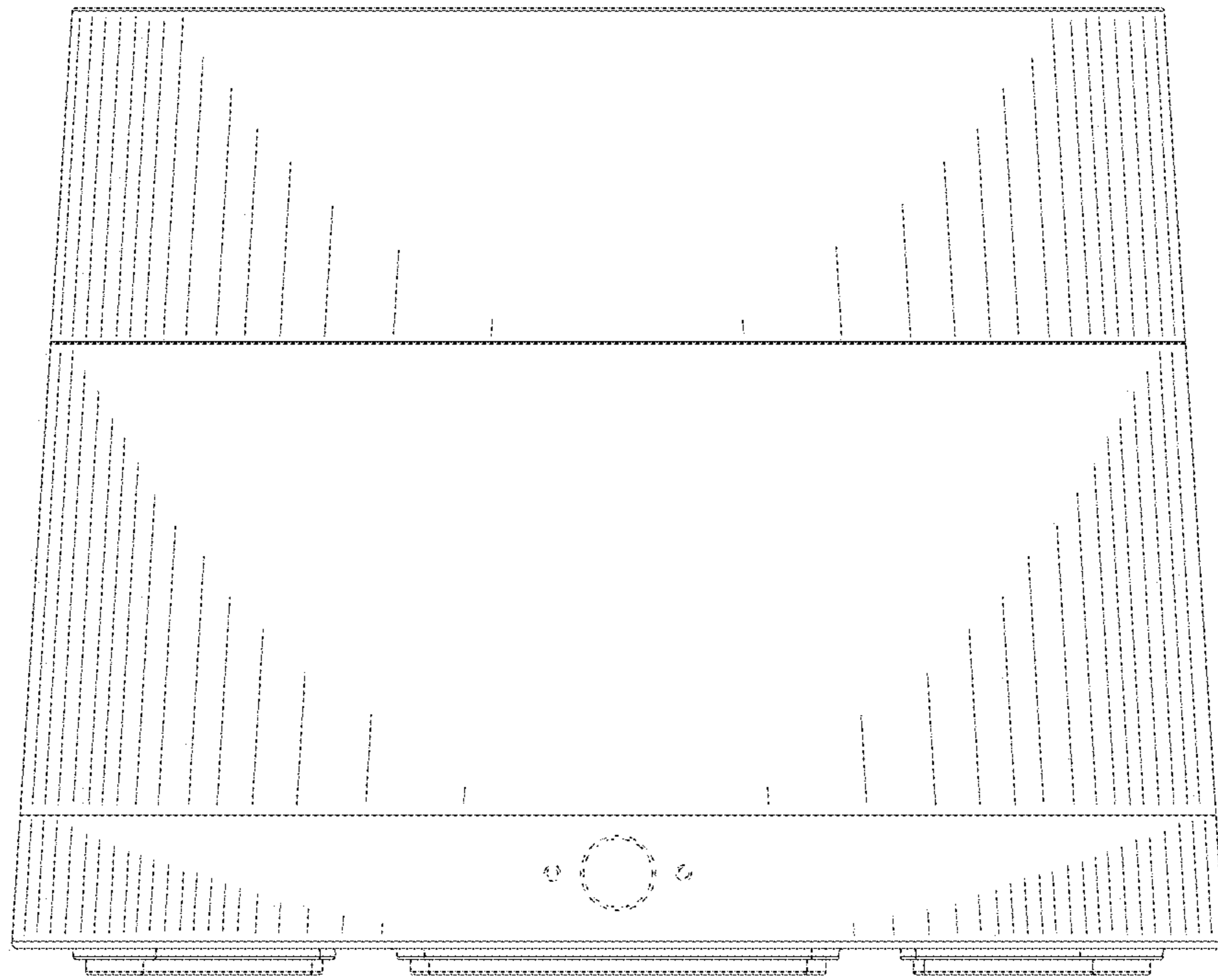


FIG.3

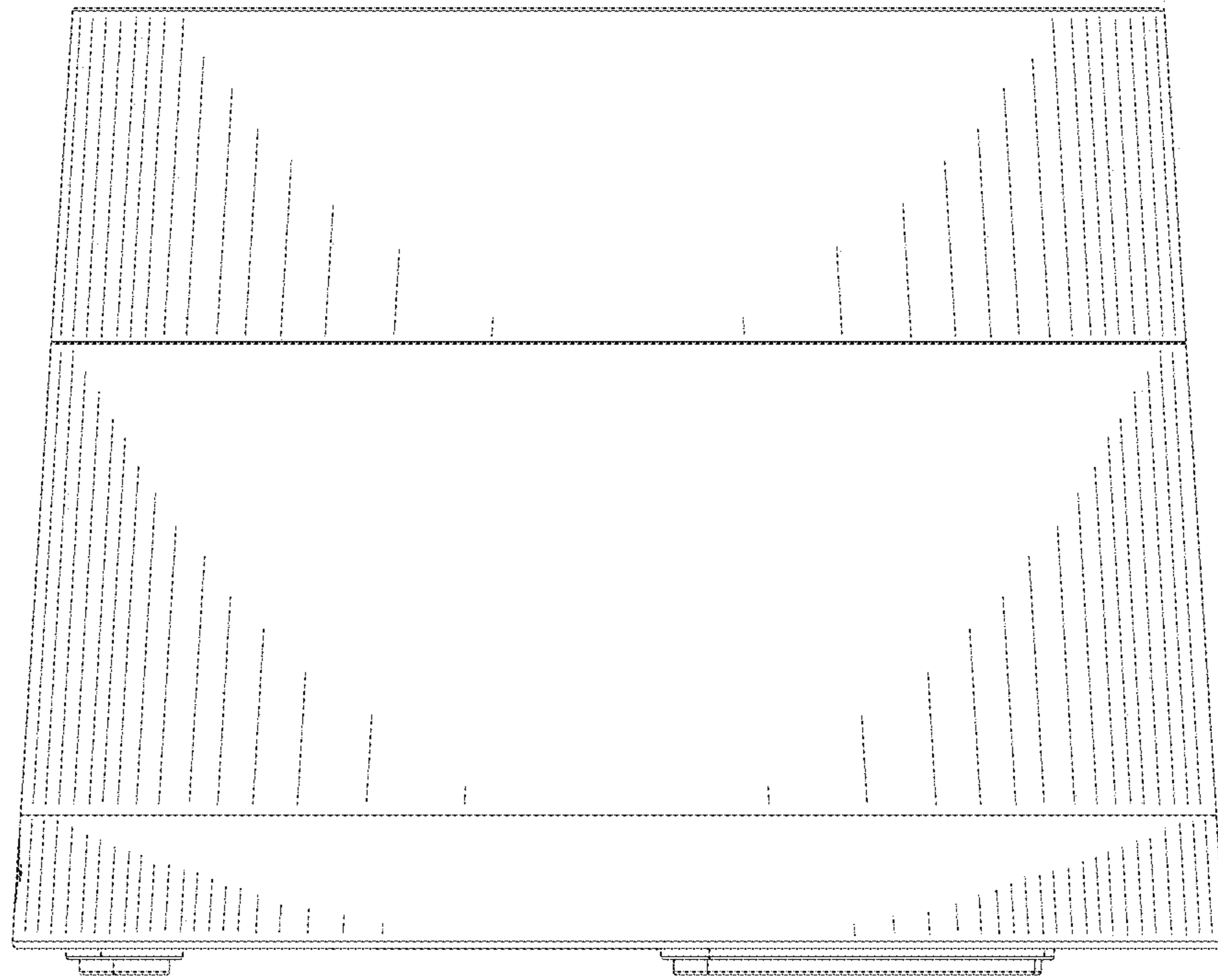


FIG.4

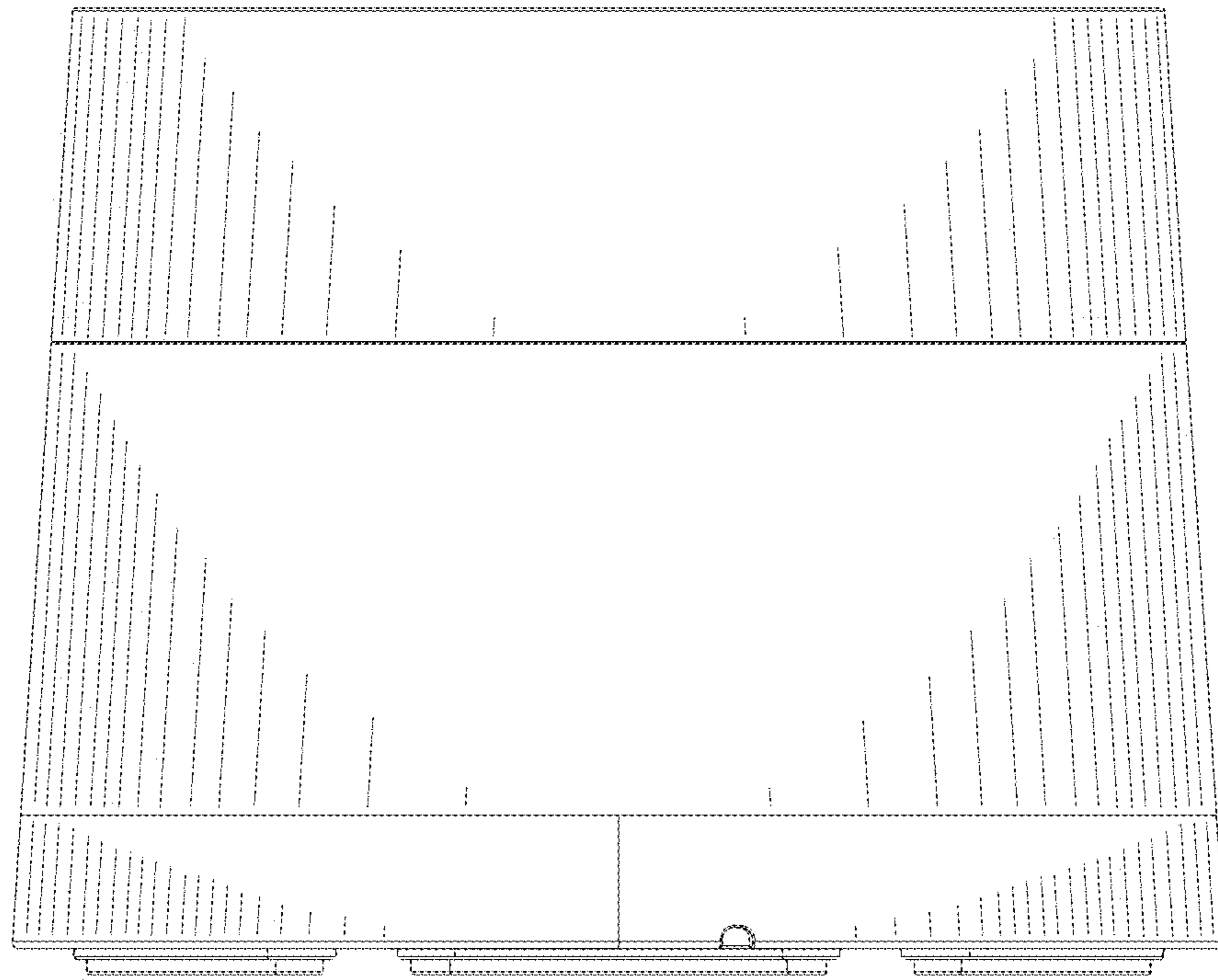


FIG.5

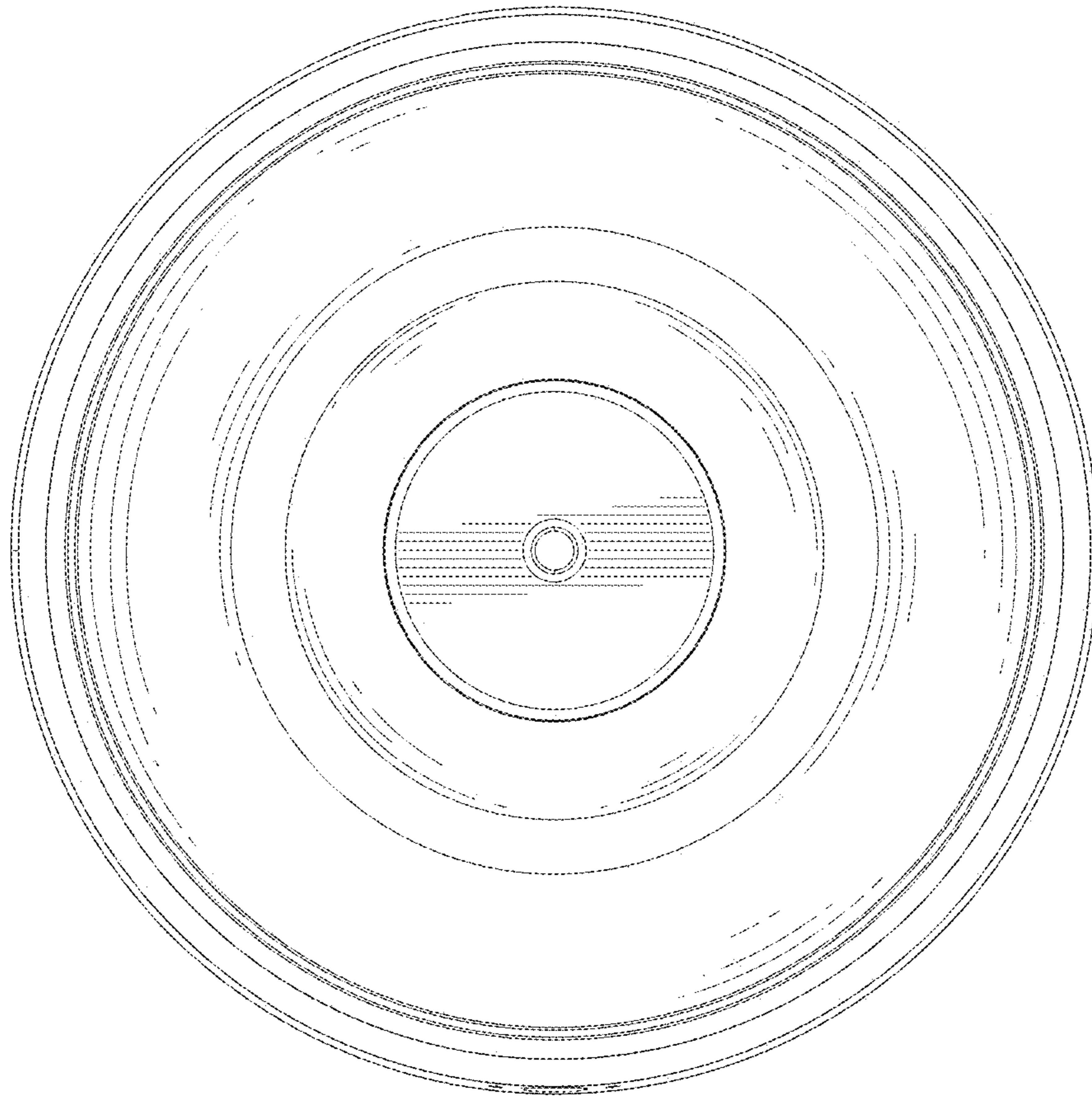


FIG.6

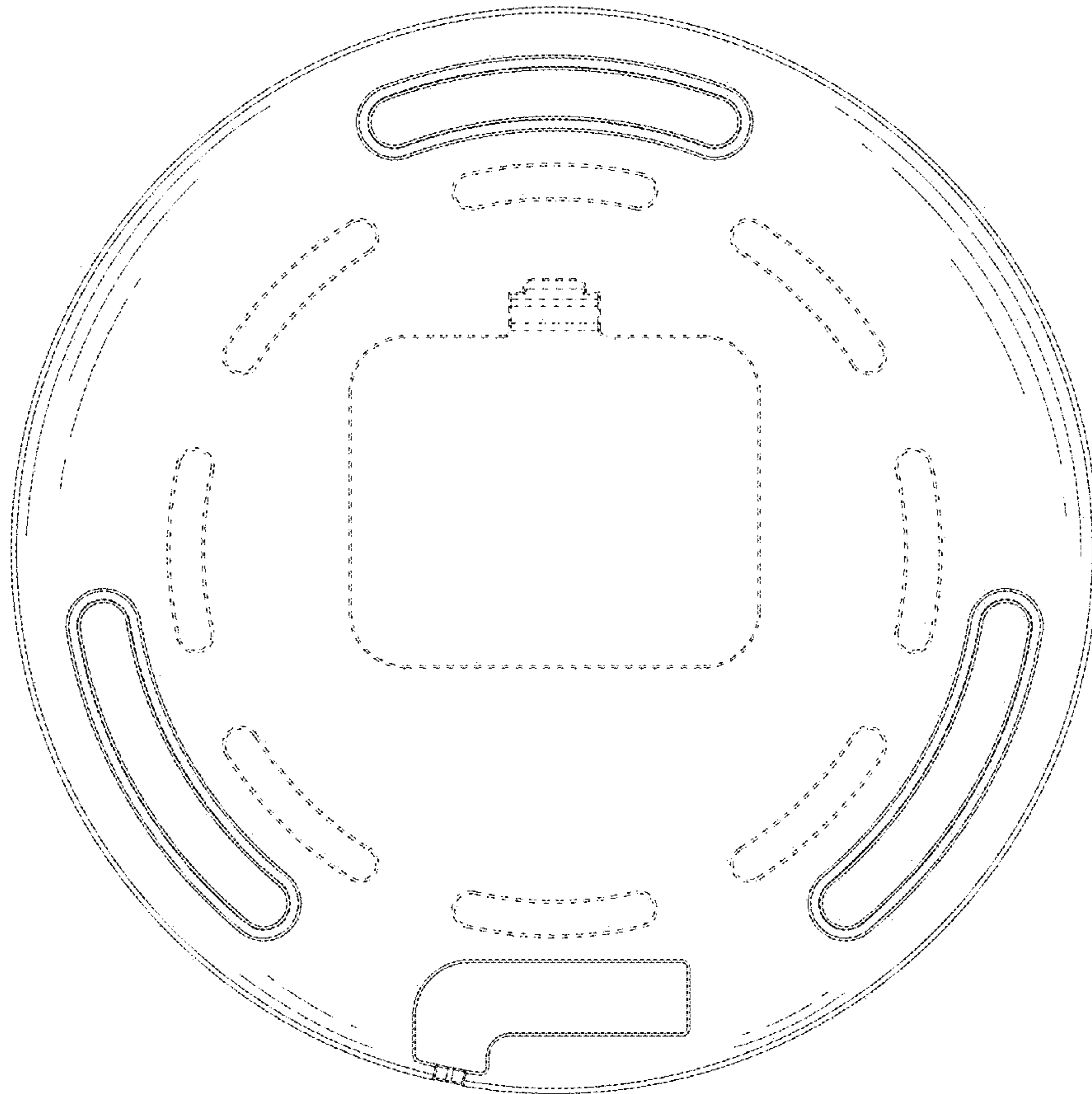


FIG.7