



US00D952956S

(12) **United States Design Patent**
Satana

(10) **Patent No.:** **US D952,956 S**

(45) **Date of Patent:** **** May 24, 2022**

(54) **BED FOR ANIMALS**

(71) Applicant: **Erman Satana**, Balikesir (TR)

(72) Inventor: **Erman Satana**, Balikesir (TR)

(73) Assignee: **WLO Wood, LLC**, Lewes, DE (US)

(**) Term: **15 Years**

(21) Appl. No.: **35/509,788**

(22) Filed: **Jun. 10, 2020**

(80) **Hague Agreement Data**

Int. Filing Date: **Jun. 10, 2020**

Int. Reg. No.: **DM/208957**

Int. Reg. Date: **Jun. 10, 2020**

Int. Reg. Pub. Date: **Jul. 10, 2020**

(51) **LOC (13) Cl.** **30-06**

(52) **U.S. Cl.**

USPC **D30/118; D30/160**

(58) **Field of Classification Search**

USPC D30/108, 118, 119; D6/382, 675.5,
D6/715.2, 718.1, 718.11, 718.12; D3/304

CPC A01K 1/033

See application file for complete search history.

(56) **References Cited**

U.S. PATENT DOCUMENTS

D326,936 S *	6/1992	Moore	D30/161
D426,034 S *	5/2000	Faulstich	D30/118
D443,732 S *	6/2001	Gelhar	D30/108
D469,583 S *	1/2003	Bentzinger	D30/118
6,895,898 B1 *	5/2005	Kitch	A01K 1/033 119/416
D669,644 S *	10/2012	Chang	D30/112
D685,580 S *	7/2013	Nash	D3/304
D726,971 S *	4/2015	Itzhak-Sigron	D6/383
D769,544 S *	10/2016	Niedwick	D30/161
D815,364 S *	4/2018	Lara	D30/118
2007/0107667 A1 *	5/2007	Morris	A01K 1/033 119/482
2013/0192533 A1 *	8/2013	Lamke	A01K 1/033 119/499
2017/0079238 A1 *	3/2017	Renforth	A01K 1/0353

OTHER PUBLICATIONS

“WLO: Pet Beds on Etsy”. Found online May 5, 2021 at etsy.com. Reference dated Feb. 6, 2020. Retrieved from https://www.etsy.com/shop/WLOWood?ref=simple-shop-header-name&listing_id=866862057.*

“Furniture + Fashion: Pet Bed Designs”. Found online Jan. 22, 2021 at furniturefashion.com. Reference dated Mar. 4, 2016. Retrieved from <https://web.archive.org/web/20160304175039/http://www.furniturefashion.com/10-crazy-pet-bed-designs-that-are-fun-and-stylish/>.*

“Petperoni: Six Stylish Dog Crates or Houses”. Found online Apr. 5, 2017 at petperoni.com. Reference dated Mar. 22, 2015. Retrieved from <http://www.petperoni.com/index.php/6-stylish-dog-crates-and-houses/>.*

“FrontPet: A-Frame Heated Cat House”. Found online Apr. 5, 2017 at amazon.com. Reference dated Jun. 16, 2016. Retrieved from https://www.amazon.com/FrontPet-Frame-Protected-Openings-Outdoor/dp/B01C5H66XA/ref=cm_cr_arp_d_product_top?ie=UTF8.*

* cited by examiner

Primary Examiner — Kendra Leslie Hamilton

(74) *Attorney, Agent, or Firm* — James G. Passé; Passé Intellectual Property, LLC

(57) **CLAIM**

The ornamental design for a bed for animals, as shown and described.

DESCRIPTION

Figure 1 is a right side elevation view of a bed for animals showing my new design;

Figure 2 is a top, front, right perspective view thereof;

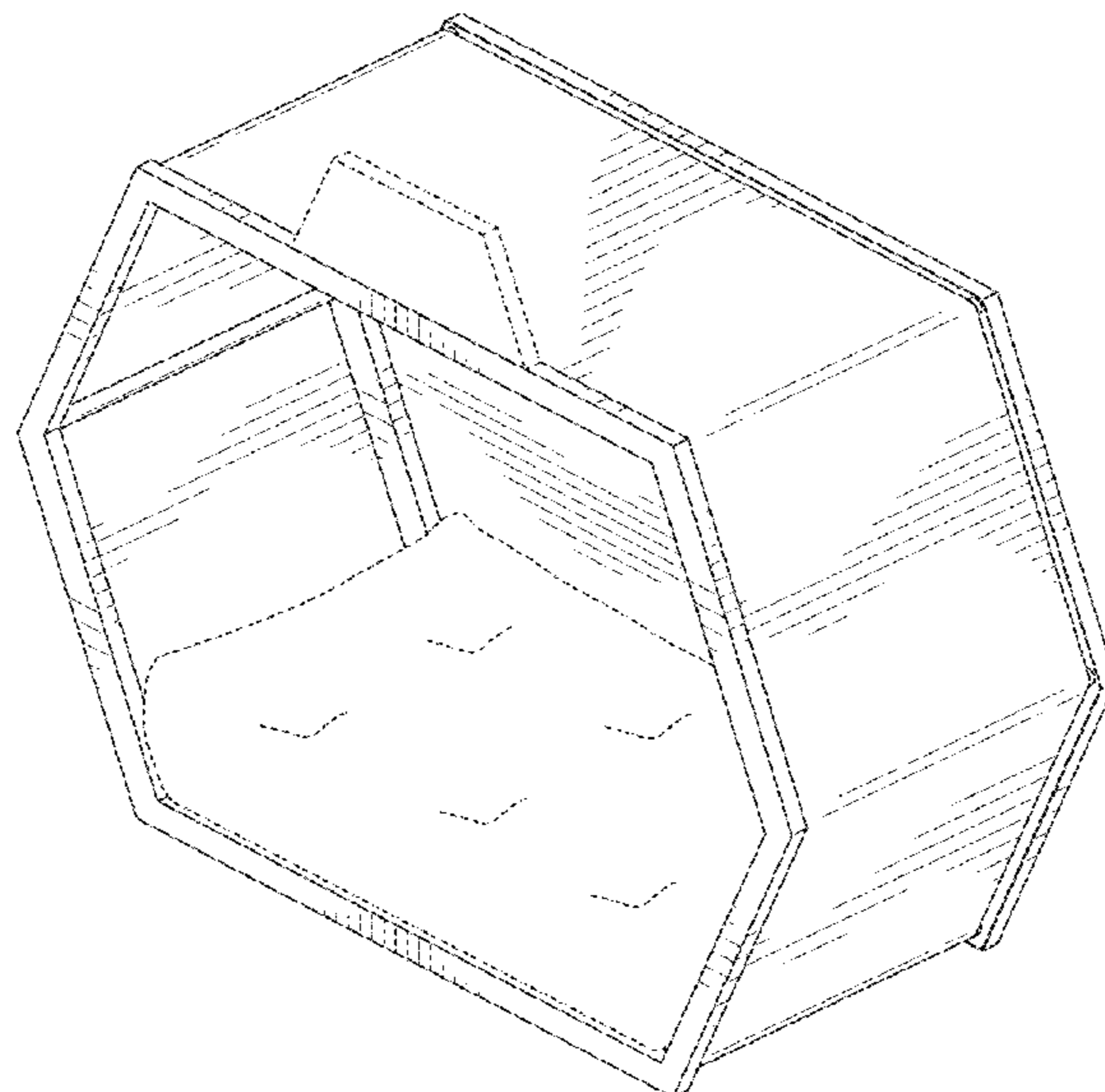
Figure 3 is a front elevation view thereof;

Figure 4 is a top, rear, left perspective view thereof; and

Figure 5 is a top, front perspective view thereof.

In the drawings, the broken lines depict portions of the bed for animals that form no part of the claimed design.

1 Claim, 5 Drawing Sheets



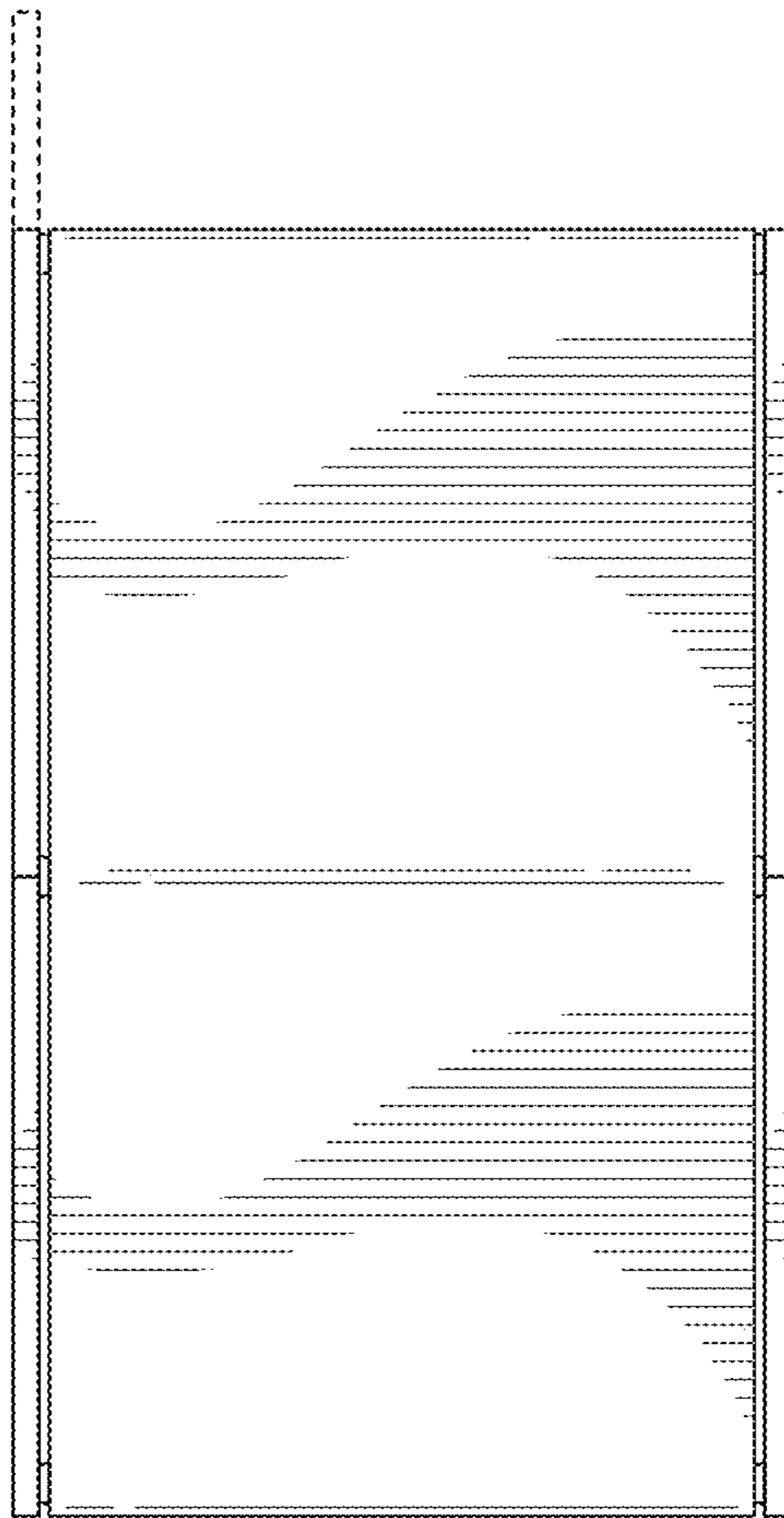


FIG. 1

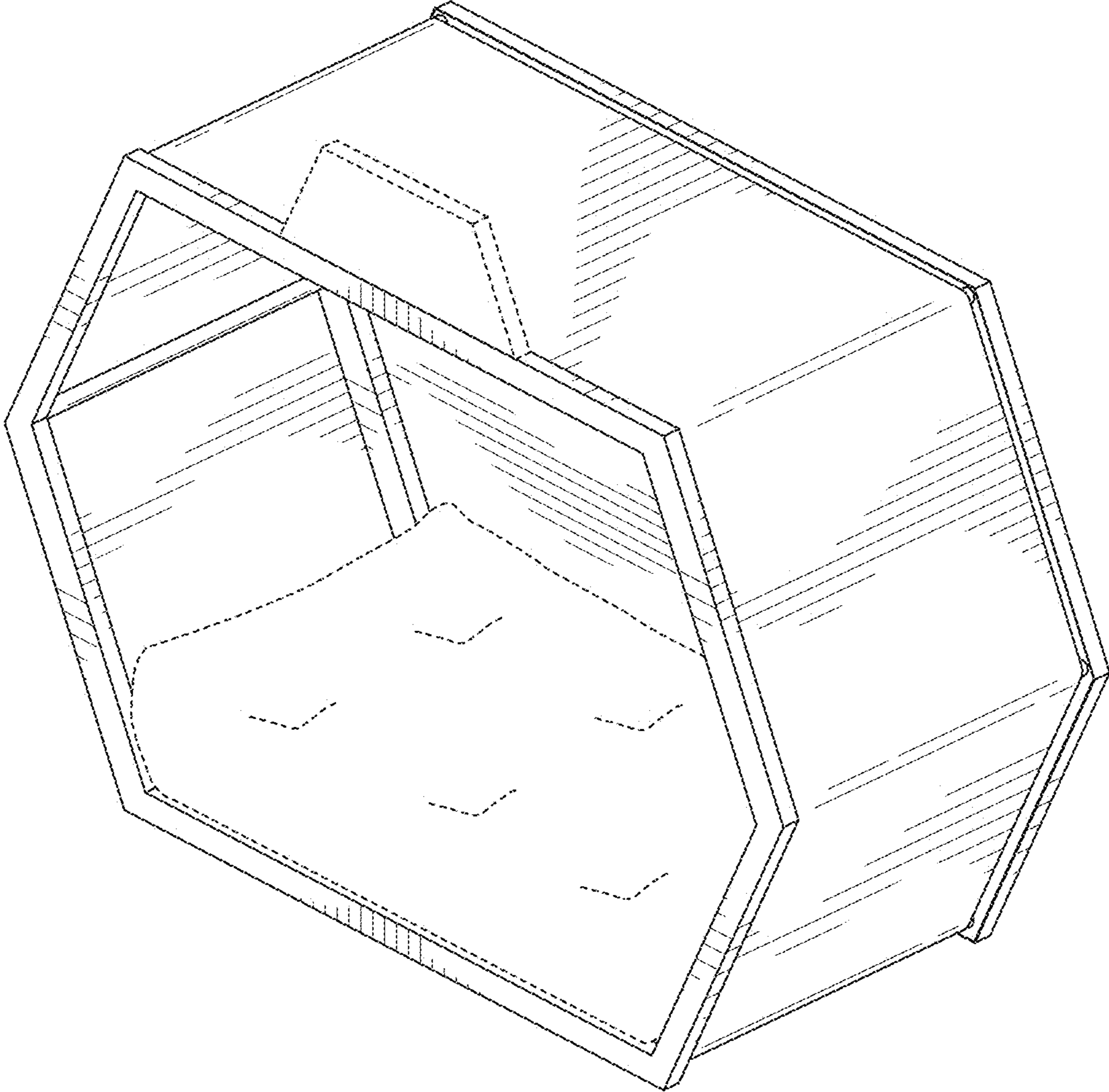


FIG. 2

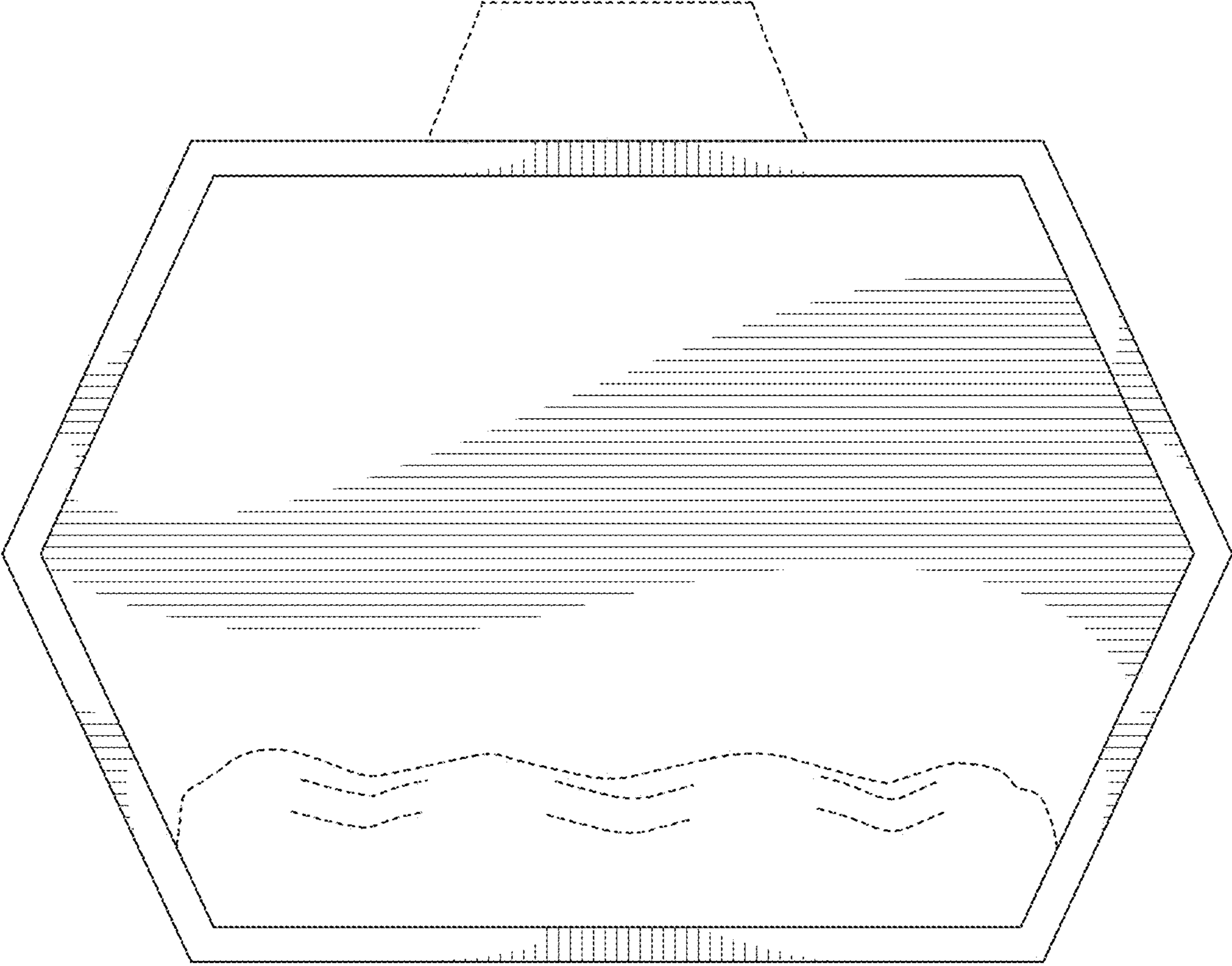


FIG. 3

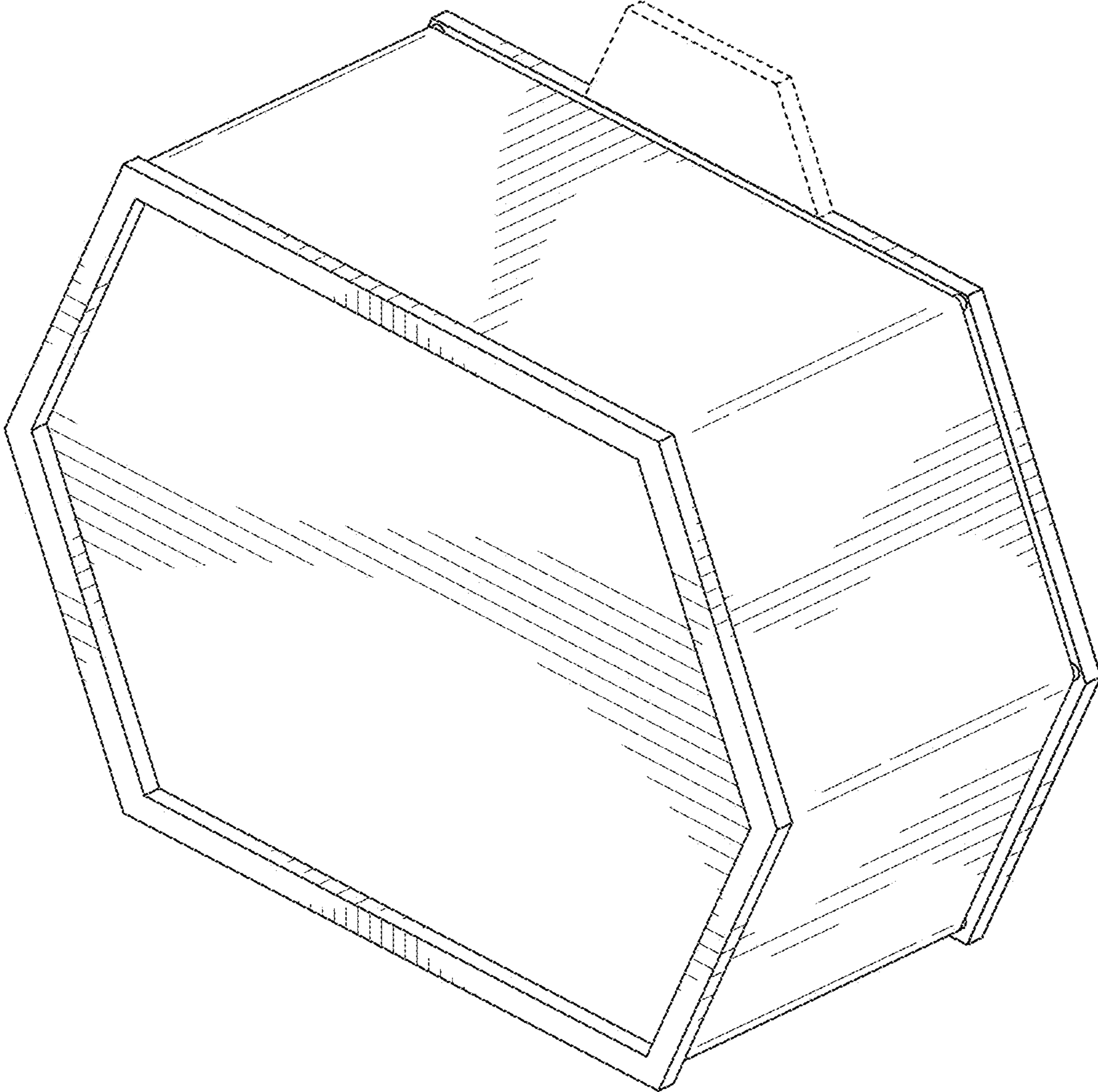


FIG. 4

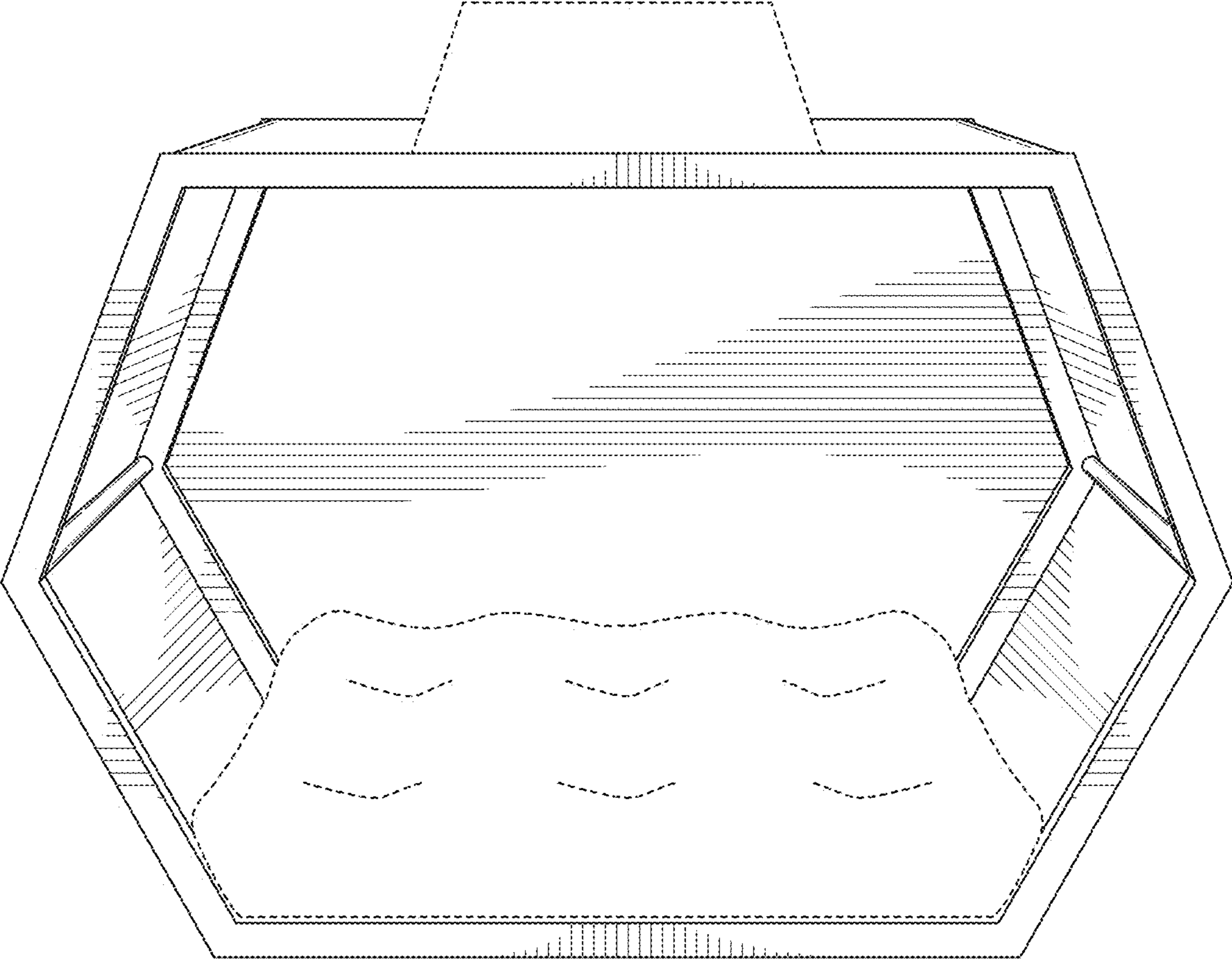


FIG. 5