



US00D952949S

(12) **United States Design Patent** (10) **Patent No.:** **US D952,949 S**  
**Schroder et al.** (45) **Date of Patent:** **\*\* May 24, 2022**

(54) **SILICONE FACE AND BODY SCRUBBER**

(71) Applicant: **SJC IP Holdings Pty Ltd**, Virginia (AU)

(72) Inventors: **Gareth Schroder**, Virginia (AU); **Saul Cockburn**, Virginia (AU); **Joshua Cockburn**, Virginia (AU)

(73) Assignee: **SJC IP Holdings Pty Ltd**, Virginia (AU)

(\*\*) Term: **15 Years**

(21) Appl. No.: **29/745,947**

(22) Filed: **Aug. 11, 2020**

(51) **LOC (13) Cl.** ..... **28-03**

(52) **U.S. Cl.**  
USPC ..... **D28/63**

(58) **Field of Classification Search**  
USPC ..... D28/63; D4/130, 134, 136, 137, 138, D4/199, 119, 120, 211; D8/303, 316; D24/214, 215  
CPC ..... A47K 7/022; A47K 7/043; A47K 7/02; A46B 2200/1006  
See application file for complete search history.

(56) **References Cited**

**U.S. PATENT DOCUMENTS**

|           |     |         |            |         |
|-----------|-----|---------|------------|---------|
| 2,944,273 | A   | 7/1960  | Harris     |         |
| 3,368,554 | A   | 2/1968  | Hwa        |         |
| D249,893  | S * | 10/1978 | Armbruster | D24/211 |
| D260,928  | S * | 9/1981  | Gueret     | D24/211 |
| D351,474  | S * | 10/1994 | Huang      | D24/211 |
| D357,322  | S   | 4/1995  | Matthews   |         |
| D518,915  | S * | 4/2006  | Angeletta  | D28/7   |
| D725,790  | S * | 3/2015  | Givord     | D24/214 |
| D740,033  | S * | 10/2015 | Gruber     | D4/104  |
| D756,121  | S * | 5/2016  | Gruber     | D4/104  |
| D782,138  | S * | 3/2017  | Xavier     | D32/35  |

|            |     |         |               |         |
|------------|-----|---------|---------------|---------|
| D789,611   | S * | 6/2017  | Filho         | D28/73  |
| D816,342   | S   | 5/2018  | Tai           |         |
| D817,571   | S * | 5/2018  | Campbell      | D32/35  |
| D821,594   | S * | 6/2018  | Davidson      | D24/200 |
| D849,263   | S * | 5/2019  | Soutelo Gomes | D24/215 |
| D876,935   | S * | 3/2020  | Krull         | D8/367  |
| D882,176   | S * | 4/2020  | Huang         | D28/63  |
| D897,688   | S * | 10/2020 | Li            | D4/128  |
| 10,791,819 | B2  | 10/2020 | Caccamise     |         |
| D902,491   | S * | 11/2020 | de la Cruz    | D28/63  |
| D906,691   | S * | 1/2021  | Shi           | D4/130  |

(Continued)

**OTHER PUBLICATIONS**

The Body Scrubber by Tooletries [on-line]. [Original publication date unknown.] [Retrieved from the Internet Sep. 16, 2021.] URL: >https://tooletries.com/collections/face-body-scrubber/products/the-body-scrubber< (Year: 2021).\*

(Continued)

*Primary Examiner* — Karen E Eldridge Powers  
(74) *Attorney, Agent, or Firm* — Shackelford, Bowen, McKinley & Norton, LLP

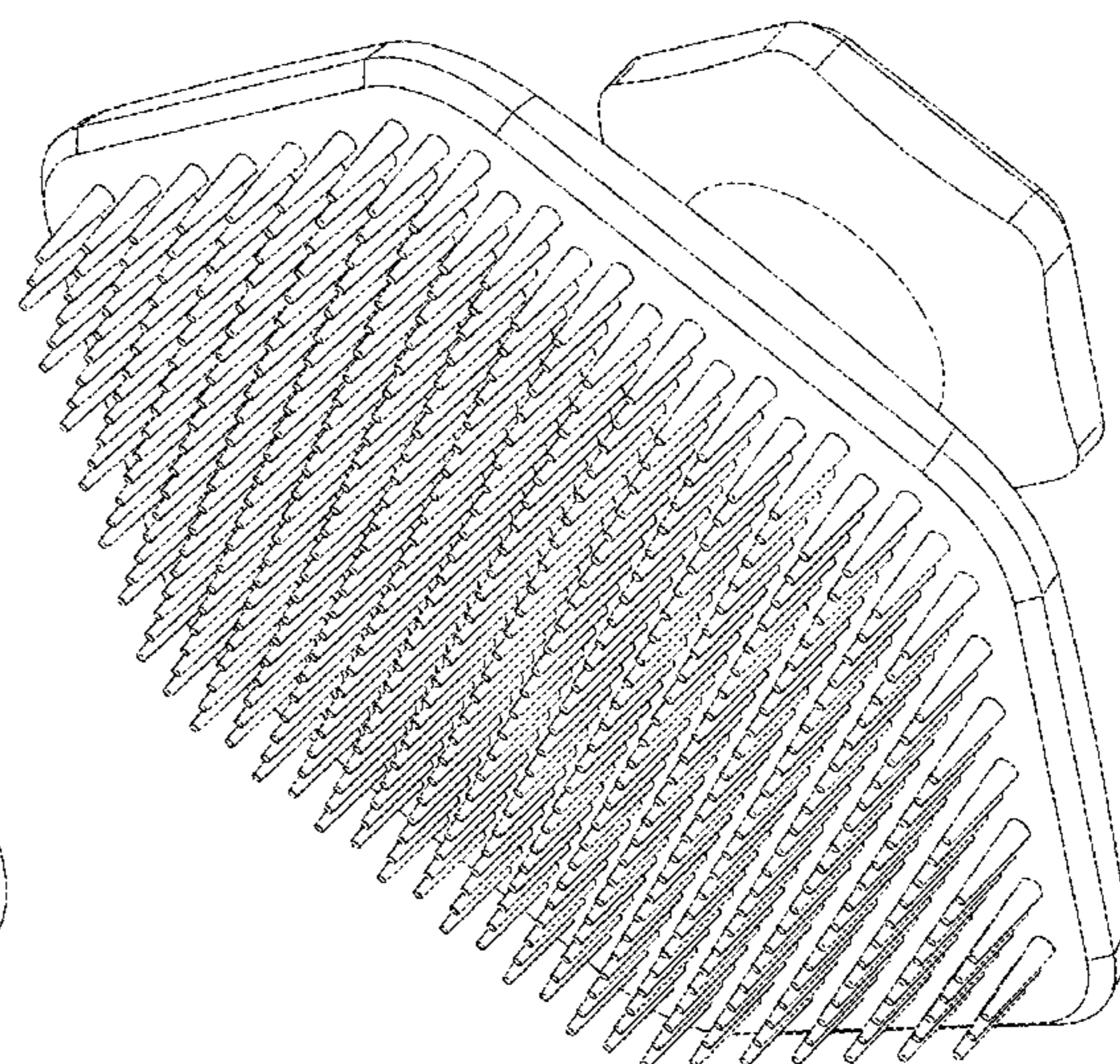
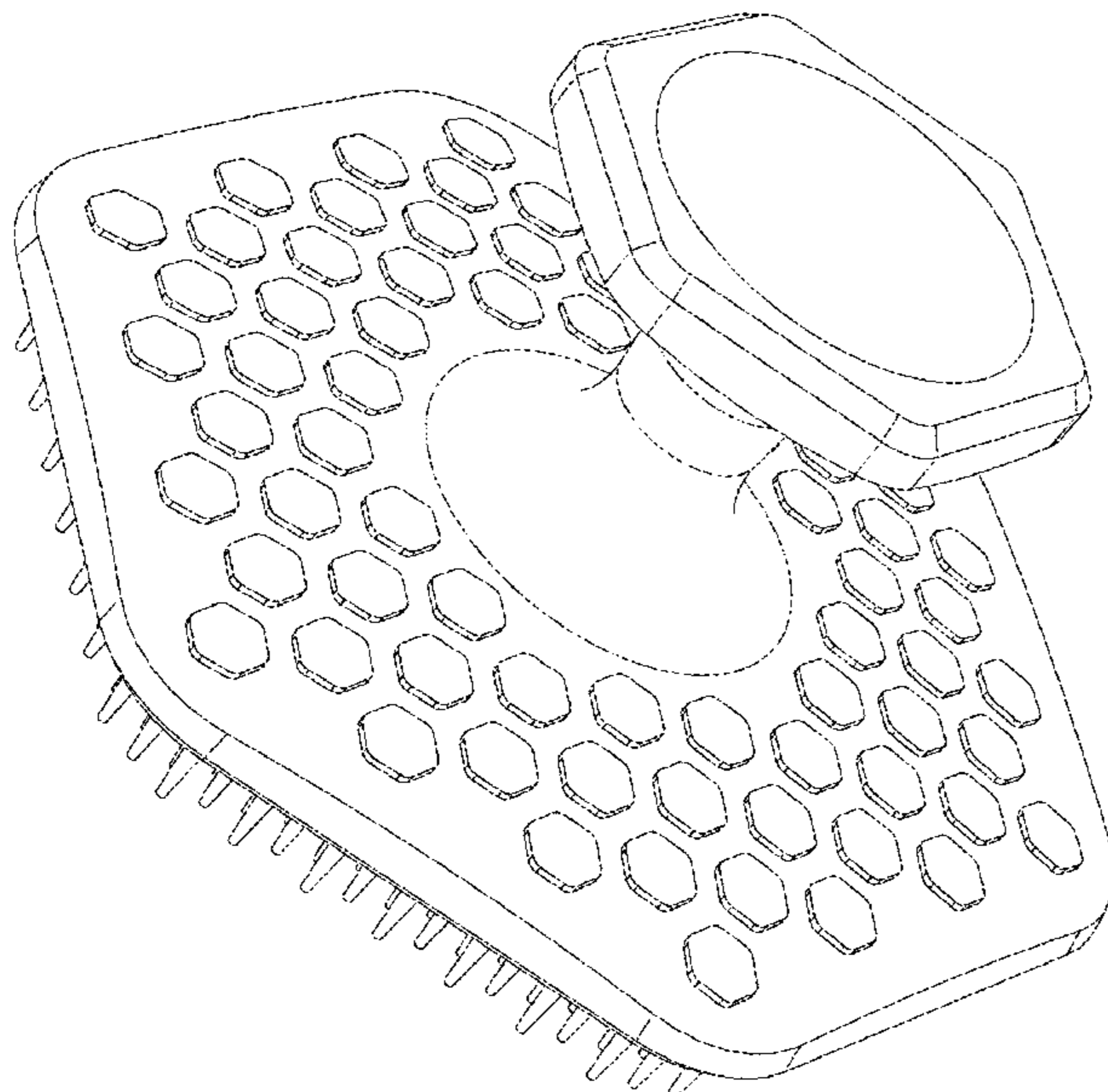
(57) **CLAIM**

The ornamental design for a silicone face and body scrubber, as shown and described.

**DESCRIPTION**

FIG. 1 is a top perspective view of a silicone face and body scrubber in accordance with the design; FIG. 2 is a bottom perspective view thereof; FIG. 3 is a top plan view thereof; FIG. 4 is a front elevation view thereof; and, FIG. 5 is a bottom plan view thereof. Long-dash/short-dash/short-dash broken lines shown in the drawings illustrate features of the article in which the design is embodied that form no part of the claim.

**1 Claim, 5 Drawing Sheets**



(56)

**References Cited**

U.S. PATENT DOCUMENTS

|              |     |         |              |                        |
|--------------|-----|---------|--------------|------------------------|
| 2005/0142093 | A1* | 6/2005  | Skover ..... | A61K 8/41<br>424/70.14 |
| 2016/0135582 | A1* | 5/2016  | Yen .....    | A47K 7/04<br>15/22.1   |
| 2019/0312452 | A1* | 10/2019 | Chen .....   | H02J 50/10             |

OTHER PUBLICATIONS

The Face Scrubber | Gentle by Tooletries [on-line]. [Original publication date unknown.] [Retrieved from the Internet Sep. 16, 2021.] URL: ><https://tooletries.com/collections/face-body-scrubber/products/the-face-scrubber-gentle-exfoliate>< (Year: 2021).\*

Tooletries—Burgundy Body Scrubber on Vimeo [on-line]. [Publication approximately 10 months prior to Sep. 16, 2021.] [Retrieved from the Internet Sep. 16, 2021.] URL: ><https://vimeo.com/472885129>< (Year: 2020).\*

Tooletries—Burgundy Body Scrubber on Vimeo [on-line]. [Publication date Oct. 28, 2020.] [Retrieved from the Internet Sep. 16, 2021.] URL: ><https://www.bing.com/videos/searchq=tooletries+body+scrubber+review&docid=608027585253293925&mid=7B8A42B2D98EB47062267B8A42B2D98EB4706226&view=detail&FORM=VIRE>< (Year: 2020).\*

The Face Scrubber | Firm by Tooletries [on-line]. [Original publication date unknown.] [Retrieved from the Internet Sep. 16, 2021.] URL: ><https://tooletries.com/collections/face-body-scrubber/products-the-face-scrubber-deep-cleanse>< (Year: 2021).\*

Screen capture from video, “Tooletries Body Scrubber Review,” [on-line]. [Published Jan. 28, 2021.] [Retrieved from the Internet Sep. 16, 2021.] URL: ><https://www.youtube.com/watch?v=droFIWefATs>< (Year: 2021).\*

Schroder, Gareth; Silicone Face and Body Scrubber; Design U.S. Appl. No. 29/743,590, filed Jul. 22, 2020; 17 pages.

The Body Scrubber—Gentle by Tooletries [on-line]. [Original publication date unknown.] [Retrieved from the Internet Sep. 16, 2021.] URL: ><https://tooletries.com/collections/face-body-scrubber/products/the-face-scrubber-gentle-exfoliate>< (Year: 2021).

\* cited by examiner

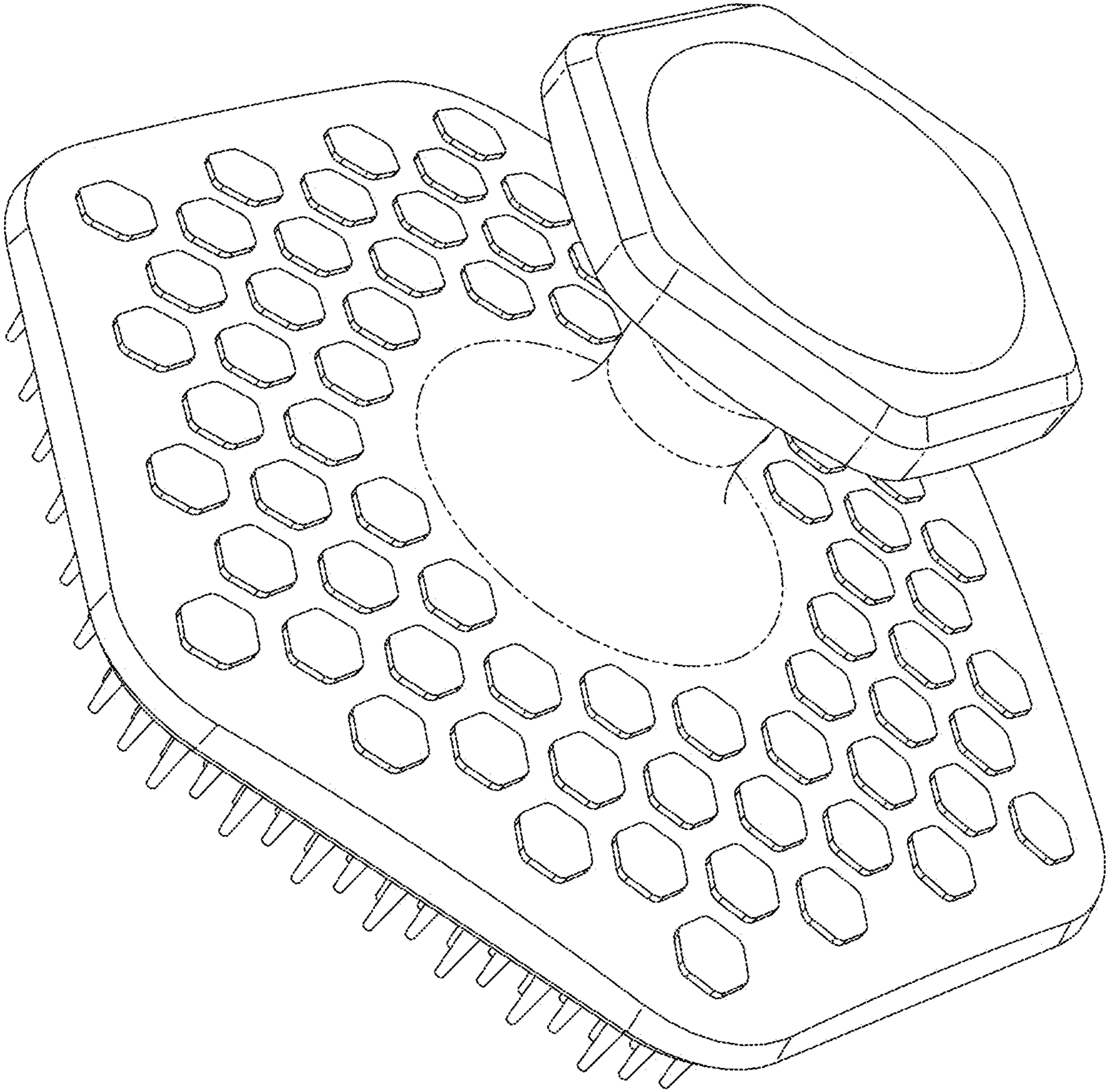


FIG. 1

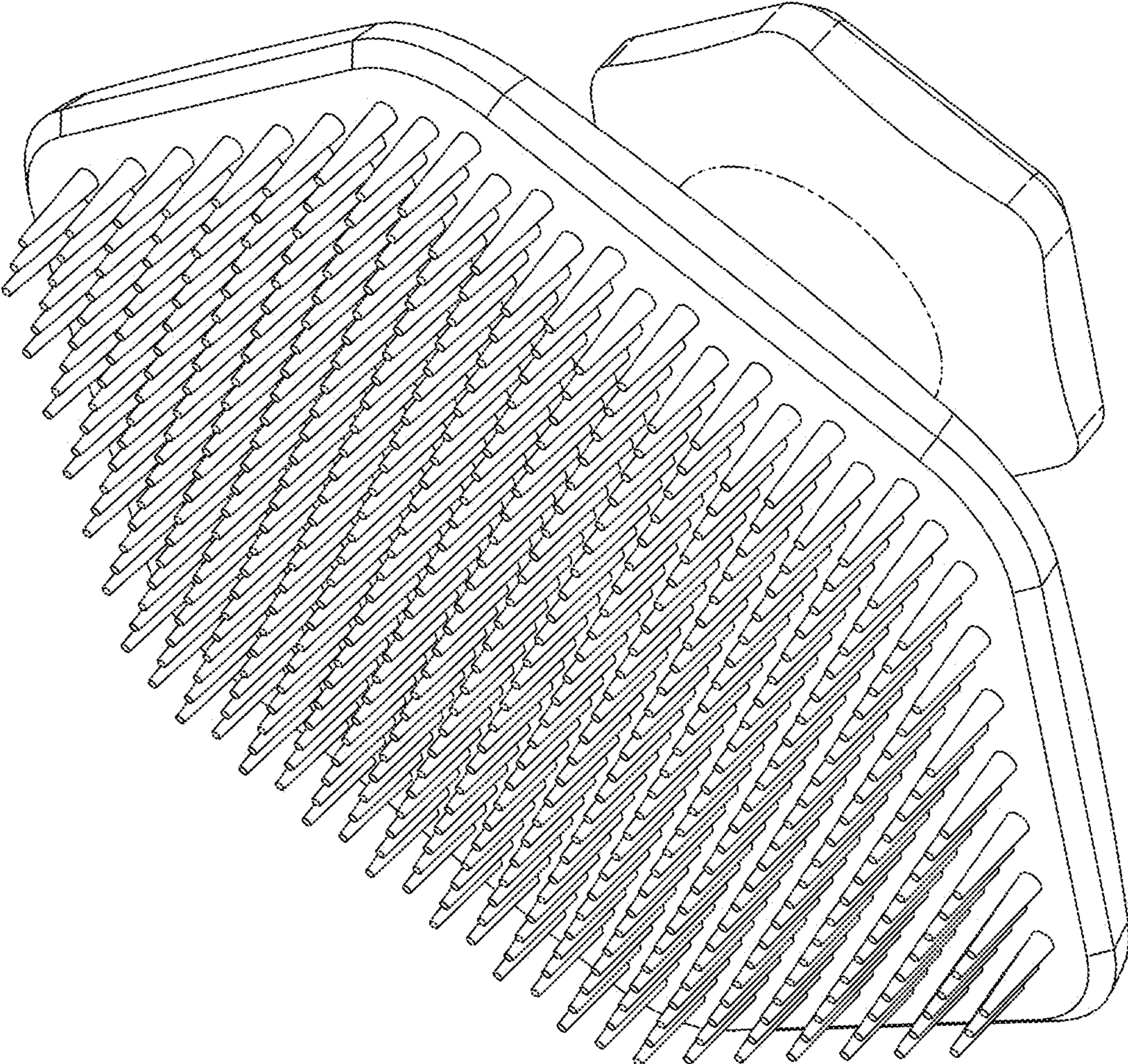


FIG. 2

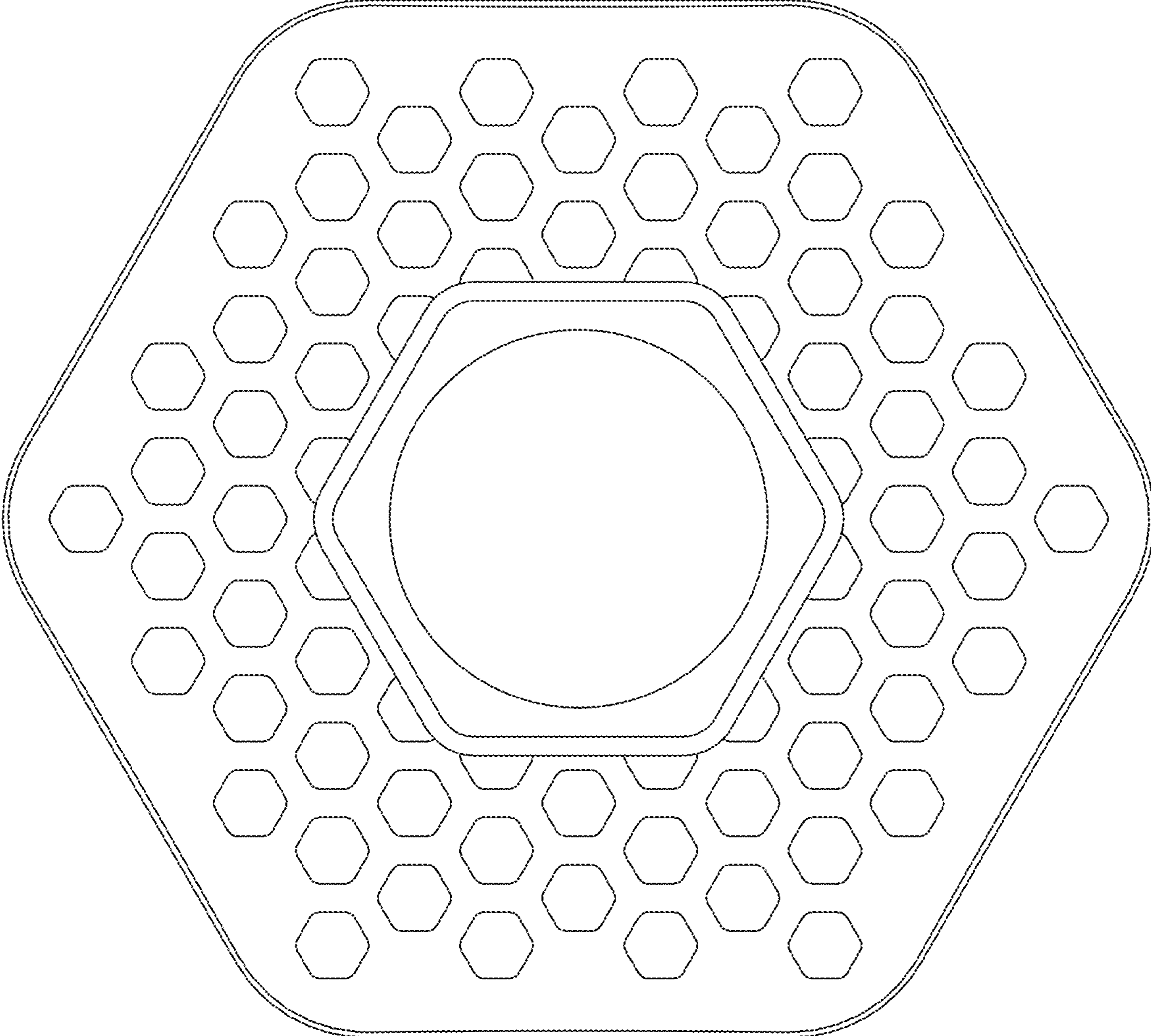


FIG. 3

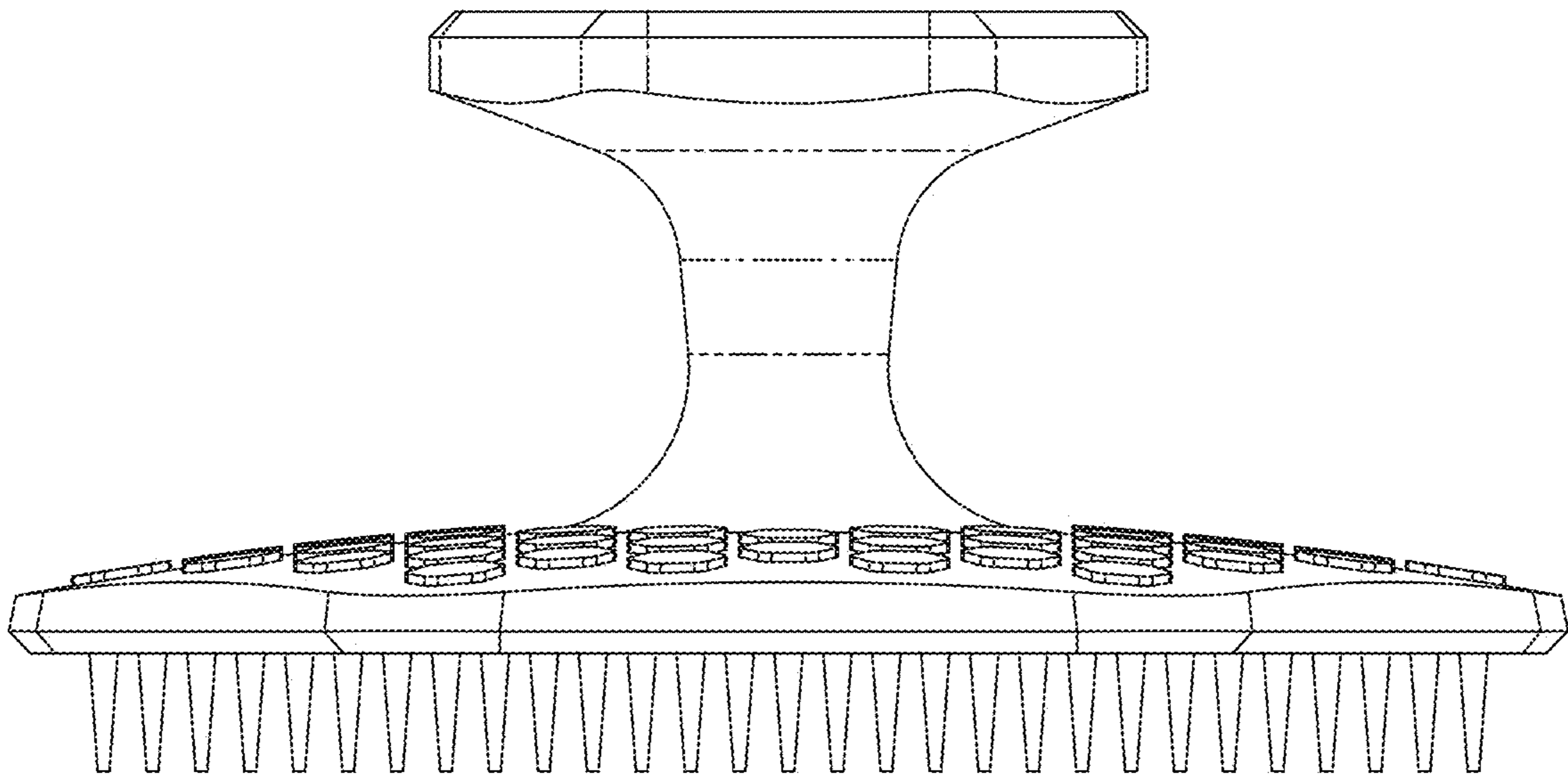


FIG. 4

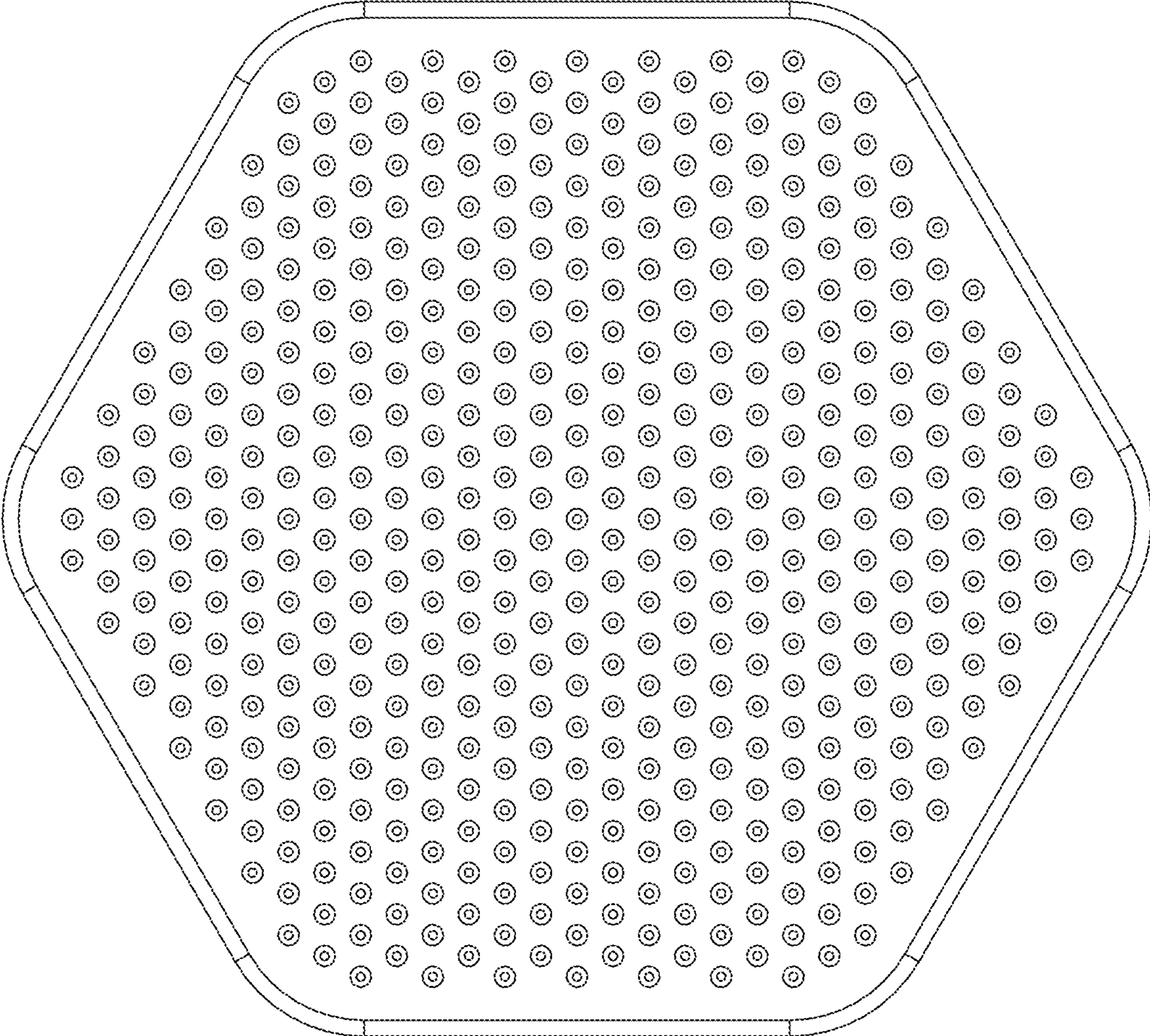


FIG. 5