



US00D952948S

(12) **United States Design Patent** (10) **Patent No.:** **US D952,948 S**  
**Lu** (45) **Date of Patent:** **\*\* May 24, 2022**

(54) **ELECTRIC NAIL POLISHING PEN**

(71) Applicant: **SHENZHEN XPADSP TECHNOLOGY CO., LTD**, Shenzhen (CN)

(72) Inventor: **Qing Lu**, Shenzhen (CN)

(\*\*) Term: **15 Years**

(21) Appl. No.: **29/740,436**

(22) Filed: **Jul. 3, 2020**

(51) **LOC (13) Cl.** ..... **28-03**

(52) **U.S. Cl.**  
USPC ..... **D28/58**

(58) **Field of Classification Search**  
USPC ..... D28/56-60; D30/158; D24/113, 133, D24/144, 152, 146-147, 214  
CPC ..... A45D 29/00; A45D 29/02; A45D 29/04; A45D 29/05; A45D 29/11; A45D 29/14; A01K 13/00; A01K 13/001; A61B 17/54  
See application file for complete search history.

(56) **References Cited**

**U.S. PATENT DOCUMENTS**

D355,971 S *	2/1995	Meller	.....	D24/152
D600,413 S *	9/2009	Khubani	.....	D30/158
D758,566 S *	6/2016	Chen	.....	D24/113
D903,866 S *	12/2020	Chen	.....	D24/144
D908,210 S *	1/2021	Saint	.....	D24/113
D909,681 S *	2/2021	Lu	.....	D28/57
D921,196 S *	6/2021	Wang	.....	D24/133
D925,126 S *	7/2021	Li	.....	D28/58

D929,042 S *	8/2021	Lu	.....	D28/58
2006/0137703 A1 *	6/2006	Kling	.....	A45D 29/05 132/73.6
2011/0247642 A1 *	10/2011	Cristina	.....	A45D 29/18 132/200
2020/0037727 A1 *	2/2020	Butler	.....	A45D 29/14
2021/0045513 A1 *	2/2021	Cheng	.....	H02J 7/0045

\* cited by examiner

*Primary Examiner* — Jennifer Rivard  
*Assistant Examiner* — Alison M Ofstun

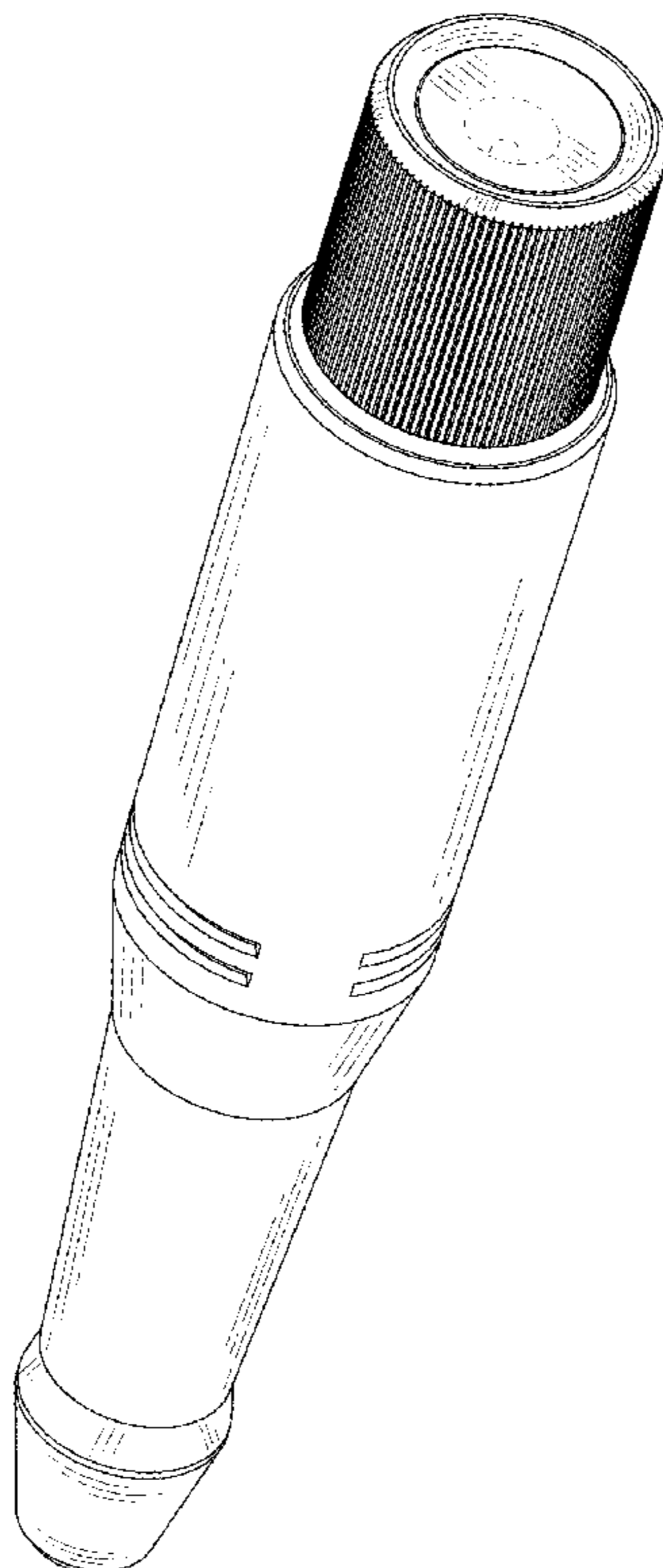
(57) **CLAIM**

The ornamental design for an electric nail polishing pen, as shown and described.

**DESCRIPTION**

FIG. 1 is a first perspective view of an electric nail polishing pen showing my new design;  
FIG. 2 is a second perspective view thereof;  
FIG. 3 is a front view thereof,  
FIG. 4 is a back view thereof;  
FIG. 5 is a left side view thereof;  
FIG. 6 is a right side view thereof;  
FIG. 7 is a top view thereof  
FIG. 8 is a bottom view thereof; and,  
FIG. 9 is an enlarged view of portion "9" shown in FIG. 3.  
In the drawings, the evenly dashed broken lines illustrating portions of the electric nail polishing pen which form no part of the claimed design. In the drawings, the dot-dash broken lines illustrate enlarged view indicators and form no part of the claimed design.

**1 Claim, 9 Drawing Sheets**



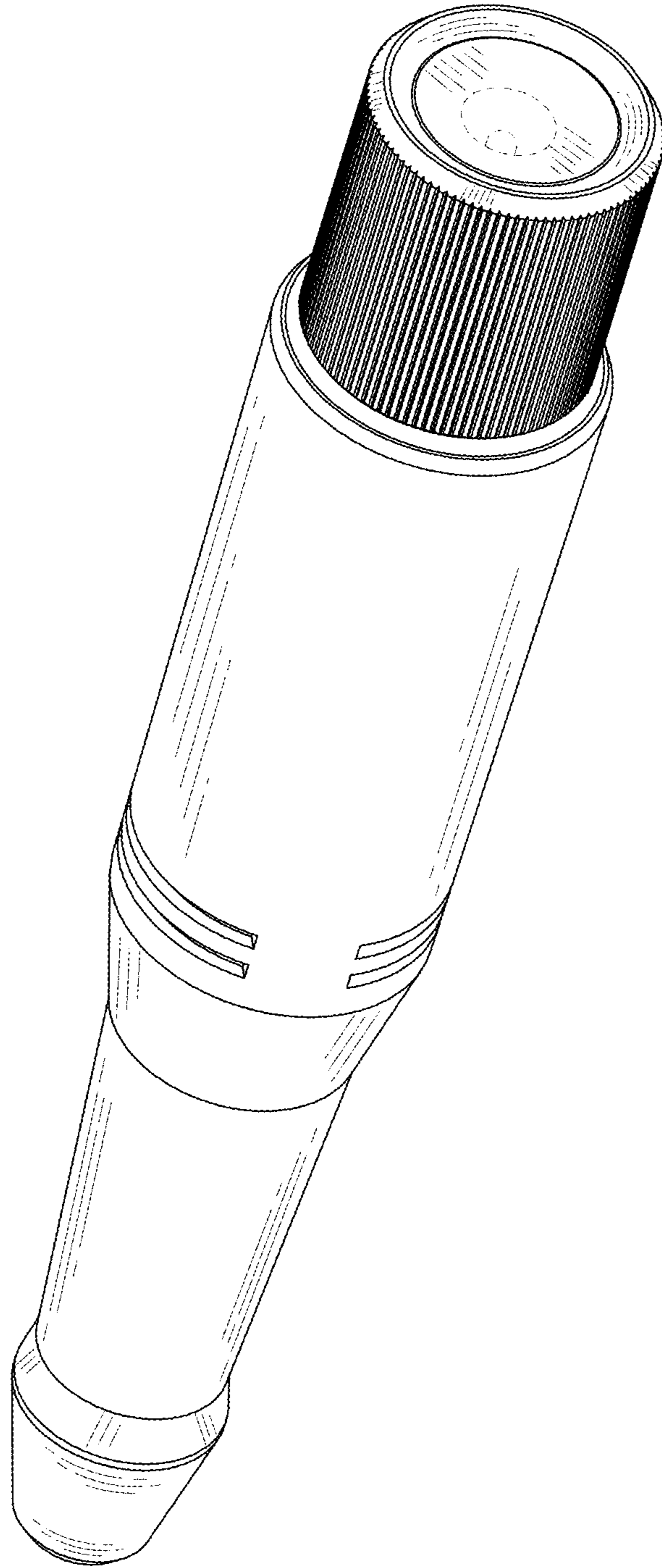


FIG. 1

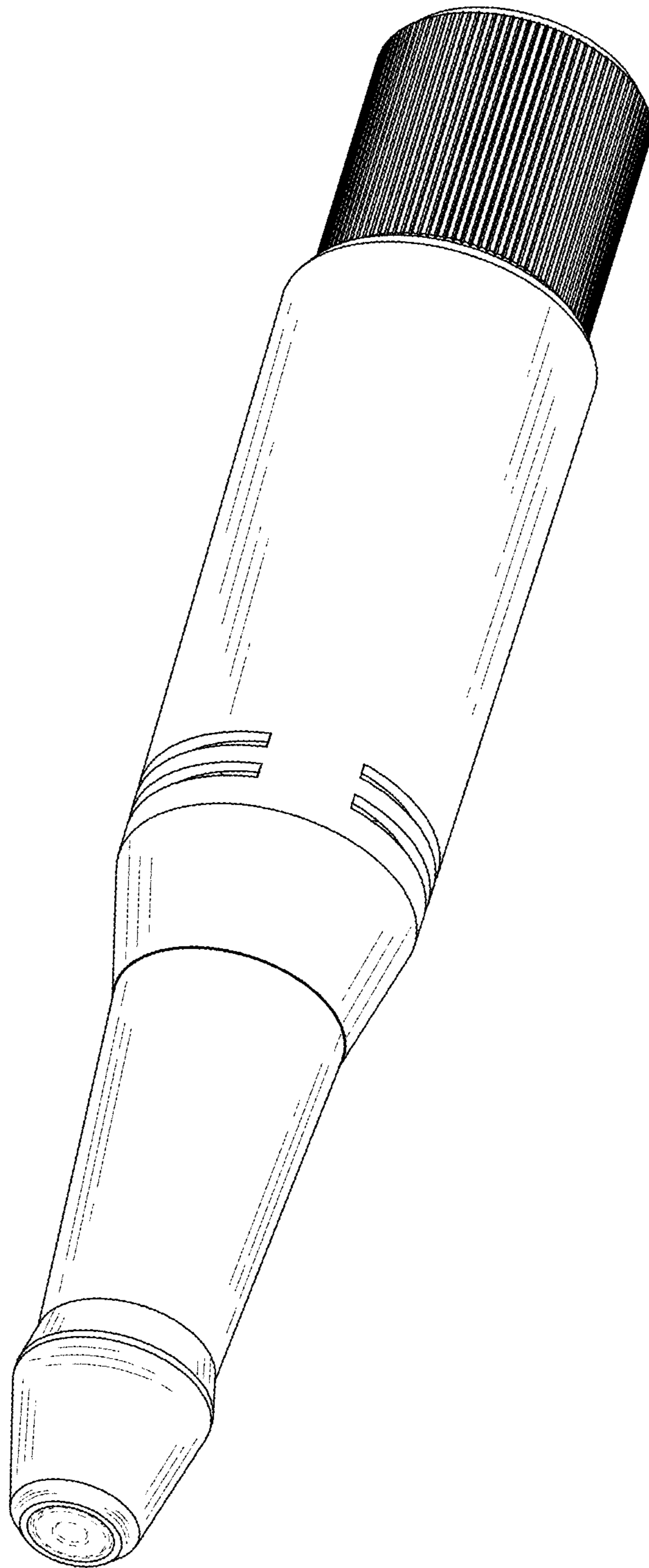


FIG. 2

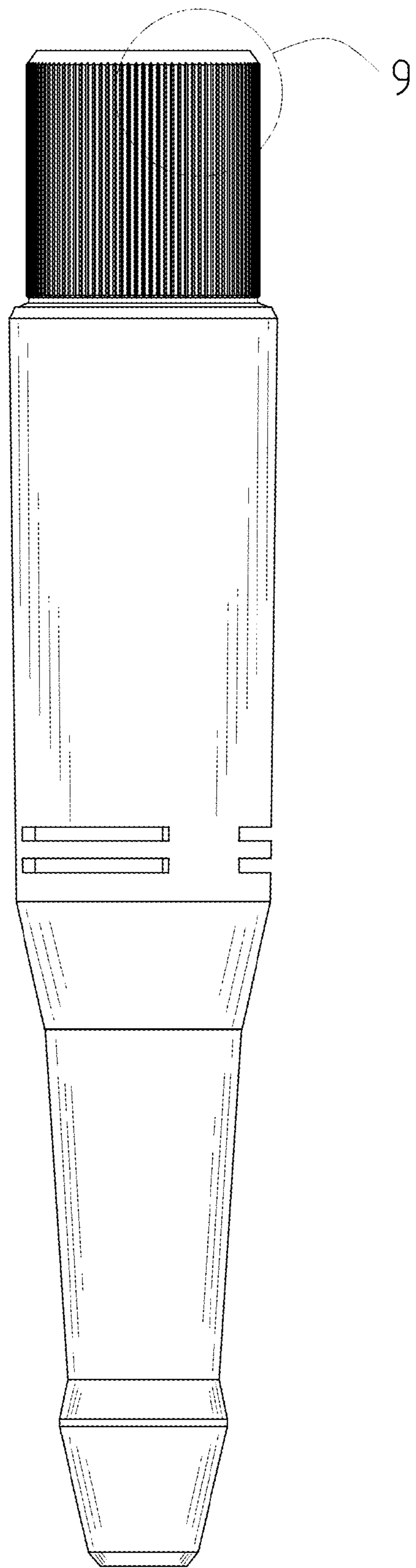


FIG. 3

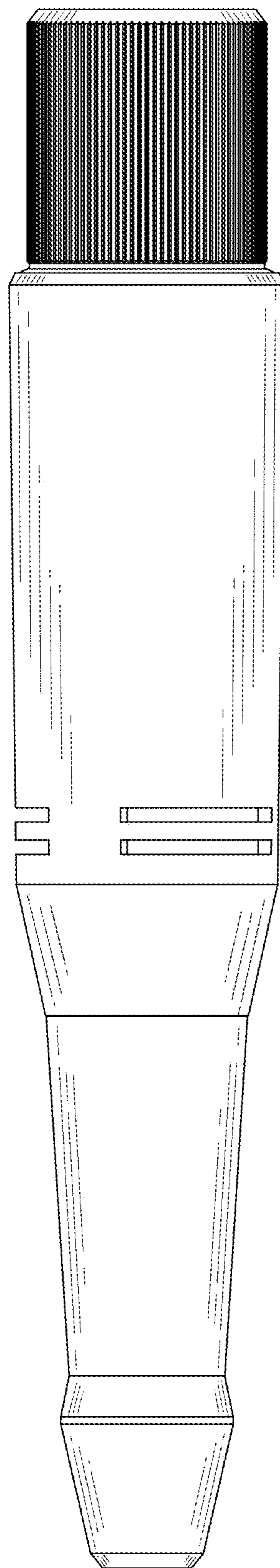


FIG. 4

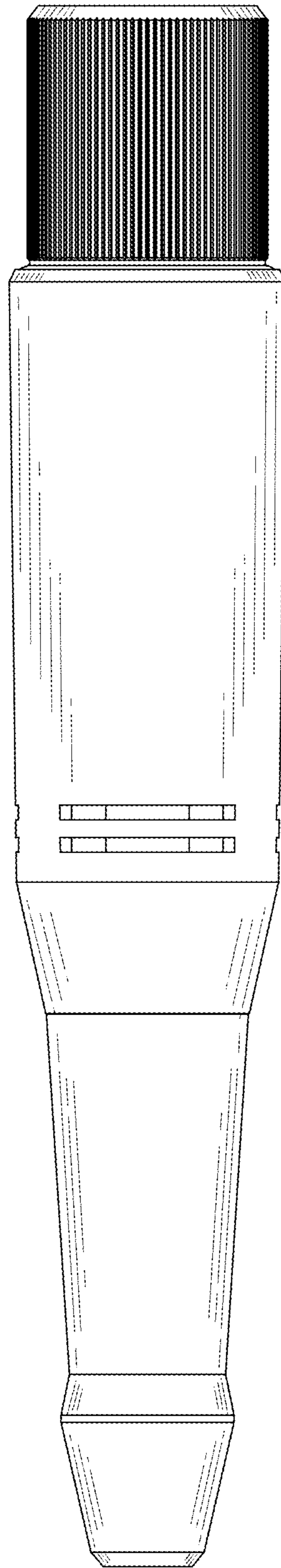


FIG. 5

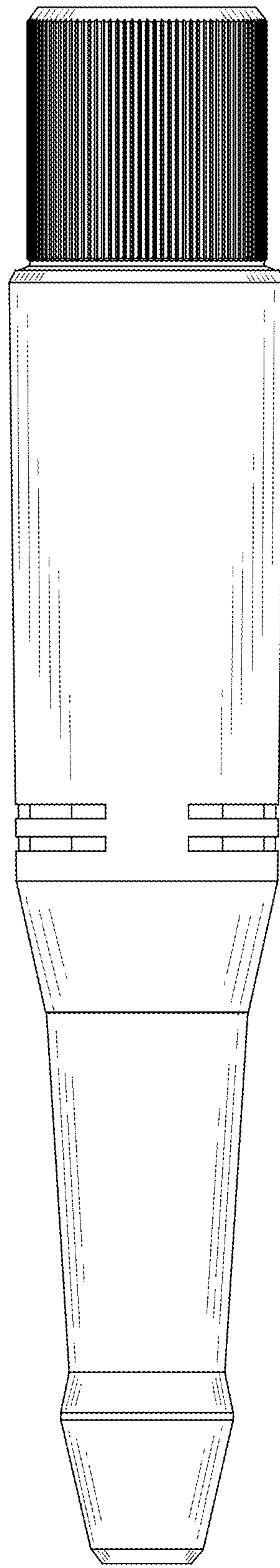


FIG. 6

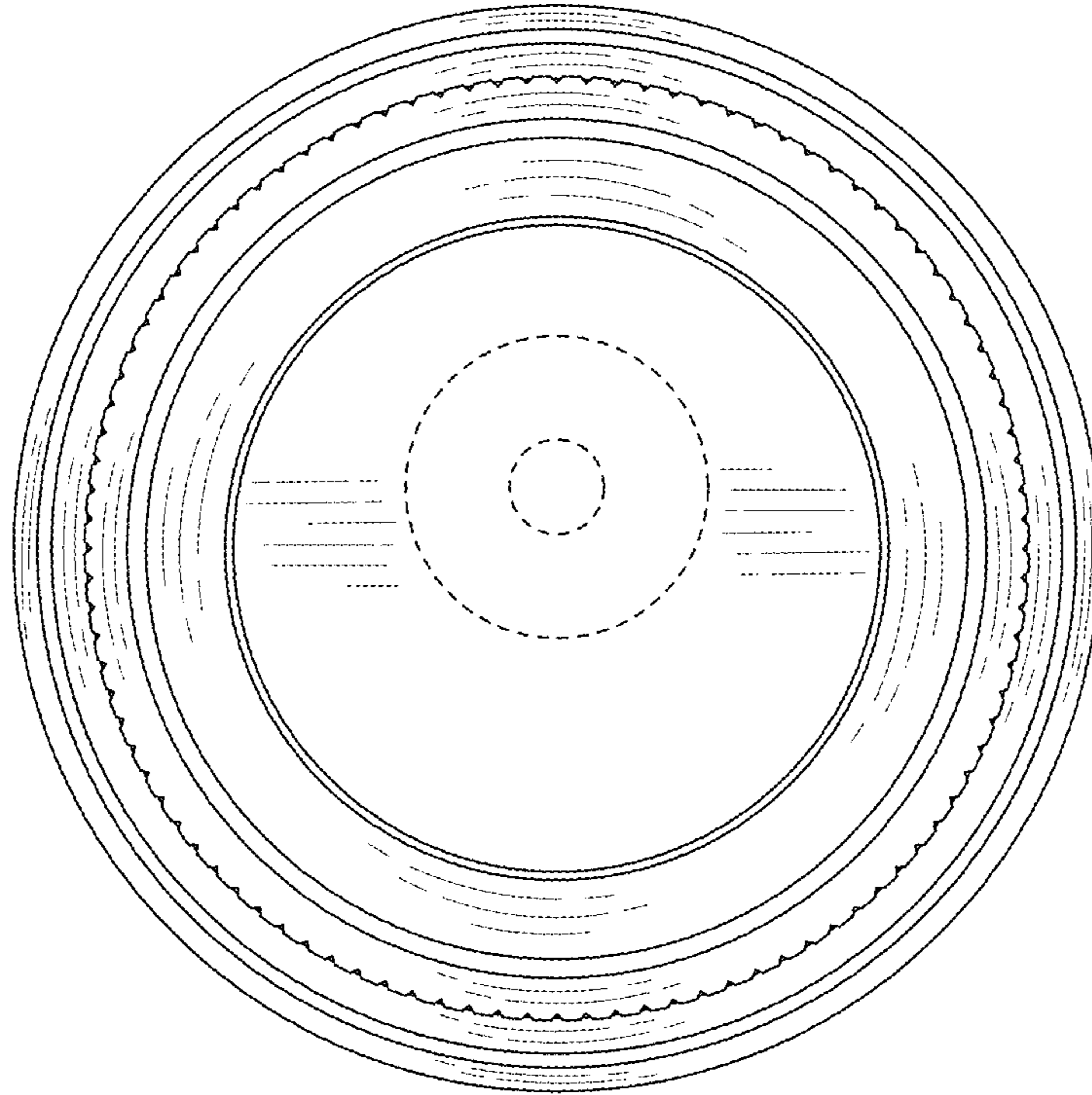


FIG. 7



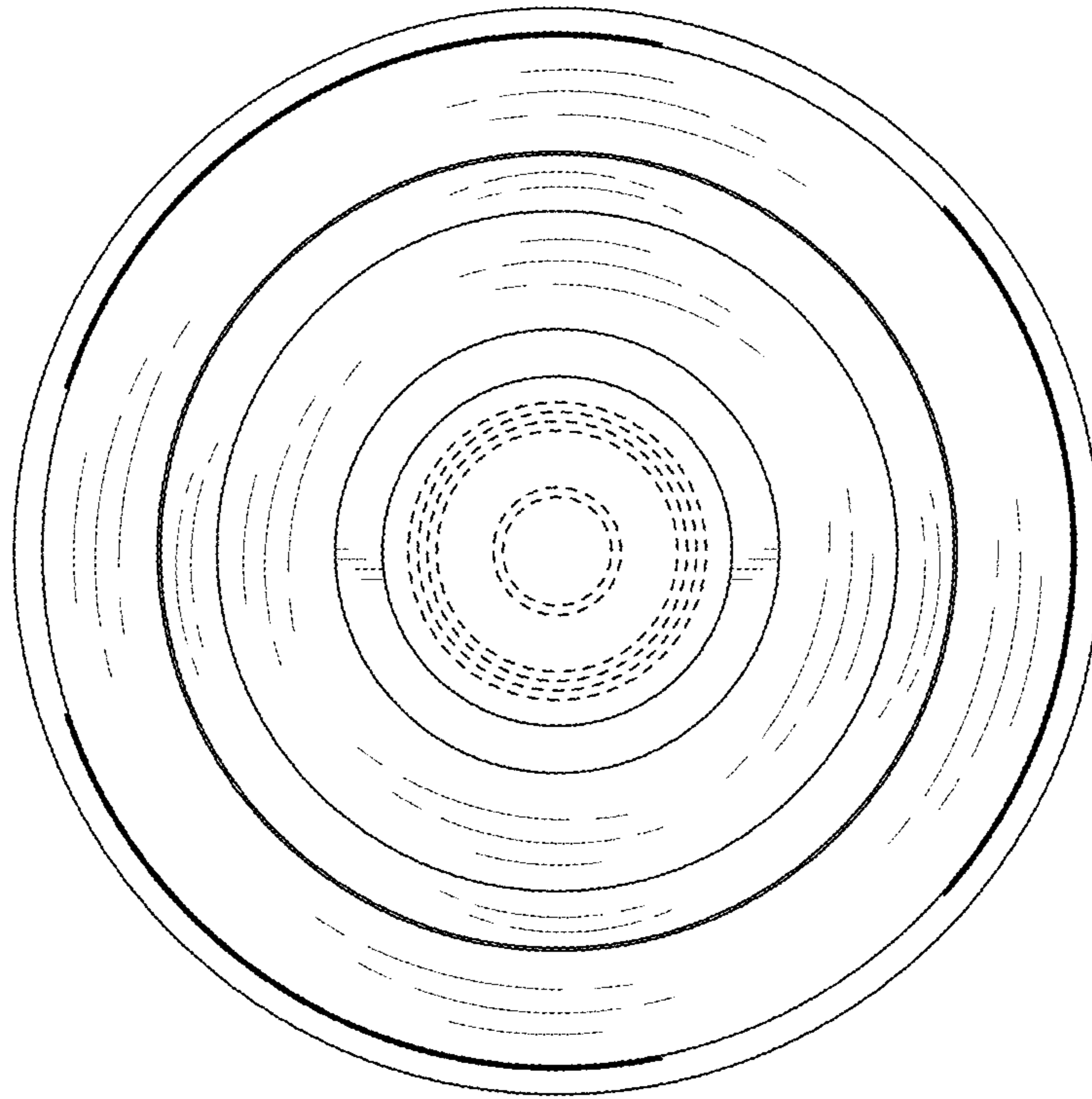


FIG. 8

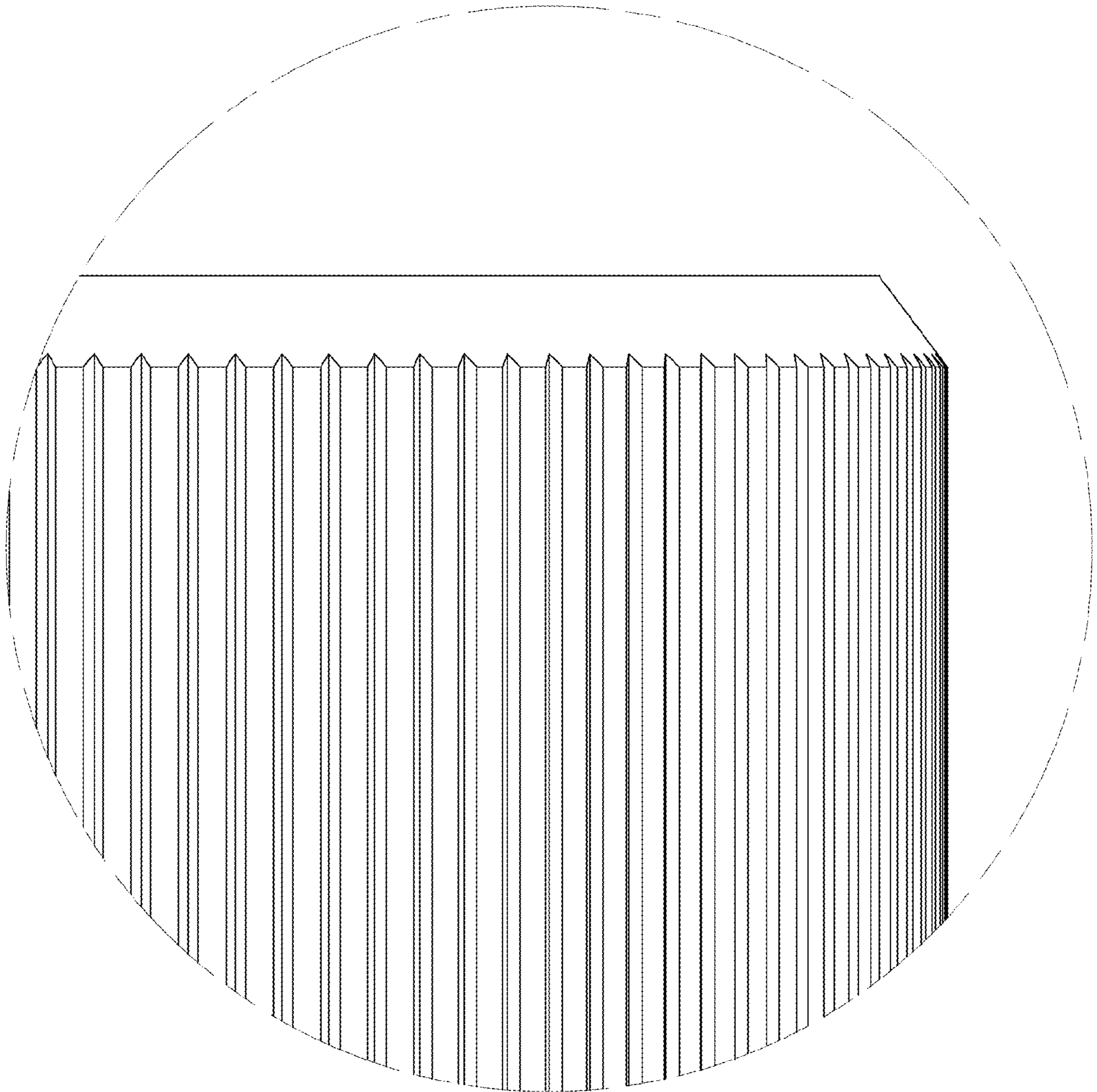


FIG. 9