



US00D952946S

(12) **United States Design Patent**
Khubani et al.

(10) **Patent No.:** **US D952,946 S**
(45) **Date of Patent:** **** May 24, 2022**

- (54) **HAIR REMOVAL DEVICE**
- (71) Applicant: **Church & Dwight Co., Inc.**, Princeton, NJ (US)
- (72) Inventors: **Anand Khubani**, Morristown, NJ (US); **Eric Langberg**, Milford, PA (US); **Aaron Szymanski**, Thomaston, CT (US); **LoriAnn Lombardo**, East Hanover, NJ (US)
- (73) Assignee: **Church & Dwight Co., Inc.**, Princeton, NJ (US)
- (**) Term: **15 Years**
- (21) Appl. No.: **29/719,309**
- (22) Filed: **Jan. 2, 2020**

Related U.S. Application Data

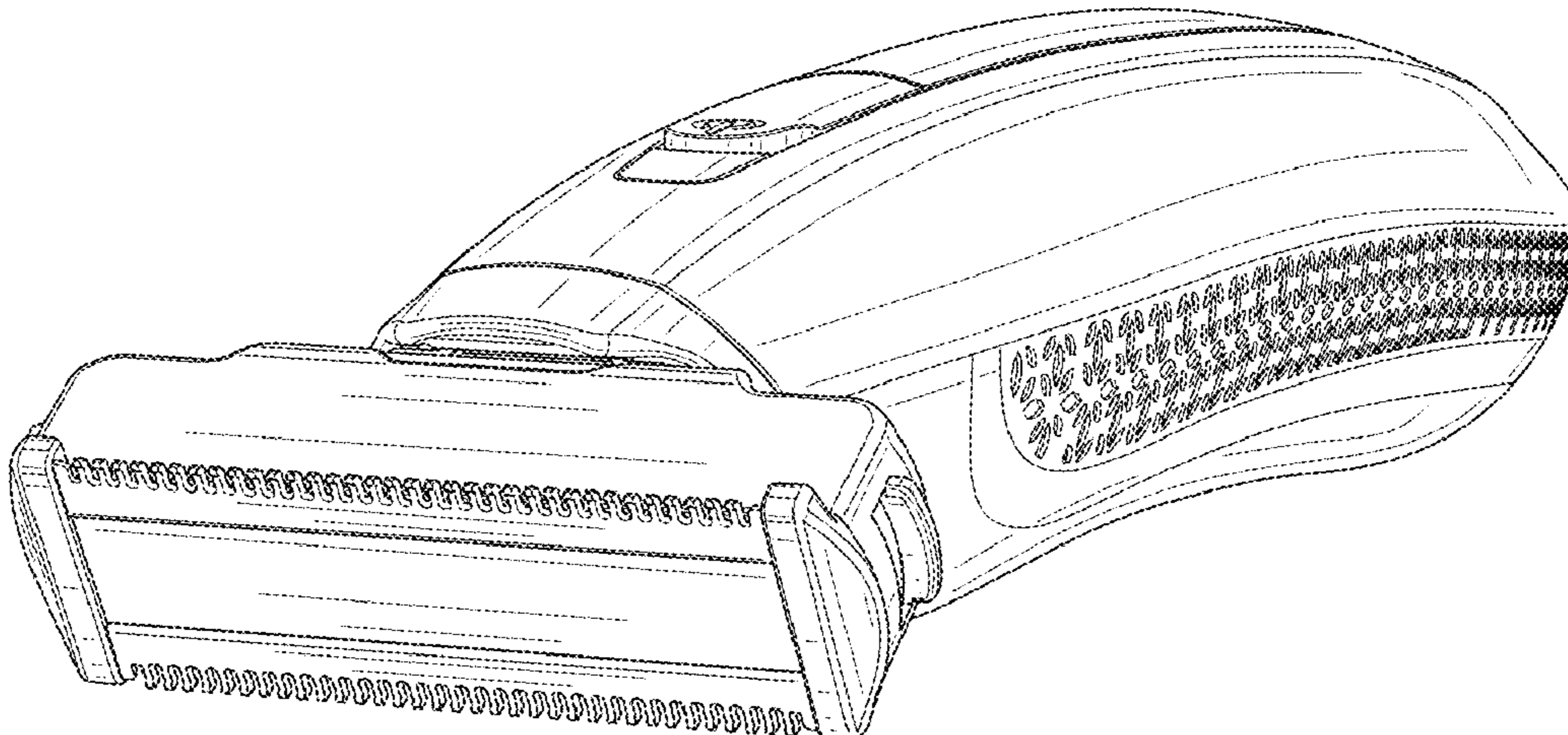
- (63) Continuation-in-part of application No. 29/651,665, filed on Dec. 6, 2018, now Pat. No. Des. 873,490, which is a continuation-in-part of application No. 29/620,951, filed on Sep. 1, 2017, now Pat. No. Des. 849,325.
- (51) **LOC (13) Cl.** **28-03**
- (52) **U.S. Cl.**
USPC **D28/51**
- (58) **Field of Classification Search**
USPC D28/49-54
CPC B26B 19/00-08; B26B 19/10-12; B26B 19/20-24; B26B 19/26-265; B26B 19/38-3826; B26B 19/3873-3893; B26B 19/42
See application file for complete search history.

(56) **References Cited**

U.S. PATENT DOCUMENTS

1,506,139 A 8/1924 Severson
 1,997,096 A 4/1935 Andis
 2,067,075 A 1/1937 Clark
 2,102,529 A 12/1937 Hanley

2,141,582 A 12/1938 Wimberger
 2,151,965 A 3/1939 Hanley
 2,181,038 A 11/1939 Wimberger
 2,242,405 A 5/1941 Sussman
 2,251,577 A 8/1941 Rand, Jr.
 2,290,326 A 7/1942 Hanley
 2,323,655 A 7/1943 Hanley
 2,609,602 A 9/1952 Harshberger
 D175,141 S 7/1955 Andis
 3,144,714 A 8/1964 Beisma
 3,274,682 A 9/1966 Worthington
 3,279,056 A 10/1966 Andis
 3,290,774 A 12/1966 Schuessler
 D219,699 S * 1/1971 Poisson D28/46
 3,636,627 A 1/1972 Tiffin
 3,654,699 A 4/1972 Garcia
 3,675,324 A 7/1972 Yamada et al.
 D230,219 S * 1/1974 Glaberson D28/48
 4,037,322 A 7/1977 Bresler
 4,083,102 A 4/1978 Harshberger
 4,085,503 A 4/1978 Beck et al.
 4,348,810 A 9/1982 Oda et al.
 D276,562 S * 11/1984 Mizobata D28/49
 D286,454 S 10/1986 Stephens
 4,744,144 A 5/1988 Lowery, Sr. et al.
 4,813,133 A 3/1989 Locke et al.
 4,819,330 A 4/1989 Fenn et al.
 4,914,816 A 4/1990 Fenn et al.
 D311,971 S * 11/1990 Faerber D28/46
 5,007,169 A 4/1991 Motta
 D361,637 S * 8/1995 Miskin D28/47
 5,504,997 A 4/1996 Lee
 5,579,581 A 12/1996 Melton
 5,606,799 A 3/1997 Melton
 5,937,526 A 8/1999 Wahl et al.
 5,970,616 A 10/1999 Wahl et al.
 D437,661 S * 2/2001 Pinchuk D28/48
 D463,623 S 9/2002 Kling et al.
 6,481,104 B1 11/2002 Parker et al.
 6,502,312 B2 1/2003 Beutel et al.
 6,665,938 B2 12/2003 McCambridge et al.
 6,684,511 B2 2/2004 McCambridge et al.
 6,739,053 B2 5/2004 McCambridge et al.
 6,807,736 B2 10/2004 Langley
 D506,034 S * 6/2005 Cornelissen D28/46
 6,966,116 B2 11/2005 Peter et al.
 6,986,206 B2 1/2006 McCambridge et al.
 D519,678 S 4/2006 Butcher
 7,028,405 B2 4/2006 Paas et al.
 7,103,980 B2 9/2006 Leventhal
 D530,858 S 10/2006 Kling
 7,188,422 B2 3/2007 McCambridge et al.
 D559,456 S 1/2008 Melton et al.



US D952,946 S

7,325,311 B2	2/2008	Shimizu	2011/0016723 A1	1/2011	Maichel et al.
D565,793 S	4/2008	Wallace	2011/0061243 A1	3/2011	Smit
7,464,471 B2	12/2008	Fukutani et al.	2011/0214290 A1	9/2011	Micinilio et al.
D593,254 S *	5/2009	Tamsiran D28/51	2011/0225826 A1	9/2011	Leventhal
7,536,787 B2	5/2009	Blaustein et al.	2012/0103928 A1	5/2012	Jessemey et al.
7,536,789 B2	5/2009	Michel	2012/0151774 A1	6/2012	Shimizu et al.
D600,408 S	9/2009	Micinilio et al.	2012/0304467 A1	12/2012	Garden, Jr.
D604,908 S	11/2009	Kling	2013/0091709 A1	4/2013	Shimizu et al.
7,654,003 B2	2/2010	Simms et al.	2014/0317932 A1	10/2014	Van Straaten et al.
D617,497 S	6/2010	Goodhead	2015/0158192 A1	6/2015	Tucker et al.
D619,301 S	7/2010	Wattam et al.	2016/0059428 A1 *	3/2016	Lau B26B 19/10
D619,304 S	7/2010	Shen			30/30
D620,196 S	7/2010	Nicoll et al.	2016/0236363 A1	8/2016	Stapelbroek et al.
D629,159 S	12/2010	Yoon	2016/0271814 A1	9/2016	Bennik et al.
D646,438 S *	10/2011	Leventhal D28/51	2017/0008182 A1	1/2017	Tucker et al.
D649,712 S	11/2011	Pan et al.	2017/0144319 A1	5/2017	Sablatschan
8,061,041 B2	11/2011	Jessemey et al.	2017/0173804 A1 *	6/2017	Worth B26B 19/04
8,065,802 B2	11/2011	Oglesby et al.	2017/0190063 A1	7/2017	Schratter et al.
8,136,250 B2	3/2012	Floessholzer	2017/0361476 A1	12/2017	Phoon et al.
8,141,254 B2	3/2012	Shimizu	2018/0021965 A1	1/2018	Phoon et al.
D657,912 S	4/2012	Yoon	2018/0085948 A1	3/2018	Krauss et al.
D664,298 S	7/2012	Grabes et al.	2018/0085951 A1	3/2018	Krauss et al.
D675,378 S	1/2013	Boulanger	2018/0104834 A1	4/2018	Zuidervaart et al.
8,439,190 B2	5/2013	Michel	2018/0257248 A1	9/2018	Wu
8,458,908 B2	6/2013	Fischer et al.	2018/0326602 A1 *	11/2018	Khubani F21V 23/04
8,528,216 B2	9/2013	Melton et al.	2019/0176355 A1	6/2019	Mazarakis et al.
8,590,162 B2	11/2013	Park et al.	2019/0299453 A1	10/2019	Bourque et al.
D696,460 S	12/2013	Prat-Pfister et al.	2019/0299466 A1	10/2019	Goeder et al.
D696,461 S	12/2013	Prat-Pfister et al.	2019/0299473 A1	10/2019	Johnson et al.
D713,994 S	9/2014	Grabes et al.	2019/0299474 A1	10/2019	Bourque et al.
8,850,707 B2	10/2014	Maichel et al.	2019/0299477 A1	10/2019	Johnson et al.
D751,252 S	3/2016	Grabes et al.	2019/0315006 A1	10/2019	Park et al.
D753,879 S	4/2016	Andersson	2020/0016780 A1 *	1/2020	Khubani B26B 21/405
D754,399 S	4/2016	Andersson	2020/0039096 A1 *	2/2020	Khubani B26B 19/148
D754,400 S	4/2016	Andersson	2020/0061856 A1 *	2/2020	Musallam B26B 19/046
D756,565 S	5/2016	Andersson	2020/0094425 A1	3/2020	Iaccarino et al.
D758,016 S *	5/2016	Andersson D28/51	2020/0254638 A1 *	8/2020	Khubani B26B 19/3826
D758,661 S *	6/2016	Andersson D28/51	2020/0376695 A1	12/2020	Feijen et al.
D758,662 S *	6/2016	De Klein D28/51	2021/0023729 A1 *	1/2021	Langberg B26B 19/3873
9,381,655 B2	7/2016	Lau	2021/0129364 A1 *	5/2021	Langberg B26B 21/4031
9,393,707 B2	7/2016	Wevers et al.			
9,434,078 B2	9/2016	Julemont			
D776,878 S	1/2017	Andersson et al.			
D790,769 S	6/2017	Drori			
D791,410 S	7/2017	Whittaker et al.	CH	229244	10/1943
D805,691 S	12/2017	De Klein	CN	204263191	4/2015
D813,459 S	3/2018	Sinnott et al.	CN	205111905	3/2016
9,950,435 B2	4/2018	Binder	CN	206066504	4/2017
D818,196 S *	5/2018	Szymanski D28/46	CN	106808504	6/2017
D824,106 S *	7/2018	Teteak D28/53	CN	107088895	8/2017
D824,107 S *	7/2018	Teteak D28/53	CN	107186759	9/2017
D827,933 S *	9/2018	Teteak D28/53	CN	304276517	9/2017
D828,627 S *	9/2018	Szymanski D28/51	CN	206633052	11/2017
10,081,114 B2	9/2018	Sablatschan	CN	304428668	12/2017
D836,247 S *	12/2018	Van Maanen D28/44.1	CN	206869919	1/2018
D849,325 S *	5/2019	Szymanski D28/51	CN	206869923	1/2018
10,377,049 B2	8/2019	Whittaker et al.	CN	206913195	1/2018
10,406,702 B2	9/2019	Vredeveld et al.	CN	304561859	3/2018
10,421,203 B2	9/2019	Perez Lopez et al.	CN	304561861	3/2018
10,434,670 B2	10/2019	Lev	CN	207273272	4/2018
10,449,682 B2	10/2019	Eijkelkamp et al.	CN	207402820	5/2018
10,486,316 B2	11/2019	Erndt et al.	CN	304777729 S	8/2018
D873,490 S *	1/2020	Khubani D28/51	CN	207824944	9/2018
D881,471 S	4/2020	Zhang	CN	208051971	11/2018
D884,973 S *	5/2020	Khubani D28/51	CN	208246876	12/2018
D891,696 S	7/2020	Van Maanen et al.	CN	109366531	2/2019
D912,322 S	3/2021	Cociffi et al.	CN	109822627	5/2019
D912,898 S	3/2021	Kling et al.	CN	208812155	5/2019
D914,977 S *	3/2021	Szymanski D28/51	CN	104647417	6/2019
D914,978 S *	3/2021	Langberg D28/51	CN	109866258	6/2019
D921,293 S *	6/2021	Langberg D28/47	CN	209175783	7/2019
D921,295 S *	6/2021	Khubani D28/50	CN	110091364	8/2019
D925,830 S *	7/2021	Szymanski D28/54	CN	110154093	8/2019
D935,095 S *	11/2021	Langberg D28/47	CN	110154094	8/2019
D936,899 S *	11/2021	Langberg D28/51	CN	305368569	9/2019
D936,900 S *	11/2021	Langberg D28/51	CN	305377844	10/2019
11,179,861 B2 *	11/2021	Khubani B26B 19/3846	CN	305377845	10/2019
2007/0214653 A1	9/2007	Worgull et al.	CN	305394347	10/2019
2010/0299930 A1	12/2010	Voorhorst et al.	CN	306192768	11/2020
			DE	20 2013 103 187 U1	9/2013

FOREIGN PATENT DOCUMENTS

DE	20 2016 100 9	3/2016
EM	006276119-0001	3/2019
EM	006542189-0001	9/2019
EM	006542619-0001	9/2019
EM	007798319-0006	9/2020
EM	008285407-0001	12/2020
EP	1 763 422	11/2007
EP	1 644 162	5/2008
EP	1 732 736	12/2008
EP	1 866 129	11/2009
EP	1 963 057	3/2011
EP	1 536 928	1/2012
EP	2 450 161	5/2012
EP	2 227 359	2/2013
EP	2 875 916	5/2015
EP	2 804 723	4/2016
EP	2 747 958	9/2016
EP	2 747 962	9/2016
EP	3 071 375	9/2016
EP	3 046 736	3/2017
EP	3 049 219	3/2017
EP	3 052 281	5/2017
EP	3 052 278	3/2018
EP	3 131 711	3/2018
EP	3 131 715	3/2018
EP	3 071 376	5/2018
EP	3 131 713	6/2018
EP	3 131 714	6/2018
EP	3 131 716	6/2018
EP	3 142 834	7/2018
EP	3 240 658	8/2018
EP	3 388 207	10/2018
EP	3 388 208	10/2018
EP	3 388 209	10/2018
EP	3 409 432	12/2018
EP	3 415 288	12/2018
EP	2 857 154	2/2019
EP	3 052 279	2/2019
EP	3 052 280	3/2019
EP	3450119	3/2019
EP	3 461 602	4/2019
EP	3 466 619	4/2019
EP	3 052 277	5/2019
EP	3 164 249	5/2019
EP	3 131 712	6/2019
EP	3 071 374	8/2019
EP	3 288 727	9/2019
EP	3 194 125	11/2019
EP	3 261 810	4/2020
EP	3 297 797	4/2020
GB	9008285407-0002	11/2020
JP	H06-154435	6/1994
JP	H09-253353	9/1997
JP	D1601618	4/2018
JP	D1642657	9/2019
JP	D1679398	2/2021
KR	3010982000006	4/2021
WO	WO 2009/081301	7/2009
WO	WO 2013/072840	5/2013
WO	WO 2013/150412	10/2013
WO	WO 2013/160798	10/2013
WO	WO 2015/049203	4/2015
WO	WO 2015/074853	5/2015
WO	WO 2015/074882	5/2015
WO	WO 2015/075159	5/2015
WO	WO 2015/075160	5/2015
WO	WO 2015/158571	10/2015
WO	WO 2015/158572	10/2015
WO	WO 2015/158923	10/2015
WO	WO 2016/041796	3/2016
WO	WO 2016/042158	3/2016
WO	WO 2018/068353	4/2018

WO	WO 2018/157113	8/2018
WO	WO 2018/227319	12/2018
WO	WO 2019/018104	1/2019
WO	WO 2019/110335	6/2019

OTHER PUBLICATIONS

<https://www.youtube.com/watch?v=JOTLCjiK5Eo> Finishing touch Flawless Body Commercial, www.youtube.com, posted Apr. 16, 2019, 1 page.*
 Replacement Shaver Comb for Solo Micro, www.amazon.com, 1 page, reviewed as early as Oct. 2019 (Year: 2019).
<https://www.ulta.com/flawless-nu-razor?productid=pimprod2017011> Flawless Nu Razor, www.ulta.com, 1 page, reviewed as early as 6, 2020 (Year: 2020).
 Finishing Touch Flawless Nu Razor Portable Cordless Rechargeable Electric Razor [online], [site visited Jun. 2, 2021], Available from internet, URL: <https://www.amazon.com/Finishing-Touch-Flawless/dp/B087VB3OOP> (Year: 2020).
 NOAA Cordless Rechargeable Hair Trimmer [online], [site visited Jun. 2, 2021], Available from Internet, URL: <https://www.amazon.com/dp/B083DST87X> (Year: 2020).

* cited by examiner

Primary Examiner — Jennifer Rivard
 (74) *Attorney, Agent, or Firm* — Womble Bond Dickinson (US) LLP

(57) CLAIM

The ornamental design for a hair removal device, as shown and described.

DESCRIPTION

FIG. 1 is a front perspective view of a first embodiment of a hair removal device of the present invention showing our new design;
 FIG. 2 is a front elevation view thereof;
 FIG. 3 is a back elevation view thereof;
 FIG. 4 is a side elevation view thereof;
 FIG. 5 is a top plan view thereof;
 FIG. 6 is a bottom plan view thereof;
 FIG. 7 is a front perspective view of a second embodiment of a hair removal device of the present invention showing our new design;
 FIG. 8 is a front elevation view thereof;
 FIG. 9 is a back elevation view thereof;
 FIG. 10 is a side elevation view thereof;
 FIG. 11 is a top plan view thereof;
 FIG. 12 is a bottom plan view thereof;
 FIG. 13 is a front perspective view of a third embodiment of a hair removal device of the present invention showing our new design;
 FIG. 14 is a front elevation view thereof;
 FIG. 15 is a back elevation view thereof;
 FIG. 16 is a side elevation view thereof;
 FIG. 17 is a top plan view thereof; and,
 FIG. 18 is a bottom plan view thereof.
 The broken lines illustrate portions of the hair removal device that form no part of the claimed design.

1 Claim, 15 Drawing Sheets

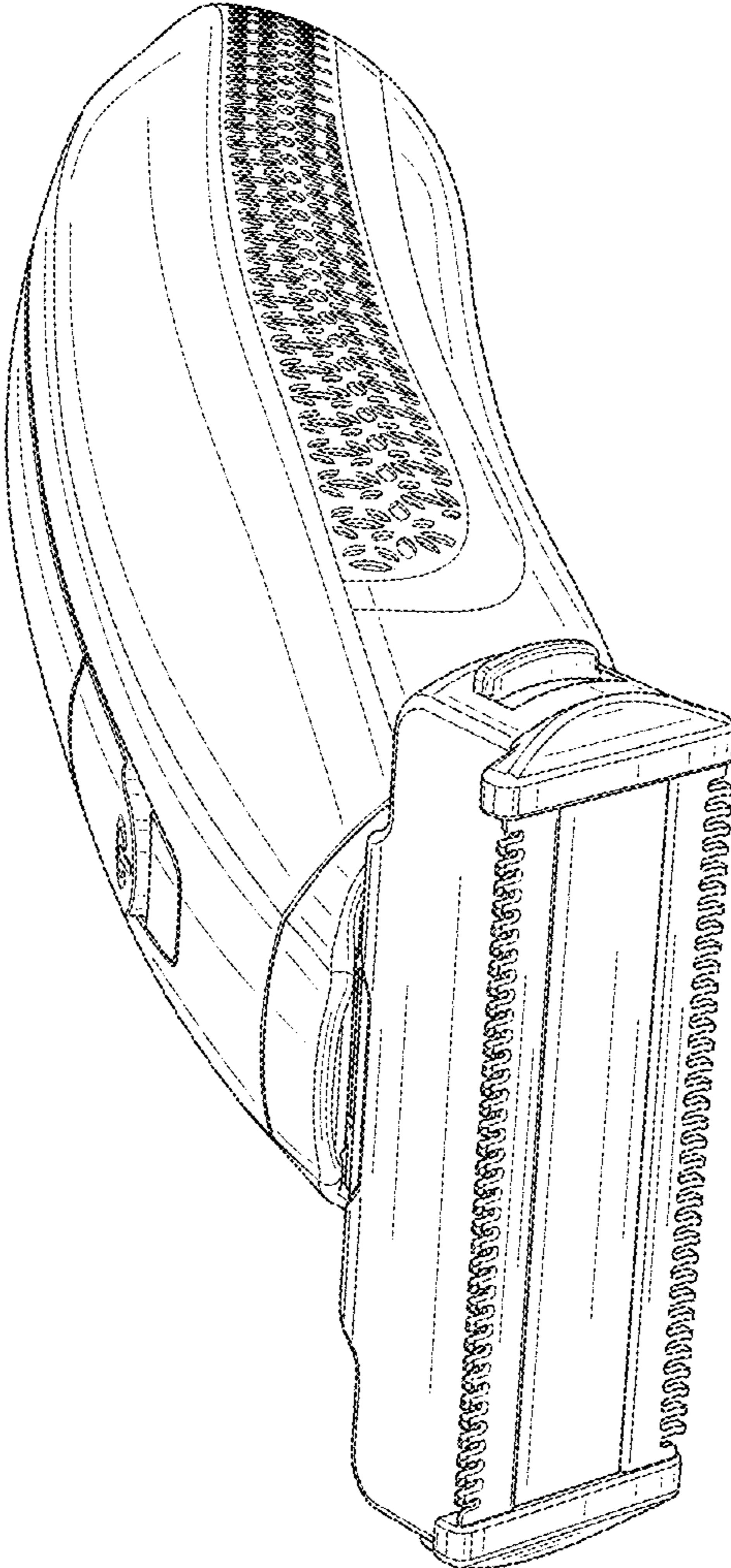


FIG. 1

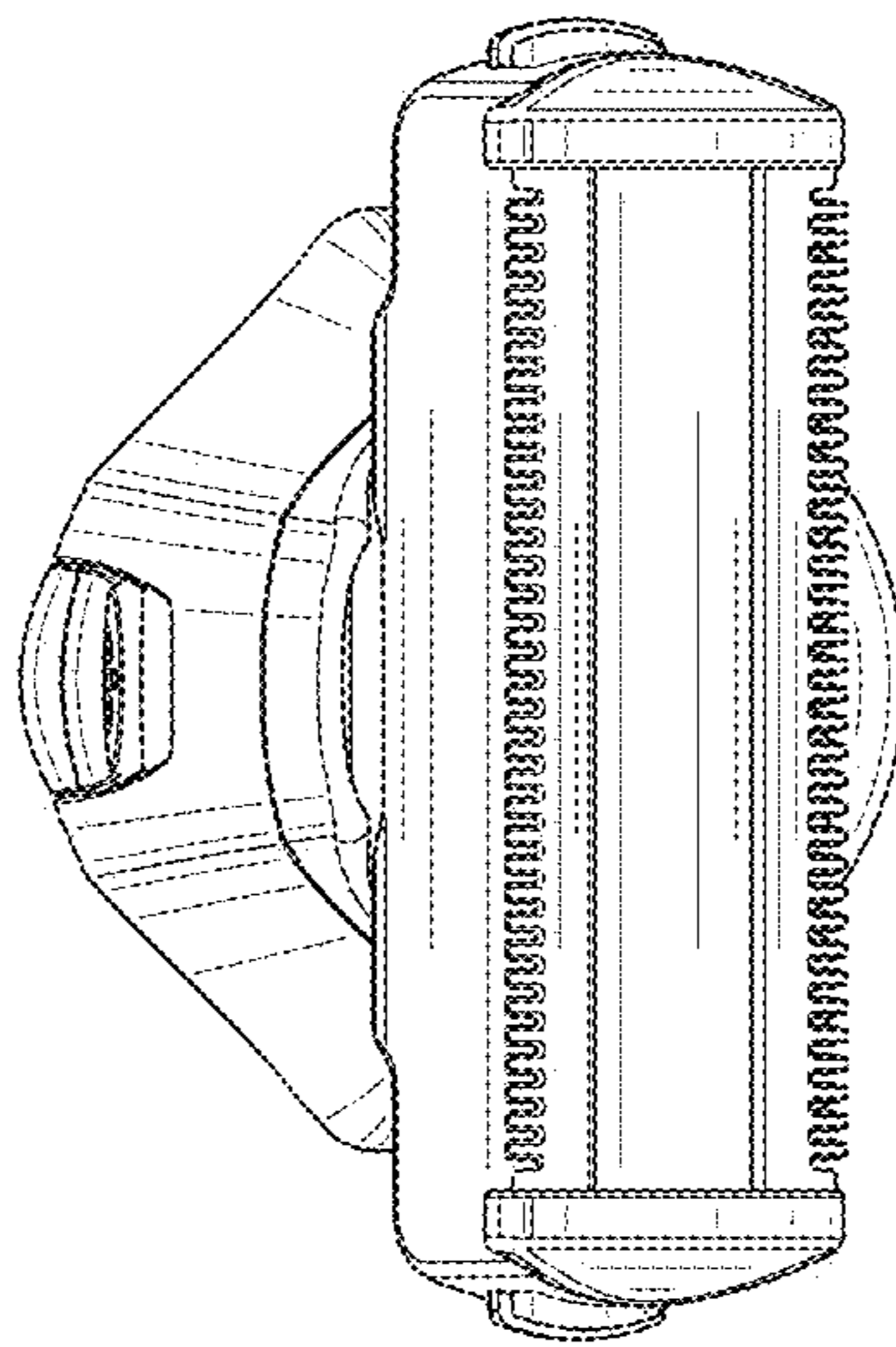


FIG. 2

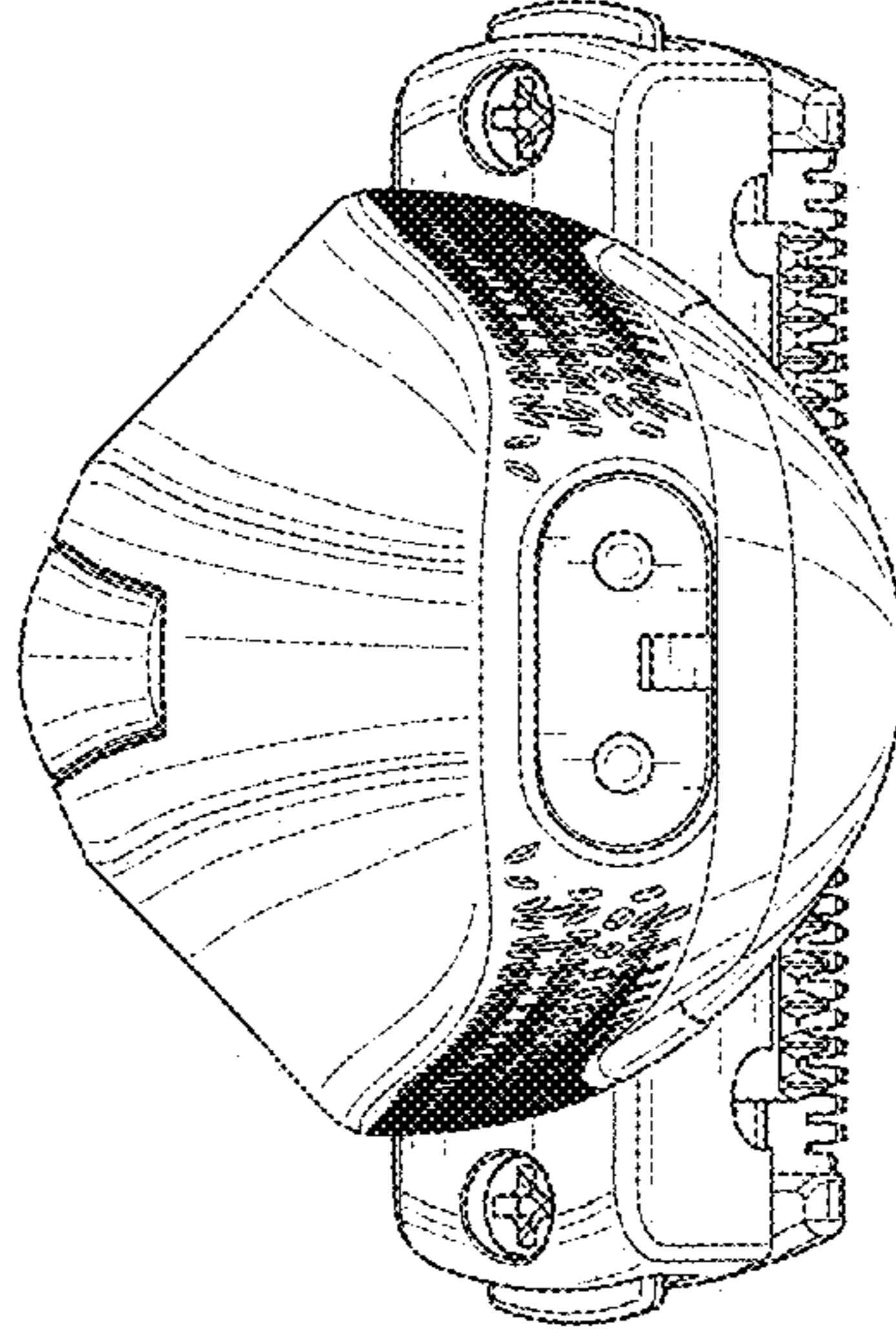


FIG. 3

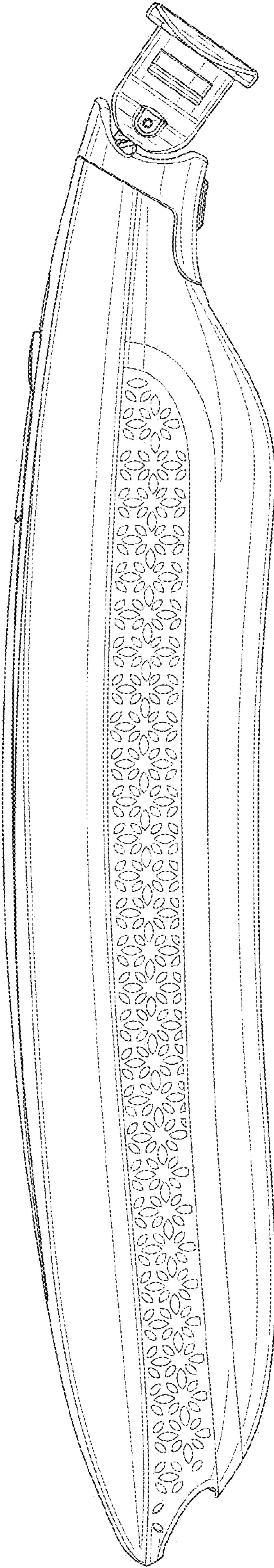


FIG. 4

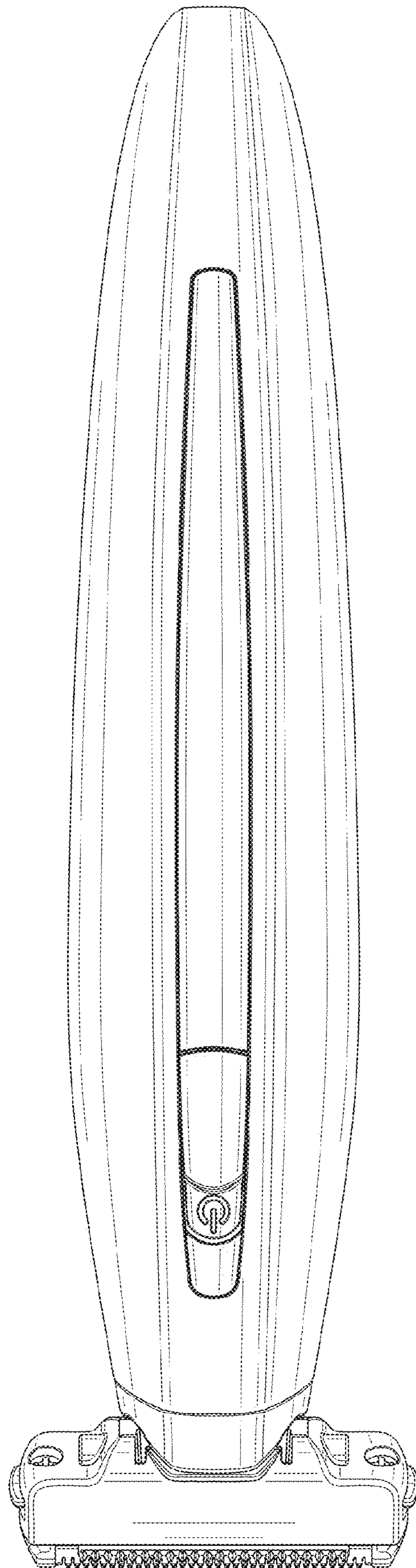


FIG. 5

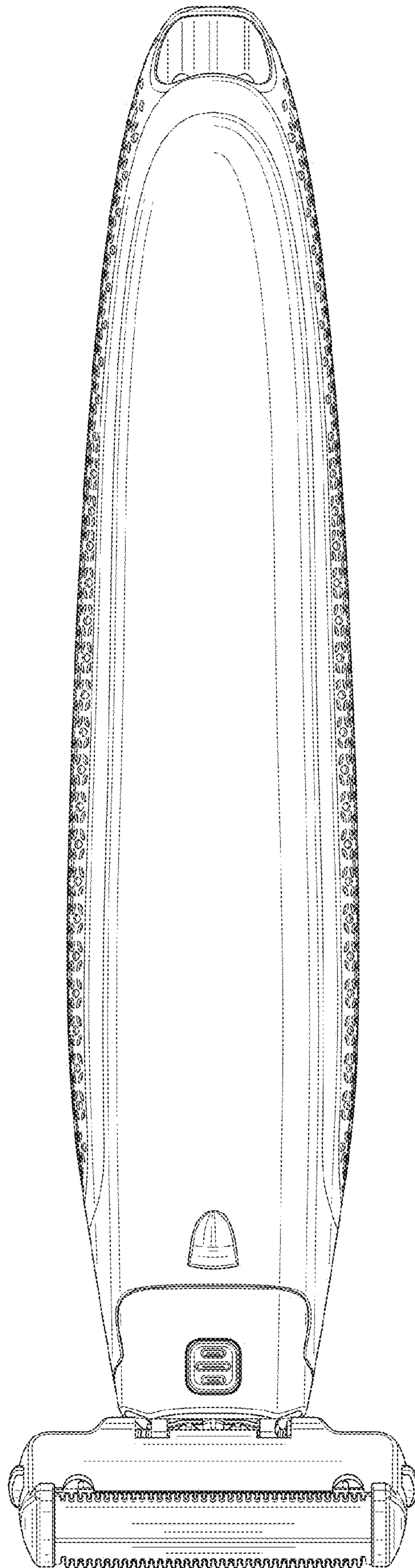


FIG. 6

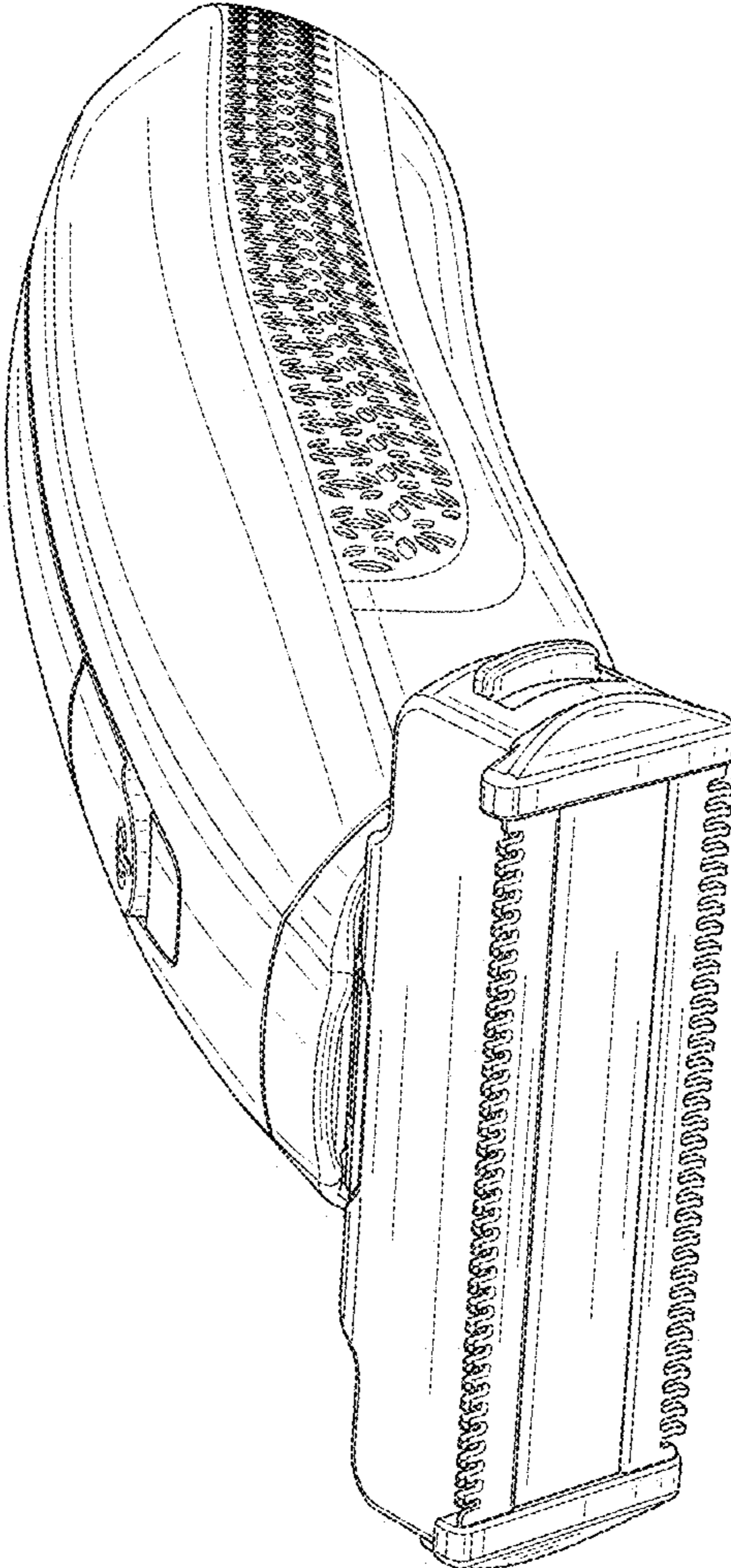


FIG. 7

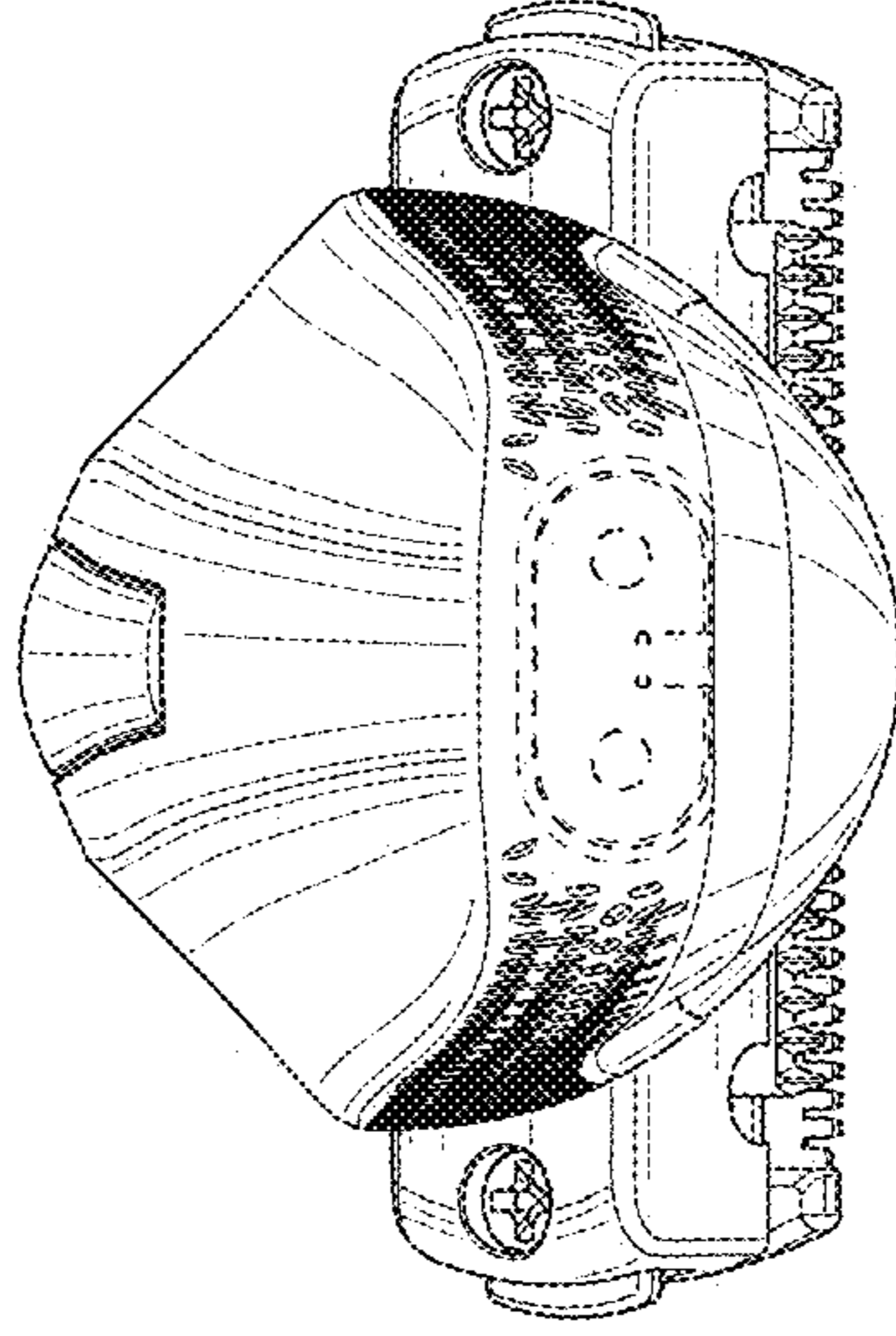


FIG. 8

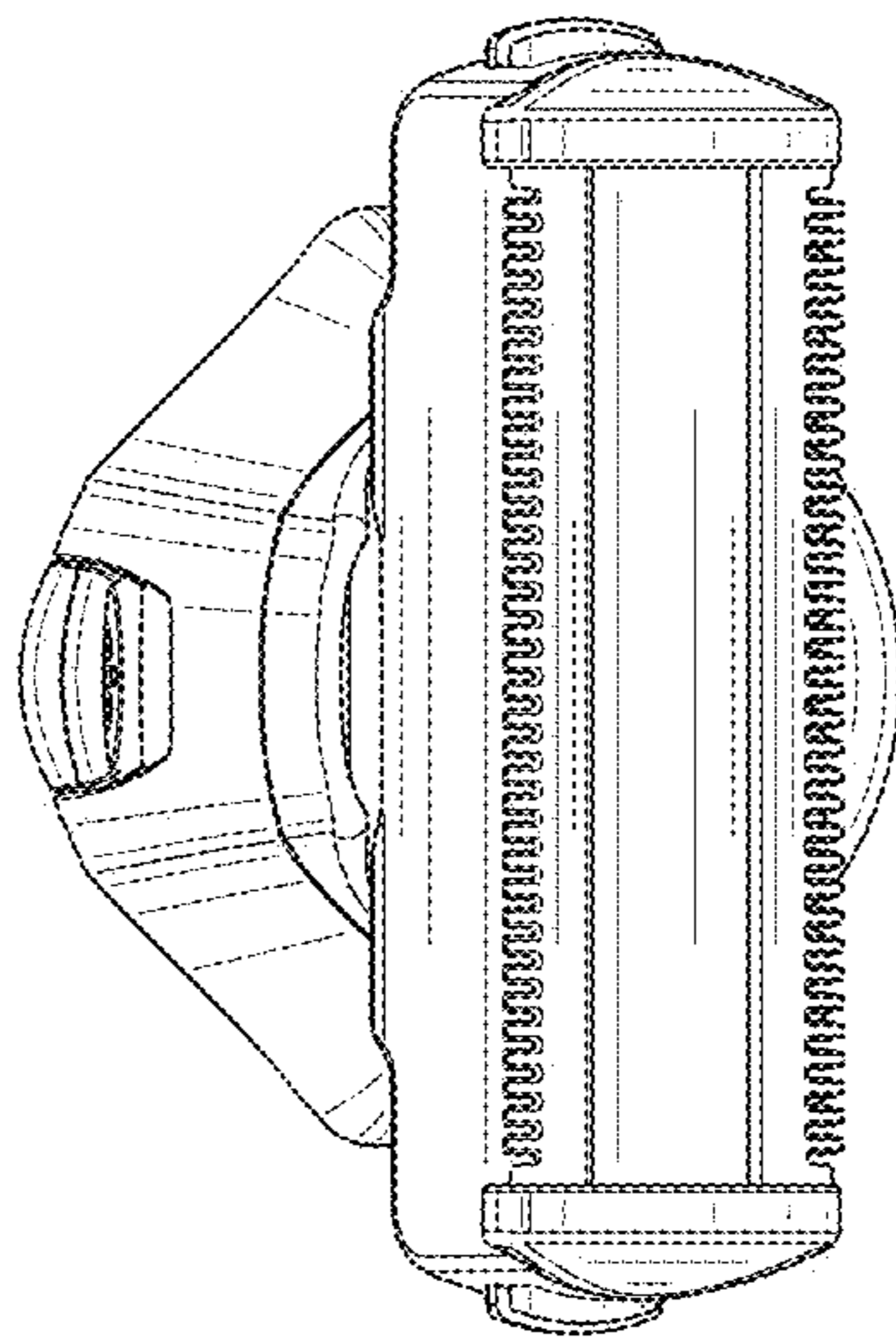


FIG. 9

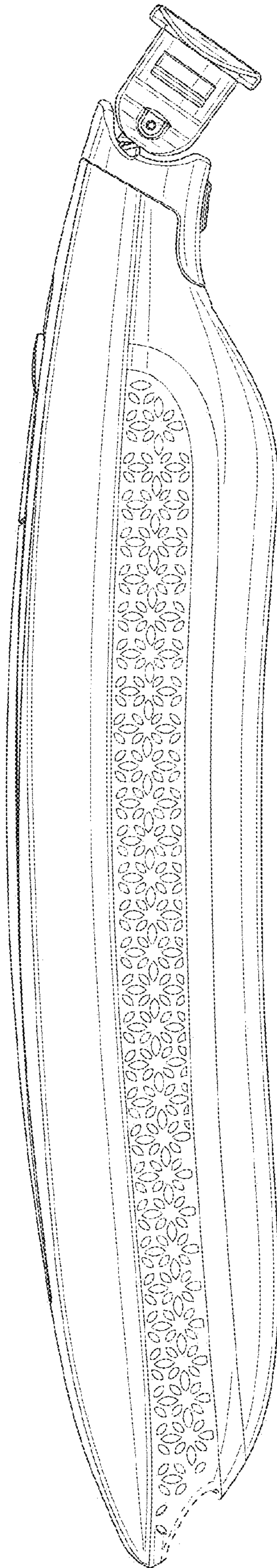


FIG. 10

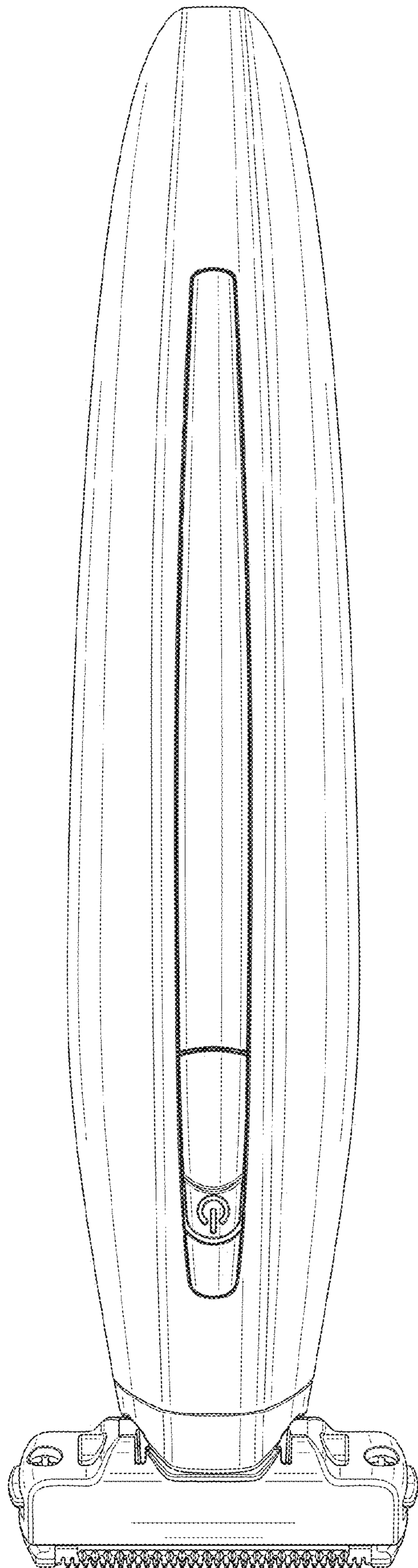


FIG. 11

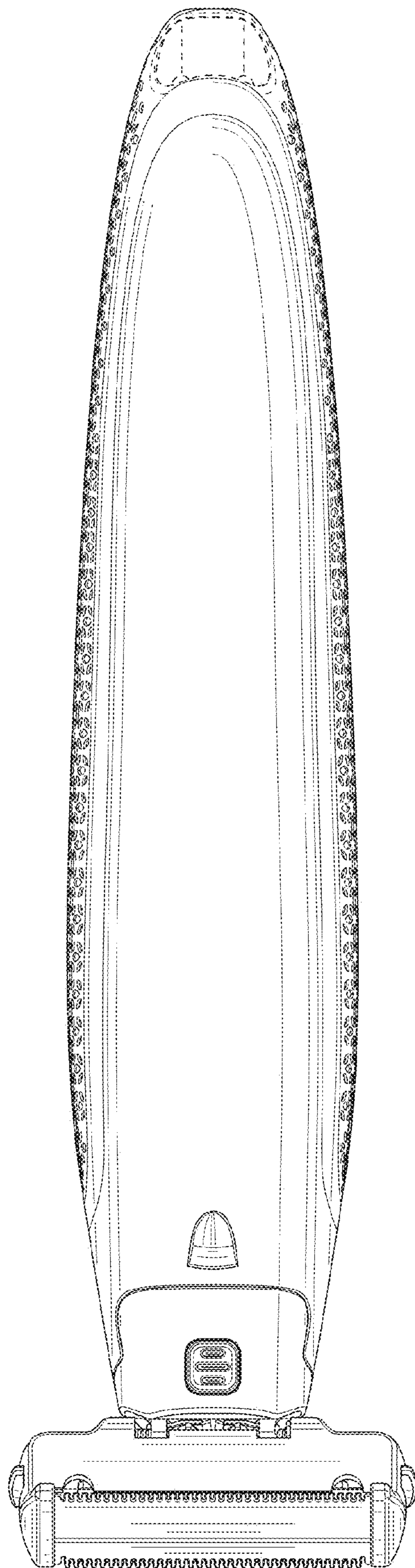


FIG. 12

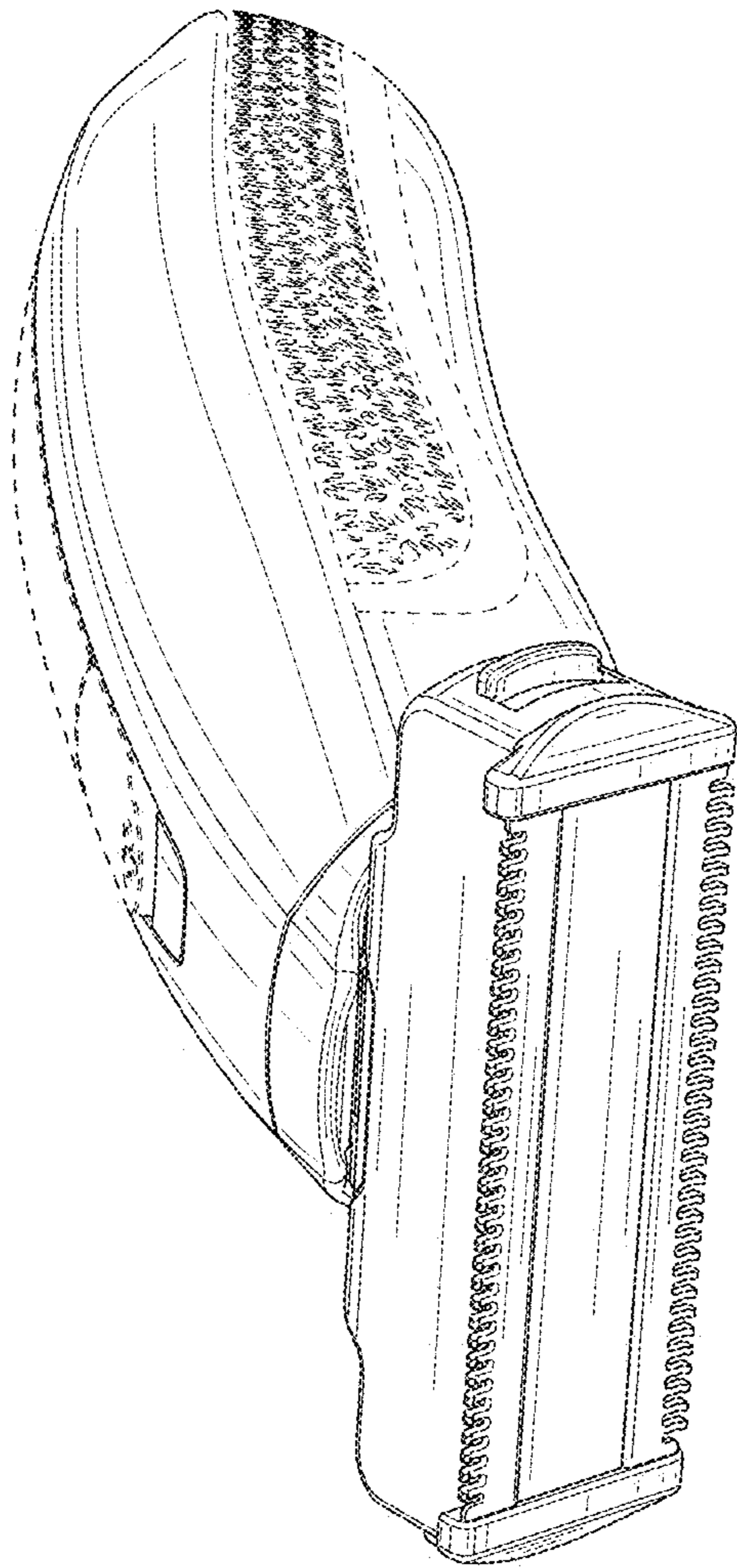


FIG. 13

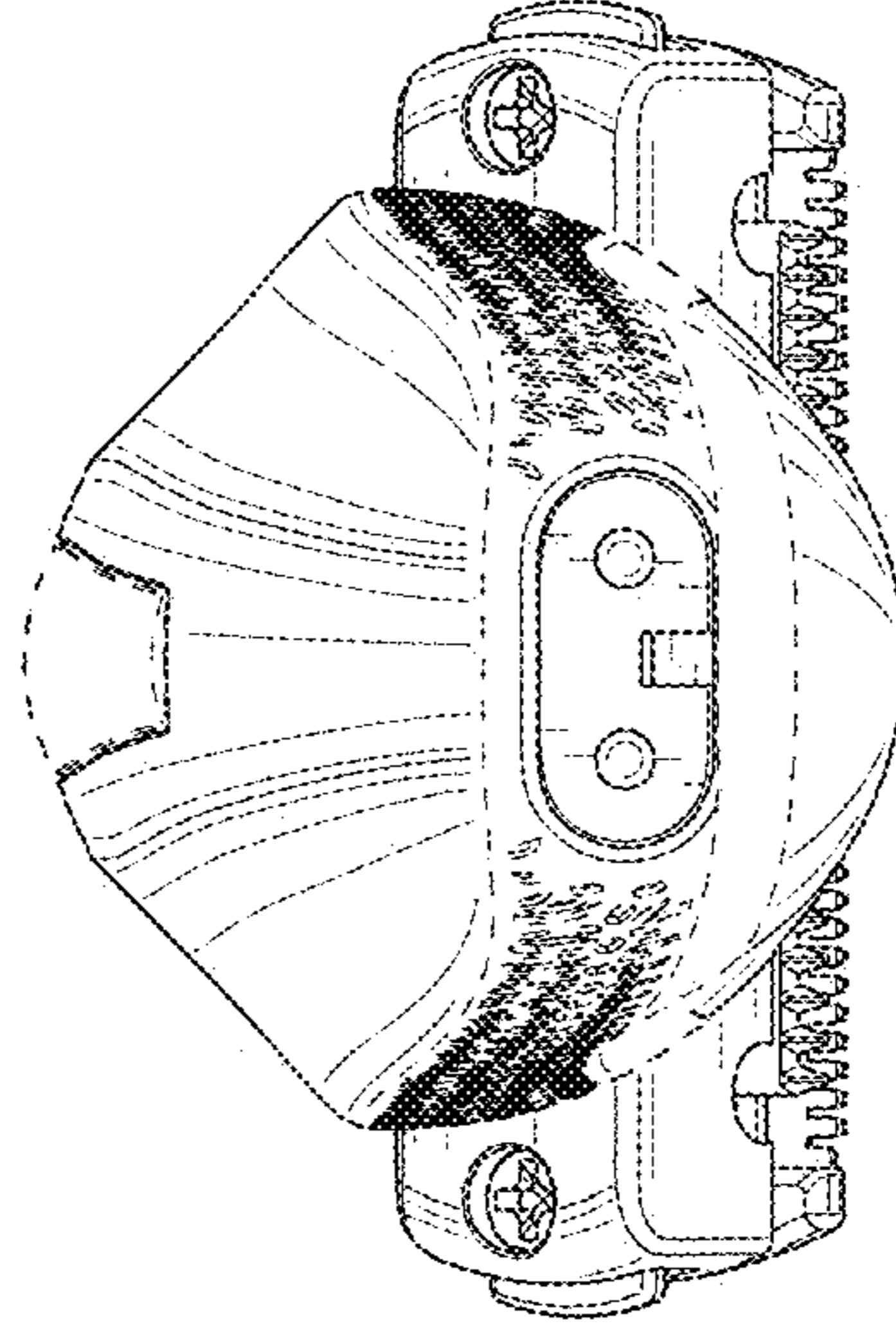


FIG. 15

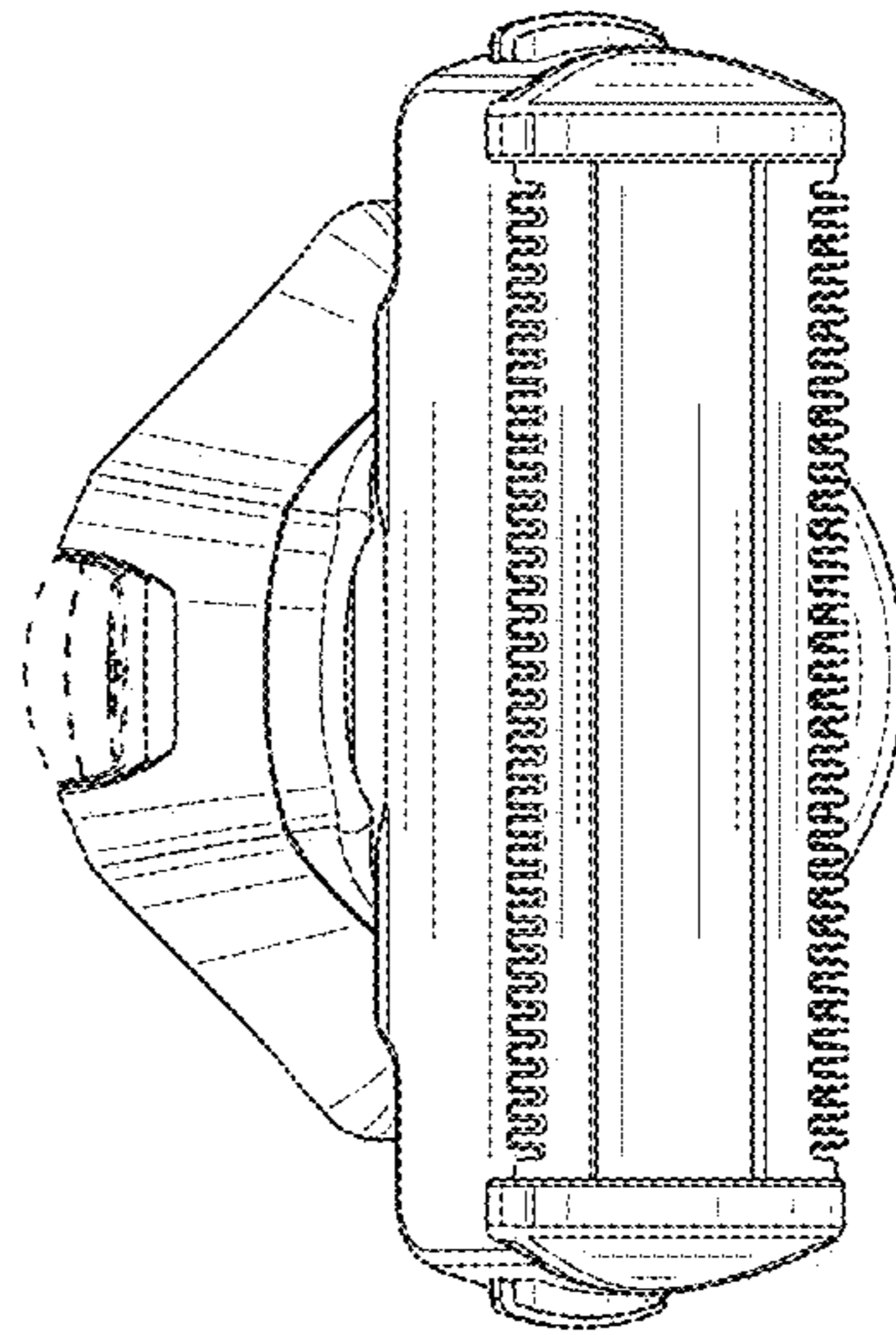


FIG. 14

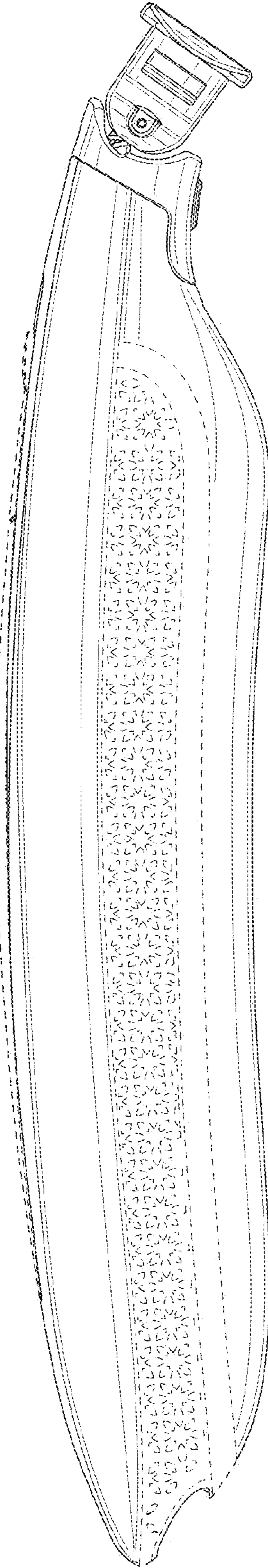


FIG. 16

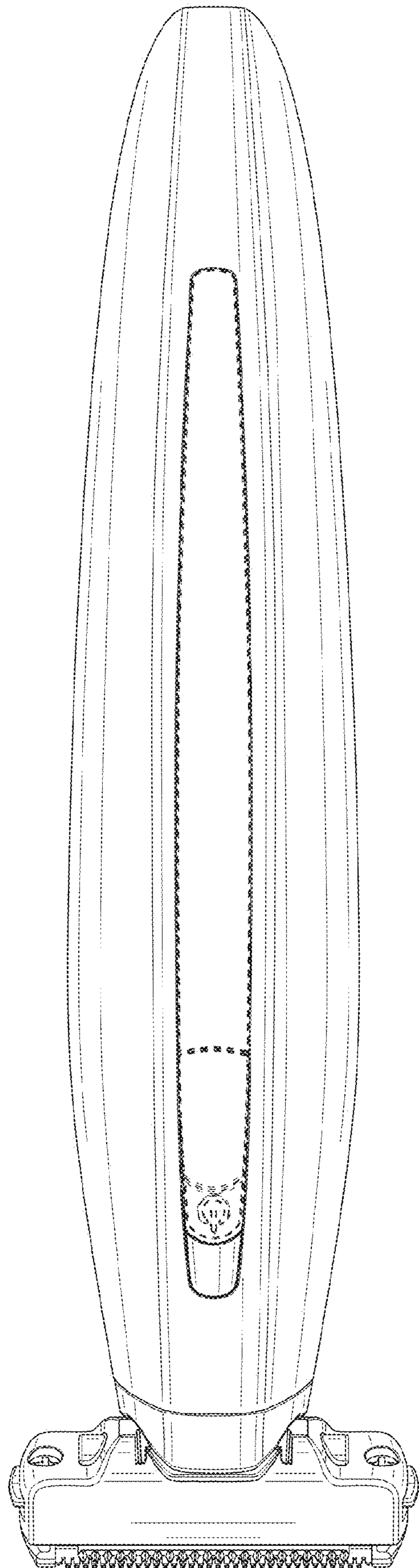


FIG. 17

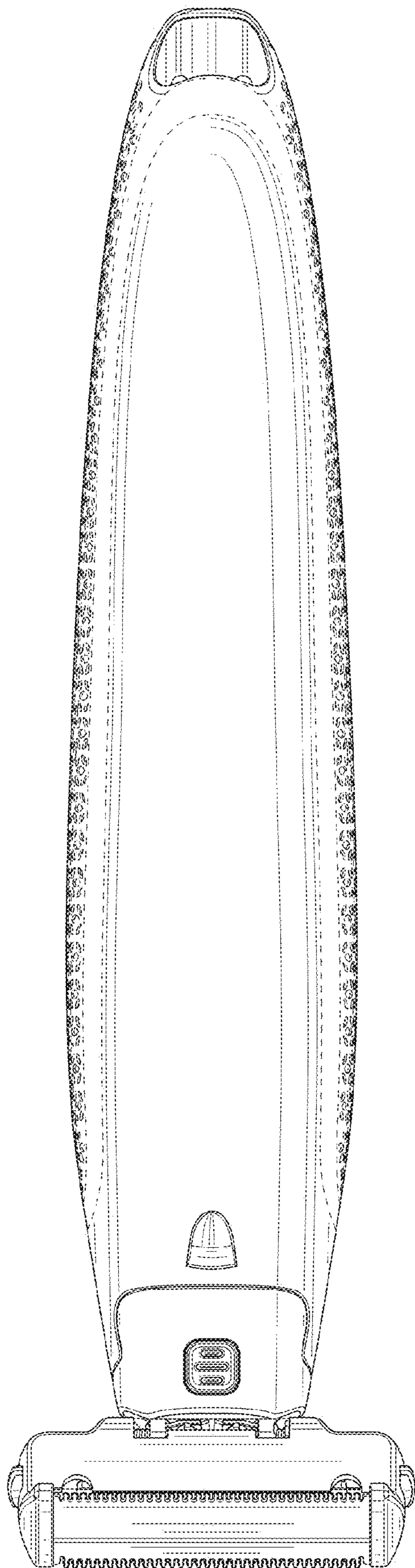


FIG. 18