



US00D952942S

(12) **United States Design Patent** (10) **Patent No.:** **US D952,942 S**  
**de Belizal** (45) **Date of Patent:** **\*\* May 24, 2022**

(54) **IRON FOR HAIRCURLING APPARATUS**

(71) Applicant: **BABYLISS FACO SRL**, Wandre (BE)

(72) Inventor: **Charles de Gouzillon de Belizal**,  
Herstal (BE)

(73) Assignee: **BABYLISS FACO SRL**, Wandre (BE)

(\*\*) Term: **15 Years**

(21) Appl. No.: **35/510,952**

(22) Filed: **Dec. 3, 2020**

(80) **Hague Agreement Data**

Int. Filing Date: **Dec. 3, 2020**

Int. Reg. No.: **DM/211596**

Int. Reg. Date: **Dec. 3, 2020**

Int. Reg. Pub. Date: **Dec. 18, 2020**

(51) **LOC (13) Cl.** ..... **28-03**

(52) **U.S. Cl.**  
USPC ..... **D28/35**

(58) **Field of Classification Search**  
USPC ..... D28/10, 35, 37, 38; D9/503, 529, 556,  
D9/682, 686, 687, 689, 693, 674, 727,  
D9/745

CPC ..... A45D 34/04; A45D 40/04; A45D 44/005;  
A45D 2034/005; A45D 2044/007; A45D  
2200/155; A45D 40/26; A45D 40/265;  
A45D 2200/25; A45D 34/041; A45D  
40/06; A45D 40/065; A45D 40/24; A45D  
2040/0012; A45D 2040/0025; A45D  
2040/0062; A45D 2200/05; A45D 29/00;  
A45D 34/045; A45D 34/046; A45D  
40/00; A45D 40/262; A45D 44/00; A45D  
2029/008; A45D 2034/002; A45D  
2040/0006; A45D 2040/208; A45D  
2200/051; A45D 2200/053; A45D  
2200/055; A45D 2200/057; A45D  
2200/10; A45D 2200/1054; A45D  
2200/15; A45D 2200/20; A45D 2200/202;

A45D 2200/205; A45D 29/007; A45D  
29/06; A45D 29/14; A45D 29/20; A45D  
29/22; A45D 33/00; A45D 33/006; A45D  
33/02; A45D 33/18; A45D 33/24; A45D  
34/00; A45D 34/042; A45D 40/0068;  
A45D 40/023; A45D 40/267; A45D  
40/28; A45D 44/002

See application file for complete search history.

(56) **References Cited**

U.S. PATENT DOCUMENTS

D833,070	S	*	11/2018	Chandra	.....	D28/35
D876,014	S	*	2/2020	Lin	.....	D28/35
D886,374	S	*	6/2020	Hein	.....	D28/35
D901,076	S	*	11/2020	Kim	.....	D28/35
D901,077	S	*	11/2020	Kim	.....	D28/35
D908,284	S	*	1/2021	Chandra	.....	D28/35
D919,885	S	*	5/2021	Liang	.....	D28/24
D919,886	S	*	5/2021	Wang	.....	D28/35
D924,484	S	*	7/2021	Cooper	.....	D28/35

\* cited by examiner

*Primary Examiner* — Khawaja Anwar

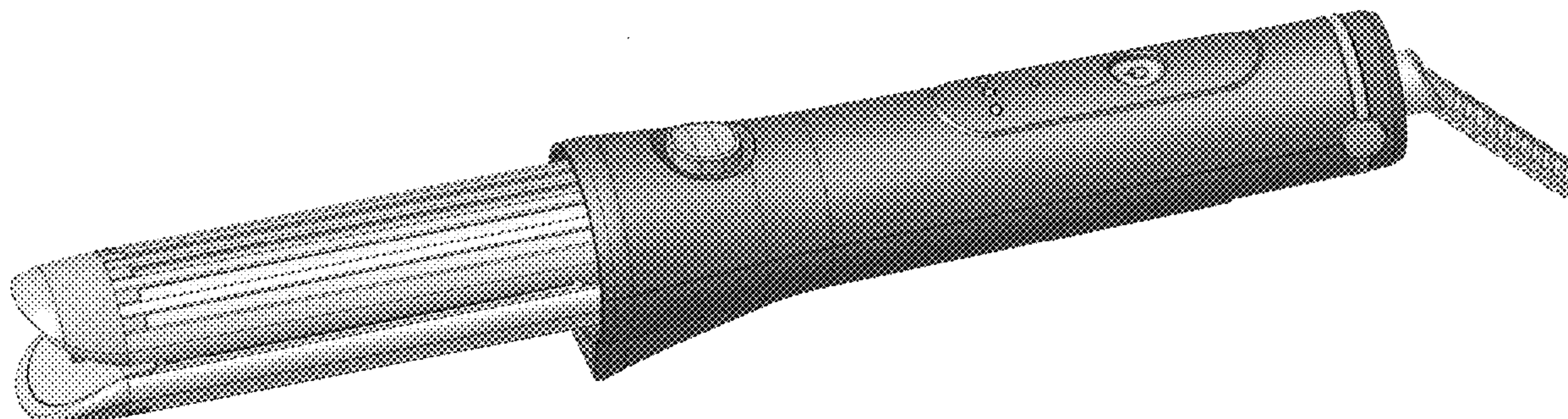
(57) **CLAIM**

The ornamental design for an iron for haircurling apparatus,  
as shown and described.

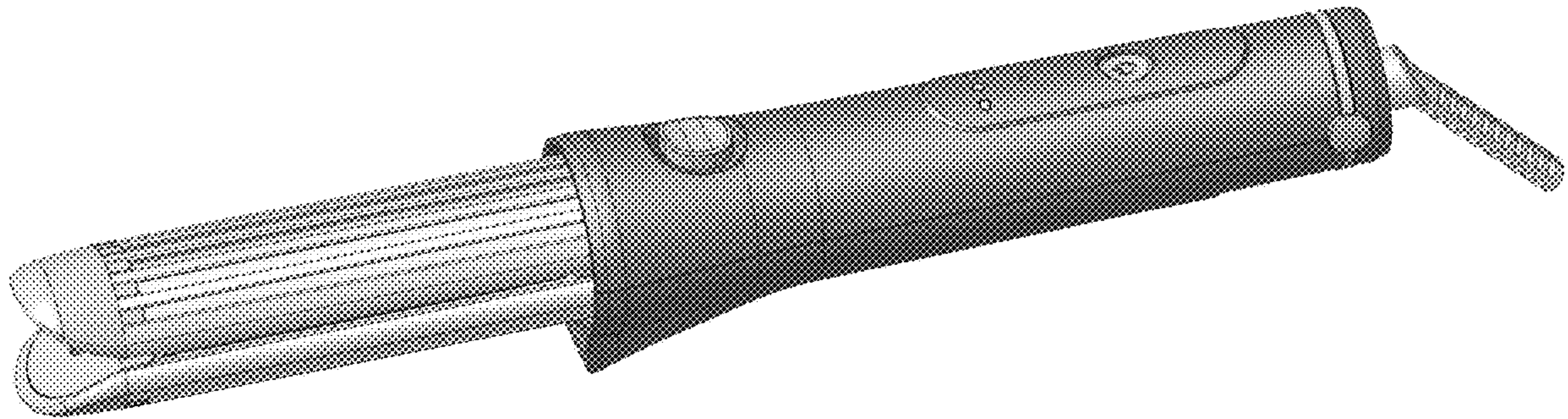
**DESCRIPTION**

1. Hair-curling apparatus  
FIG. 1.1 is a perspective view of a haircurling apparatus,  
showing my new design;  
FIG. 1.2 is an end elevation view thereof;  
FIG. 1.3 is a bottom plan view thereof;  
FIG. 1.4 is another end elevation view thereof;  
FIG. 1.5 is a side elevation view thereof;  
FIG. 1.6 is a top plan view thereof;  
FIG. 1.7 is another perspective view thereof; and  
FIG. 1.8 is another side elevation view thereof.

**1 Claim, 8 Drawing Sheets**

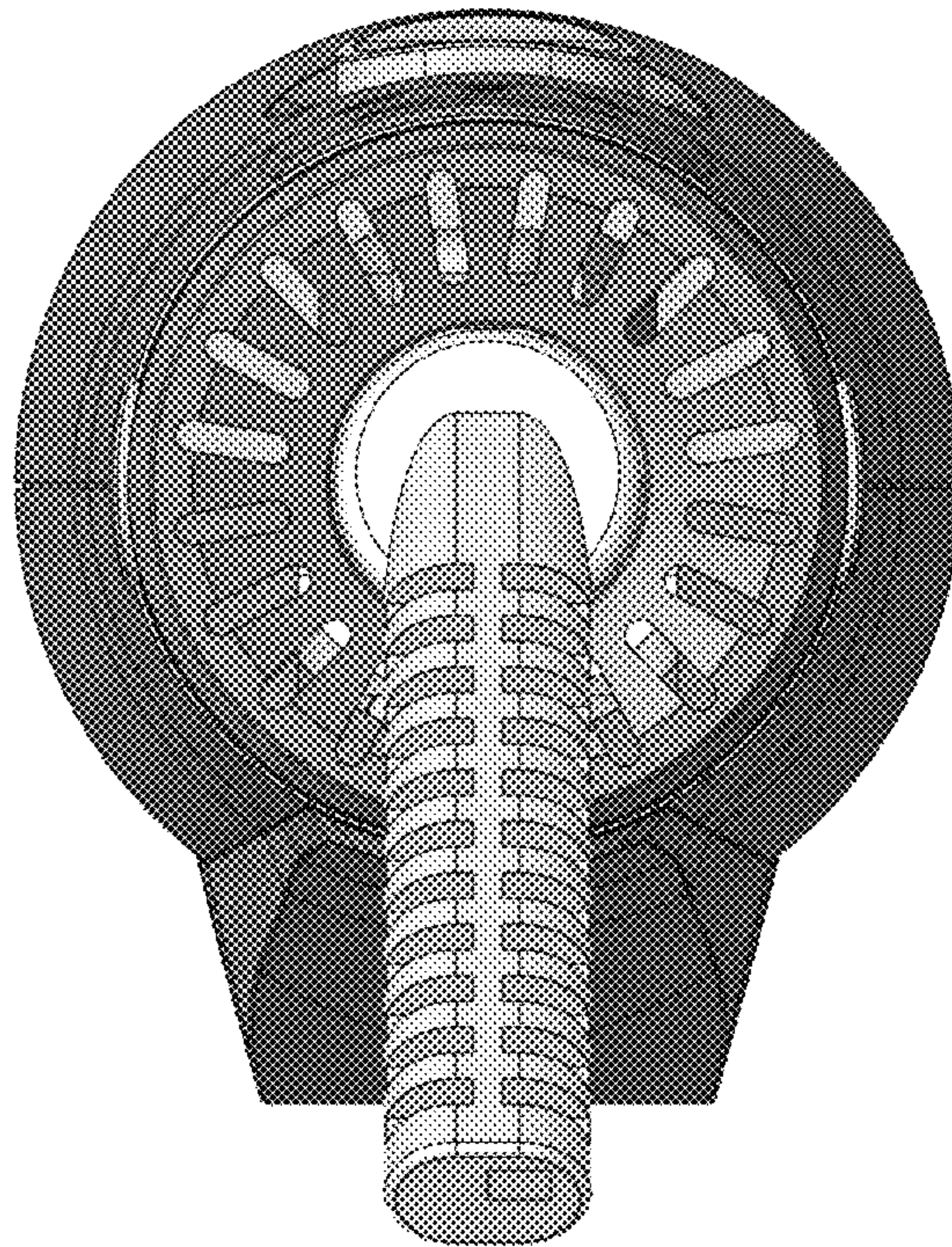


1.1

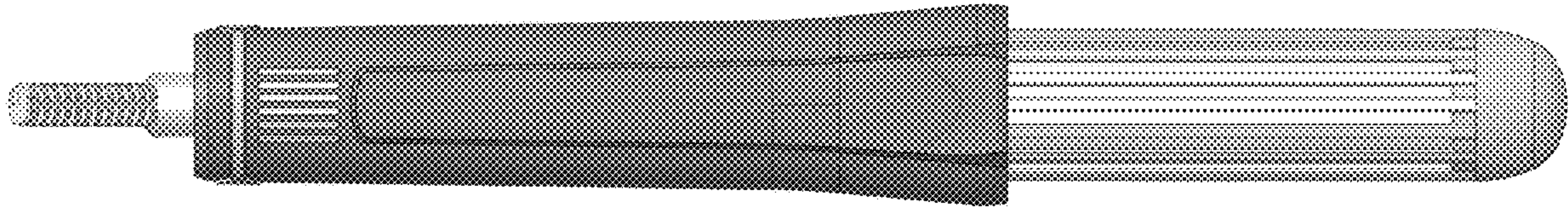




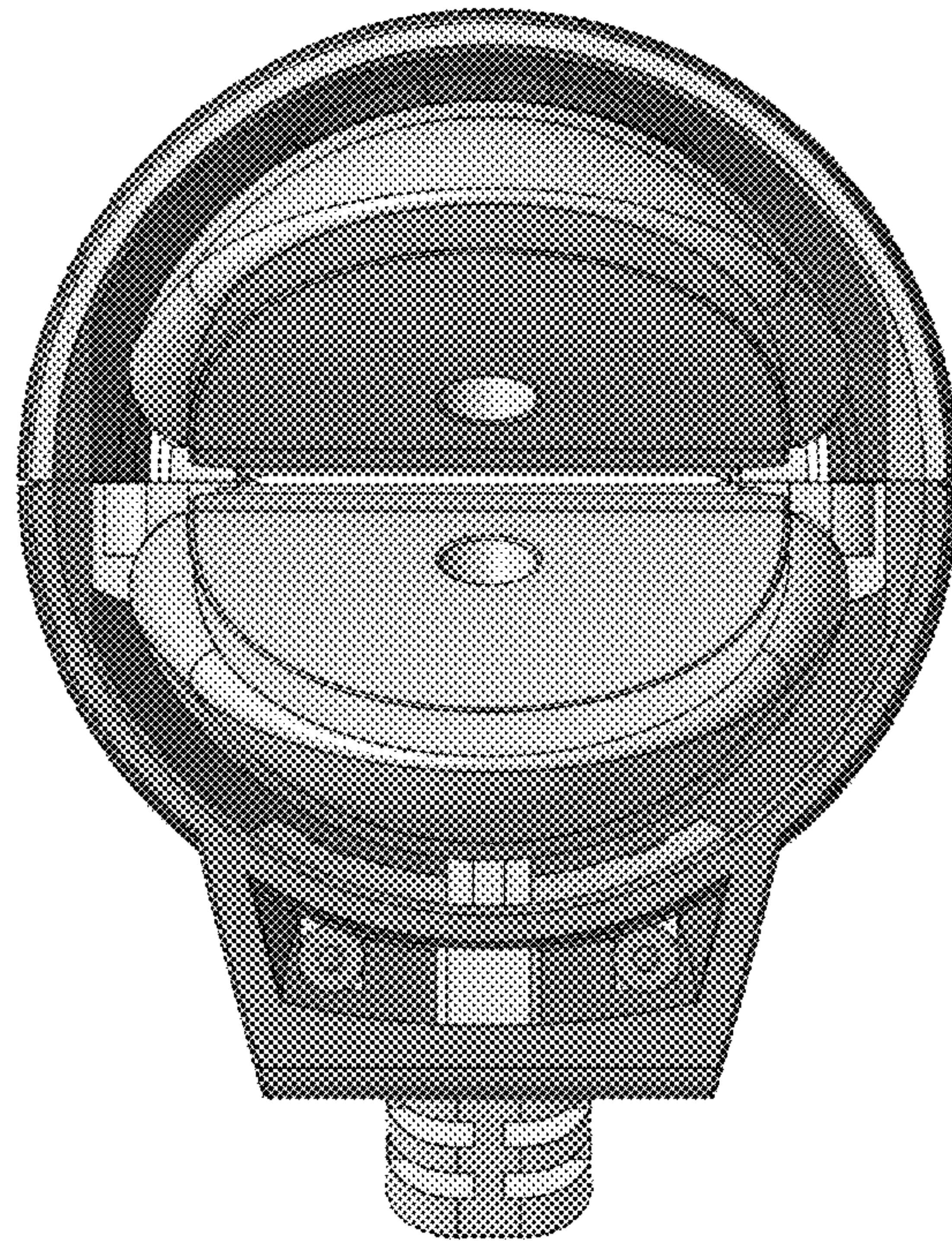
1.2



1.3

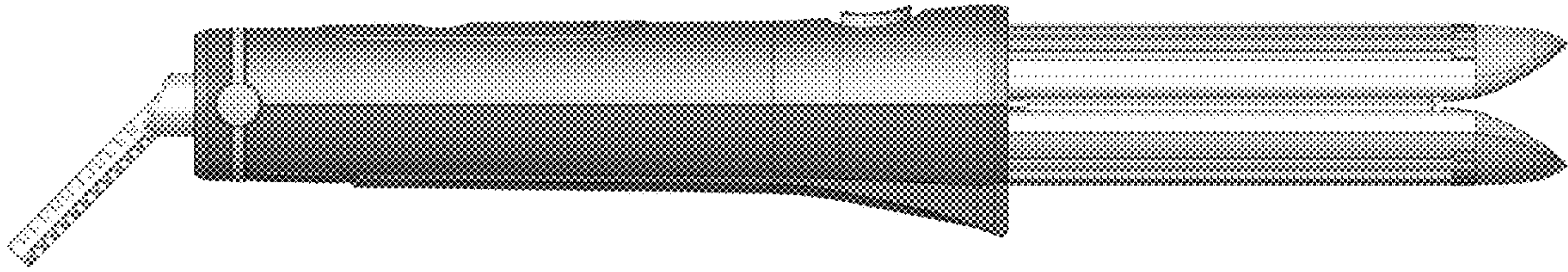


1.4

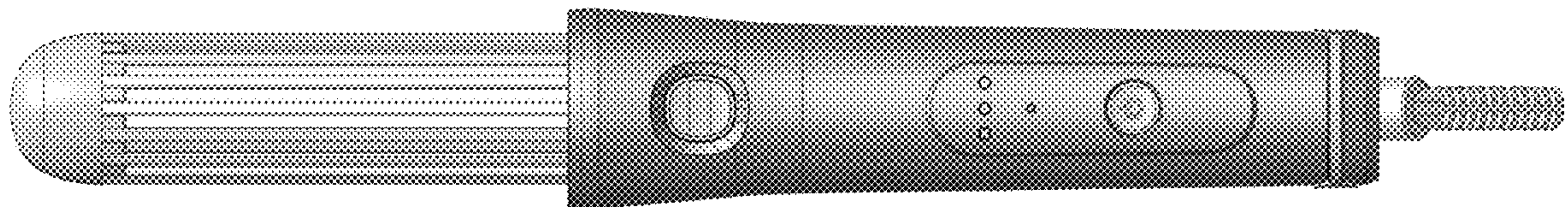




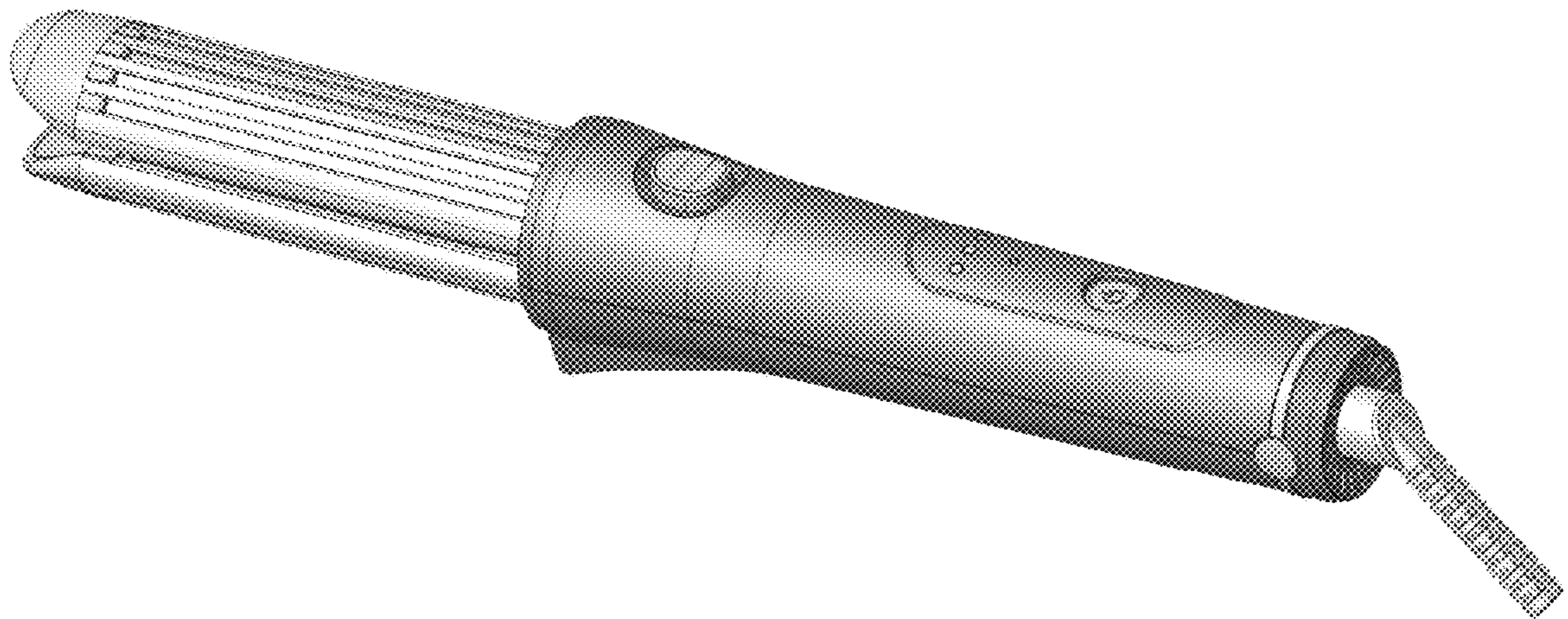
1.5



1.6



1.7





1.8

