



US00D952941S

(12) **United States Design Patent**
Lam

(10) **Patent No.:** **US D952,941 S**

(45) **Date of Patent:** **** May 24, 2022**

(54) **HAIR STRAIGHTENER**

(71) Applicant: **Shenzhen Zhongchuang Times Technology Co., Ltd., Shenzhen (CN)**

(72) Inventor: **Yau Wai Lam, Shenzhen (CN)**

(73) Assignee: **SHENZHEN ZHONGCHUANG TIMES TECHNOLOGY CO., LTD., Shenzhen (CN)**

(**) Term: **15 Years**

(21) Appl. No.: **29/775,289**

(22) Filed: **Mar. 23, 2021**

(51) **LOC (13) Cl.** **28-03**

(52) **U.S. Cl.**
USPC **D28/35; D4/100**

(58) **Field of Classification Search**
USPC D28/35, 24, 18, 37; D4/100
CPC .. A45D 24/007; A45D 2/00-002; A45D 1/00;
A45D 1/04; A45D 1/06-14; A45D
2/38-40; A45D 2001/004-008
See application file for complete search history.

(56) **References Cited**

U.S. PATENT DOCUMENTS

D479,626 S	9/2003	Colombo	
D609,857 S *	2/2010	Schmitz	D28/35
D771,310 S *	11/2016	He	D28/35
D854,245 S *	7/2019	Takemura	D28/35
D862,087 S *	10/2019	Ma	D28/35
D895,972 S *	9/2020	Janowick	D28/35
D898,363 S	10/2020	Gan	

D904,032 S *	12/2020	Zeng	D28/35
D930,363 S *	9/2021	Xu	D4/100
D934,501 S *	10/2021	Huang	D28/35
2015/0122286 A1 *	5/2015	Valle	A45D 2/002 132/229

* cited by examiner

Primary Examiner — Jennifer Rivard

(57) **CLAIM**

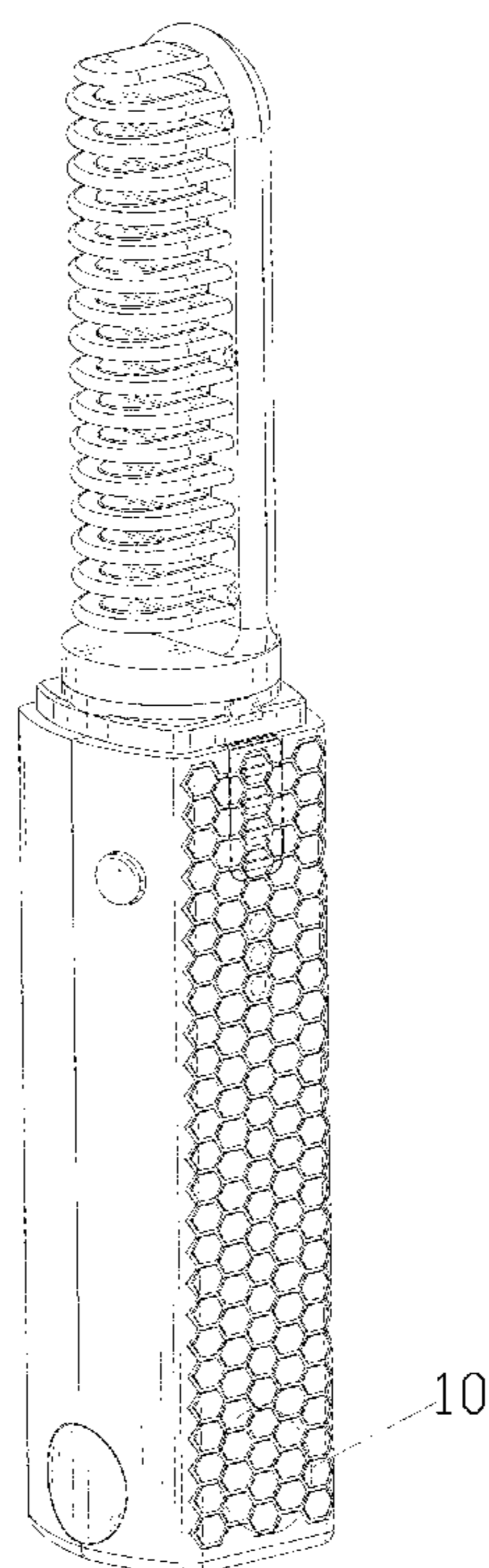
The ornamental design for a hair straightener, as shown and described.

DESCRIPTION

FIG. 1 is a perspective view of a hair straightener showing my new design;
FIG. 2 is another perspective view thereof;
FIG. 3 is a front elevational view thereof;
FIG. 4 is a rear elevational view thereof;
FIG. 5 is a left side elevational view thereof;
FIG. 6 is a right side elevational view thereof;
FIG. 7 is a top plan view thereof;
FIG. 8 is a bottom plan view thereof;
FIG. 9 is a perspective view of FIG. 1 in a second state, shown with an unclaimed cap; and,
FIG. 10 is an enlarged view of the encircled portion 10 of FIG. 1.

The broken lines in the drawings are for the purpose of illustrating portions of the hair straightener that form no part of the claimed design.

1 Claim, 10 Drawing Sheets



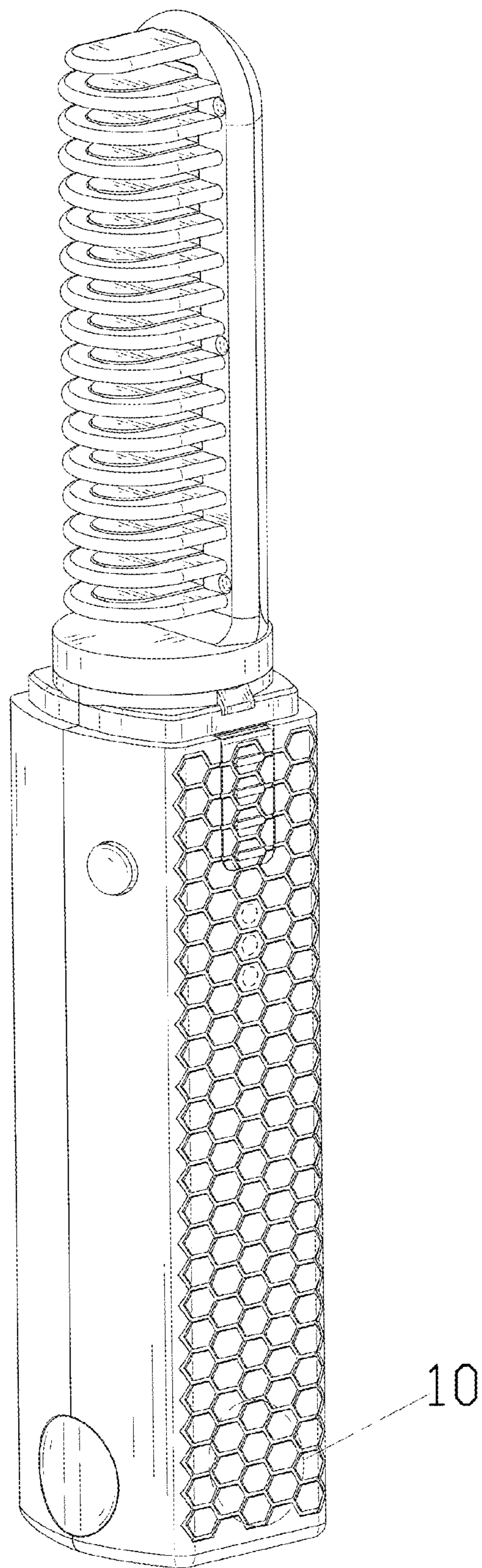


FIG. 1

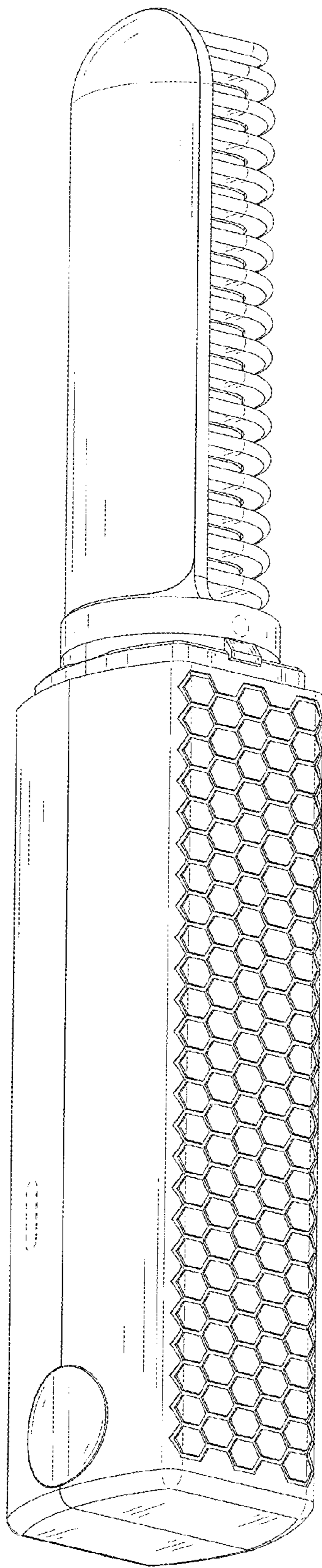


FIG. 2

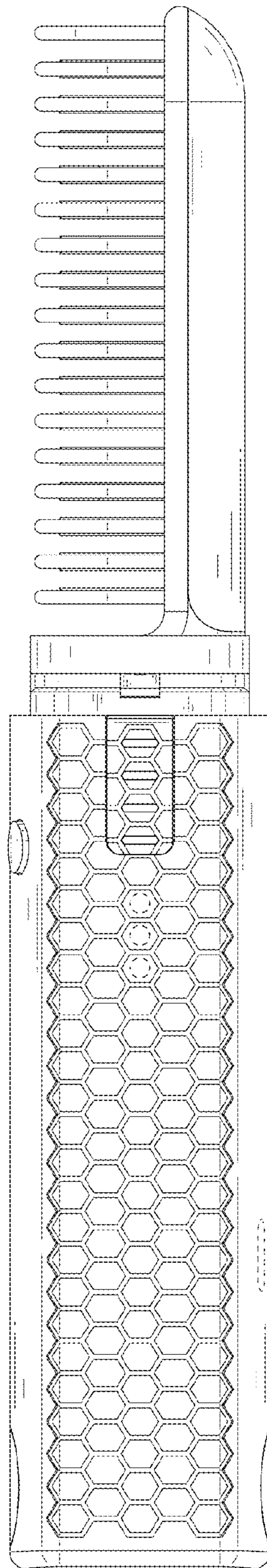


FIG. 3

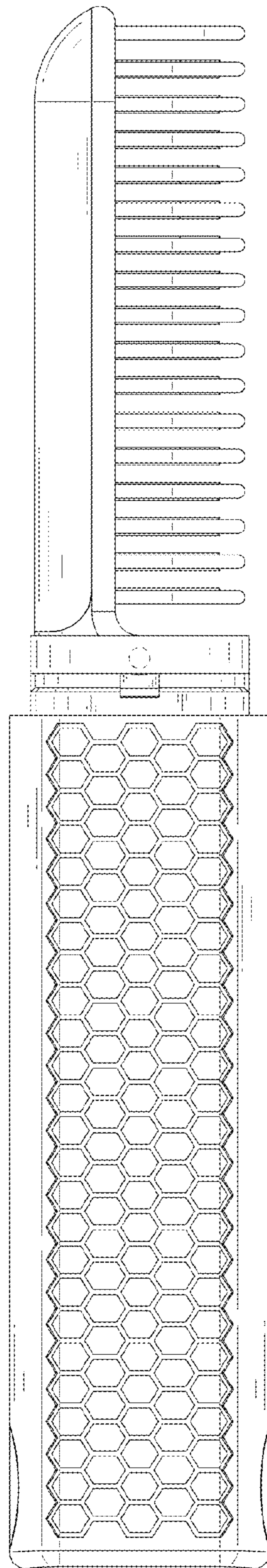


FIG. 4

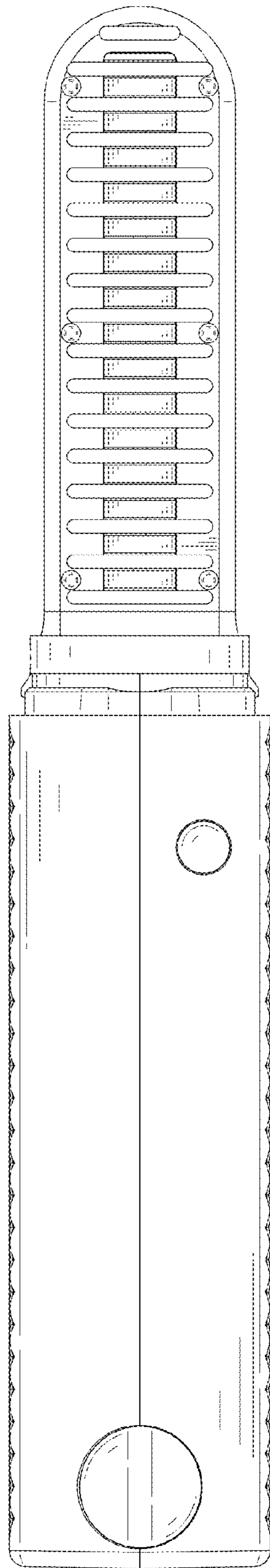


FIG. 5

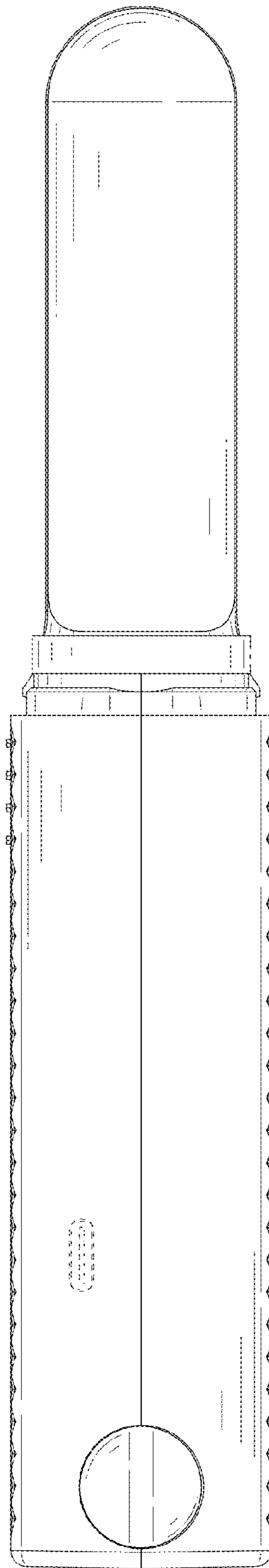


FIG. 6

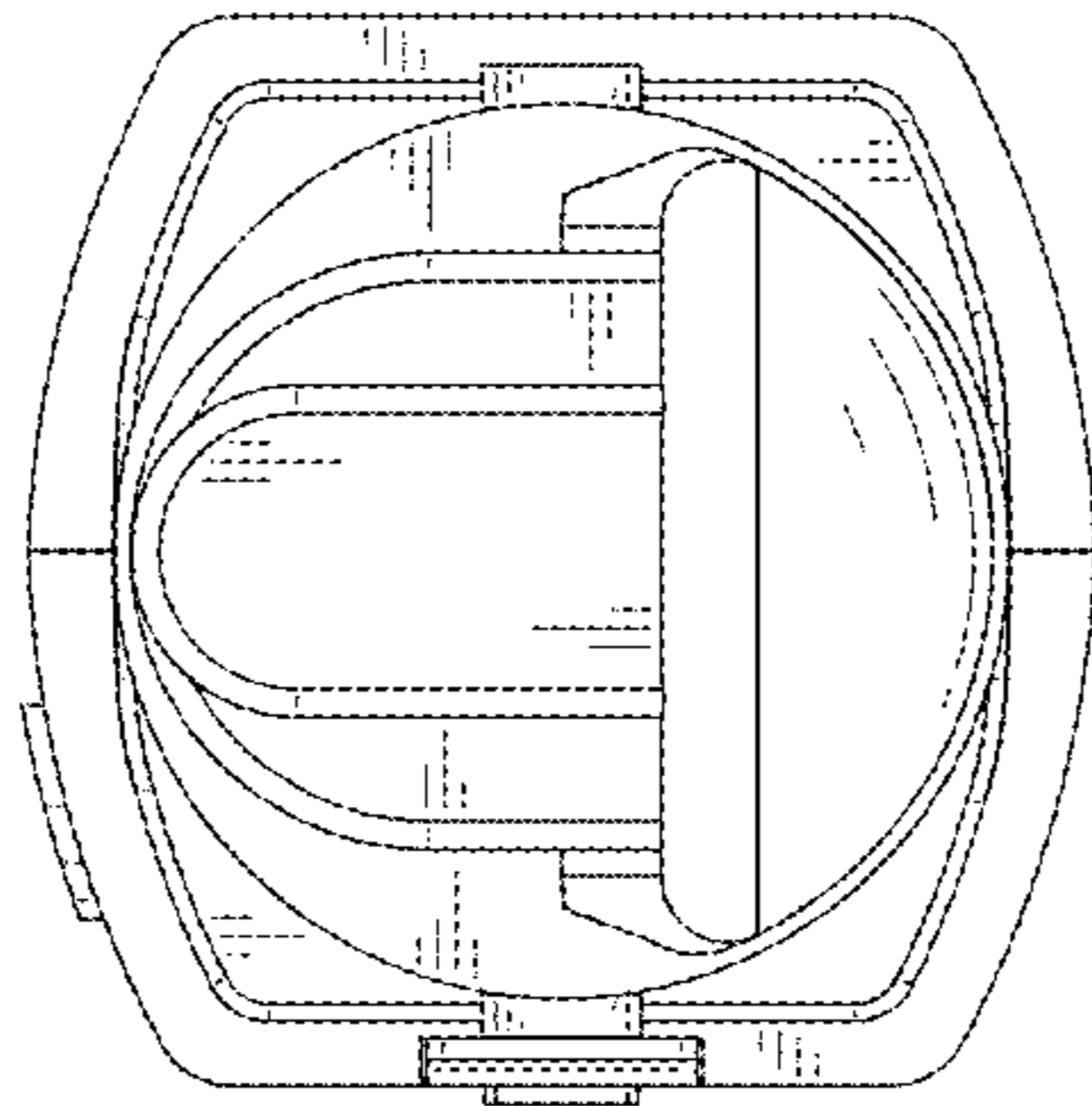


FIG. 7

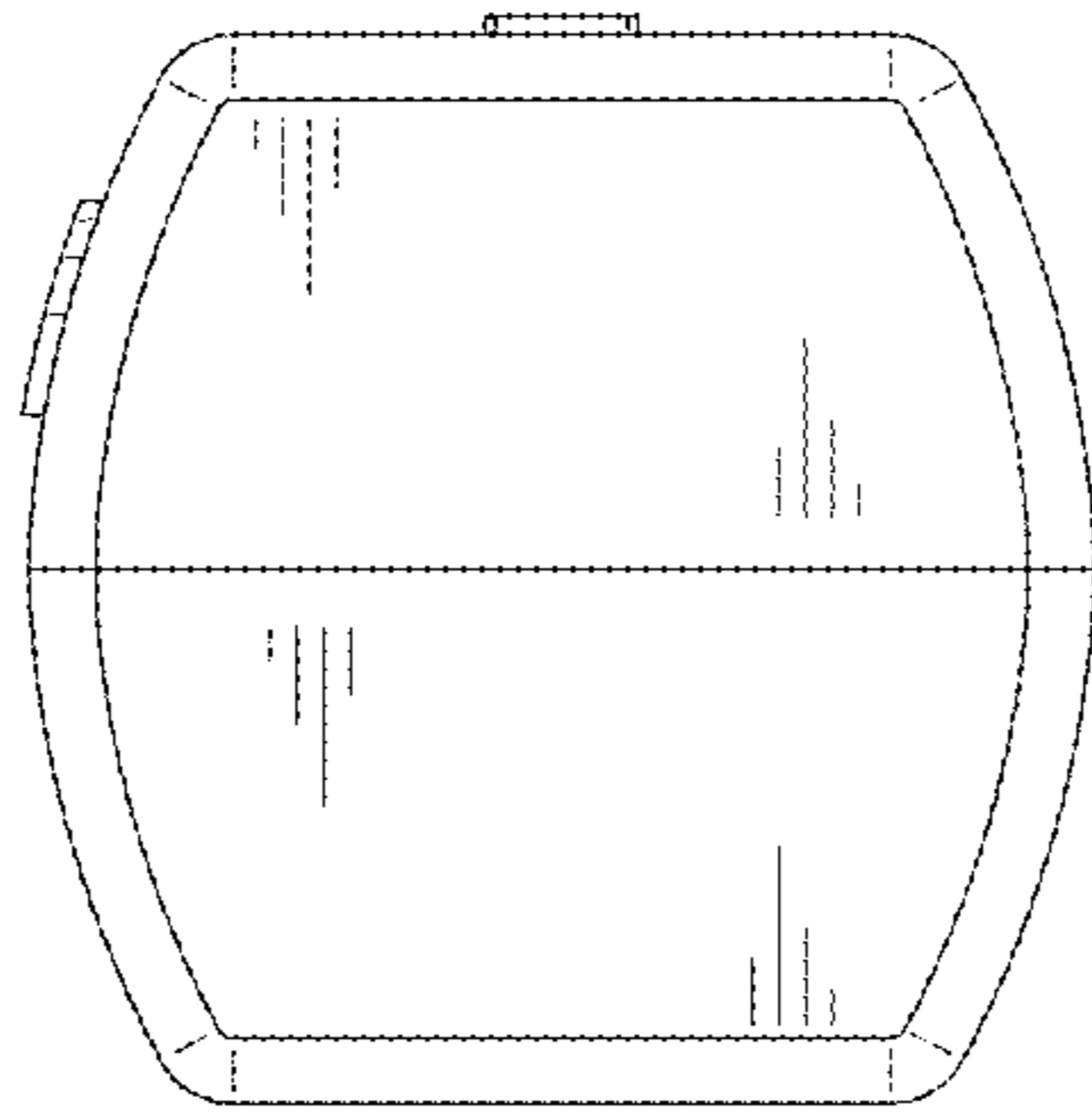


FIG. 8

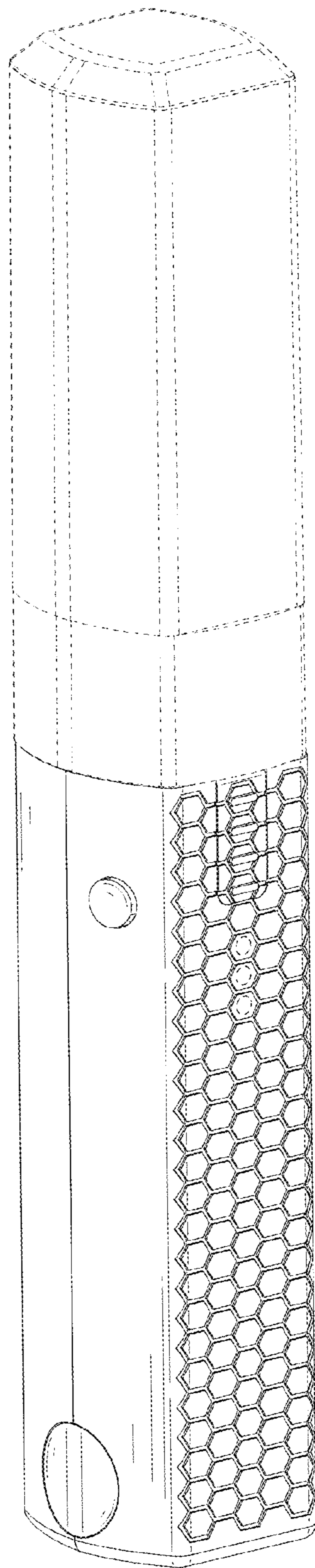


FIG. 9

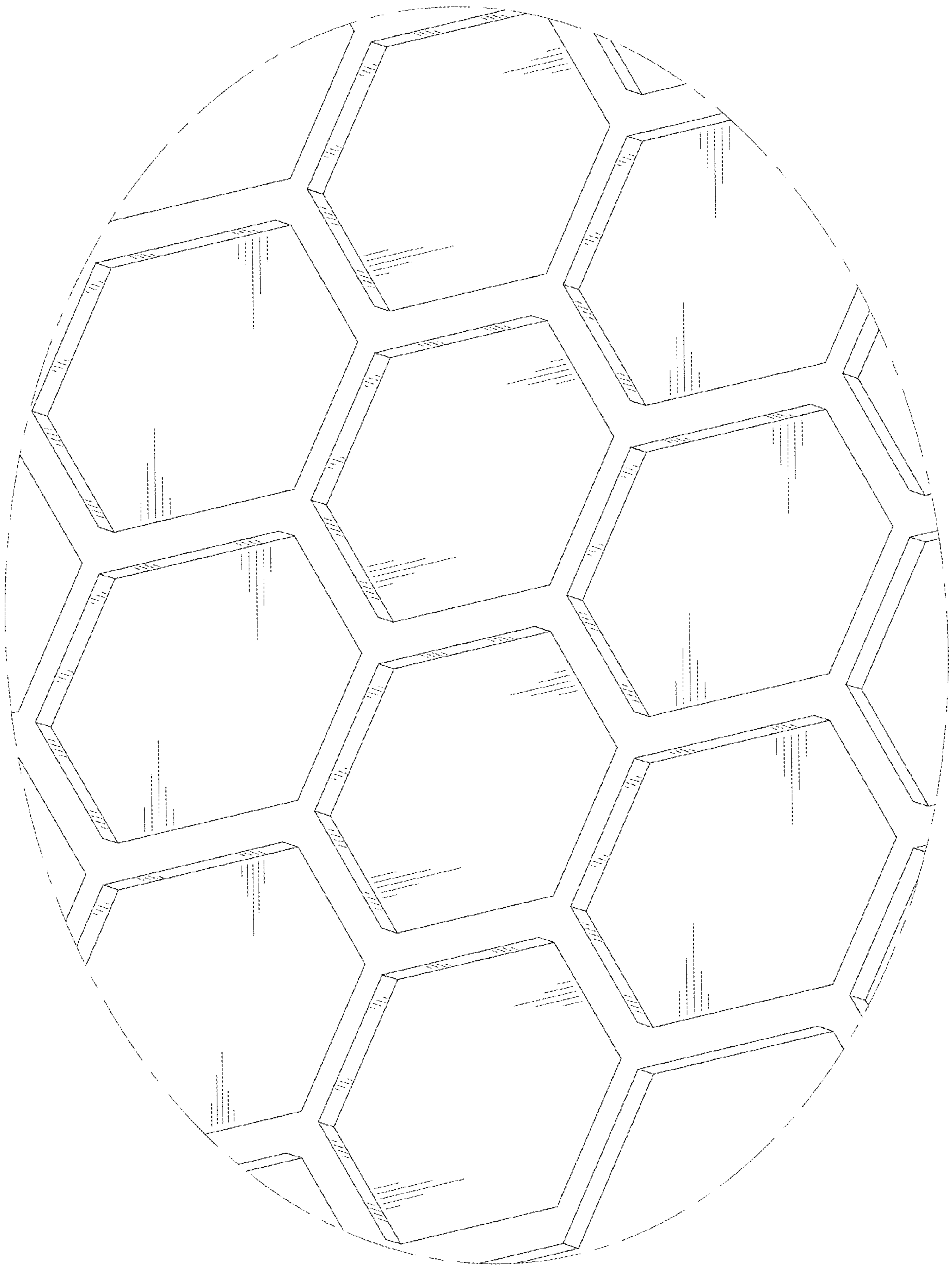


FIG. 10