



US00D952940S

(12) **United States Design Patent**
Mo

(10) **Patent No.:** **US D952,940 S**

(45) **Date of Patent:** **** May 24, 2022**

(54) **HAIR DRYER**

(71) Applicant: **Shenzhen Yiyuantong Supply Chain Management Co., Ltd., Shenzhen (CN)**

(72) Inventor: **Like Mo, Shenzhen (CN)**

(**) Term: **15 Years**

(21) Appl. No.: **29/764,793**

(22) Filed: **Jan. 3, 2021**

(51) **LOC (13) Cl.** **28-03**

(52) **U.S. Cl.**
USPC **D28/13**

(58) **Field of Classification Search**
USPC D28/12-19; D8/29.1
CPC A45D 20/00; A45D 20/04; A45D 20/08;
A45D 20/10; A45D 20/12; A45D
2020/128

See application file for complete search history.

(56) **References Cited**

U.S. PATENT DOCUMENTS

D290,174 S *	6/1987	Tsuji	D28/13
D894,484 S *	8/2020	Huang	D28/13
D898,282 S *	10/2020	Huang	D28/13
D911,603 S *	2/2021	Wang	D28/13
D914,968 S *	3/2021	Huang	D28/13

D914,972 S *	3/2021	Huang	D28/13
D925,825 S *	7/2021	Lo	D28/13
D925,826 S *	7/2021	Grienay	D28/13
D926,370 S *	7/2021	Sun	D28/13
D927,778 S *	8/2021	Zou	D28/13
D933,292 S *	10/2021	Yang	D28/13
D934,496 S *	10/2021	Huang	D28/13
D943,201 S *	2/2022	Liu	D28/13

* cited by examiner

Primary Examiner — Zenia I Bennett

(57) **CLAIM**

The ornamental design for a hair dryer, as shown and described.

DESCRIPTION

FIG. 1 is a perspective view of a hair dryer showing my new design;

FIG. 2 is a front view thereof;

FIG. 3 is a rear view thereof;

FIG. 4 is a left side view thereof;

FIG. 5 is a right side view thereof;

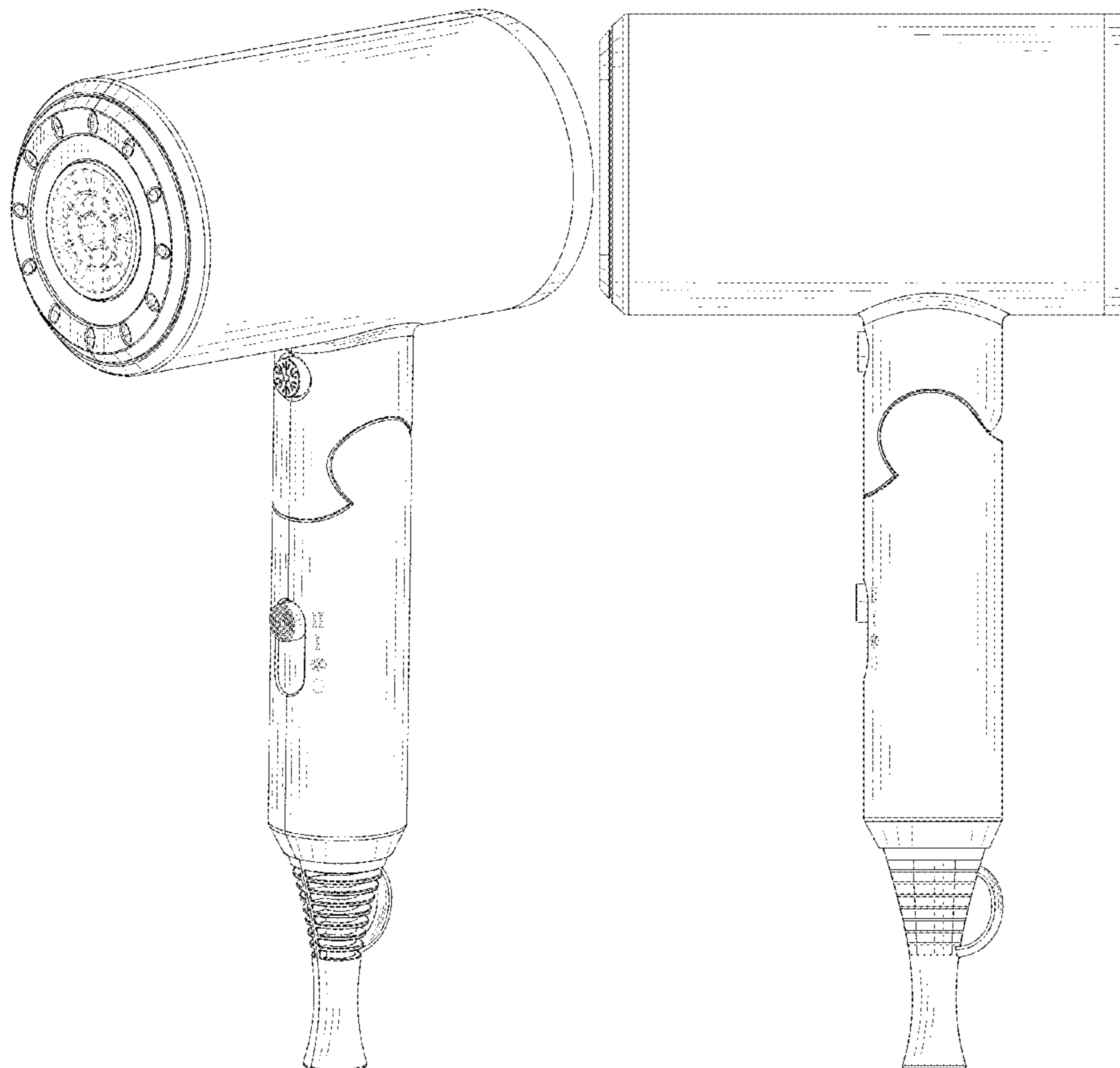
FIG. 6 is a top plan view thereof;

FIG. 7 is a bottom plan view thereof; and,

FIG. 8 is a perspective view of another state thereof.

The dashed or broken lines shown in the drawings depict portions of the hair dryer in which the design is embodied that form no part of the claimed design.

1 Claim, 8 Drawing Sheets



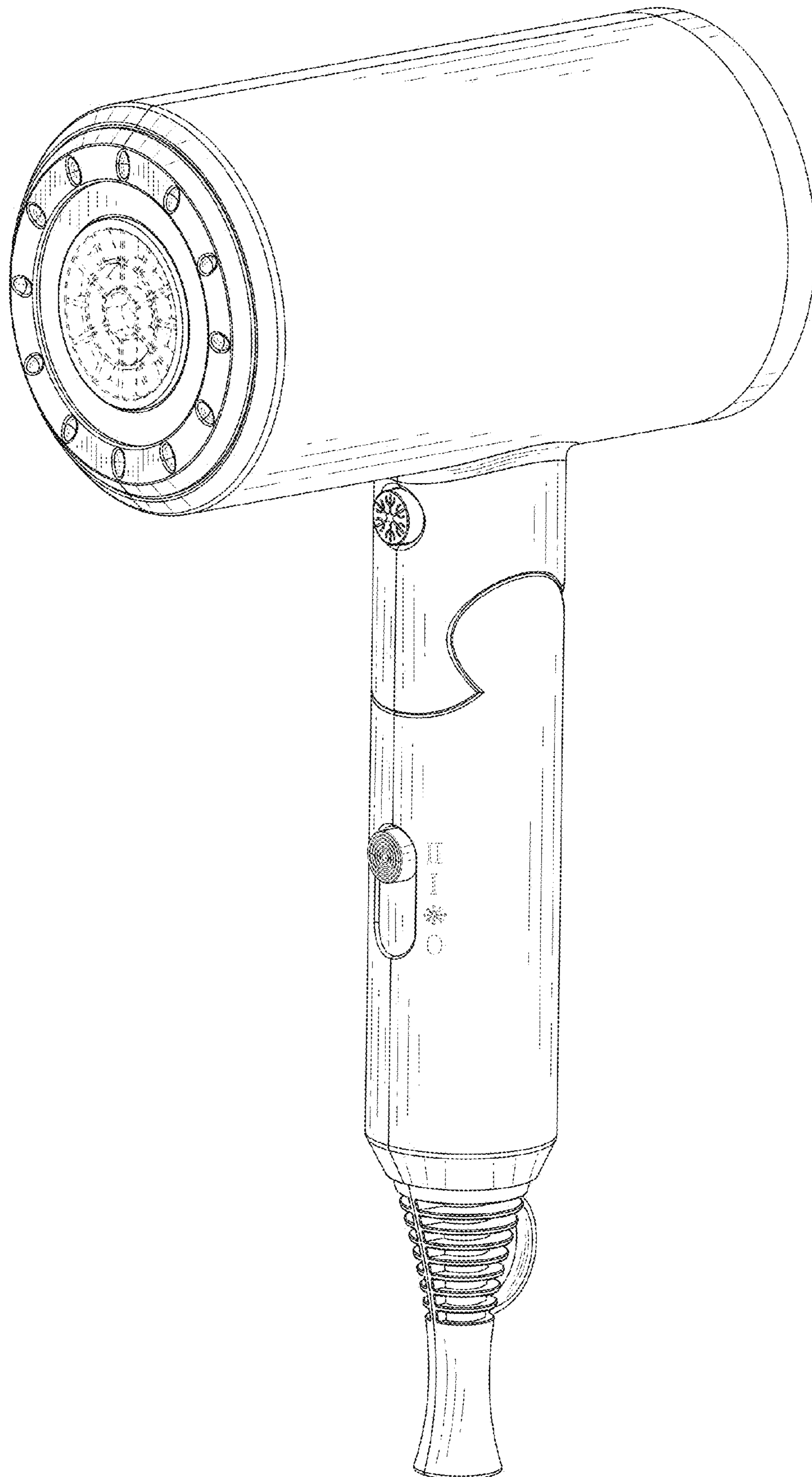


FIG. 1

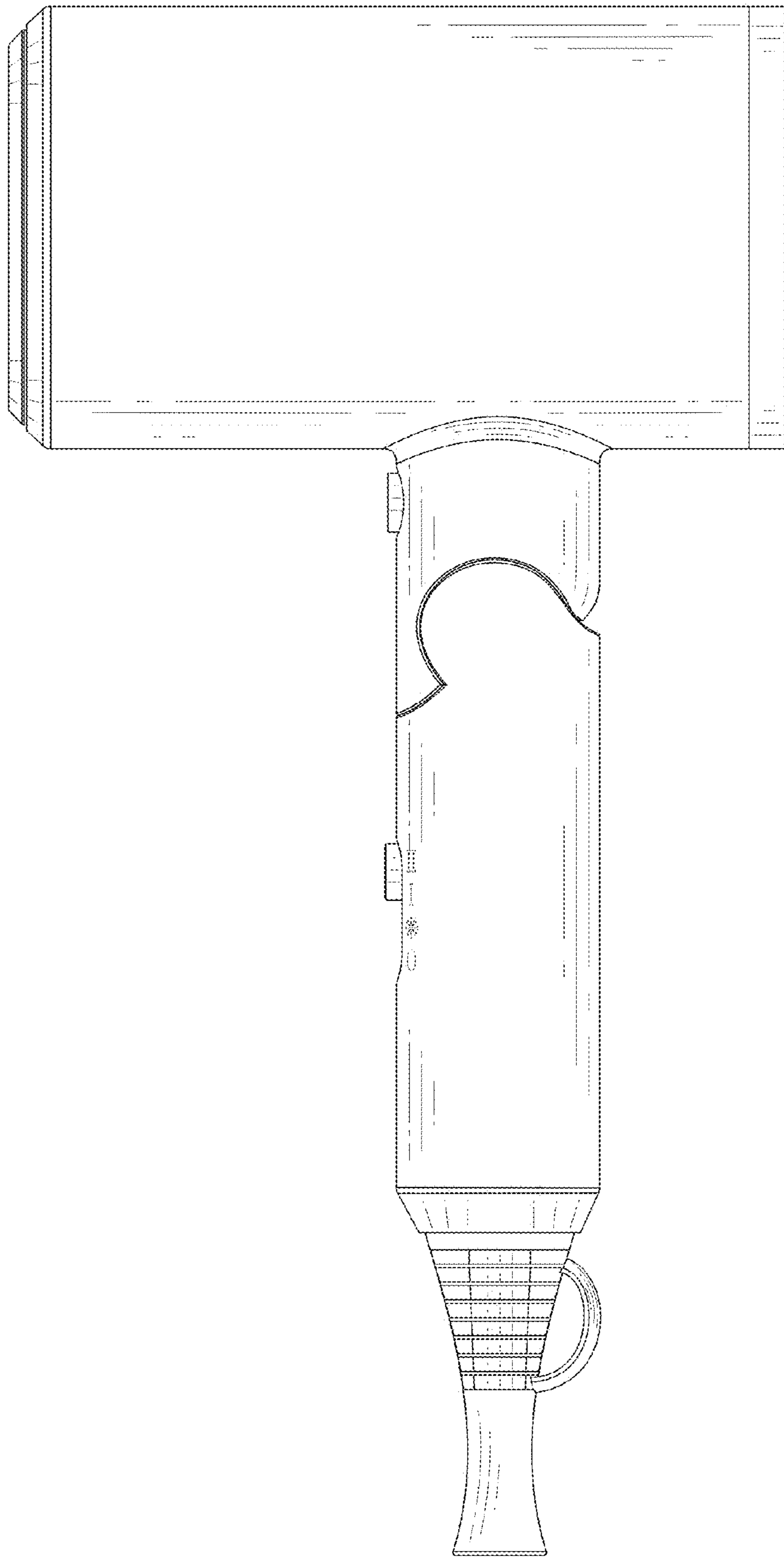


FIG.2

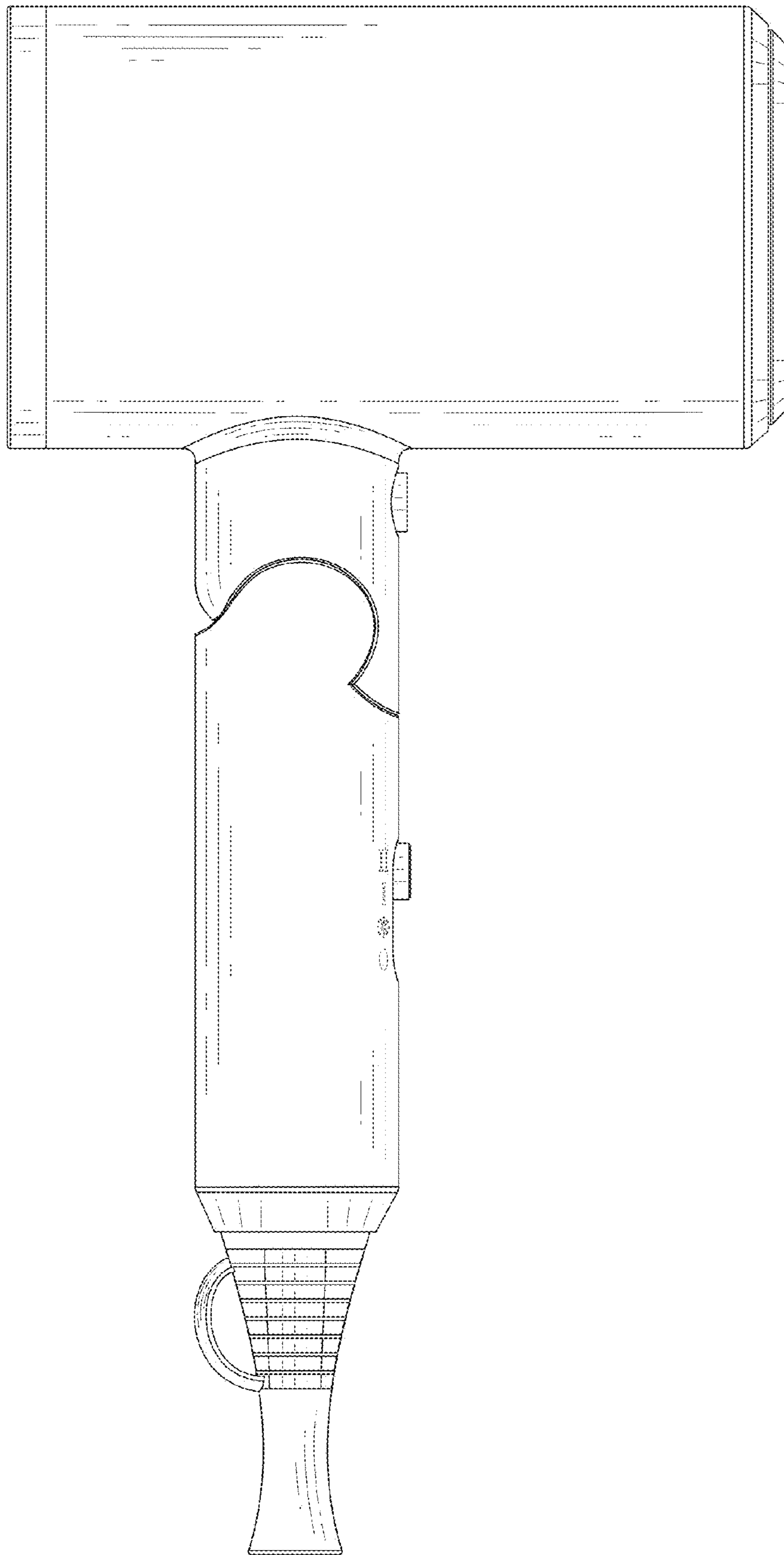


FIG.3

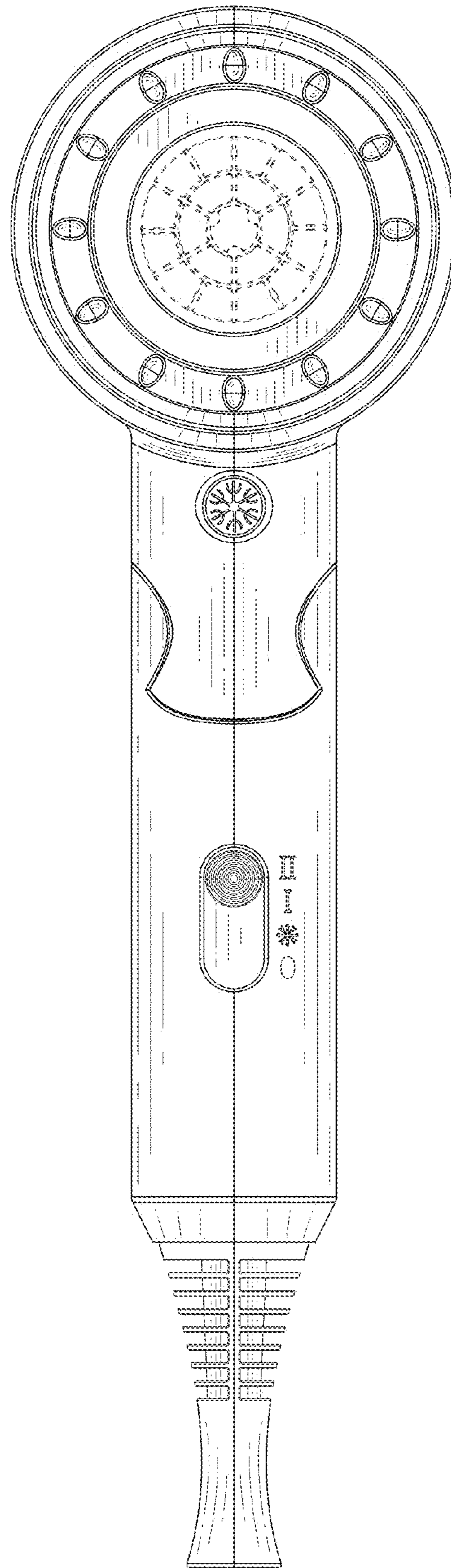


FIG.4

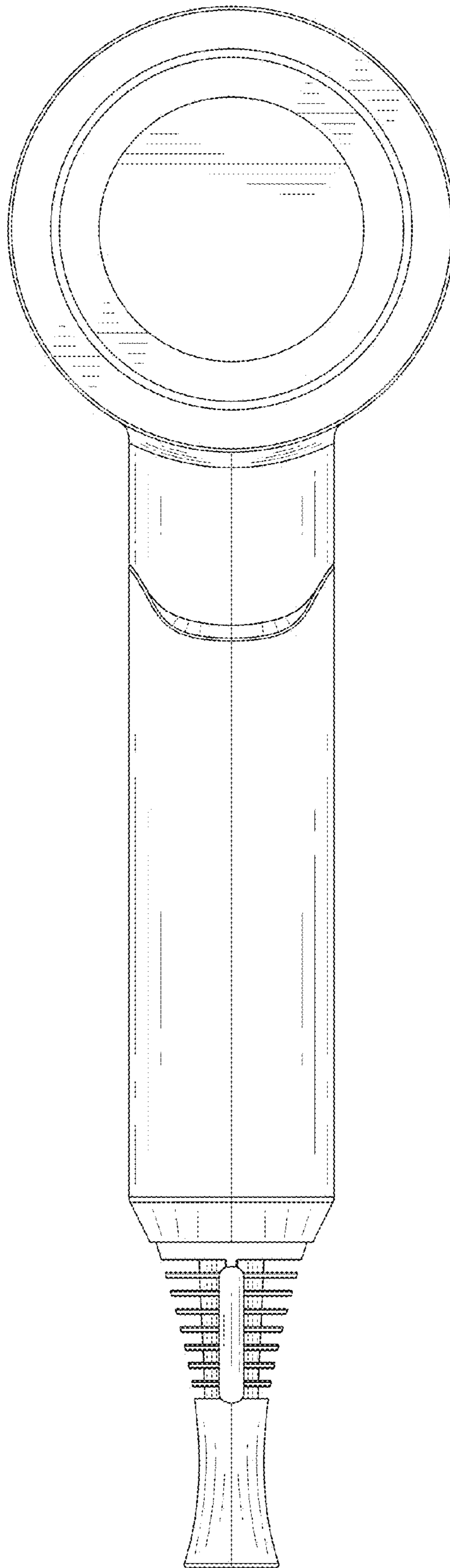


FIG.5

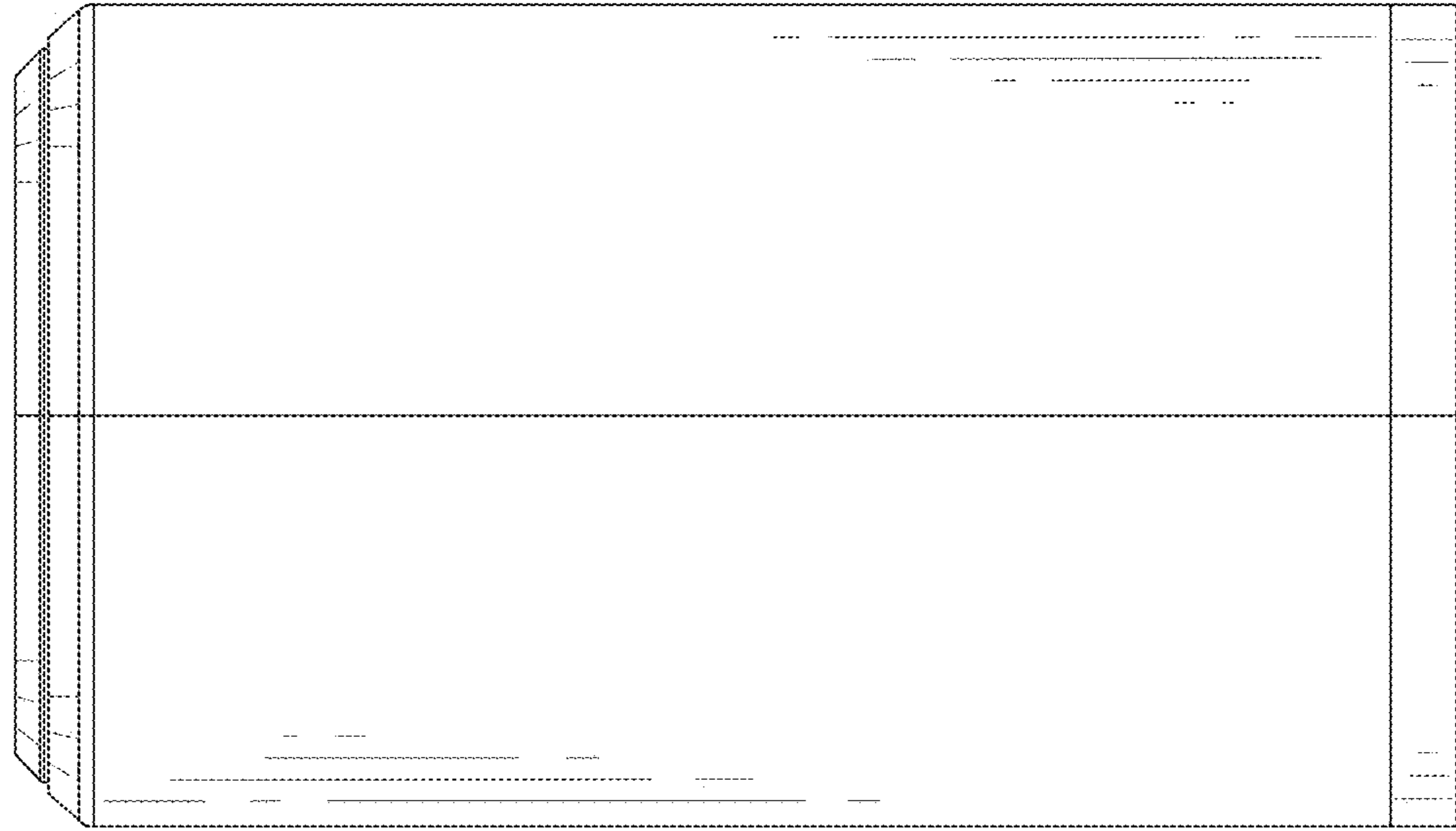


FIG.6

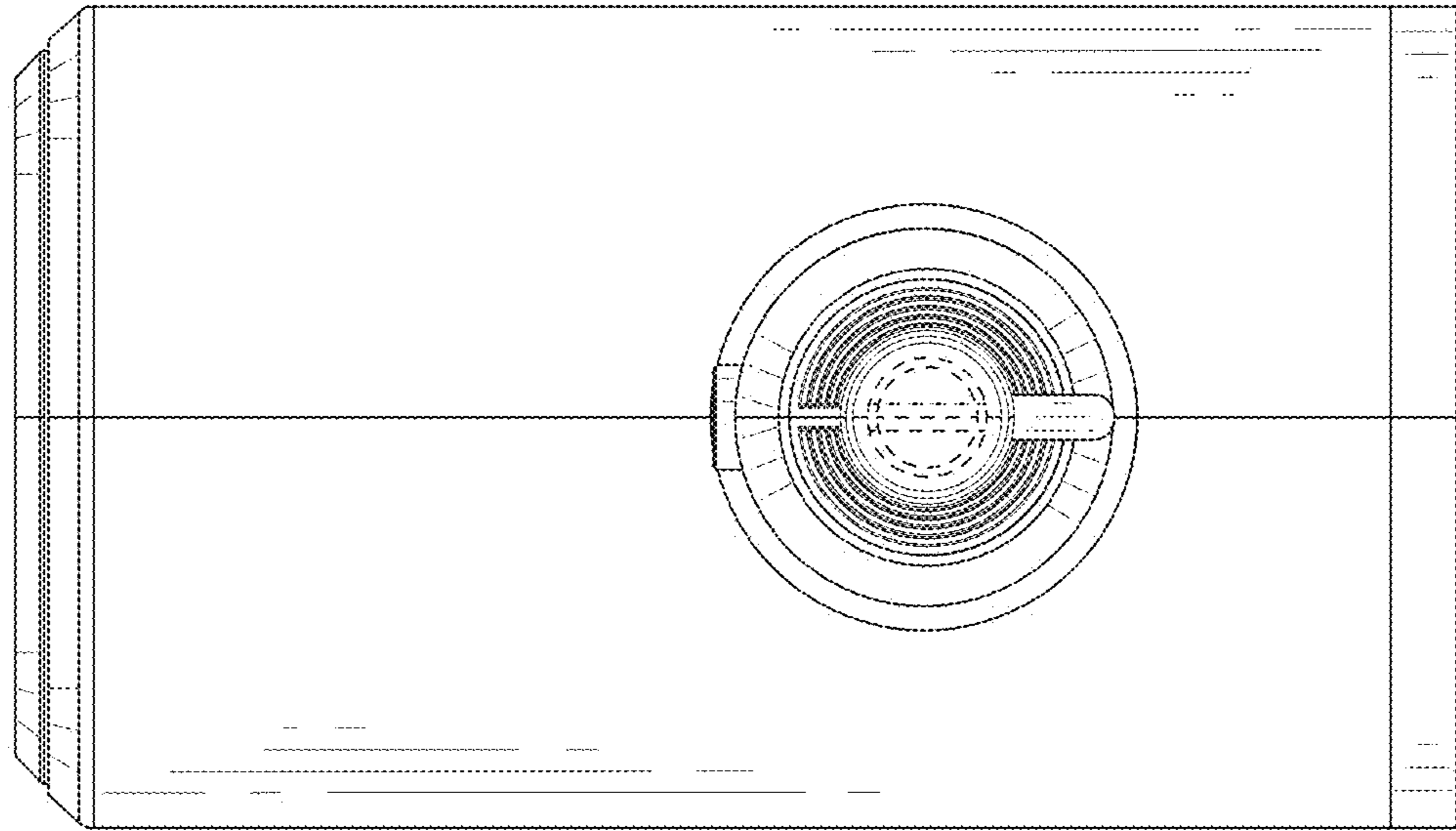


FIG.7

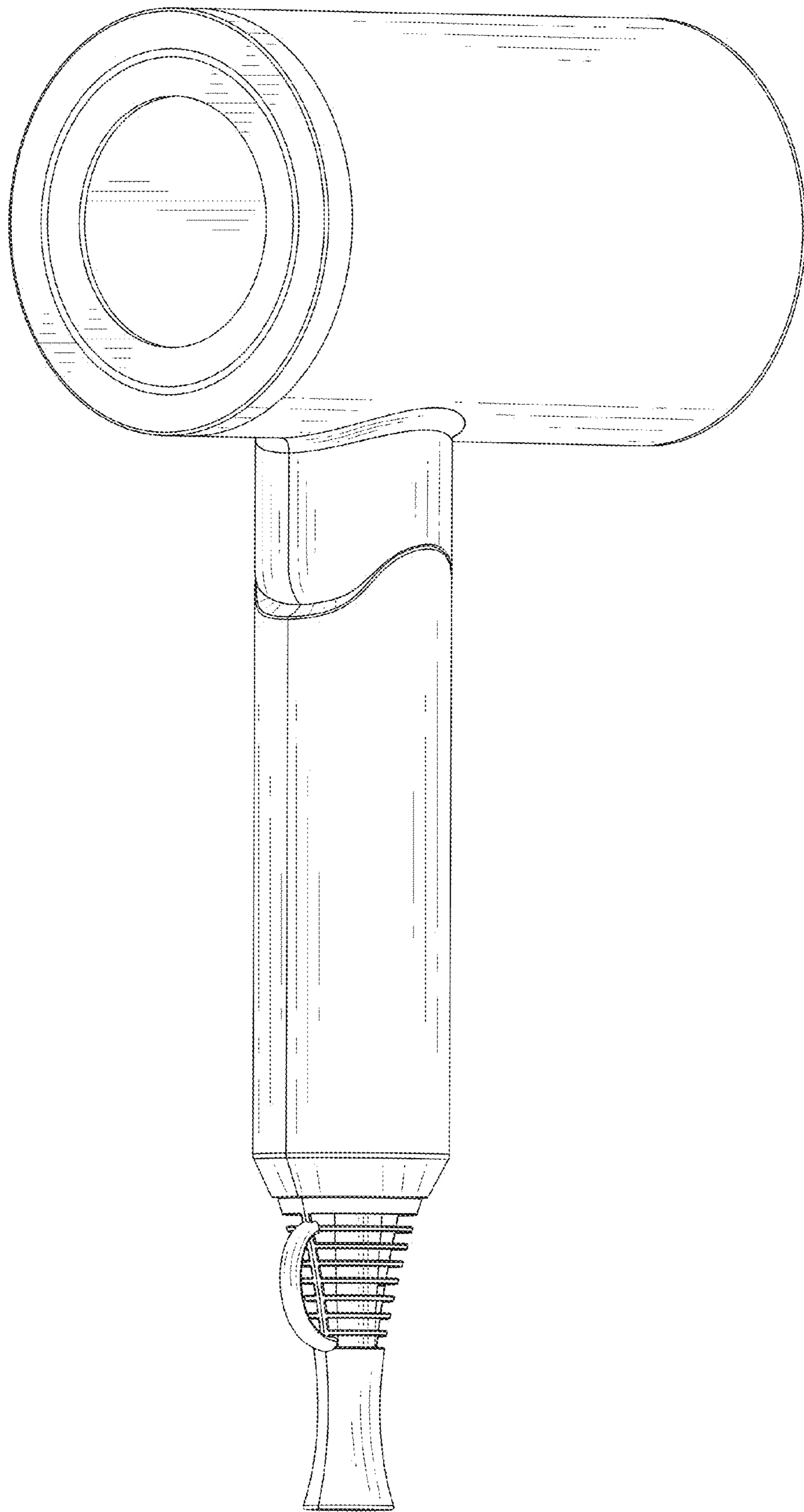


FIG. 8