



US00D952939S

(12) **United States Design Patent**
Spielman

(10) **Patent No.:** **US D952,939 S**
(45) **Date of Patent:** **** May 24, 2022**

(54) **COMBINATION DEVICE FOR TOBACCO GRINDING, SORTING, AND LOADING**

DESCRIPTION

(71) Applicant: **ZES Products, LLC**, Orange, VA (US)
(72) Inventor: **Zachary Elliott Spielman**, Keswick, VA (US)

(**) Term: **15 Years**

(21) Appl. No.: **29/708,507**

(22) Filed: **Oct. 7, 2019**

(51) **LOC (13) Cl.** **27-99**

(52) **U.S. Cl.**
USPC **D27/195; D7/679**

(58) **Field of Classification Search**
USPC D27/102, 136, 137, 163, 167, 172, 173, D27/174, 175, 176, 177, 178, 179, 180,
(Continued)

(56) **References Cited**

U.S. PATENT DOCUMENTS

D263,269 S * 3/1982 Strathman D27/194
D408,099 S * 4/1999 Putnam D27/190
(Continued)

OTHER PUBLICATIONS

DCOU Large Aluminum Spice Grinder . . . , first available Apr. 18, 2020, amazon.com, [online] [site visited Oct. 6, 2020], Available from internet URL:https://www.amazon.com/DCOU-Aluminum-Grinder-Collector-Magnetic/dp/B087948MBD/ref=sr_1_121?dchild=1&keywords=tobacco+grinder&qid=1602028225&sr=8-121 (Year: 2020).*

Primary Examiner — Lakiya G Rogers

Assistant Examiner — William B Melliar

(74) *Attorney, Agent, or Firm* — Pequignot + Myers;
Matthew A. Pequignot

(57) **CLAIM**

The ornamental design for a combination device for tobacco grinding, sorting and loading, as shown and described.

FIG. 1 is perspective view of the combination device for tobacco grinding, sorting, and loading showing the new design thereof.

FIG. 2 is an enlarged, partial perspective view of the combination device for tobacco grinding, sorting, and loading shown in an alternate configuration and with a symbolic break.

FIG. 3 is a first-side elevational view of the combination device for tobacco grinding, sorting, and loading shown in FIG. 1.

FIG. 4 is a second-side elevational view of the combination device for tobacco grinding, sorting, and loading shown in FIG. 1.

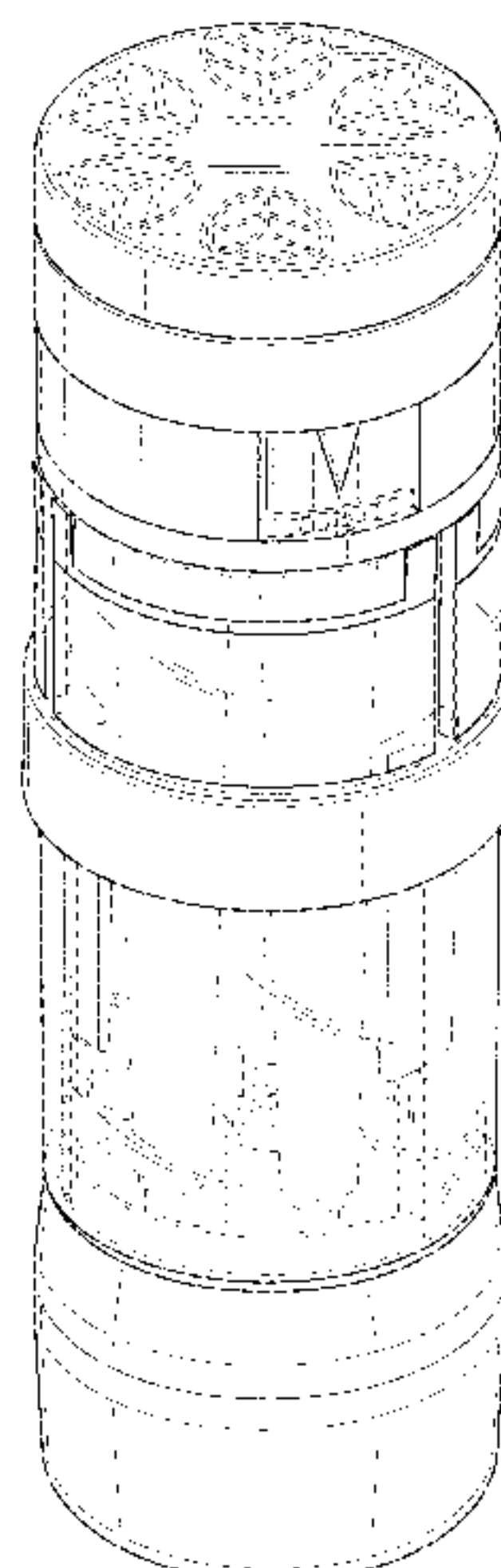
FIG. 5 is a third-side elevational view of the combination device for tobacco grinding, sorting, and loading shown in FIG. 1.

FIG. 6 is a fourth-side elevational view of the combination device for tobacco grinding, sorting, and loading shown in FIG. 1.

FIG. 7 is a top plan view of the combination device for tobacco grinding, sorting, and loading shown in FIG. 1; and, FIG. 8 is a bottom plan view of the combination device for tobacco grinding, sorting, and loading shown in FIG. 1.

In the drawings, the broken lines depict portions of the combination device for tobacco grinding, sorting, and loading that form no part of the claimed design. The additional broken lines shown in FIGS. 1 and 7 depict environment only and form no part thereof. The central, cylindrical body is shaded for transparency. Additional surface shading is included to aid in understanding the design. Portion(s) of the combination device for tobacco grinding, sorting, and loading that would normally be visible, but are not shown in the drawing or described in the specification, are not part of the claimed design.

1 Claim, 7 Drawing Sheets



(58) **Field of Classification Search**

USPC D27/181, 182, 183, 184, 185, 186, 187,
 D27/188, 189, 190, 191, 192, 193, 194,
 D27/195, 196; D7/679

See application file for complete search history.

(56) **References Cited**

U.S. PATENT DOCUMENTS

D409,330	S *	5/1999	Putnam	D27/190
D670,858	S *	11/2012	Fakhouri	D27/189
D702,398	S *	4/2014	Fakhouri	D27/181
D747,037	S *	1/2016	Spielman	B02C 18/08
					D27/194
9,521,929	B1 *	12/2016	Raphael	B02C 13/22
D811,652	S *	2/2018	Liu	D27/167
D823,537	S *	7/2018	Beaver	D27/191
D823,689	S *	7/2018	Durand	D9/503
D824,586	S *	7/2018	Fornarelli	D27/194
D826,470	S *	8/2018	Huang	D27/167
D836,833	S *	12/2018	Simon	D27/189
D861,978	S *	10/2019	Lai	D27/167
D861,979	S *	10/2019	Sibley	D27/183
D862,795	S *	10/2019	Caldas	D27/194
D867,657	S *	11/2019	Fornarelli	D27/194
D874,886	S *	2/2020	Breneman	D7/679
D923,870	S *	6/2021	Wang	D27/194
D924,018	S *	7/2021	Huang	D7/679
2016/0100715	A1 *	4/2016	Staiano	A47J 42/00
					241/79
2019/0269278	A1 *	9/2019	Neury	A47J 42/34
2020/0015518	A1 *	1/2020	Lopez	B65D 43/162
2020/0187716	A1 *	6/2020	Ashton	A47J 42/14
2020/0237158	A1 *	7/2020	Gorodtzer	A47J 42/38

* cited by examiner

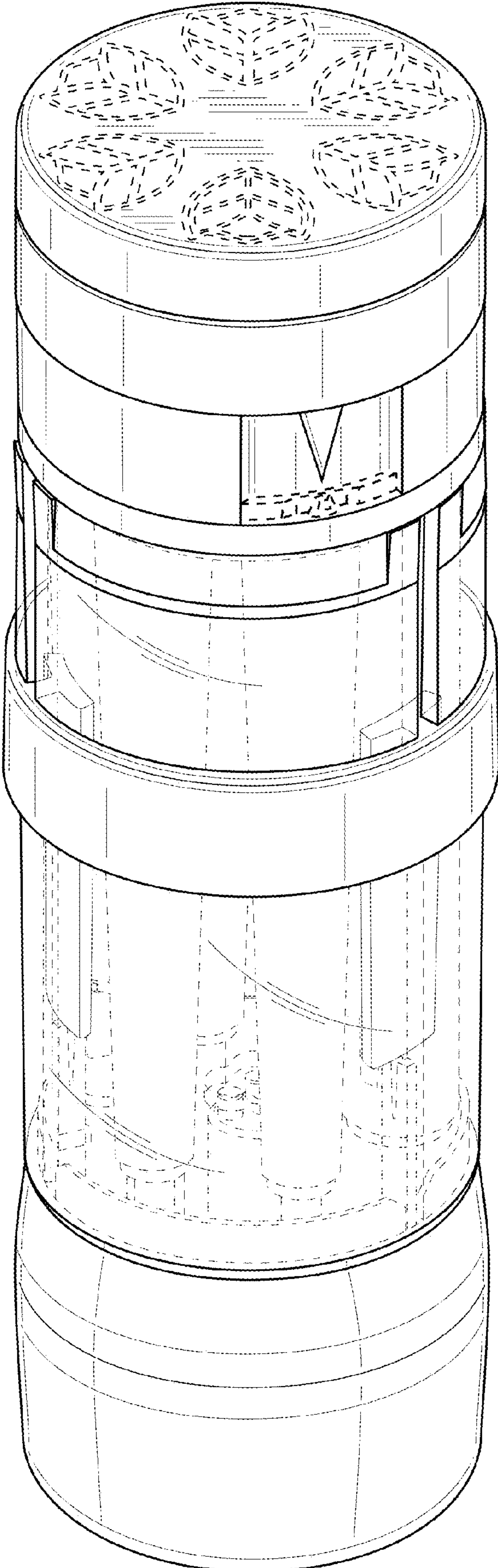


FIG. 1

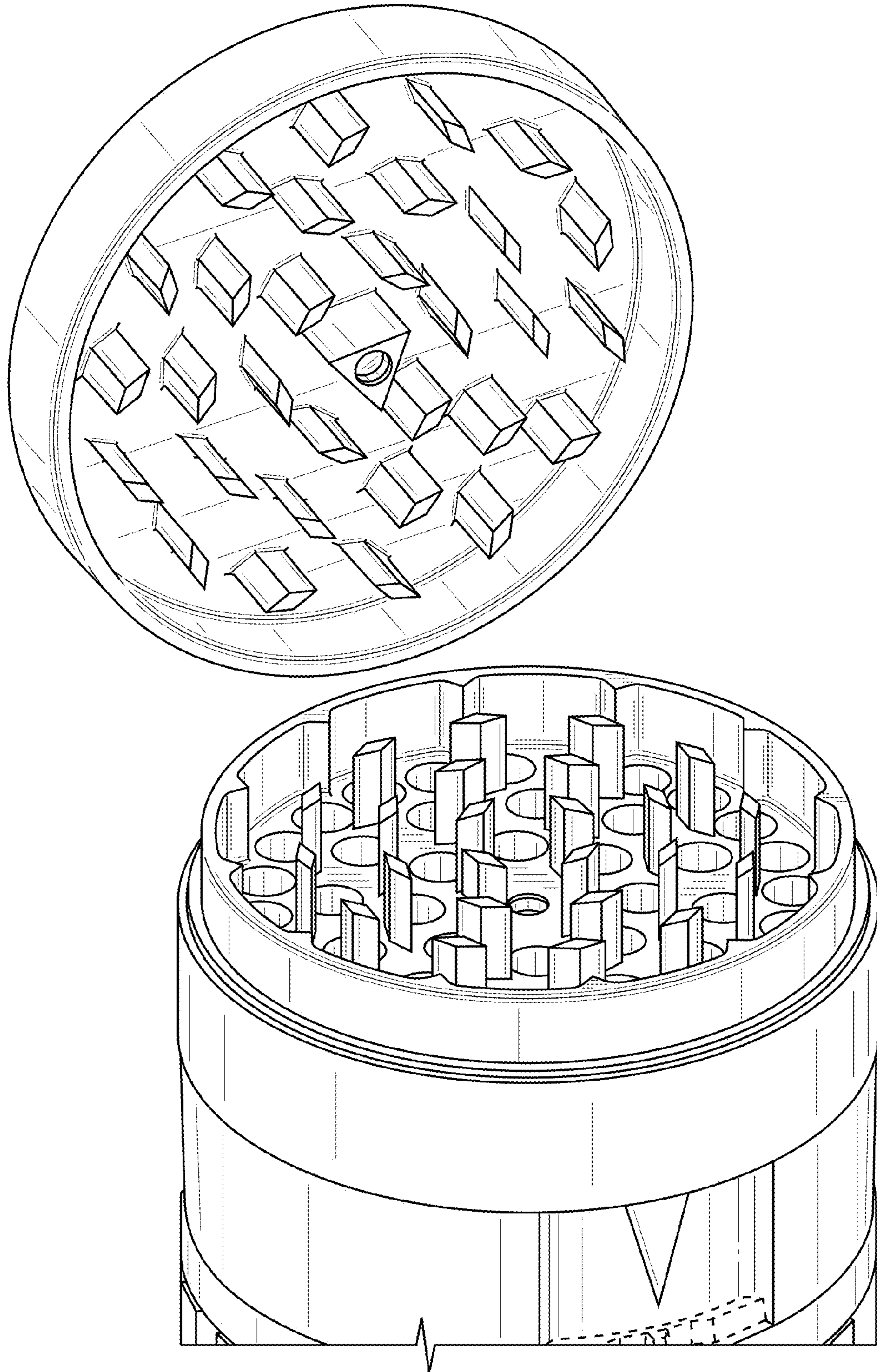


FIG. 2

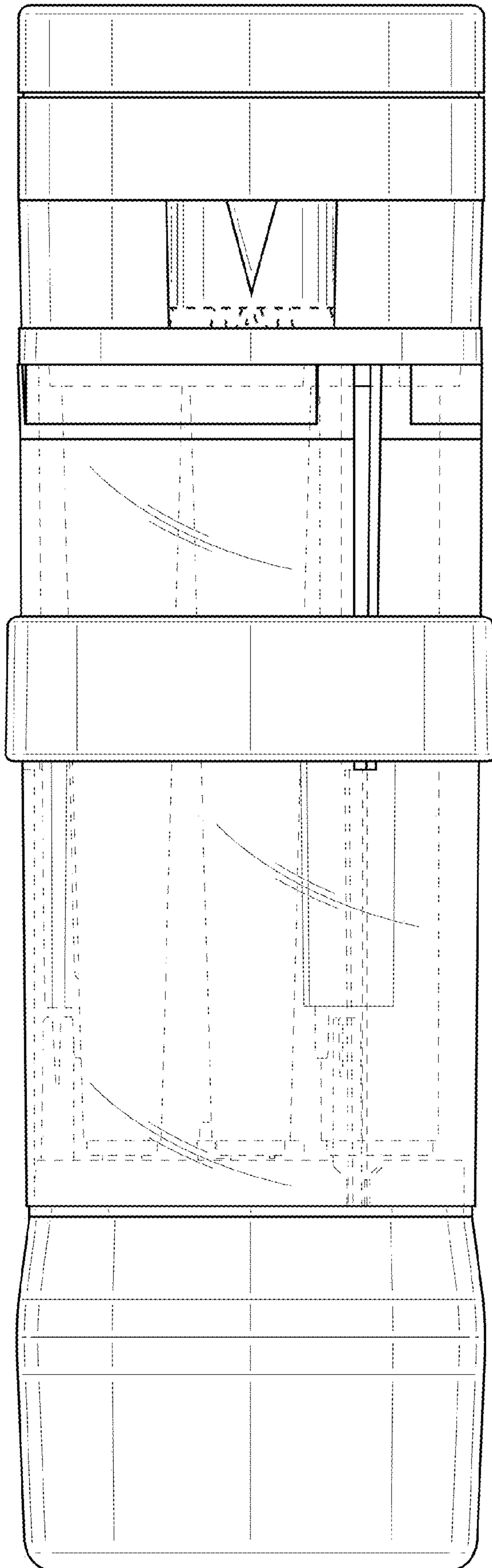


FIG. 3

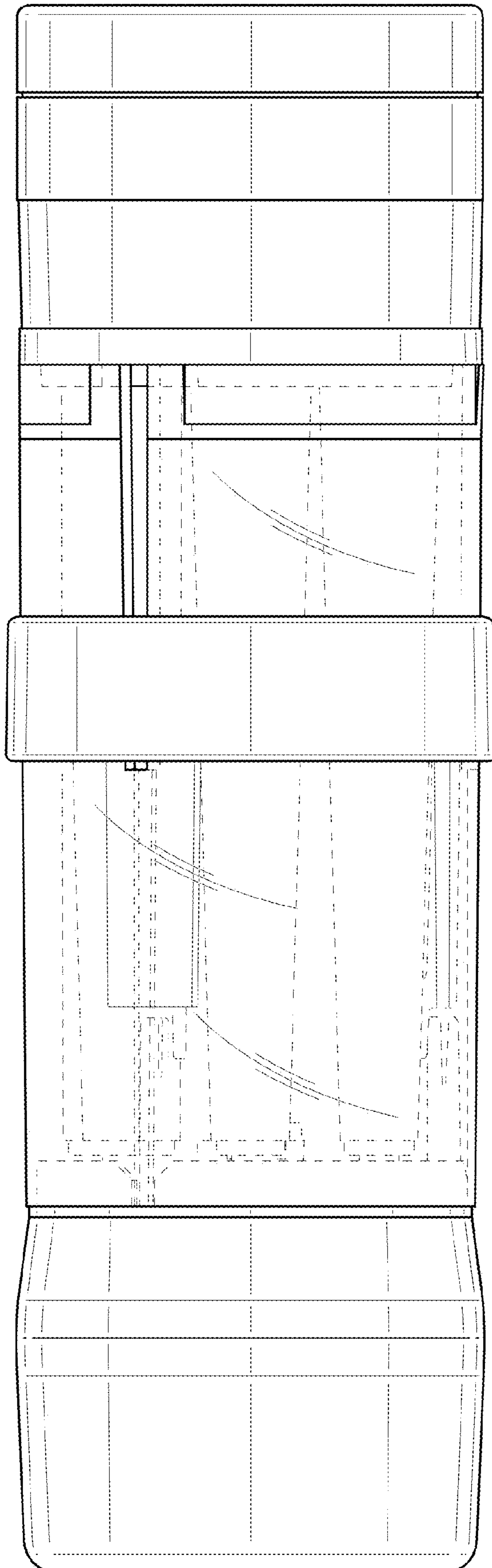


FIG. 4

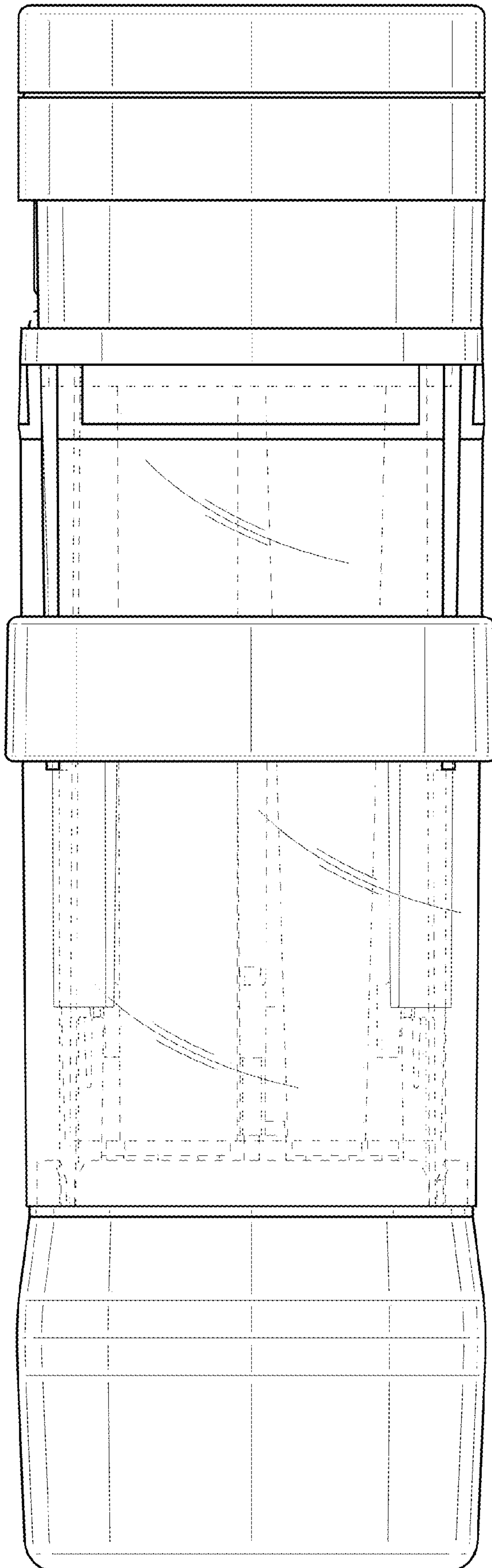


FIG. 5

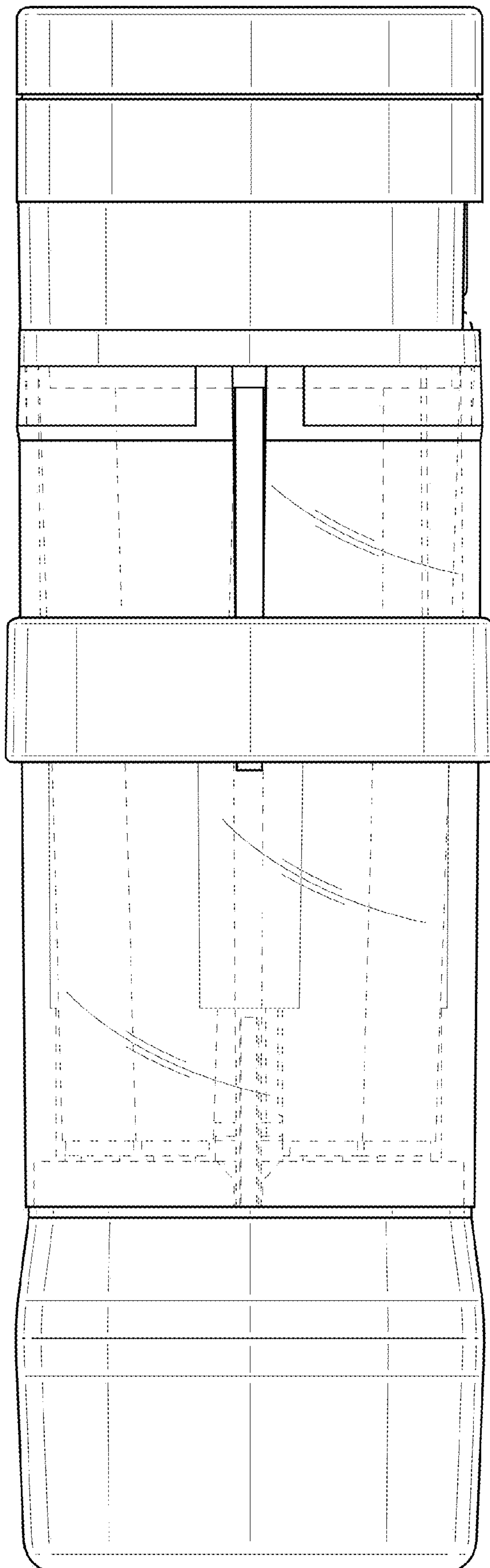


FIG. 6

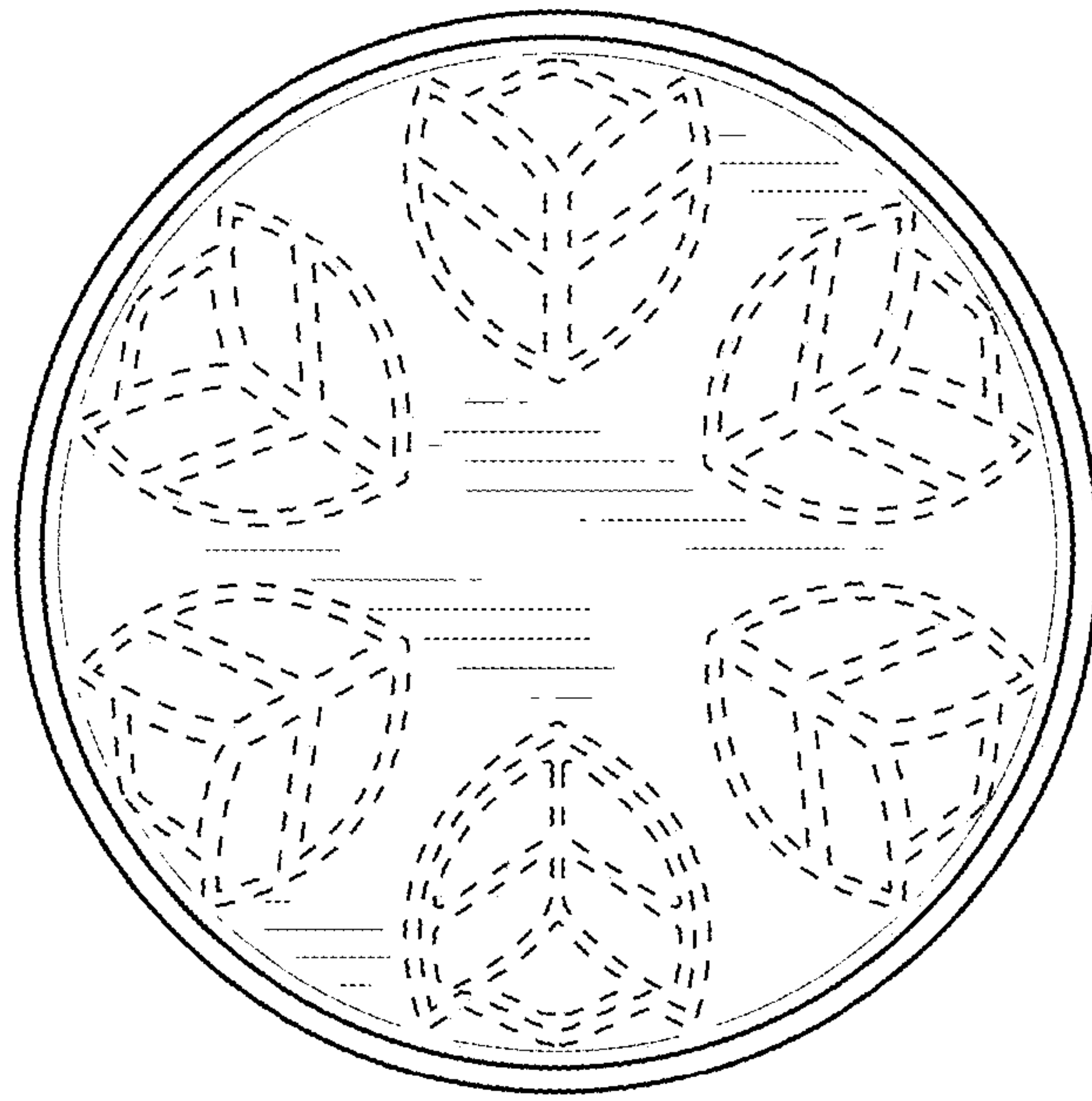


FIG. 7

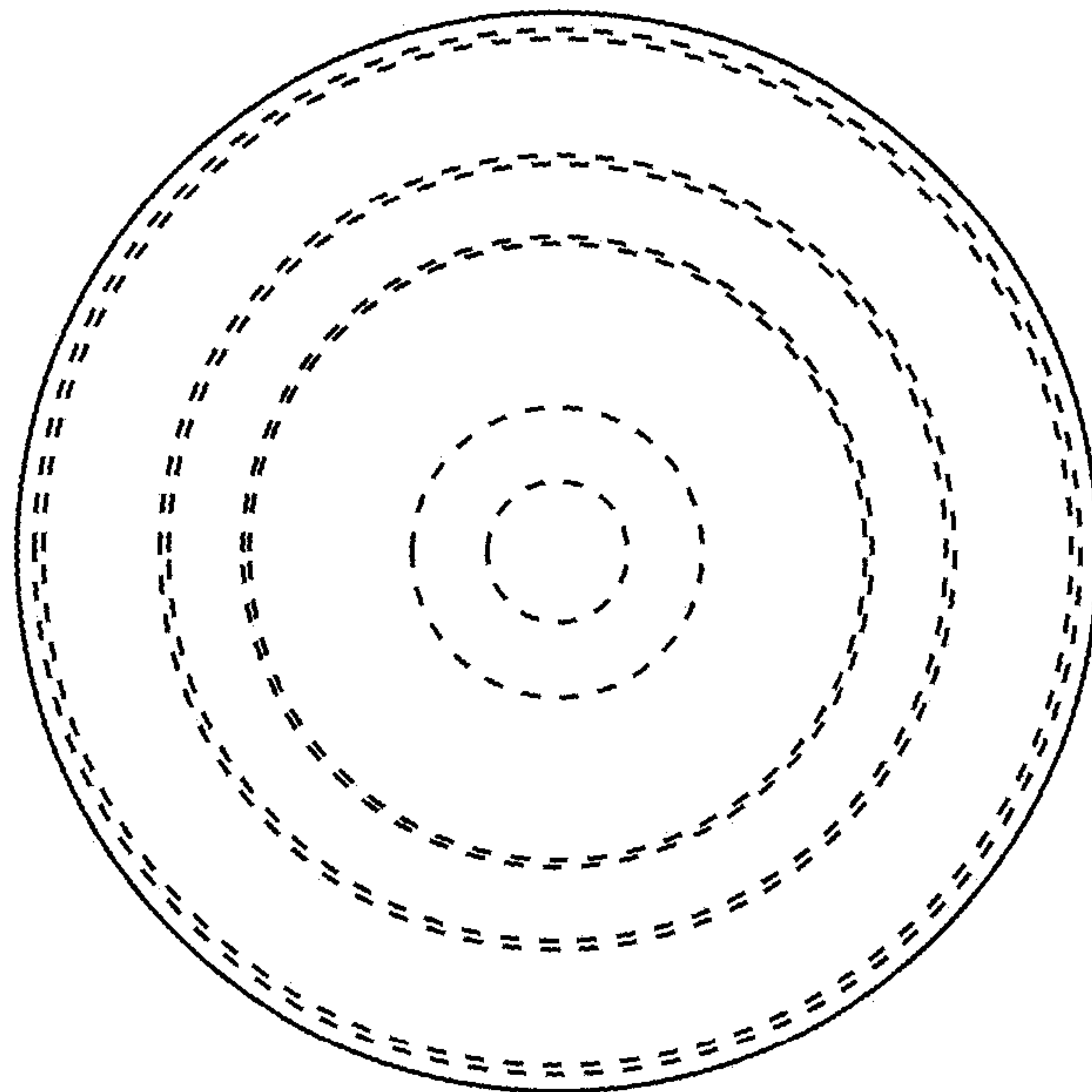


FIG. 8