



US00D952938S

(12) **United States Design Patent** (10) **Patent No.:** **US D952,938 S**
Vila (45) **Date of Patent:** **** May 24, 2022**

(54) **CIGARETTE-MAKING MACHINE**

FOREIGN PATENT DOCUMENTS

(71) Applicant: **REPUBLIC BRANDS L.P.**, Glenview, IL (US)

DE 202012102605 U 10/2013

(72) Inventor: **Santiago Sanchez Vila**, Barcelona (ES)

OTHER PUBLICATIONS

(73) Assignee: **REPUBLIC BRANDS L.P.**, Glenview, IL (US)

Cigarette Maker Tobacco Rolling Machine By: Bugler found on Amazon Jan. 9, 2021 <https://www.amazon.com/Bugler-Shooter-Injector-Cigarette-Tobacco/dp/B071ZN4F3S/ref=> Sep. 6, 2019.*

(**) Term: **15 Years**

(Continued)

(21) Appl. No.: **29/746,829**

Primary Examiner — Rebecca Tsehaye

(22) Filed: **Aug. 18, 2020**

(74) *Attorney, Agent, or Firm* — Michael Best & Friedrich LLP

(51) **LOC (13) Cl.** **27-99**

(57) **CLAIM**

(52) **U.S. Cl.**

I claim the ornamental design for a cigarette-making machine, as shown and described.

USPC **D27/194**

DESCRIPTION

(58) **Field of Classification Search**

USPC D27/194, 100, 172, 183, 184, 186, 187, D27/192

CPC A24C 5/40; A24C 5/42; A24C 5/44; A24C 5/46; A24C 5/465; A24C 5/52; A24C 5/00; A24C 5/02; A24C 5/10; A24C 5/01
See application file for complete search history.

FIG. 1 is a perspective view of a cigarette-making machine. FIG. 2 is a left elevation view of the cigarette-making machine shown in FIG. 1.

FIG. 3 is a right elevation view of the cigarette-making machine shown in FIG. 1.

FIG. 4 is a front elevation view of the cigarette-making machine shown in FIG. 1.

FIG. 5 is a rear elevation view of the cigarette-making machine shown in FIG. 1.

FIG. 6 is a top plan view of the cigarette-making machine shown in FIG. 1; and,

FIG. 7 is a bottom plan view of the cigarette-making machine shown in FIG. 1.

The broken lines consisting of equal length dashed lines in the drawings depict portions of the cigarette-making machine that form no part of the claimed design. The dash-dot-dash broken lines depict the boundary of the cigarette-making machine that forms no part of the claimed design.

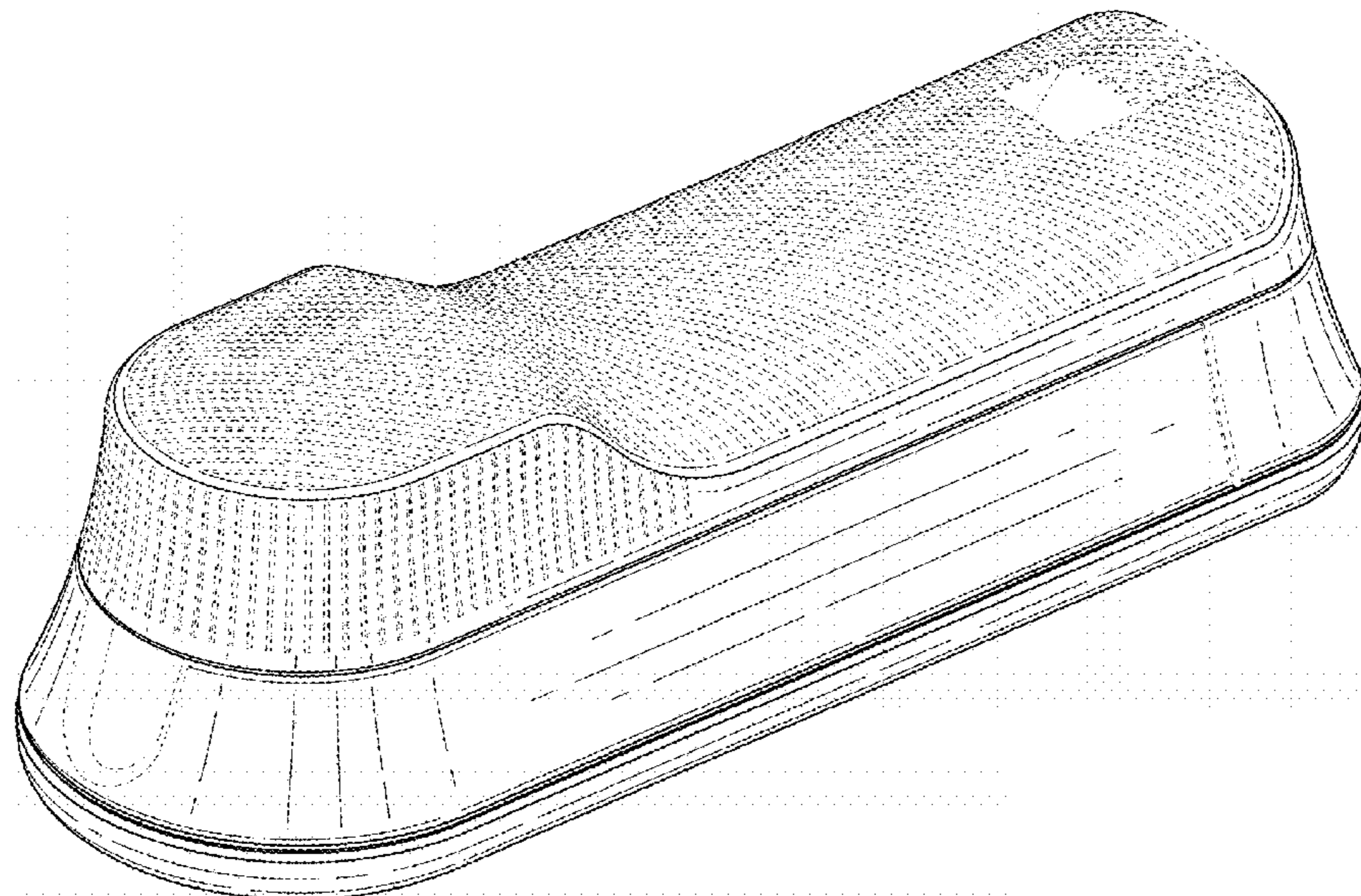
(56) **References Cited**

U.S. PATENT DOCUMENTS

3,741,220	A	6/1973	Meinunger
3,783,882	A	1/1974	Messner et al.
D275,897	S	10/1984	Schutze et al.
4,632,129	A	12/1986	Kastner
4,771,793	A	9/1988	Kastner
5,398,701	A	3/1995	Neumann et al.
5,450,861	A	9/1995	Colani
D366,053	S	1/1996	Neumann et al.
5,657,768	A	8/1997	Neumann et al.
D436,687	S	1/2001	Kastner
6,206,006	B1	3/2001	Schutze et al.
6,345,624	B1	2/2002	Kastner

(Continued)

1 Claim, 6 Drawing Sheets



(56)

References Cited

U.S. PATENT DOCUMENTS

D473,339	S	4/2003	Yu	
6,571,800	B1	6/2003	Yu	
D492,445	S	6/2004	Parcevaux	
D494,315	S	8/2004	Cartier	
6,978,789	B2	12/2005	Garbarino	
7,066,183	B2	6/2006	Parcevaux	
D547,002	S	7/2007	Lin	
D569,033	S	5/2008	Parcevaux	
D570,540	S	6/2008	Feldmann et al.	
D643,973	S	8/2011	Nurnberg	
D665,529	S	8/2012	Malacsina	
D700,398	S *	2/2014	Lin D27/194
D799,750	S *	10/2017	Parcevaux D27/194
D834,248	S *	11/2018	Cordani D27/172
10,231,480	B1	3/2019	Parcevaux	
D875,307	S *	2/2020	Storcks D27/183
2004/0099276	A1	5/2004	Parcevaux	
2004/0200485	A1	10/2004	Garbarino	
2011/0192406	A1	8/2011	Neumann	

OTHER PUBLICATIONS

- Gambler, Cigarette Making Machine, Image Front and Side View, 1 page, publicly available at least as early as May 2, 2007.
- Top, Cigarette Making Machine, Image Front and Side View, 1 page, publicly available at least as early as May 2, 2007.
- Bugler Premium, Cigarette Making Machine, Image Front and Side View, 1 page, publicly available at least as early as May 2, 2007.
- RIZLA+, Cigarette Making Machine, Image Front and Side View, 1 page, publicly available at least as early as May 2, 2007.
- ZIG-ZAG 100s, Cigarette Making Machine, Image Front and Side View, 1 page, publicly available at least as early as May 2, 2007.

* cited by examiner

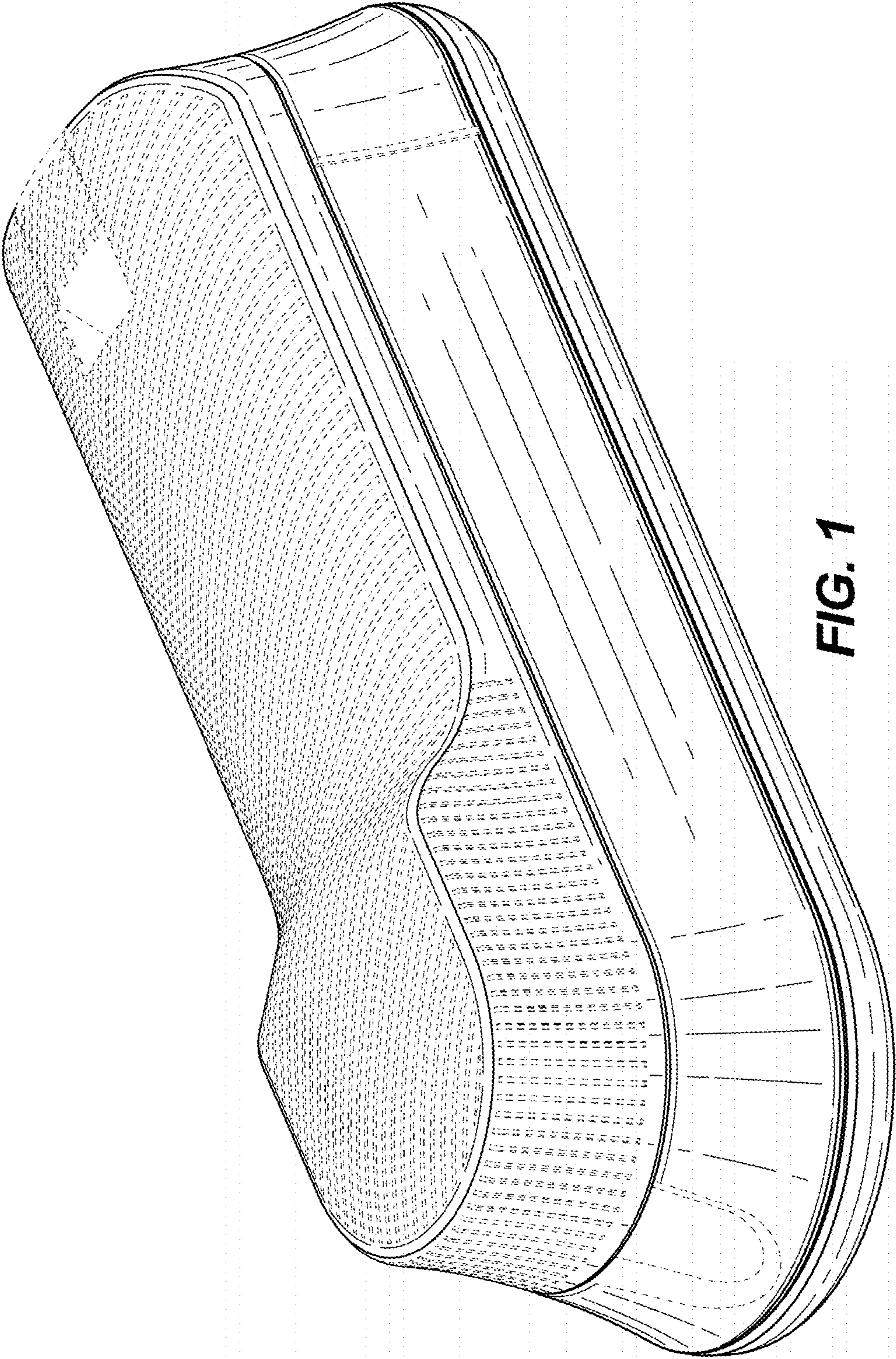


FIG. 1

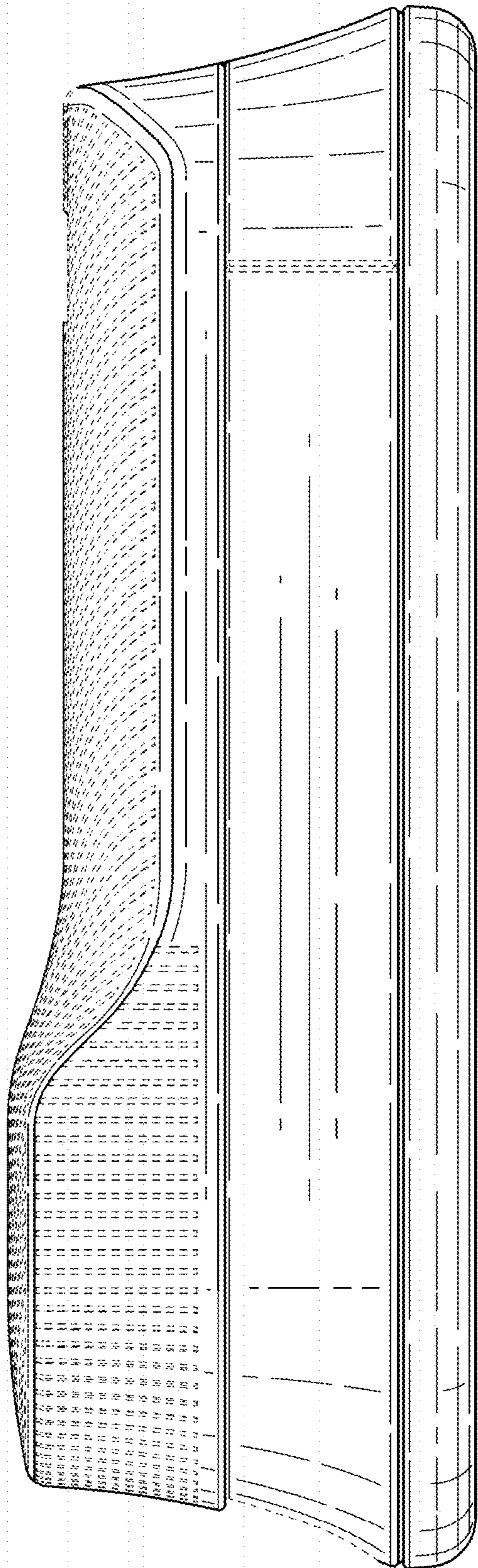


FIG. 2

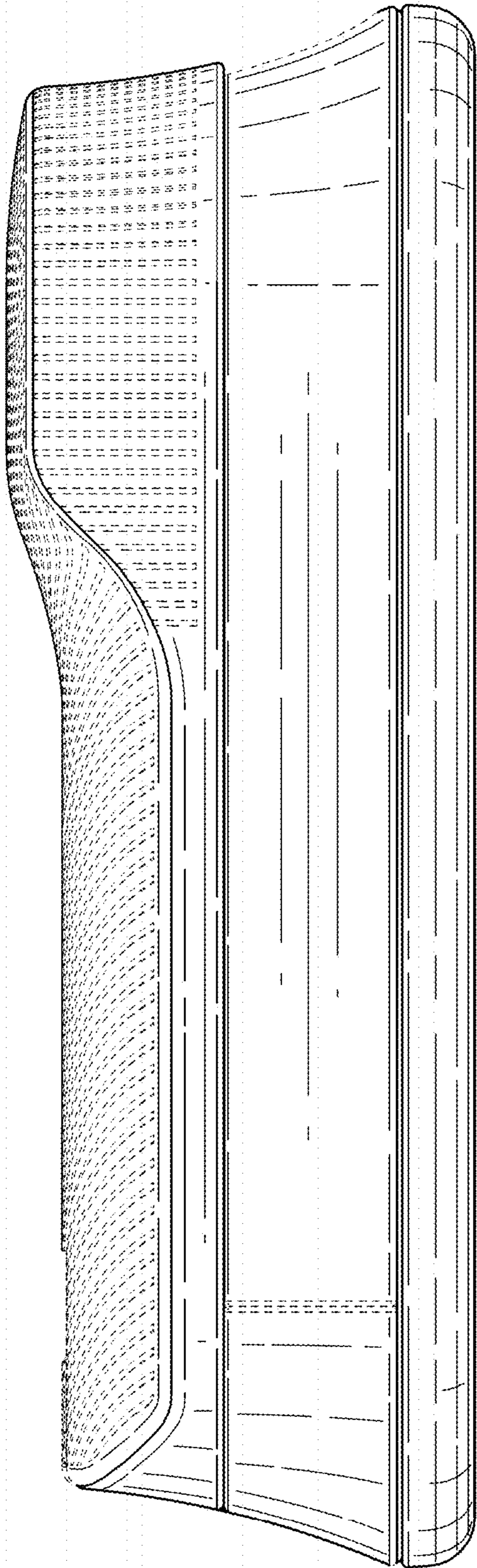


FIG. 3

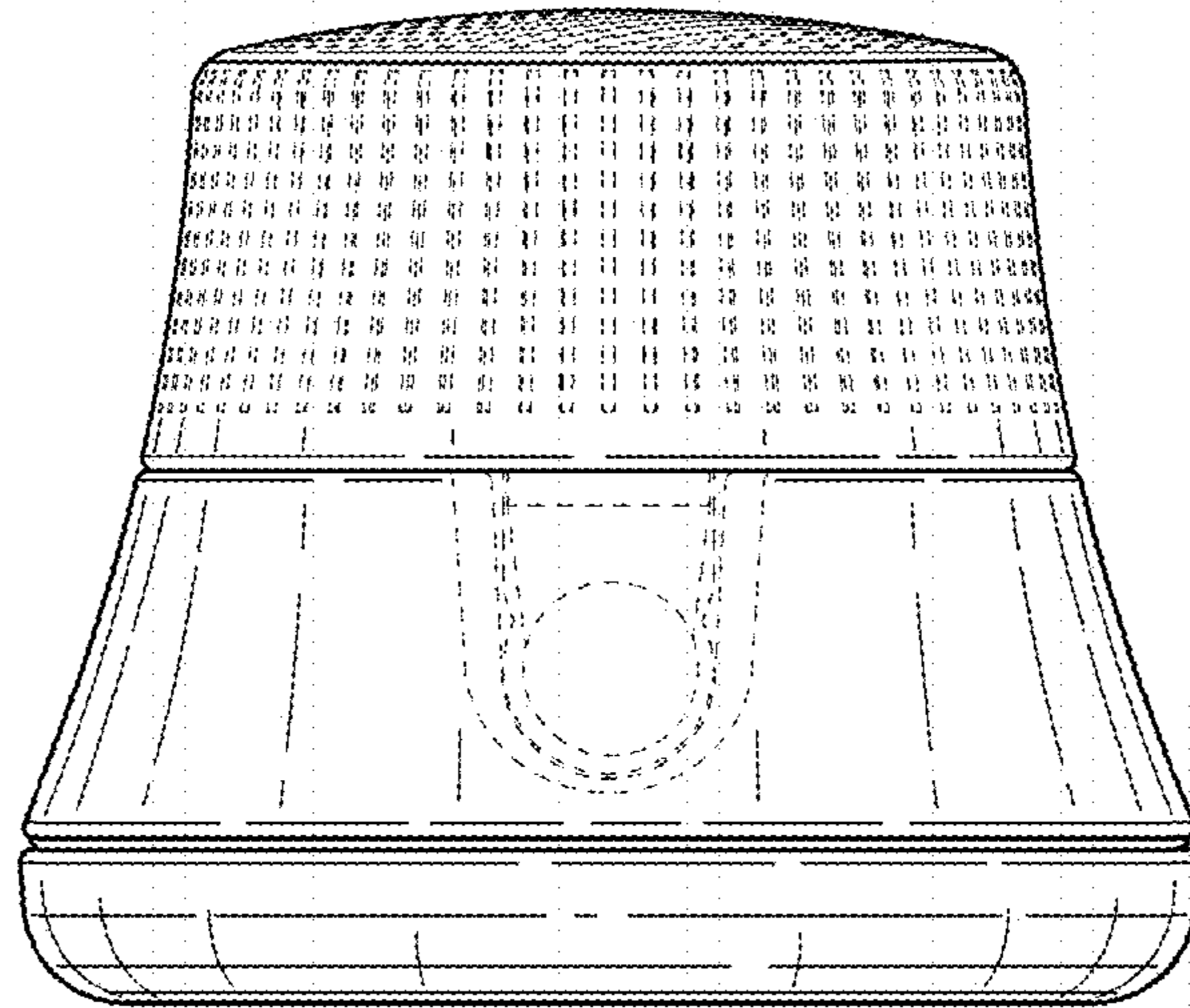


FIG. 4

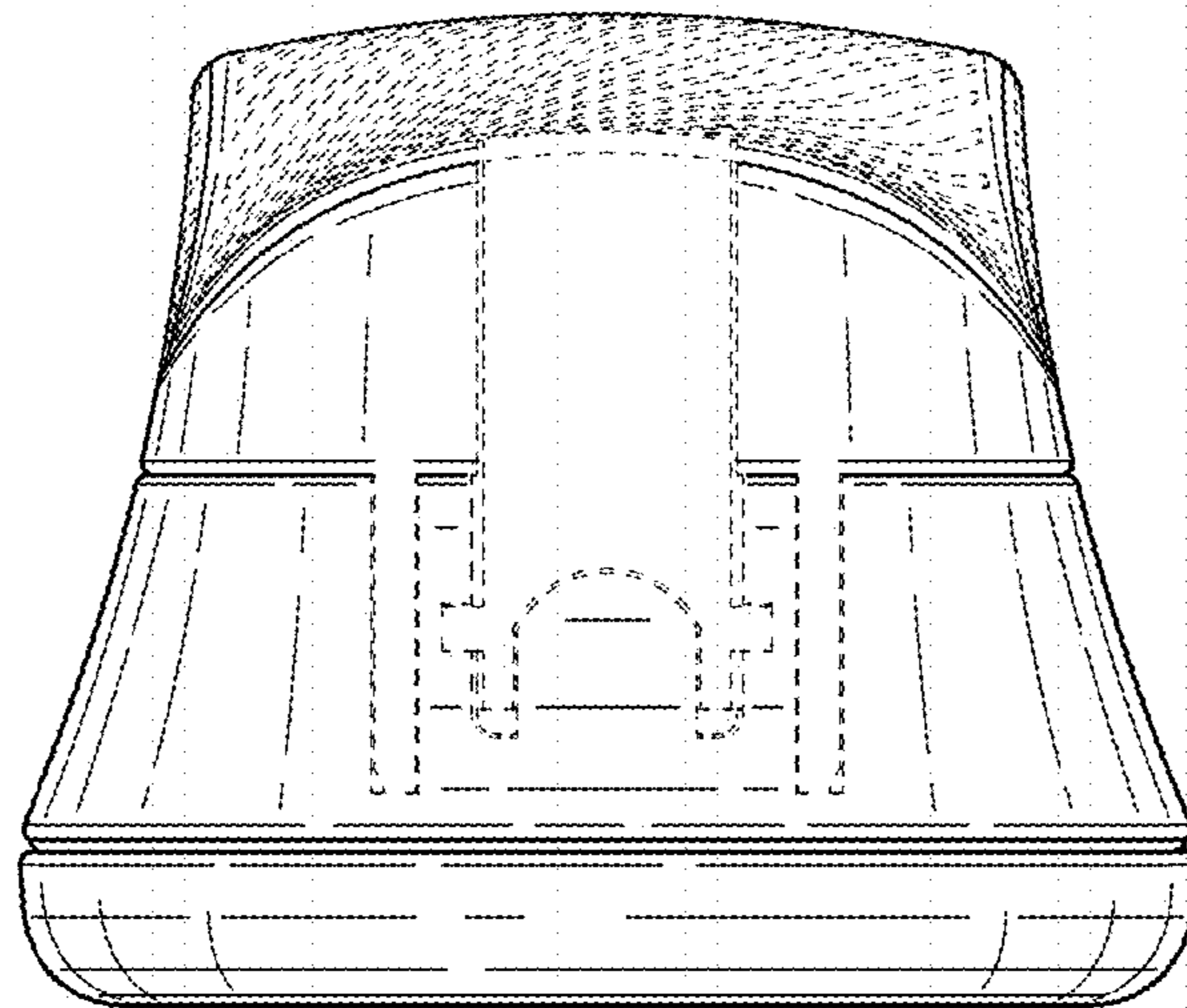


FIG. 5

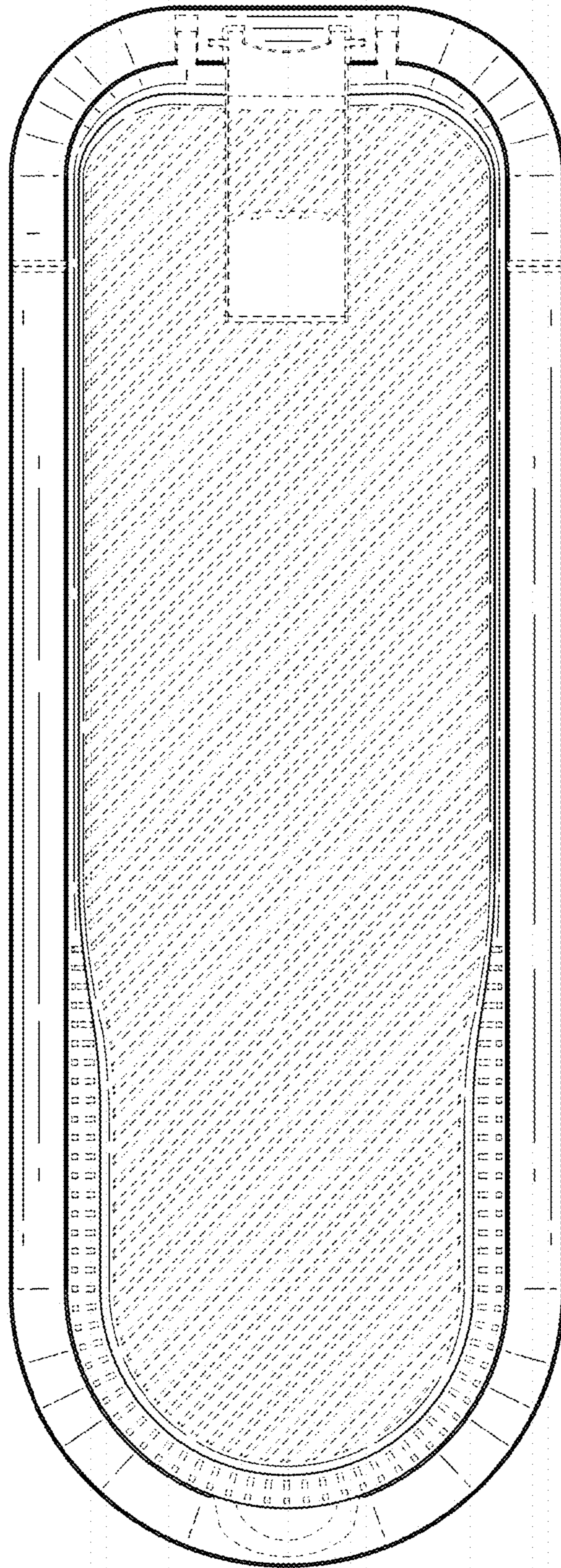


FIG. 6

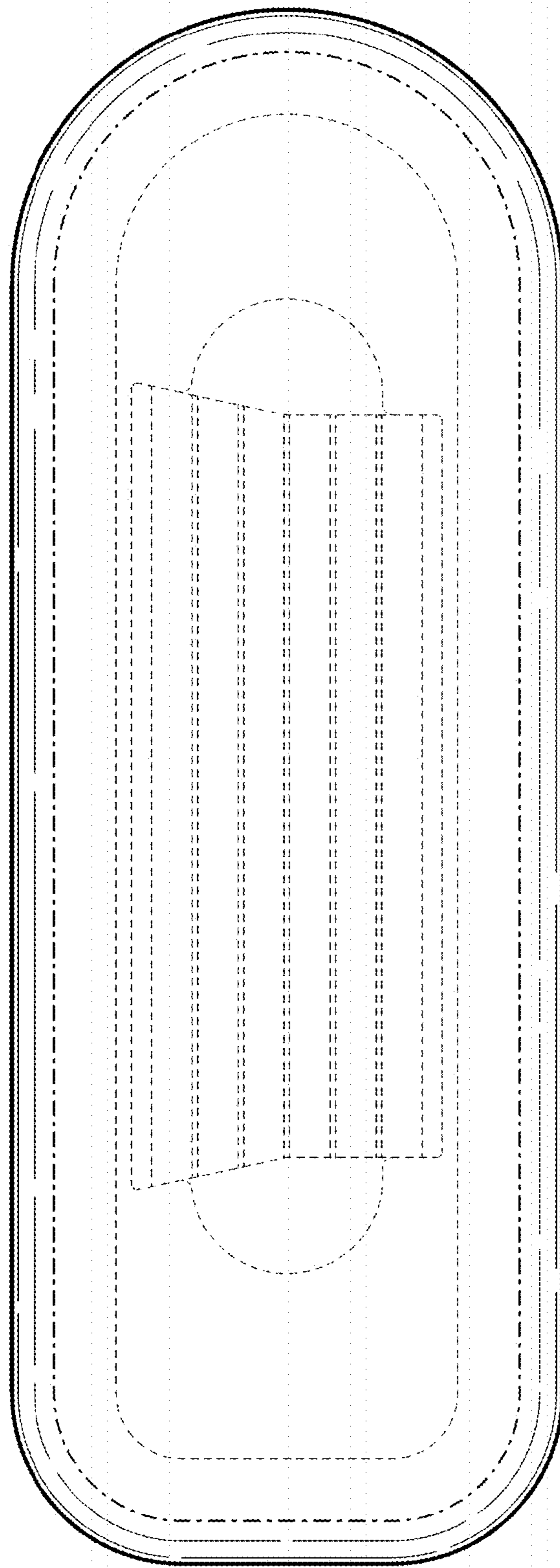


FIG. 7