



US00D952937S

(12) **United States Design Patent** (10) **Patent No.:** **US D952,937 S**
Ouyang (45) **Date of Patent:** **** May 24, 2022**

(54) **ELECTRONIC CIGARETTE**
(71) Applicant: **HONG KONG IVPS INTERNATIONAL LIMITED**,
Central OT (HK)
(72) Inventor: **Junwei Ouyang**, Shenzhen (CN)
(73) Assignee: **HONG KONG IVPS INTERNATIONAL LIMITED**, Hong
Kong (CN)
(**) Term: **15 Years**
(21) Appl. No.: **29/716,619**
(22) Filed: **Dec. 11, 2019**
(30) **Foreign Application Priority Data**
Nov. 25, 2019 (CN) 201930649896.X
(51) **LOC (13) Cl.** **27-02**
(52) **U.S. Cl.**
USPC **D27/162**
(58) **Field of Classification Search**
USPC D27/100, 101, 137, 162, 163, 164, 165,
D27/166, 167, 168, 169, 170, 171, 172,
D27/173, 174, 175, 176, 177, 178, 179,
D27/180, 181, 182, 183, 184, 185, 186,
D27/187, 188, 189, 190, 191, 192, 193,
D27/194, 196; D24/110, 110.4, 110.5,
D24/110.6, 113; D28/91.1; D23/360,
D23/362
CPC A24F 47/008; A24F 40/10; A24F 40/40;
A24F 40/46; A24F 40/42; A24F 40/44;
A24F 47/00; A24F 40/485; A24F 40/48;
A24F 40/70; A24F 40/05; A24F 7/00;
A24F 40/465; A24F 40/49; A24F 40/50;
A24F 47/002; A24F 1/00; A24F 1/02;
A24F 1/32; A24F 40/51; A24F 40/57;
A24F 47/004; A24F 7/02; A24F 9/16;
A24F 40/60; A24F

(Continued)

(56) **References Cited**
U.S. PATENT DOCUMENTS
D758,655 S * 6/2016 Freshwater D27/163
D761,999 S * 7/2016 Liu D27/101
(Continued)

FOREIGN PATENT DOCUMENTS
CN 201530556322 * 6/2016
CN 201730664091 * 8/2018
(Continued)

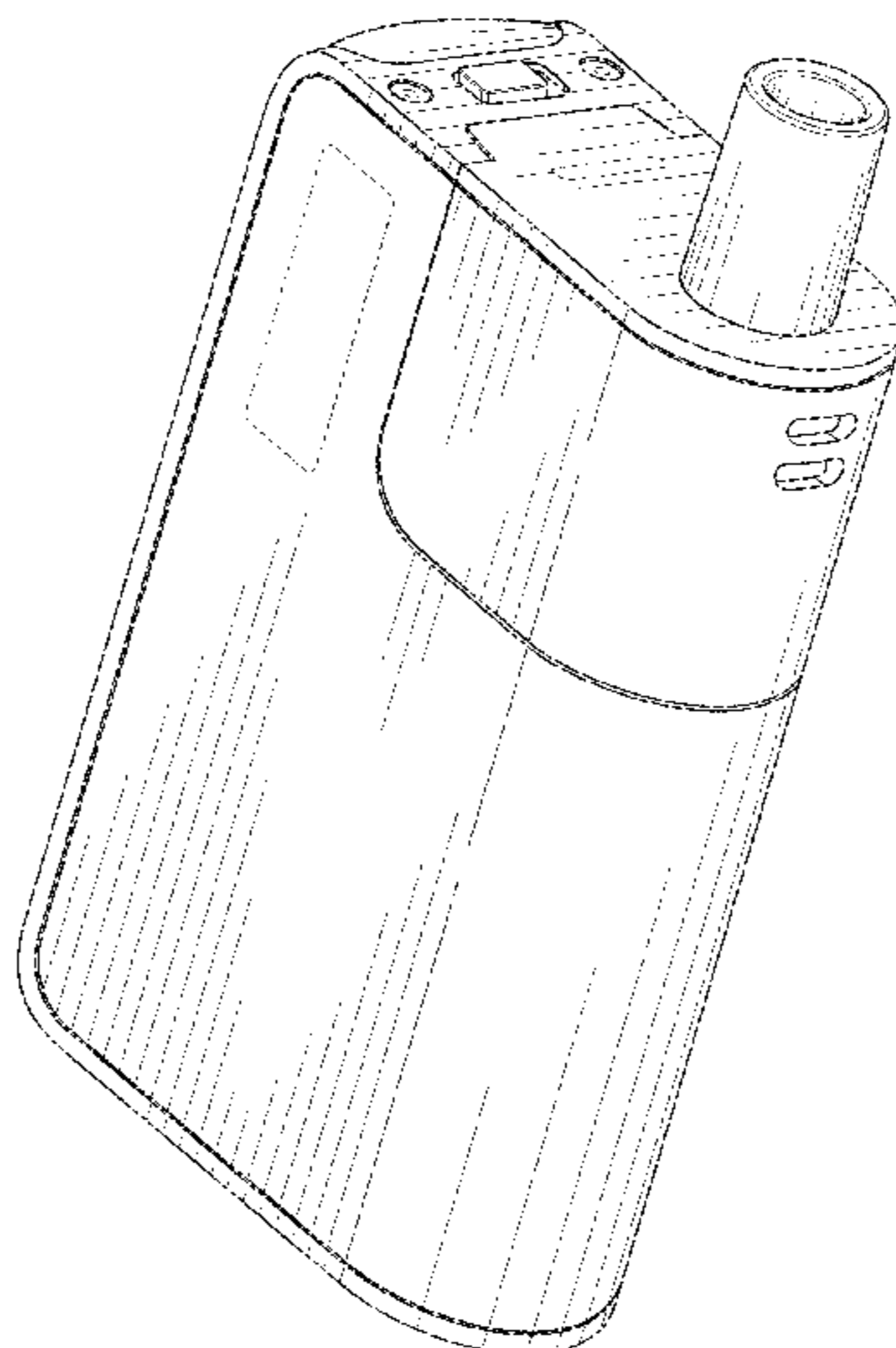
OTHER PUBLICATIONS
OSUB One by Smok Review. By Matt from SMM. Dated Apr. 26,
2017. Found online [Jan. 4, 2020]. https://www.youtube.com/watch?v=_FmDj_S_2a0 (Year: 2017).*

Primary Examiner — Marissa J Cash
Assistant Examiner — William B Melliar
(74) *Attorney, Agent, or Firm* — IP-PAL Patent US;
Klaus Michael Schmid

(57) **CLAIM**
The ornamental design for an electronic cigarette, as shown
and described.

DESCRIPTION
FIG. 1 is a top perspective front View of an electronic
cigarette;
FIG. 2 is a bottom perspective rear View thereof;
FIG. 3 is a front View thereof;
FIG. 4 is a rear View thereof;
FIG. 5 is a top View thereof;
FIG. 6 is a bottom View thereof;
FIG. 7 is a right side View thereof; and,
FIG. 8 is a left side View thereof.
The broken lines in the drawings are for the purpose of
illustrating portions of the electronic cigarette that form no
part of the claimed design.

1 Claim, 7 Drawing Sheets



(58) **Field of Classification Search**

CPC 40/20; A24F 40/65; A24F 40/53; A24F
 40/30; A24F 40/90; A24F 40/95; A24F
 13/00; A24F 15/12; A24F 15/14; A24F
 15/18; A24F 2700/03; A24F 40/85; A24F
 42/20; A24F 42/60; A24F 7/04; A24F
 15/00; A24F 15/015; A24F 40/00

See application file for complete search history.

D802,834 S *	11/2017	Mathias	D27/163
D819,880 S *	6/2018	Qiu	D27/101
D828,622 S *	9/2018	Chen	D27/162
D836,242 S *	12/2018	Xu	D27/162
D844,232 S *	3/2019	Qiu	D27/163
D848,603 S *	5/2019	Fujino	D24/110
D850,714 S *	6/2019	Guo	D27/194
D854,236 S *	7/2019	Qiu	D27/101
D881,455 S *	4/2020	Wright	D27/162
D881,462 S *	4/2020	Wright	D27/162
D914,278 S *	3/2021	Luo	D27/162

(56) **References Cited**

U.S. PATENT DOCUMENTS

D771,867 S *	11/2016	Leidel	D27/163
D773,114 S *	11/2016	Leidel	D27/163
D775,762 S *	1/2017	Chen	D27/101
D788,362 S *	5/2017	Qiu	D27/101
D790,766 S *	6/2017	Li	D27/163
D799,746 S *	10/2017	Leidel	D27/163
D800,377 S *	10/2017	Liu	D27/101

FOREIGN PATENT DOCUMENTS

CN	201930236642.5	* 11/2019
CN	201930338548.0	* 1/2020
CN	201930396179.0	* 3/2020
CN	201930649896.X	* 6/2020
CN	202030004243.9	* 8/2020
CN	20203298081.4	* 10/2020

* cited by examiner

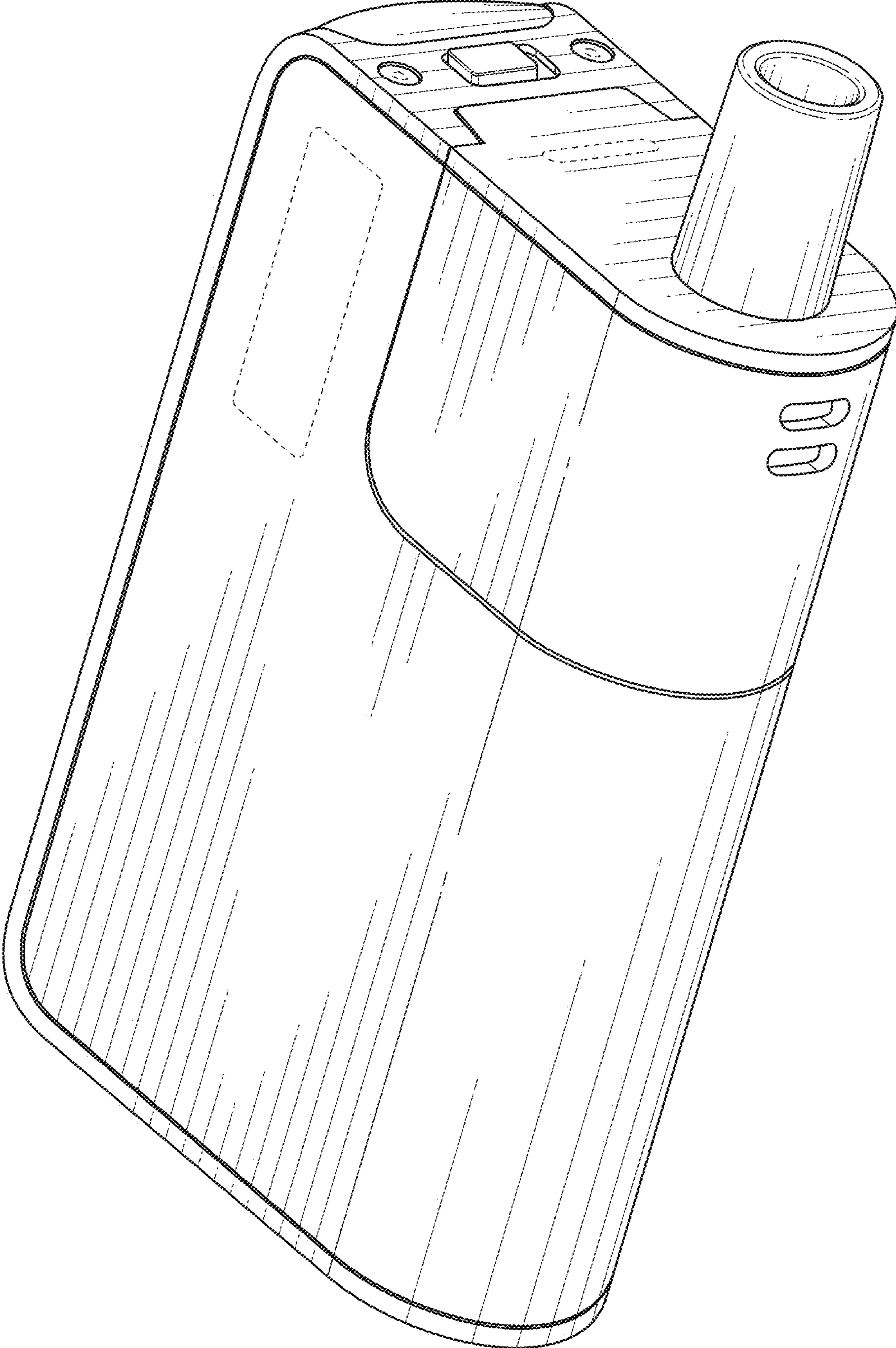


FIG. 1

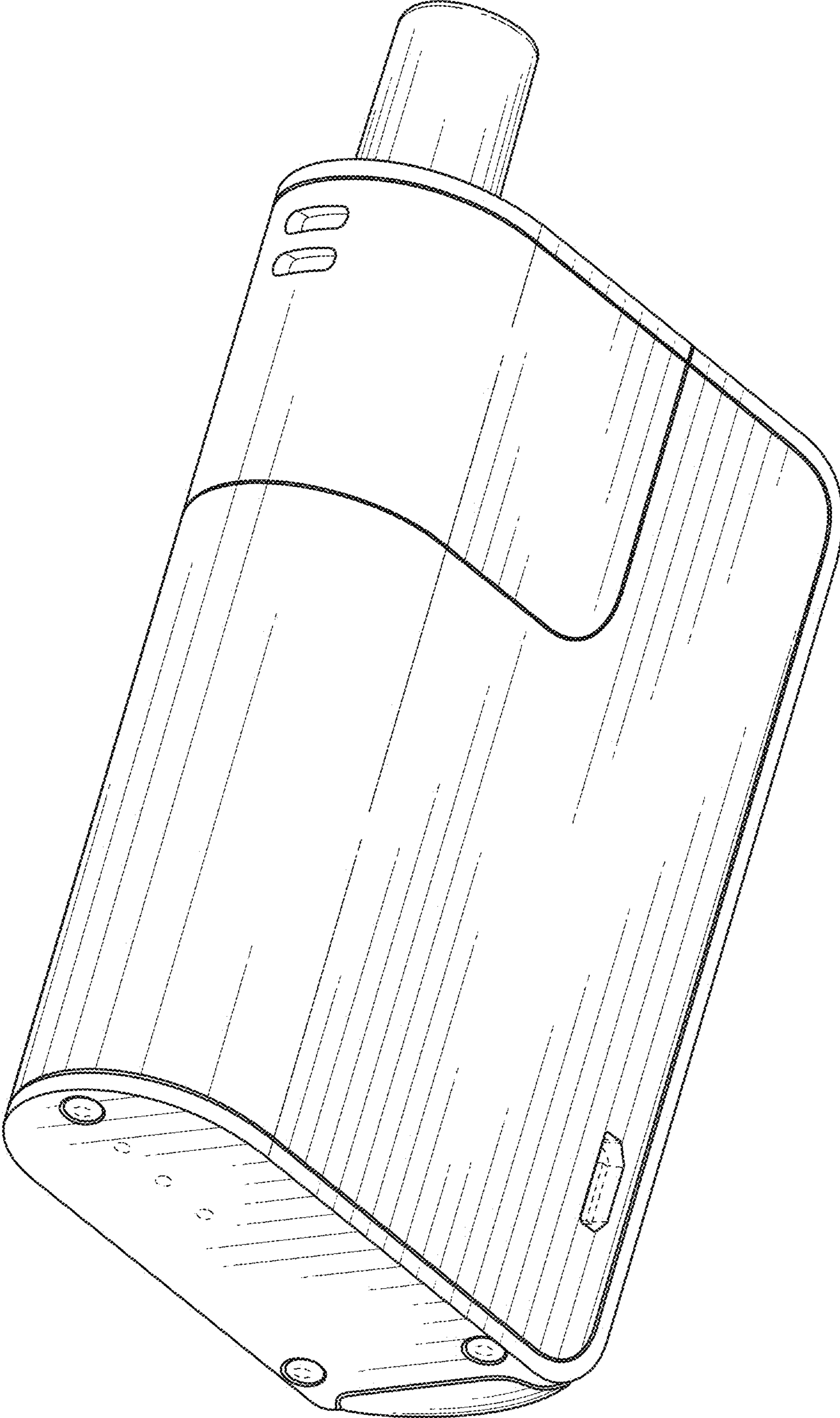


FIG. 2

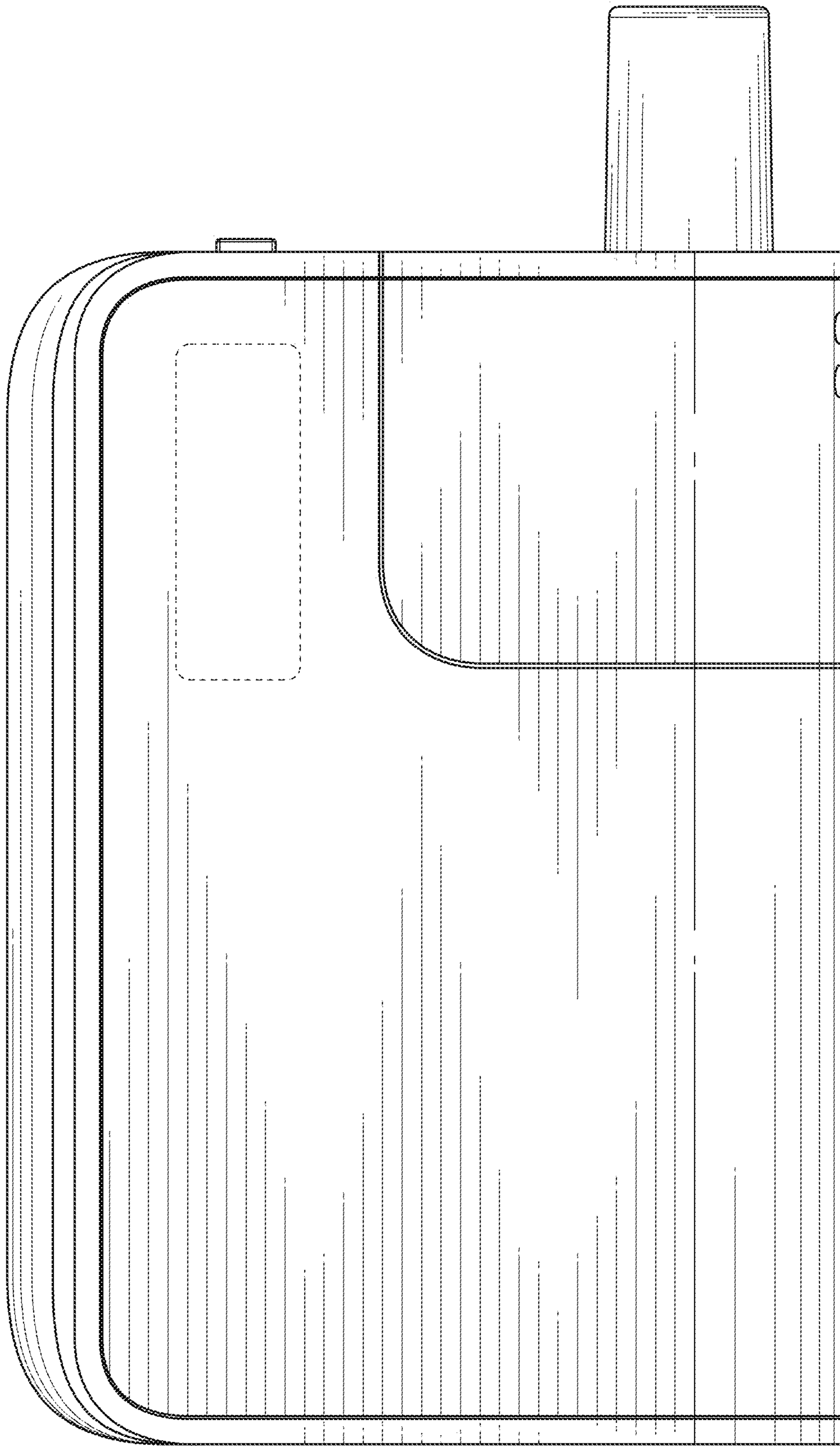


FIG. 3

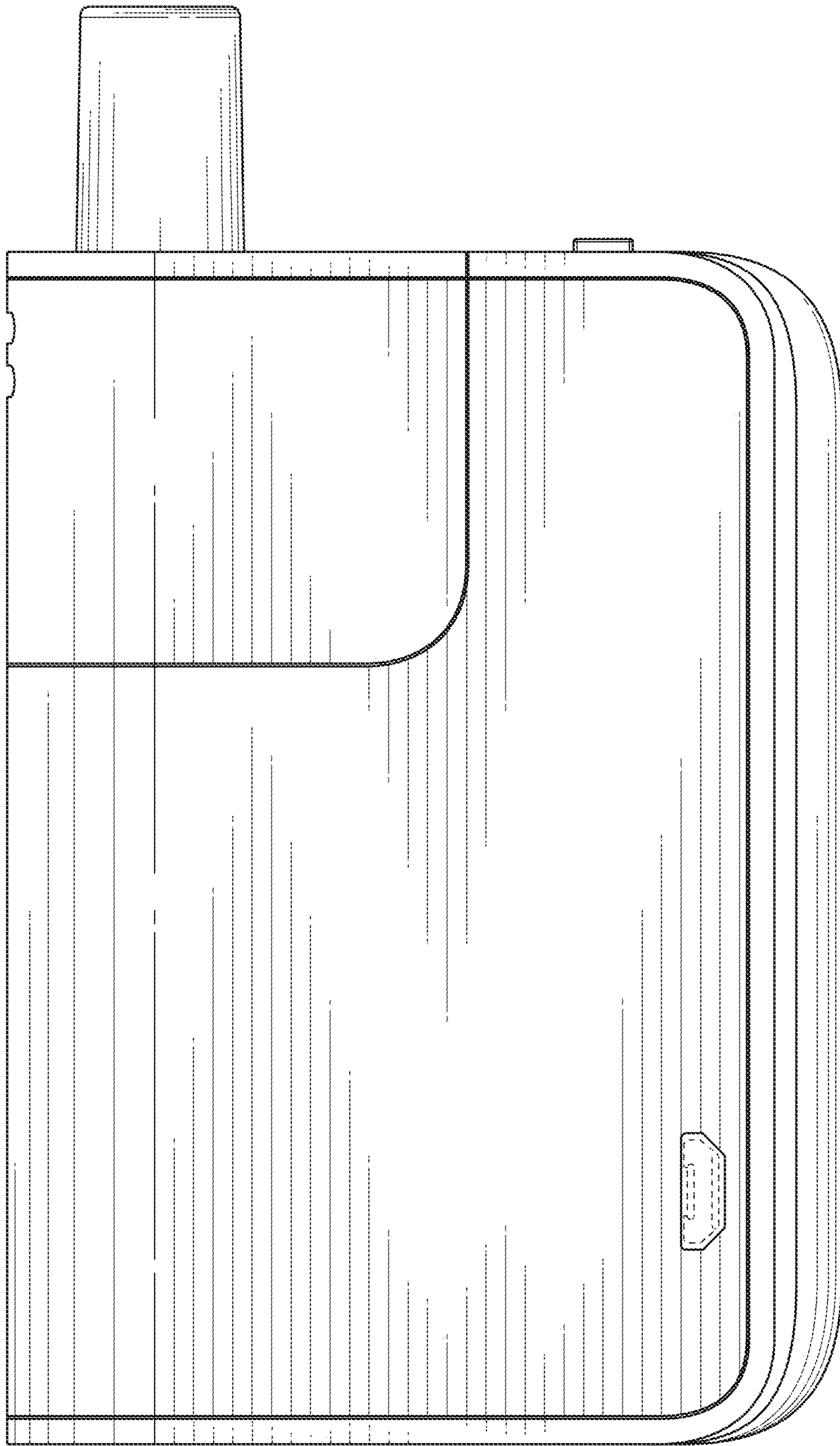


FIG. 4

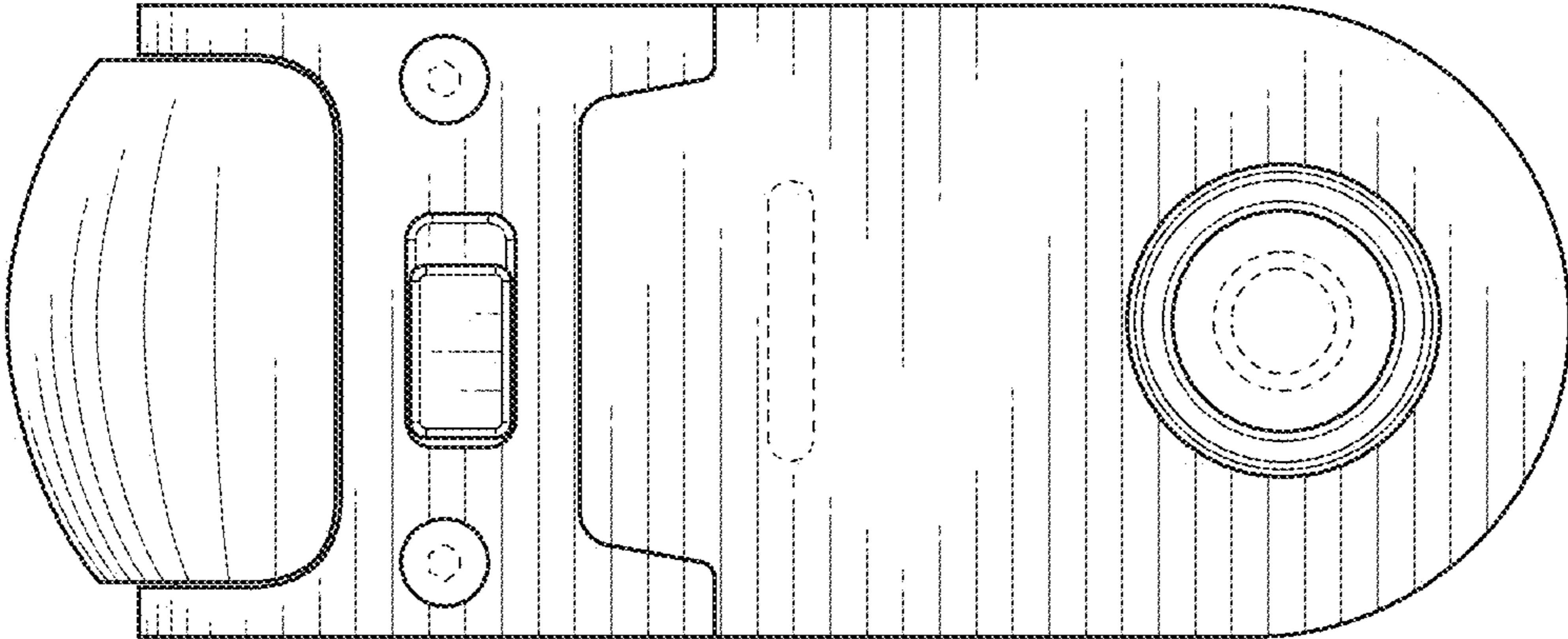


FIG. 5

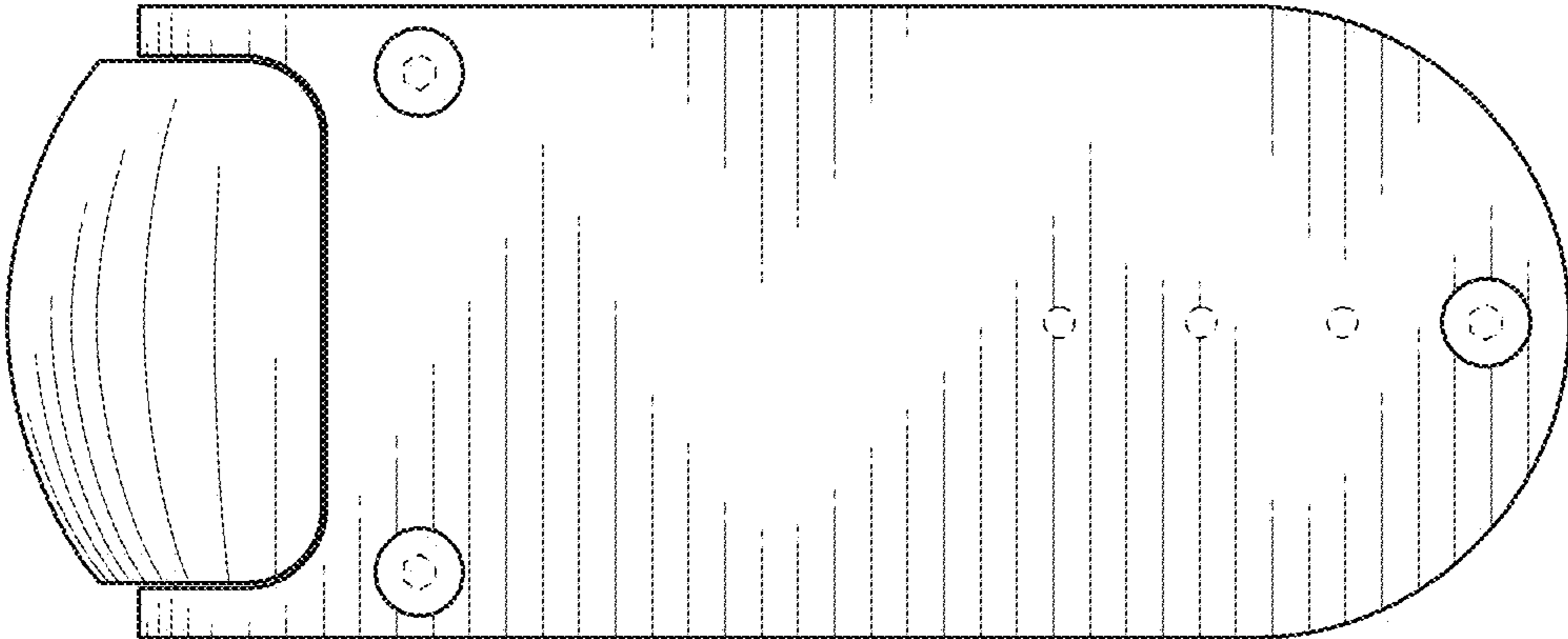


FIG. 6

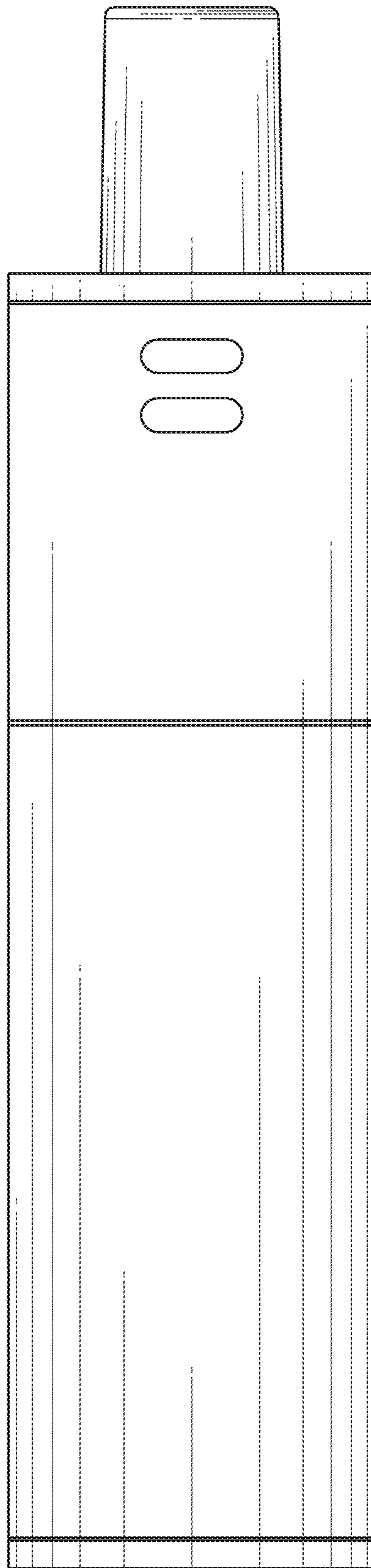


FIG. 7

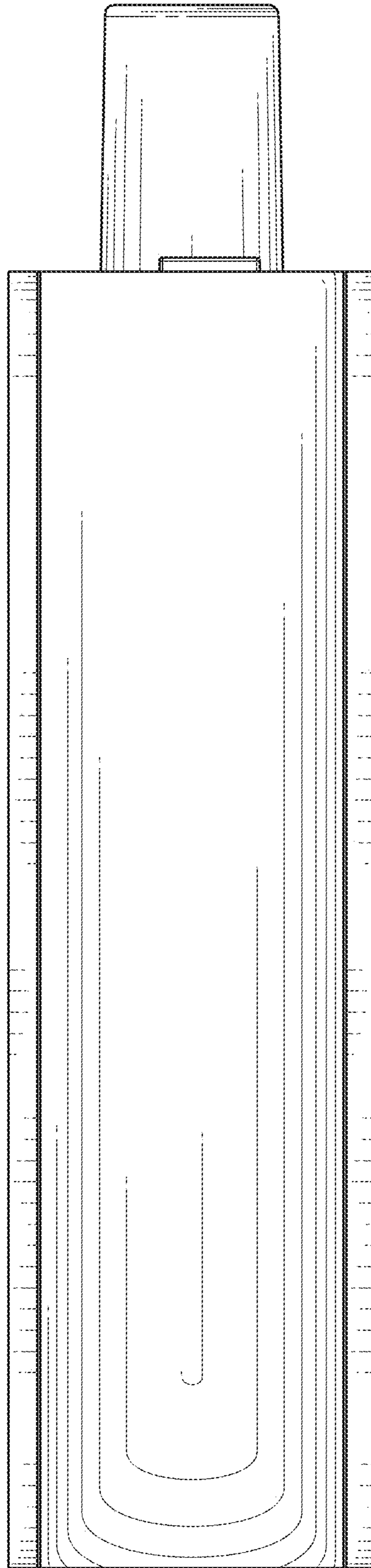


FIG. 8