



US00D952935S

(12) **United States Design Patent** (10) **Patent No.:** **US D952,935 S**
Zhang (45) **Date of Patent:** **** May 24, 2022**

(54) **LAMPSHADE**
(71) Applicant: **Yingping Zhang**, Guangdong (CN)
(72) Inventor: **Yingping Zhang**, Guangdong (CN)
(**) Term: **15 Years**
(21) Appl. No.: **29/761,921**
(22) Filed: **Dec. 14, 2020**
(51) **LOC (13) Cl.** **26-05**
(52) **U.S. Cl.**
USPC **D26/128**
(58) **Field of Classification Search**
USPC D26/24, 72, 73, 74, 80, 83, 85, 88, 89,
D26/104, 105, 118, 119, 122, 123, 124,
D26/128; D7/500, 550.1, 601, 602, 608
CPC F21V 1/00; F21V 1/04; F21V 1/12; F21V
1/14; F21V 1/20; F21V 1/143; F21V
3/00; F21V 3/02; F21V 3/061; F21V
3/0615; F21V 3/0625; F21V 7/00; F21V
7/06; F21V 7/041; F21V 7/043; F21V
15/00; F21V 15/01; F21V 21/02; F21V
21/03
See application file for complete search history.

D494,705 S * 8/2004 Tai D26/128
D535,051 S * 1/2007 Stauffer D26/128
D567,990 S 4/2008 Hsu
D571,034 S * 6/2008 Goetz-Schaefer D26/85
D583,091 S * 12/2008 Benensohn D26/89
D584,850 S * 1/2009 Itiravivong D26/128
D607,138 S * 12/2009 Pickett D26/128
D607,144 S 12/2009 Chen
D611,649 S 3/2010 Chen
D641,922 S * 7/2011 Sabernig D26/120
D643,967 S * 8/2011 Sternotte D26/88
D681,249 S * 4/2013 Tom D26/59
D684,298 S 6/2013 Lin
D684,303 S 6/2013 Lin
D685,521 S 7/2013 Lin
D699,885 S * 2/2014 Sabernig D26/89
D787,110 S * 5/2017 Hood D26/119
D874,052 S * 1/2020 Lavin F21V 21/04
D876,901 S * 3/2020 Cheng D7/586
D909,656 S * 2/2021 Ng D26/89

* cited by examiner

Primary Examiner — Wan Laymon
Assistant Examiner — Clint A Samuel

(57) **CLAIM**

The ornamental design for a lampshade, as shown and described.

(56) **References Cited**

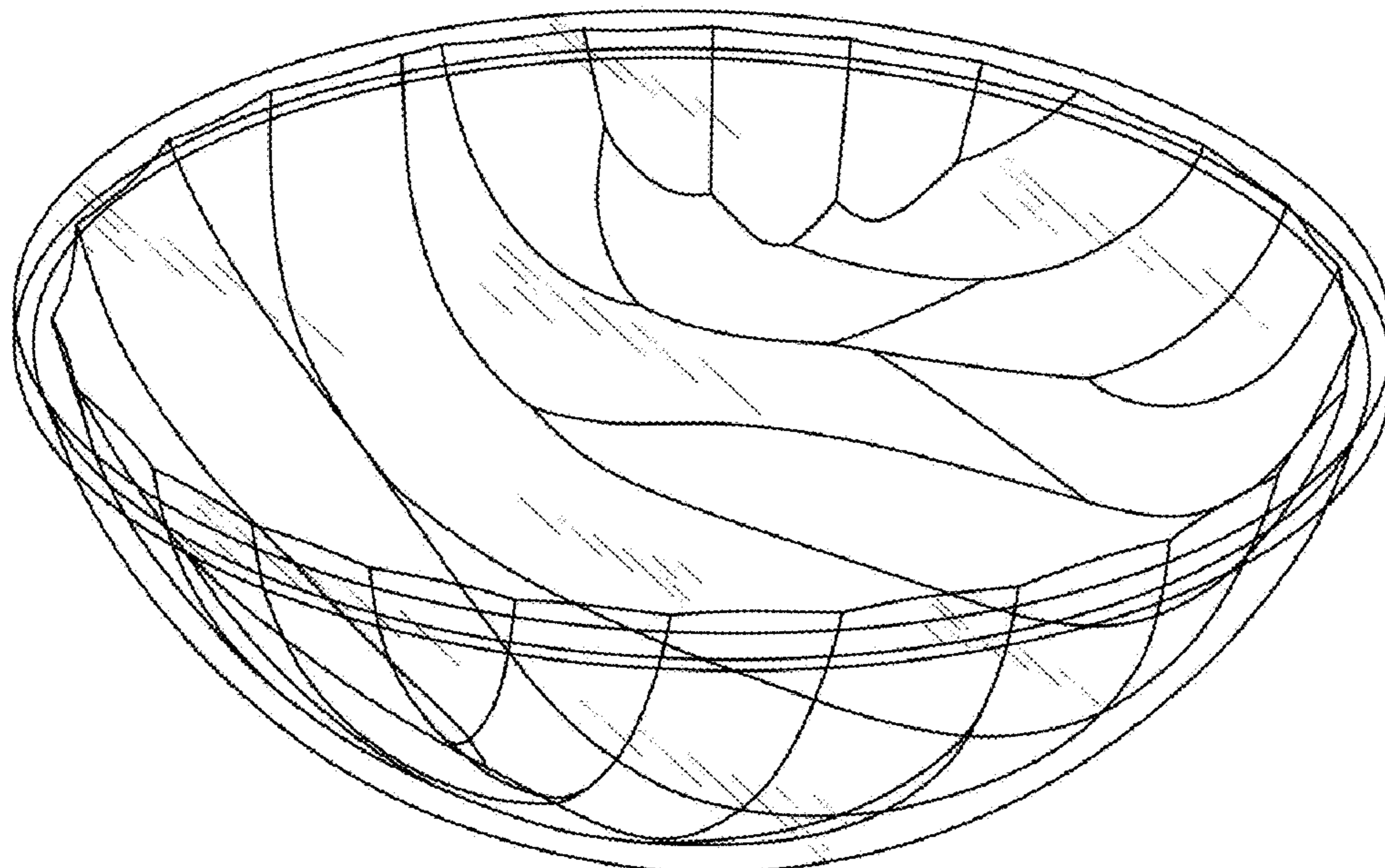
U.S. PATENT DOCUMENTS

D373,009 S * 8/1996 Hsu D26/134
D406,917 S * 3/1999 Chen D26/134
D413,405 S * 8/1999 Hsu D26/134
D426,339 S * 6/2000 Chen D26/142
D431,669 S * 10/2000 Milicia D26/122
D447,830 S * 9/2001 Hsu D26/85
D466,640 S * 12/2002 Hsu D26/131
D466,641 S * 12/2002 Hsu D26/134
D466,642 S * 12/2002 Hsu D26/134
D467,031 S * 12/2002 Hsu D26/134

DESCRIPTION

FIG. 1 is a perspective view of a lampshade showing my new design;
FIG. 2 is a front elevation view thereof;
FIG. 3 is a rear elevation view thereof;
FIG. 4 is a left side elevation view thereof;
FIG. 5 is a right side elevation view thereof;
FIG. 6 is a top plan view thereof; and,
FIG. 7 is a bottom plan view thereof.

1 Claim, 7 Drawing Sheets



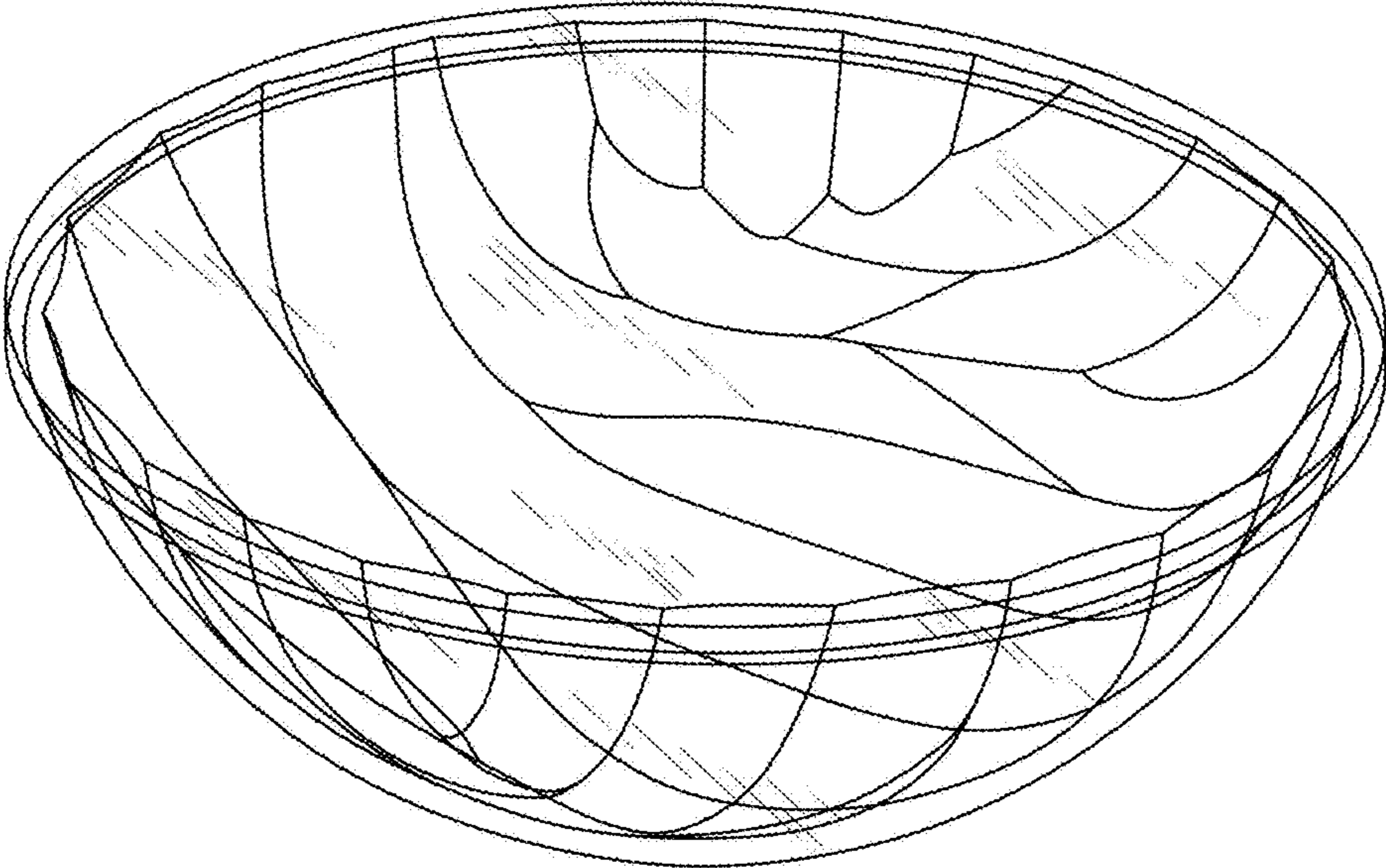


FIG.1

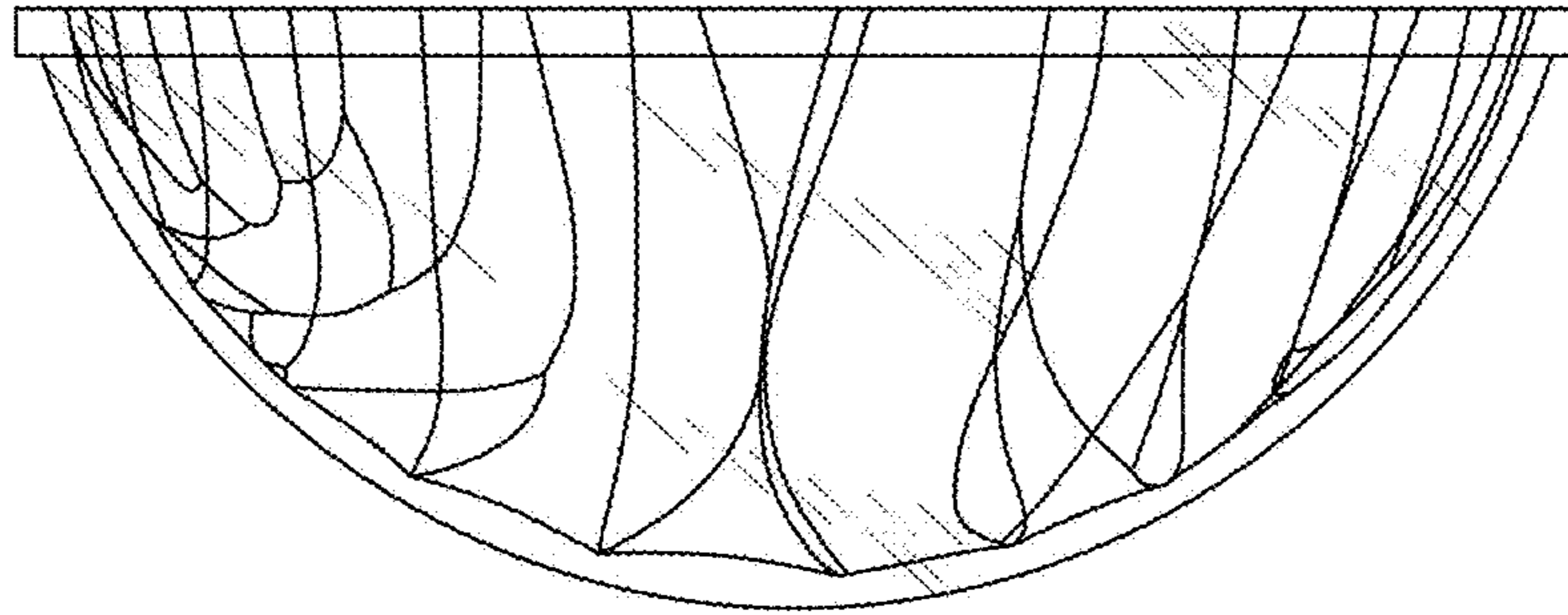


FIG.2

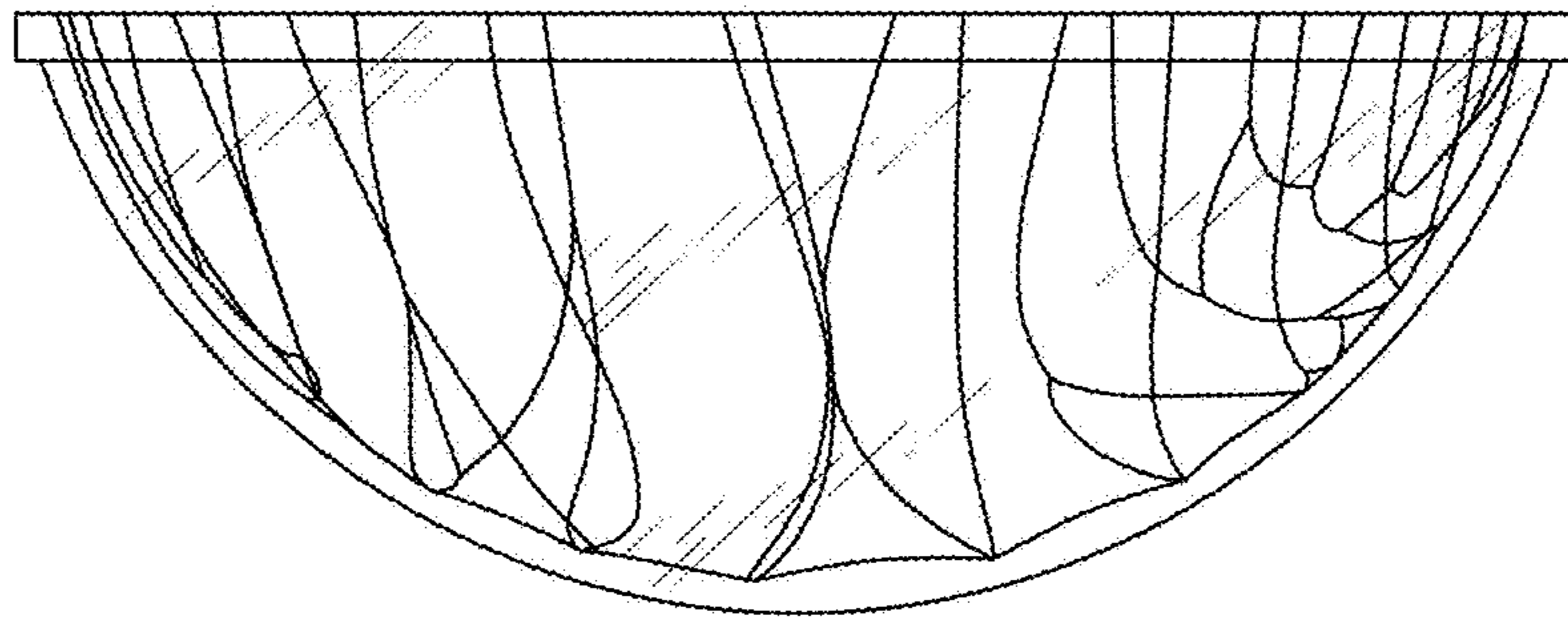


FIG.3

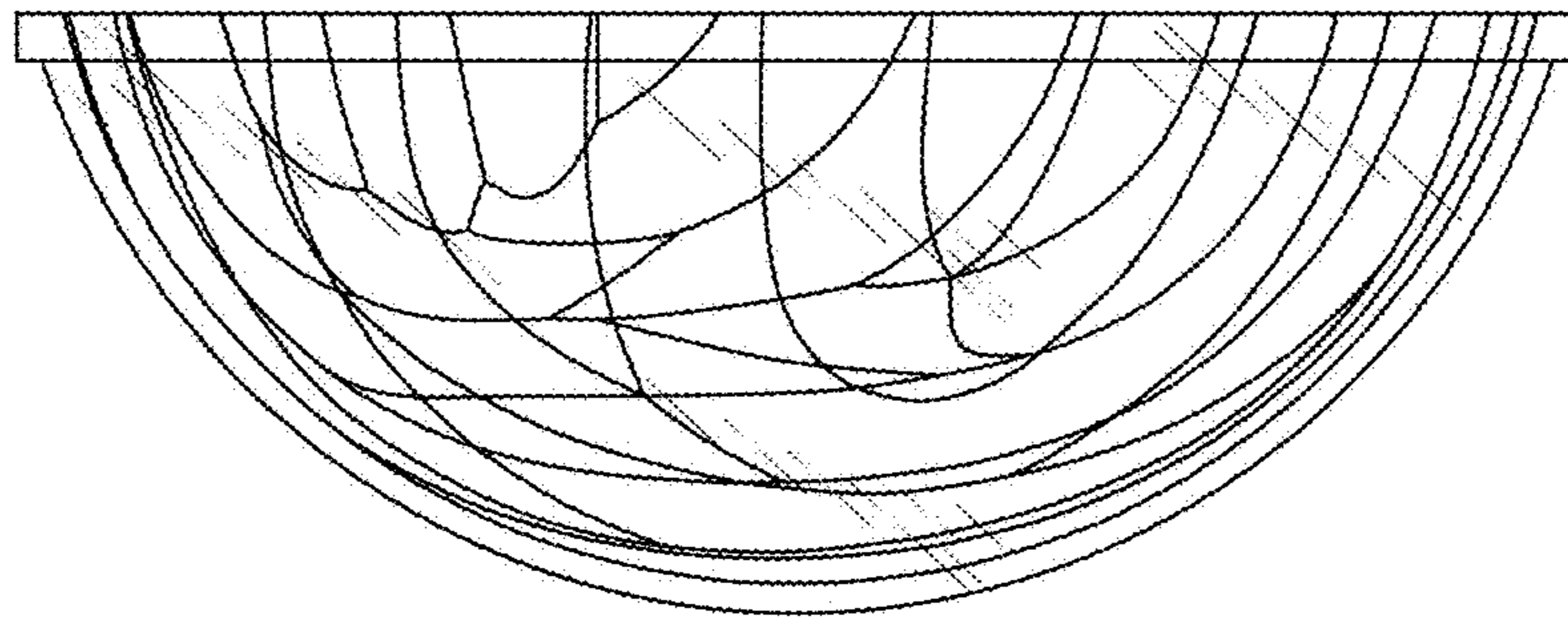


FIG.4

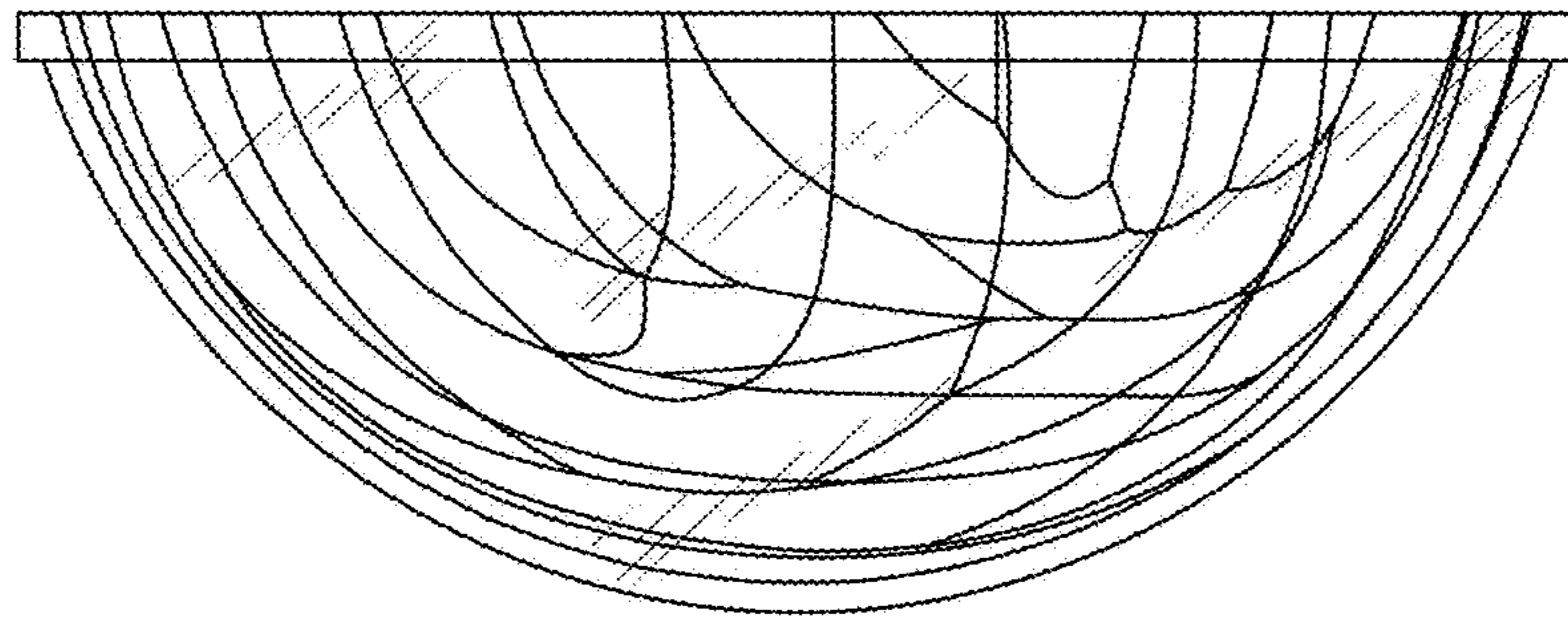


FIG.5

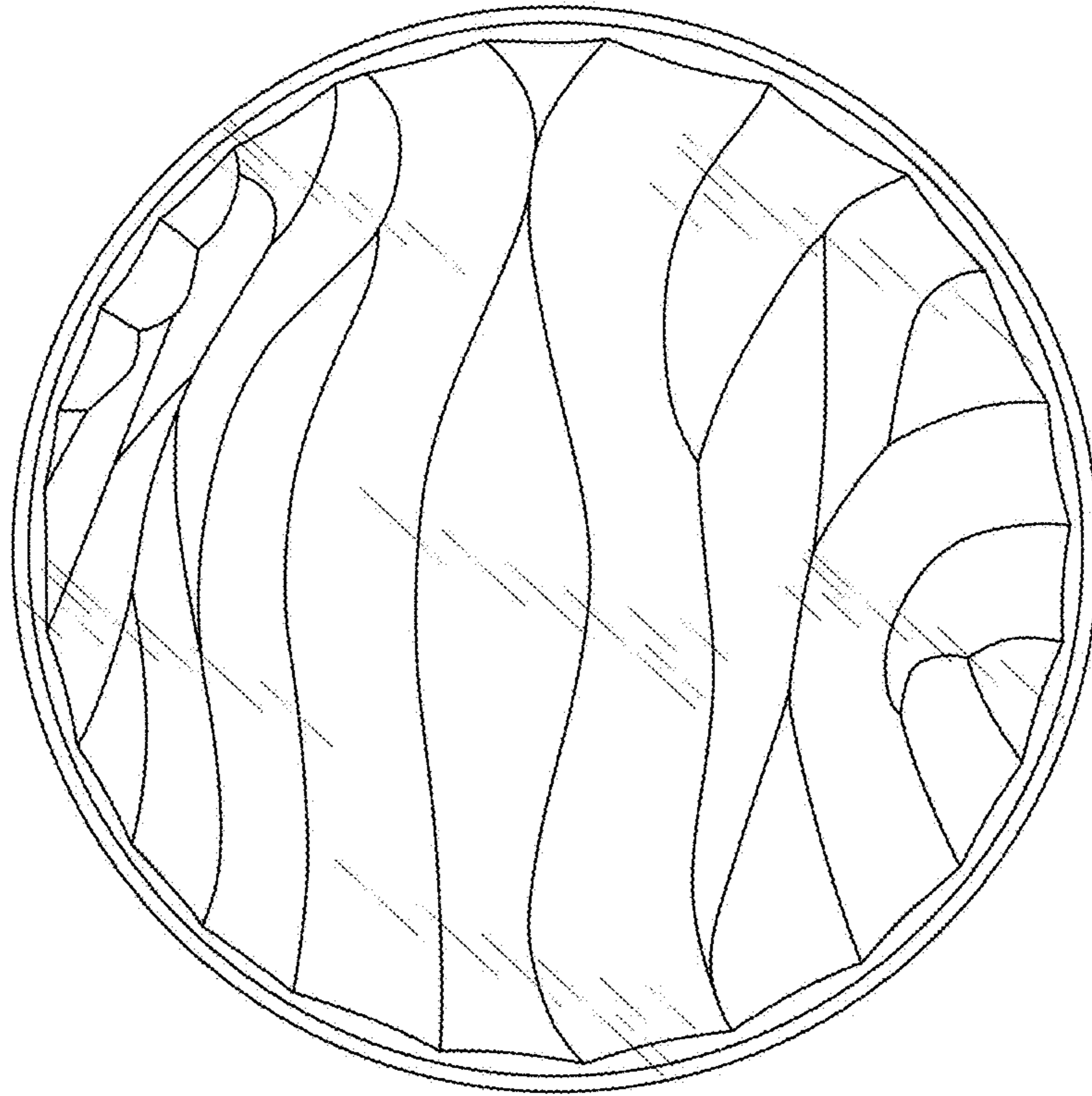


FIG.6

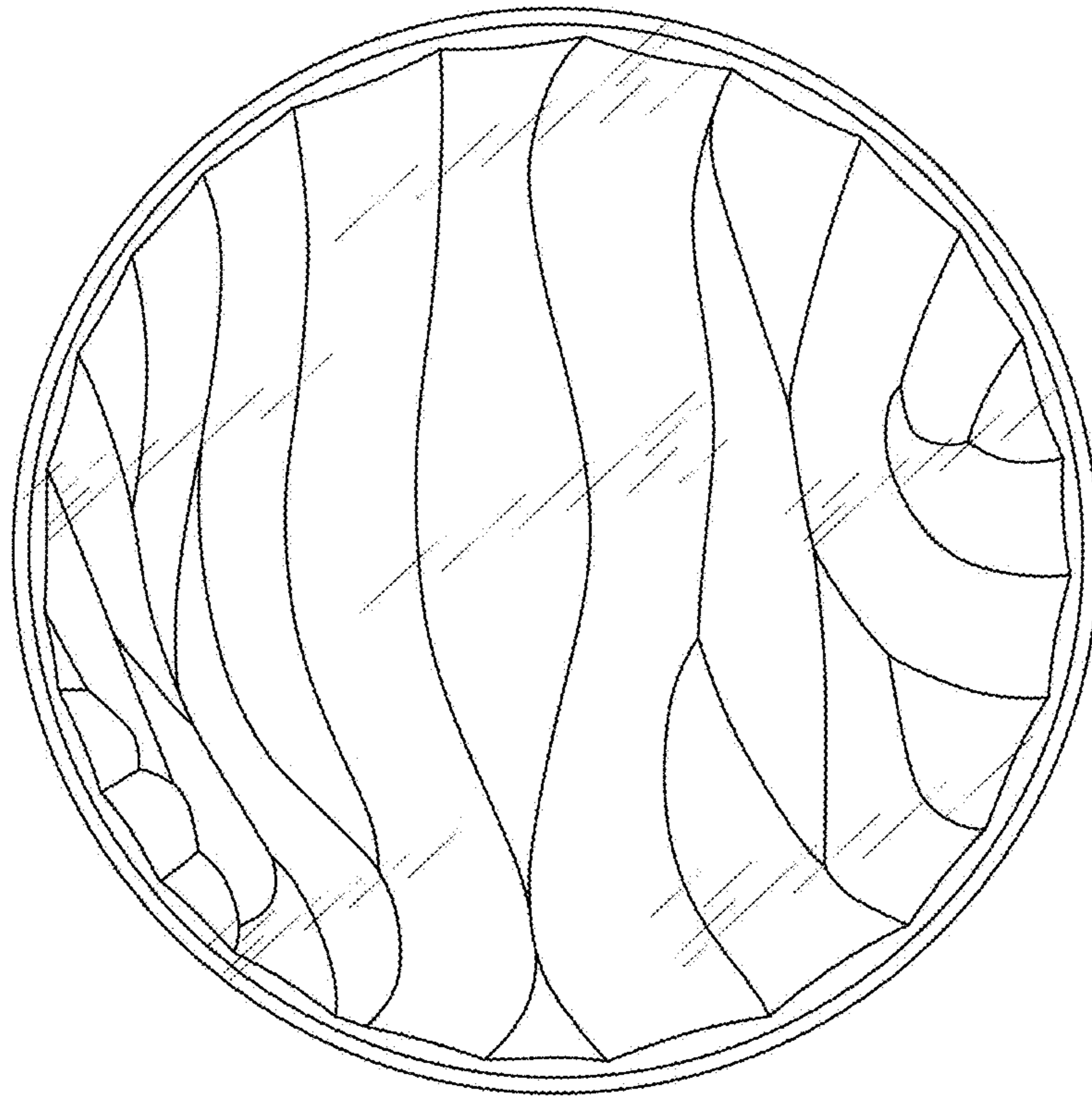


FIG. 7