



US00D952934S

(12) **United States Design Patent** (10) **Patent No.:** **US D952,934 S**
Stanley (45) **Date of Patent:** **** May 24, 2022**

(54) **HORTICULTURE GROW LIGHT**

FOREIGN PATENT DOCUMENTS

- (71) Applicant: **HGCI, Inc.**, Las Vegas, NV (US)
- (72) Inventor: **John Stanley**, Vancouver, WA (US)
- (73) Assignee: **HGCI, Inc.**, Las Vegas, NV (US)
- (**) Term: **15 Years**
- (21) Appl. No.: **29/747,521**
- (22) Filed: **Aug. 24, 2020**

CA	187673	*	11/2017
CN	303161616 S		4/2015
CN	303469593 S		11/2015

OTHER PUBLICATIONS

Amazon, "iPower 600 Watt Digital Dimmable Electronic Ballast", first available May 16, 2012. (<https://www.amazon.ca/dp/B0052AGBRO/>) (Year: 2012).*

(Continued)

Primary Examiner — Lauren D McVey

Assistant Examiner — Justin A Johnson

(74) *Attorney, Agent, or Firm* — Ulmer & Berne LLP

Related U.S. Application Data

- (63) Continuation of application No. 29/695,183, filed on Jun. 17, 2019, now Pat. No. Des. 894,471, which is a continuation of application No. 29/623,116, filed on Oct. 23, 2017, now Pat. No. Des. 851,814.

(51) **LOC (13) Cl.** **26-05**

(52) **U.S. Cl.**
USPC **D26/118**

(58) **Field of Classification Search**
USPC D26/1, 2, 3, 24, 72, 113, 118, 119
CPC F21L 2/00; F21S 2/00; F21S 8/00; F21S 8/006; F21S 8/026; H01K 7/00; H01K 7/02; A01G 7/045

See application file for complete search history.

(56) **References Cited**

U.S. PATENT DOCUMENTS

D106,614 S	10/1937	Waterbury
D123,768 S	12/1940	Scribner
D132,786 S	6/1942	Netting
D133,216 S	7/1942	Parlato
D135,375 S	3/1943	Biller
2,339,100 A	1/1944	Netting
D143,061 S	12/1945	Creed
D156,014 S	11/1949	Lazerson
2,740,883 A	4/1956	Kruger
2,740,885 A	4/1956	Kruger

(Continued)

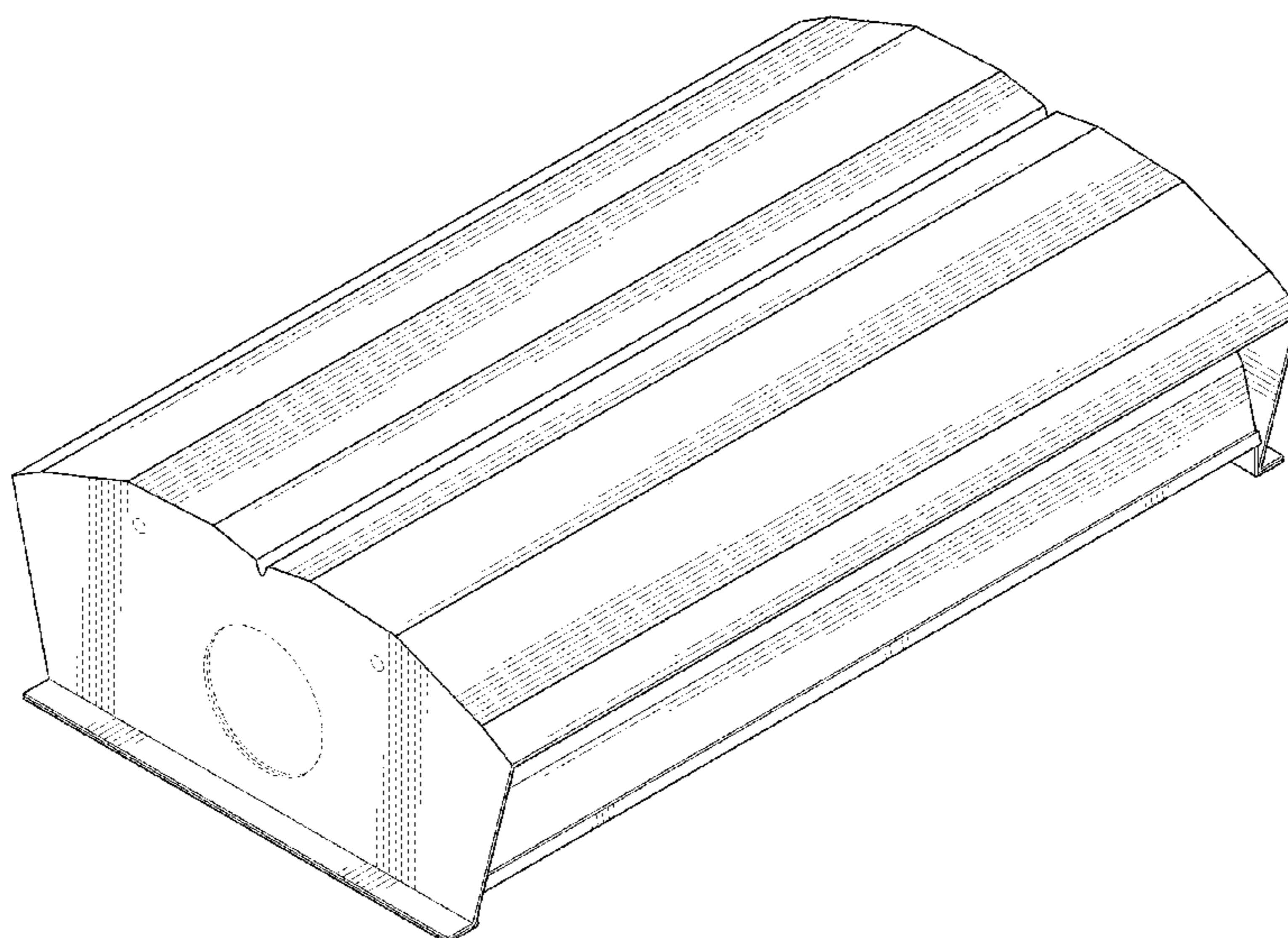
CLAIM

(57) The ornamental design for a horticulture grow light, as shown and described.

DESCRIPTION

FIG. 1 is a perspective view of a horticulture grow light, as viewed from below, showing my new design;
 FIG. 2 is a perspective view of the light shown in FIG. 1, as viewed from above;
 FIG. 3 is a left side view of the light shown in FIG. 1;
 FIG. 4 is a right side view of the light shown in FIG. 1;
 FIG. 5 is a front elevation view of the light shown in FIG. 1;
 FIG. 6 is a rear elevation view of the light shown in FIG. 1;
 FIG. 7 is a bottom plan view of the light shown in FIG. 1;
 and,
 FIG. 8 is a top plan view of the light shown in FIG. 1.
 The broken lines immediately adjacent to the shaded areas depict the bounds of the claimed design, while all other broken lines are directed to environment. The broken lines form no part of the claimed design.

1 Claim, 6 Drawing Sheets



(56)

References Cited

U.S. PATENT DOCUMENTS

3,272,978 A 9/1966 Jackson
 4,363,371 A 12/1982 Hutchinson
 D268,287 S 3/1983 Boschetti
 4,531,180 A 7/1985 Hernandez
 4,779,178 A 10/1988 Spitz
 4,814,954 A 3/1989 Spitz
 4,933,821 A 6/1990 Anderson
 D311,597 S 10/1990 Poot
 D323,897 S 2/1992 Compton
 5,253,152 A 10/1993 Yang et al.
 D352,126 S 11/1994 Ruud et al.
 D377,234 S 1/1997 Roberts et al.
 D413,176 S 8/1999 Mier-Langner
 6,053,624 A 4/2000 Cronk
 D428,516 S 7/2000 Reo et al.
 D447,272 S 8/2001 Smith
 D456,938 S 5/2002 Wardenburg
 D459,825 S 7/2002 Field
 6,450,662 B1 * 9/2002 Hutchison F21S 8/00
 362/246
 D465,049 S 10/2002 Ludwig
 D469,564 S 1/2003 Brok
 6,527,422 B1 3/2003 Hutchison
 6,595,662 B2 7/2003 Wardenburg
 6,988,816 B2 1/2006 Witkowski
 D537,777 S * 3/2007 Hargreaves D13/110
 D542,460 S 5/2007 Hargreaves
 D543,652 S 5/2007 Hargreaves
 D543,654 S 5/2007 Hargreaves
 D544,131 S 6/2007 Blackman
 D544,139 S 6/2007 Hargreaves
 D544,626 S 6/2007 Hargreaves
 D544,983 S 6/2007 Hargreaves
 D544,984 S 6/2007 Hargreaves
 D544,985 S 6/2007 Hargreaves
 D544,987 S 6/2007 Hargreaves
 D544,995 S 6/2007 Hargreaves
 D545,484 S 6/2007 Hargreaves
 D545,485 S 6/2007 Hargreaves
 D586,030 S 2/2009 Genova
 7,524,090 B2 4/2009 Hargreaves
 7,534,011 B2 5/2009 Townsley
 D613,900 S 4/2010 Hargreaves et al.
 D614,801 S 4/2010 Collins et al.
 7,722,208 B1 5/2010 Dupre et al.
 7,722,228 B2 5/2010 Broer
 D633,640 S 3/2011 Wauters
 D634,060 S 3/2011 Wardenburg
 D634,468 S 3/2011 Hargreaves
 D634,469 S 3/2011 Hargreaves
 D637,162 S 5/2011 Bridgman
 D637,752 S 5/2011 Mekhtarian
 7,959,331 B2 6/2011 Ho
 7,972,044 B2 7/2011 Burkhauser
 D661,833 S 6/2012 Imajo et al.
 8,209,912 B2 7/2012 Hargreaves et al.
 D669,204 S 10/2012 Snell et al.
 D670,850 S 11/2012 Helenowski
 D672,911 S 12/2012 Mayfield, III et al.
 D675,369 S 1/2013 Michaud
 8,348,481 B2 1/2013 Chang
 D676,185 S 2/2013 Piegras et al.
 D678,599 S 3/2013 Boyer et al.
 D683,064 S 5/2013 Tuck
 D693,959 S 11/2013 Boyer et al.
 D698,986 S 2/2014 Reynolds
 D698,987 S 2/2014 Stanley
 D699,881 S * 2/2014 Mollaghaffari D26/75
 D710,528 S * 8/2014 Wardenburg D26/75
 D716,730 S * 11/2014 Liu D13/110
 8,905,575 B2 12/2014 Durkee et al.
 D725,819 S 3/2015 Reynolds
 8,998,473 B1 4/2015 Anderson
 9,010,970 B2 4/2015 Guercio et al.
 9,016,907 B2 4/2015 Stanley

D731,701 S 6/2015 Hargreaves
 D732,233 S 6/2015 Reynolds
 D732,235 S 6/2015 Reynolds
 D732,236 S 6/2015 Reynolds
 D736,450 S 8/2015 Reynolds
 D737,134 S 8/2015 Thompson
 D737,498 S 8/2015 Stanley
 9,100,209 B2 8/2015 Steindl
 D739,595 S 9/2015 Reynolds
 D740,486 S 10/2015 Stanley
 D747,029 S 1/2016 Reynolds
 D748,849 S 2/2016 Stanley
 D750,312 S 2/2016 Reynolds
 D750,316 S 2/2016 Reynolds
 D751,244 S 3/2016 Reynolds
 D751,247 S 3/2016 Reynolds
 9,279,550 B2 3/2016 Torabifard et al.
 D757,323 S 5/2016 Reynolds
 D762,320 S 7/2016 Reynolds
 D765,306 S 8/2016 Wardenburg et al.
 D767,193 S 9/2016 Jung
 9,453,639 B2 9/2016 Mandy et al.
 D769,514 S 10/2016 Reynolds
 D770,670 S 11/2016 Reynolds
 D770,671 S 11/2016 Reynolds
 D775,405 S 12/2016 Stanley
 D779,703 S 2/2017 Stanley
 D783,888 S 4/2017 Reynolds
 D786,475 S * 5/2017 Hargreaves D26/76
 D791,997 S * 7/2017 van den Dool D26/76
 D797,351 S 9/2017 Stanley
 D797,352 S 9/2017 Stanley
 D822,883 S 7/2018 Stanley
 D825,096 S 8/2018 Reynolds
 D851,814 S 6/2019 Stanley
 D873,467 S * 1/2020 Reynolds D26/76
 D894,470 S * 8/2020 Reynolds D26/118
 D894,471 S 8/2020 Stanley
 D897,028 S * 9/2020 Reynolds D26/118
 D904,674 S * 12/2020 Reynolds D26/118
 2001/0023173 A1 9/2001 Schiedegger et al.
 2002/0141195 A1 10/2002 Peter
 2008/0205030 A1 8/2008 Hargreaves
 2008/0205071 A1 8/2008 Townsley
 2008/0219008 A1 9/2008 Schaefer et al.
 2008/0278950 A1 11/2008 Pickard et al.
 2009/0262540 A1 10/2009 Hargreaves et al.
 2009/0262543 A1 10/2009 Ho
 2009/0310373 A1 12/2009 Burkhauser
 2009/0323335 A1 12/2009 Yang et al.
 2012/0051041 A1 3/2012 Edmond et al.
 2012/0087118 A1 * 4/2012 Bailey F21V 5/04
 362/235
 2013/0083539 A1 4/2013 Dimitriadis
 2015/0082692 A1 3/2015 Wardenburg et al.
 2015/0252993 A1 9/2015 Stanley
 2020/0018473 A1 * 1/2020 Jiang F21V 29/677

OTHER PUBLICATIONS

Amazon, "VIVOSUN 600 Watt UL Listed Dimmable Electronic Digital Ballast", first available Oct. 16, 2015. (<https://www.amazon.ca/VIVOSUN-Dimmable-Electronic-Digital-Ballast/dp/B016POA3KQ/>) (Year: 2015).*

Amazon, "Apollo Horticulture Purple Reign 400W 600W 1000W Watt Digital Dimmable HPS MH Grow Light Ballast", first available May 8, 2015. (<https://www.amazon.ca/dp/B00WAKP4YK?tag=xponics-20&linkCode=ogi&th=1&psc=1>) (Year: 2015).*

Amazon, "SunStream 600W Digital Dimmable Electronic Ballast", first available Oct. 17, 2017. (<https://www.amazon.ca/dp/B076J4CK6K/?th=1>) (Year: 2017).*

Horticultural Lighting, image post date Sep. 2008, site visited Sep. 30, 2015, (online), <<http://www.dendroboard.com/forum/sponsor-classifieds/104681-grow-your-own-plants-horticulture-neherp.html>>.

Horticultural Lights, image post date Jul. 7, 2014, site visited Sep. 30, 2015 (online), <<http://web.archive.org/web/20140707223459/http://www.kindgreenbuds.com/cannabis-grow-bible/best-lighting-systems/>>.

(56)

References Cited

OTHER PUBLICATIONS

Steel S Section, image post date Aug. 30, 2000, site visited Sep. 30, 2015 (online), <<http://web.archive.org/web/20000830093120/http://www.efunda.com/math/areas/RolledSteelBeamsS.cfm>>.

* cited by examiner

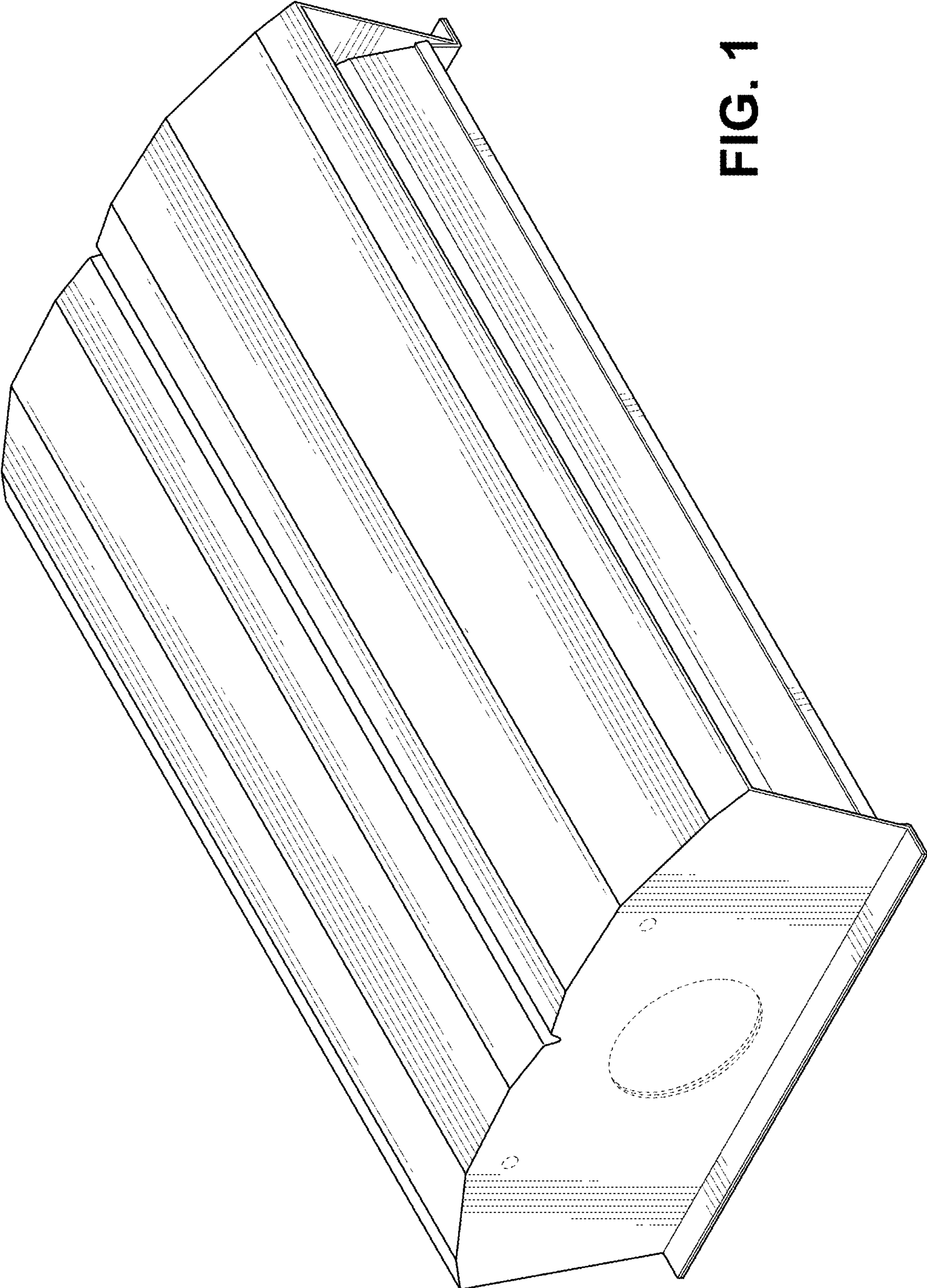


FIG. 1

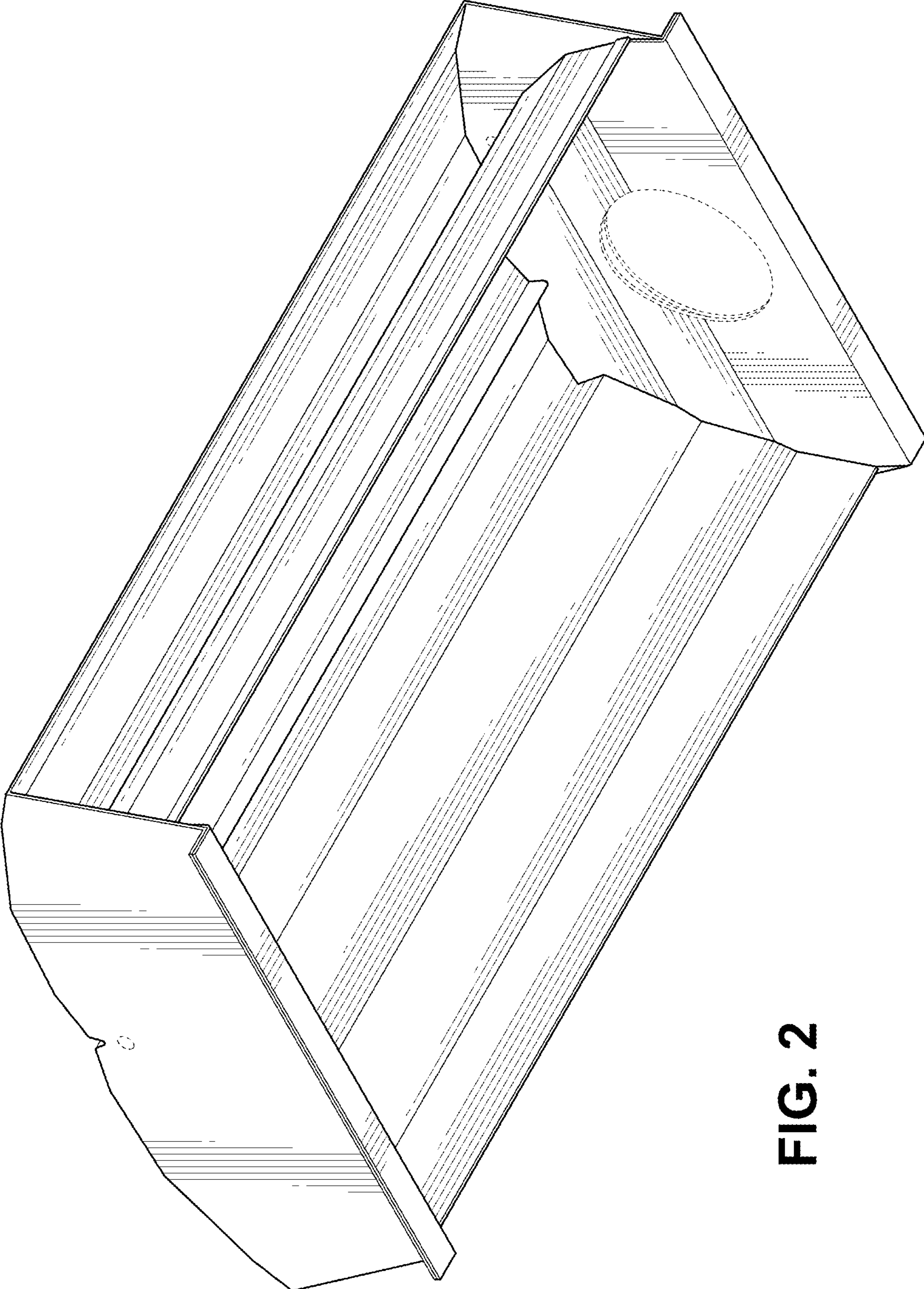


FIG. 2

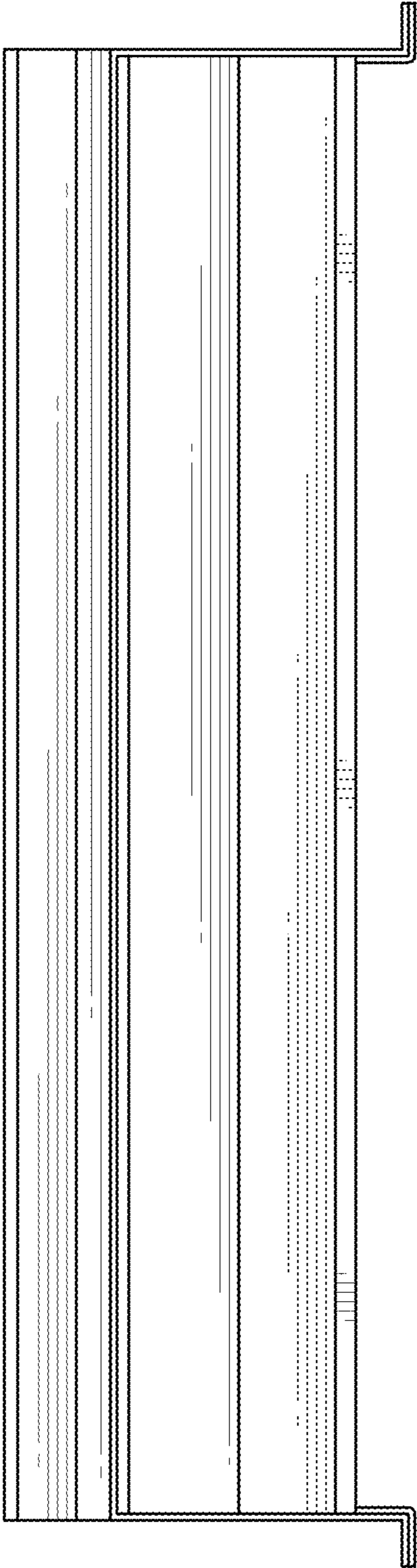


FIG. 3

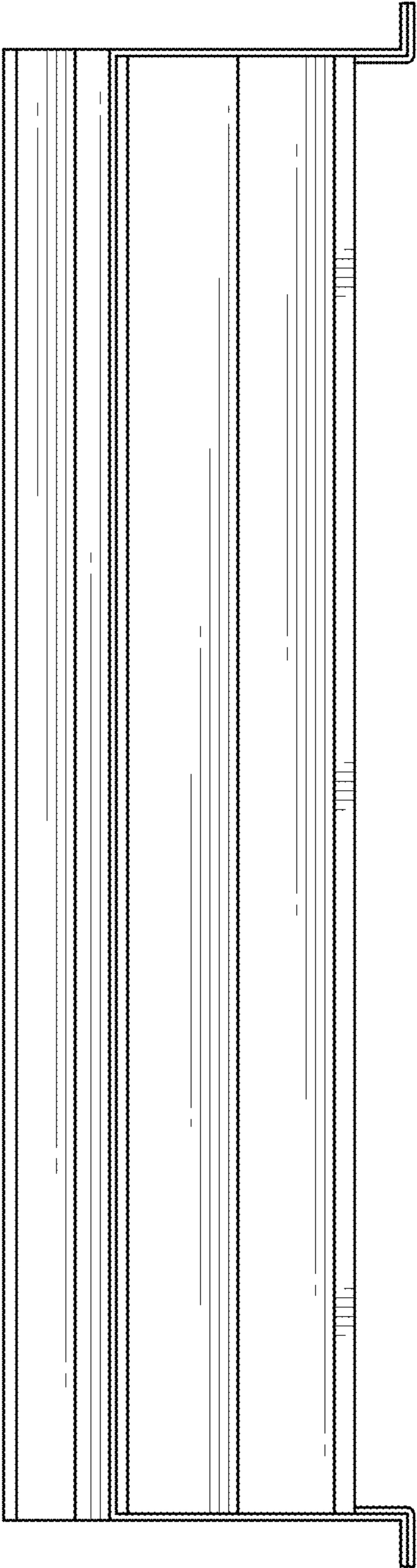


FIG. 4

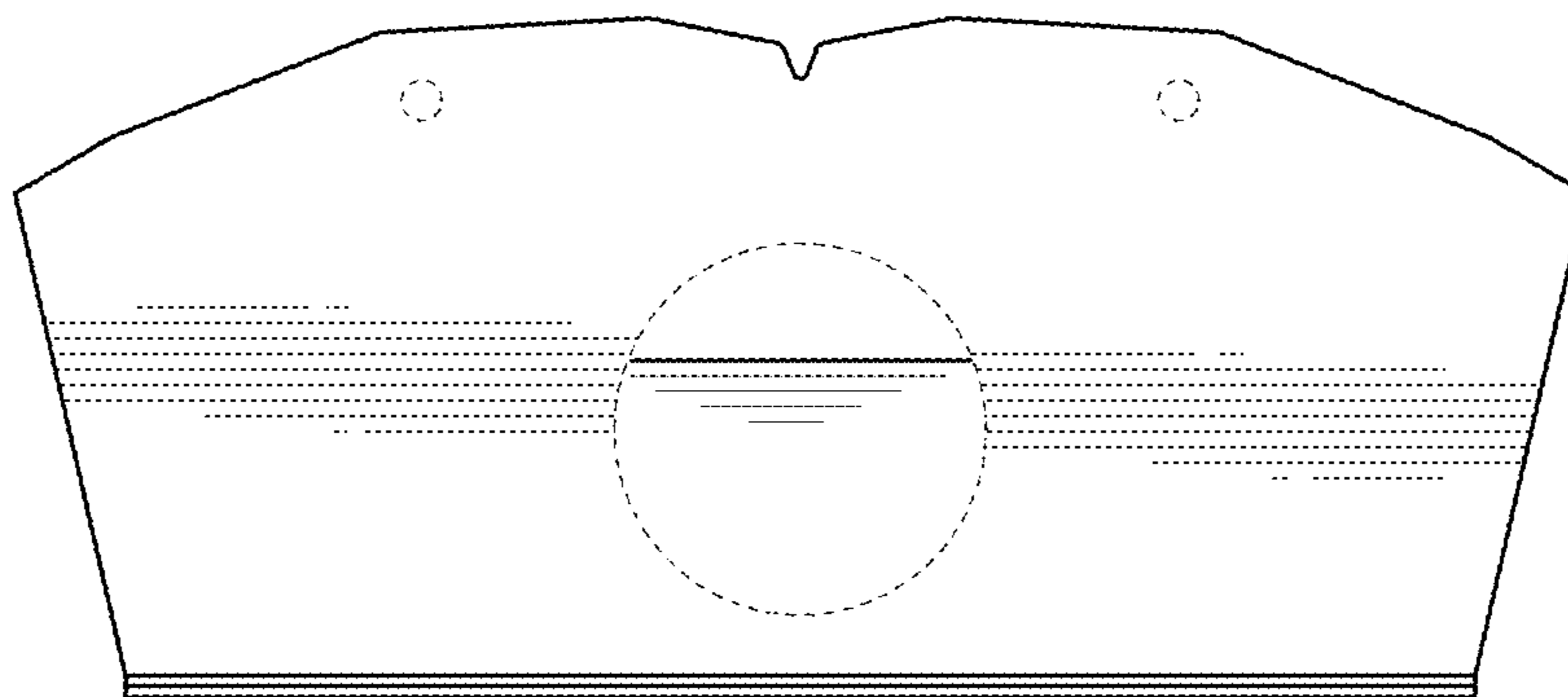


FIG. 5

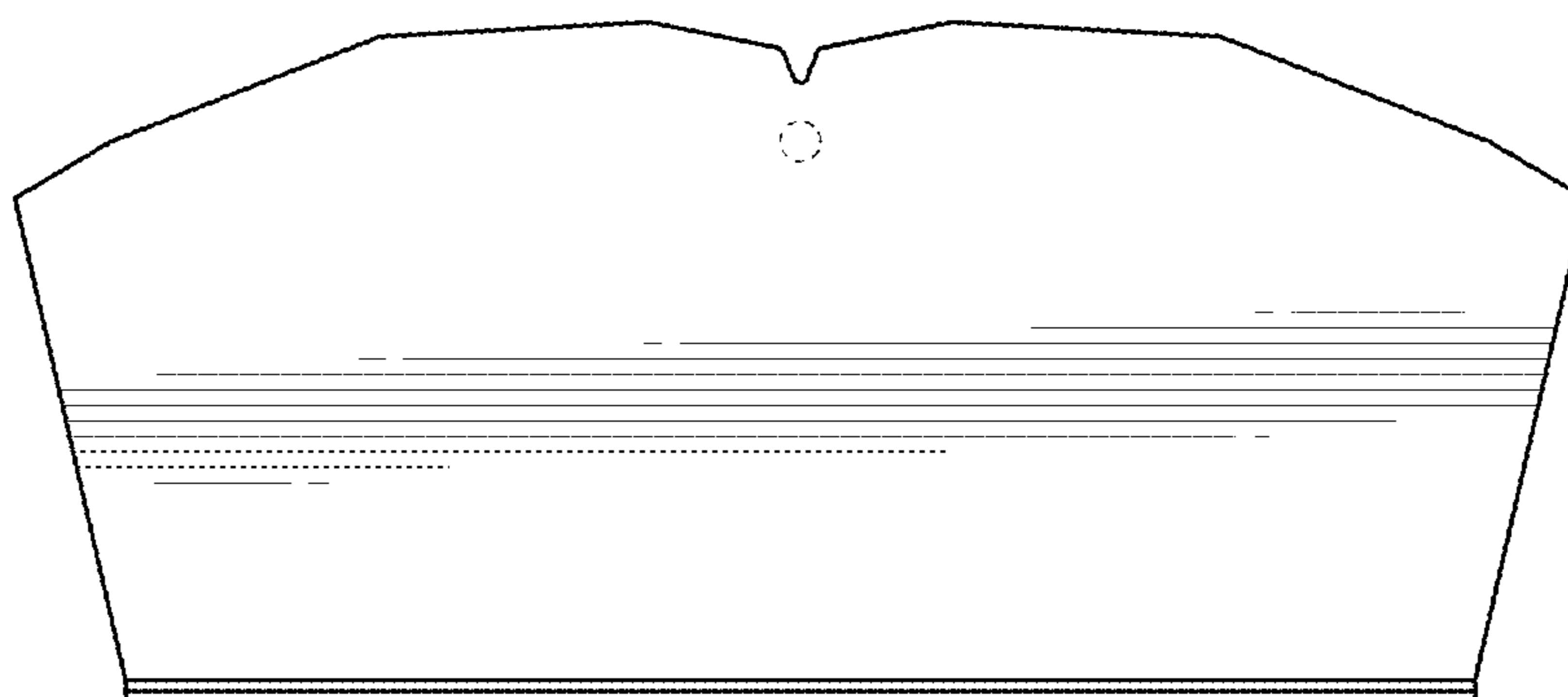


FIG. 6

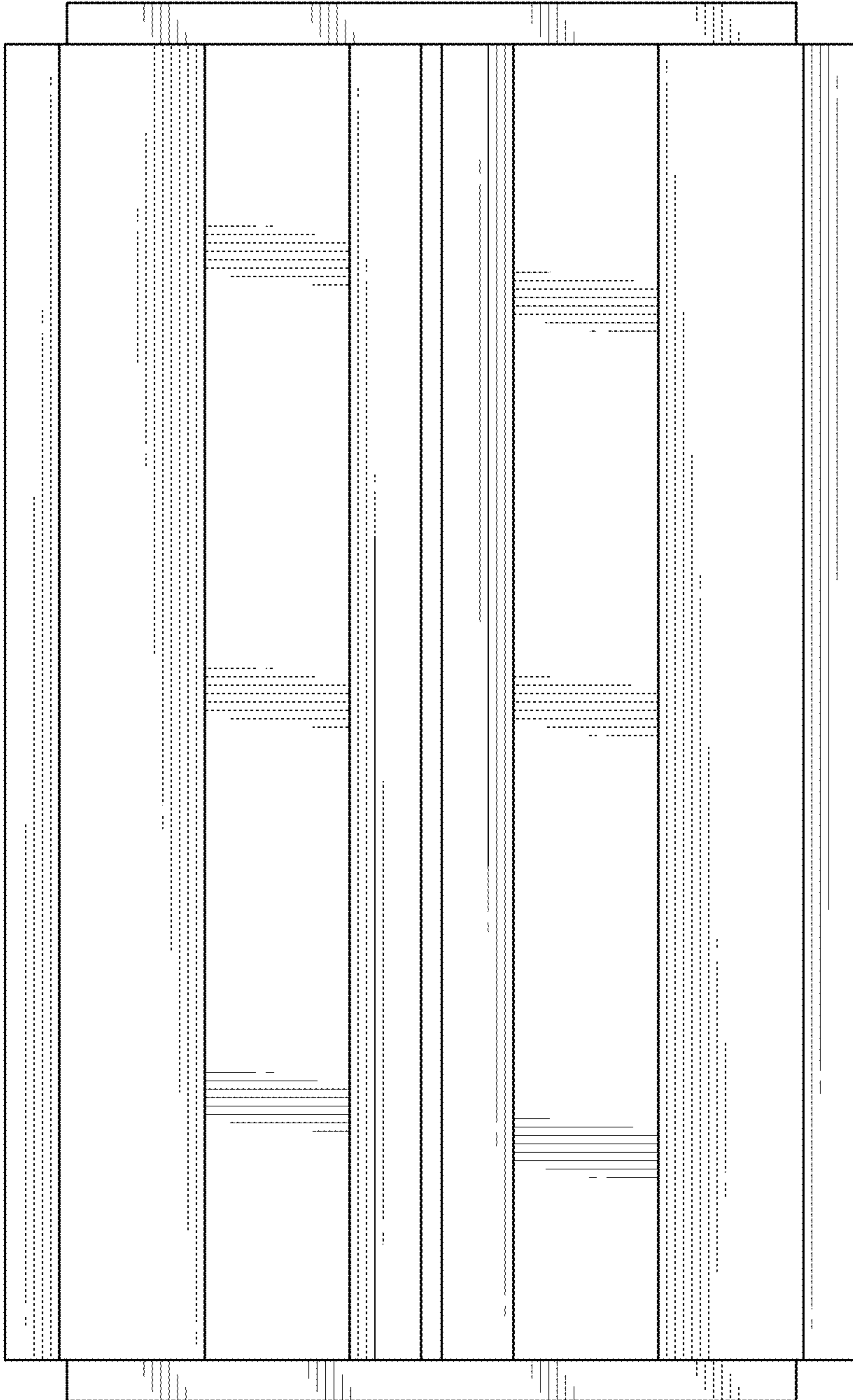


FIG. 7

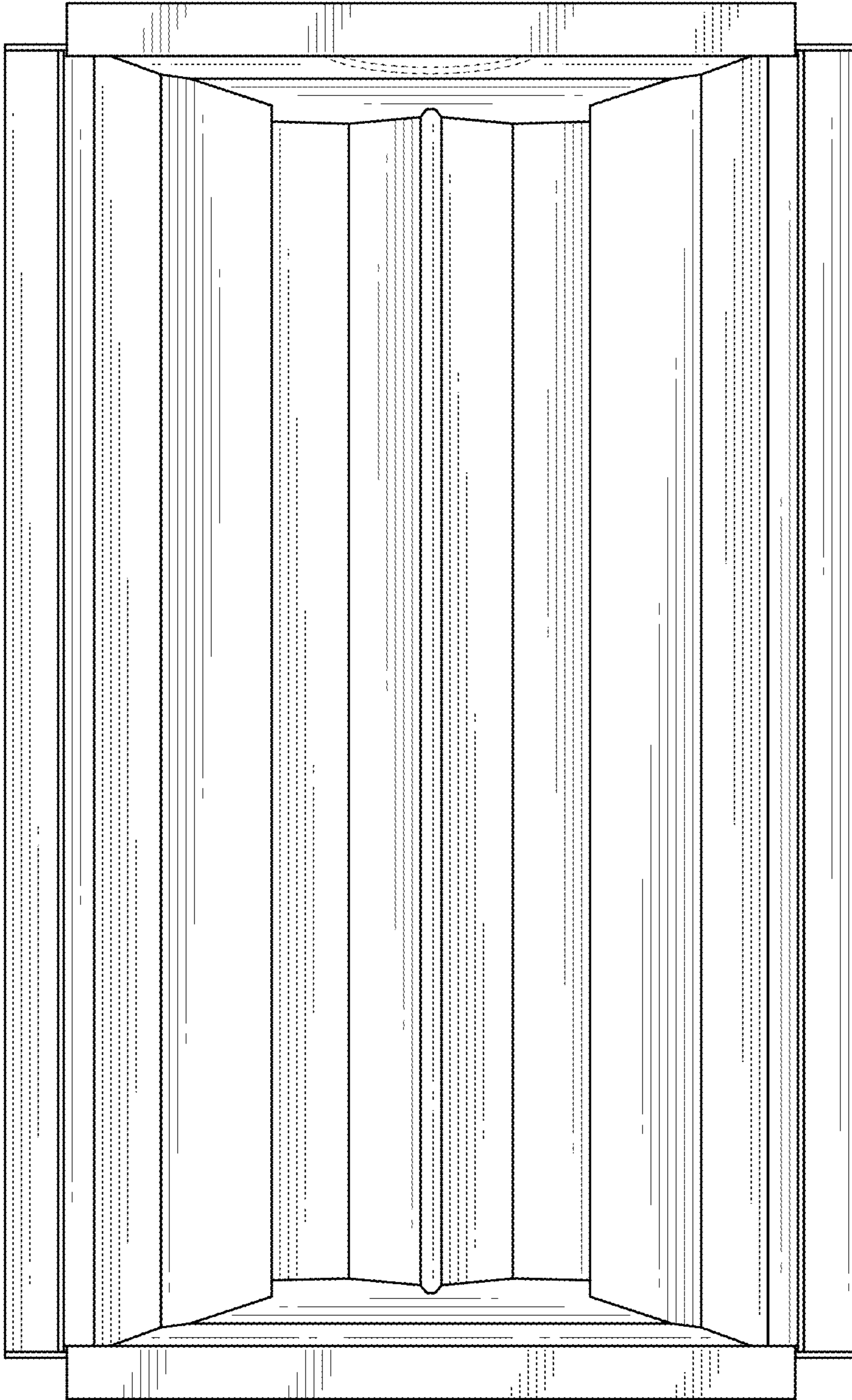


FIG. 8