



US00D952932S

(12) **United States Design Patent** (10) **Patent No.:** **US D952,932 S**
Sun (45) **Date of Patent:** **** May 24, 2022**

(54) **SOLAR LIGHT**

FOREIGN PATENT DOCUMENTS

(71) Applicant: **Yulan Sun**, Ganzhou (CN)

GB 6131172 * 4/2021
GB 6146078 * 7/2021

(72) Inventor: **Yulan Sun**, Ganzhou (CN)

(**) Term: **15 Years**

OTHER PUBLICATIONS

(21) Appl. No.: **29/785,259**

Amazon, "Solar Owl Flames Lantern", first available Jan. 18, 2021.
(<https://www.amazon.com/dp/B0968FGF6R/?th=1>) (Year: 2021).*

(22) Filed: **May 25, 2021**

(Continued)

(51) **LOC (13) Cl.** **26-03**

Primary Examiner — Lauren D McVey

(52) **U.S. Cl.**
USPC **D26/98**

Assistant Examiner — Justin A Johnson

(58) **Field of Classification Search**
USPC D26/1, 4, 24, 25, 51, 55, 57, 93, 94, 98,
D26/102, 104
CPC F21L 2/00; F21L 4/00; F21L 4/02; F21L
4/025; F21L 4/027; F21L 14/00; F21S
2/00; F21S 8/03; F21S 8/033; F21S
8/035; F21S 6/00; F21S 6/002; F21S
6/004; F21S 8/036; F21S 8/037; F21S
9/00; F21S 9/02; F21V 21/10; F21V
21/108; F21W 2121/008

(57) **CLAIM**

The ornamental design for a solar light, as shown and described.

See application file for complete search history.

DESCRIPTION

(56) **References Cited**

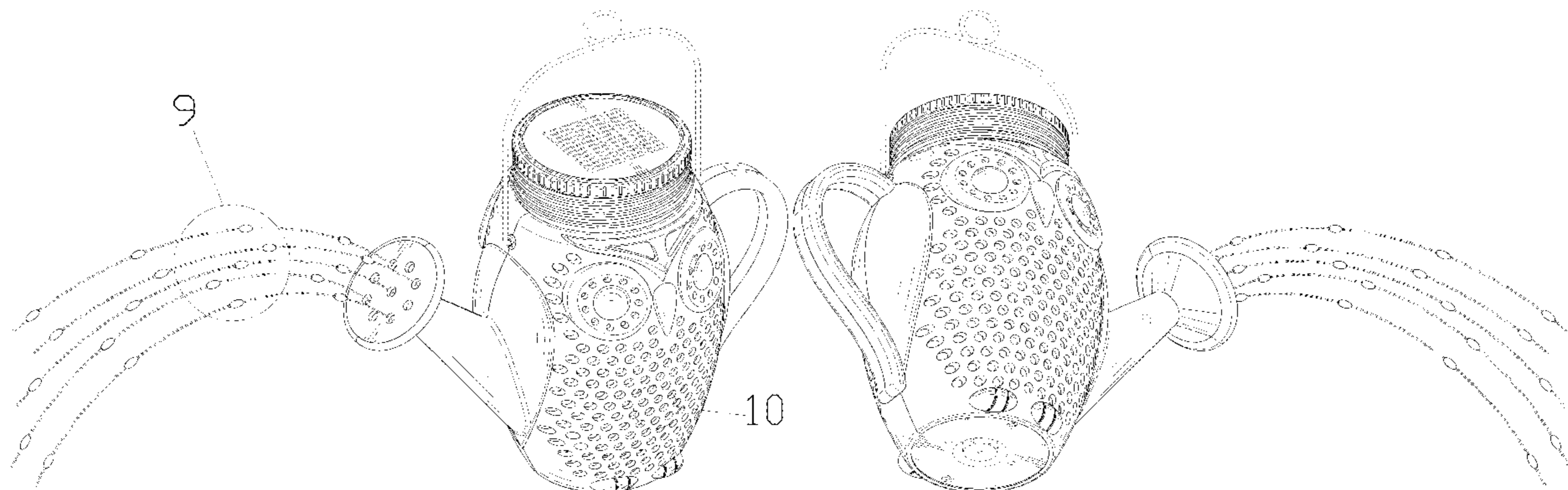
U.S. PATENT DOCUMENTS

1,699,459 A * 1/1929 Ullrich A01G 25/14
239/377
D184,893 S * 4/1959 Reinecke D23/212
D357,729 S * 4/1995 Boyd D23/200
D459,431 S * 6/2002 Rosenberg D23/212
D590,095 S * 4/2009 Toomey D26/98
D625,874 S * 10/2010 Sanoner D26/67
D741,451 S * 10/2015 Moore D23/212
D776,315 S * 1/2017 Wu D26/41
D816,250 S 4/2018 Wang
D848,043 S 5/2019 Zhuo
D889,728 S * 7/2020 Wanders D26/98
D890,980 S * 7/2020 Toikka D26/93
D935,661 S * 11/2021 Hu D26/41

FIG. 1 is a perspective view of a solar light showing my new design;
FIG. 2 is another perspective view thereof;
FIG. 3 is a front elevational view thereof;
FIG. 4 is a rear elevational view thereof;
FIG. 5 is a left side elevational view thereof;
FIG. 6 is a right side elevational view thereof;
FIG. 7 is a top plan view thereof;
FIG. 8 is a bottom plan view thereof;
FIG. 9 is an enlarged view of portion 9 shown in FIG. 1; and,
FIG. 10 is an enlarged view of portion 10 shown in FIG. 1.
The broken lines in the drawings depict portions of the solar light that form no part of the claimed design.
The evenly spaced broken lines in the drawings depict portions of the solar light that form no part of the claimed design. In addition, the dot-dash broken lines illustrate enlarged portions of the design. None of the broken lines form part of the claimed design.

(Continued)

1 Claim, 10 Drawing Sheets



(56)

References Cited

U.S. PATENT DOCUMENTS

D938,081 S * 12/2021 Li D26/41
D942,585 S * 2/2022 Yu D23/212

OTHER PUBLICATIONS

Amazon, "Binfenny Solar Watering Can Lights", first available Aug. 4, 2021. (<https://www.amazon.com/dp/B09B1Z6QX5/?th=1>) (Year: 2021).*

Amazon, "Pavel Watering Solar Can Lights", first available Sep. 27, 2021. (<https://www.amazon.com/dp/B09H6QZGR1/>) (Year: 2021).*

Amazon, "Cadufuelly Solar Watering Can Lights", first available Aug. 27, 2021. (<https://www.amazon.com/dp/B09DS18SMH/>) (Year: 2021).*

* cited by examiner

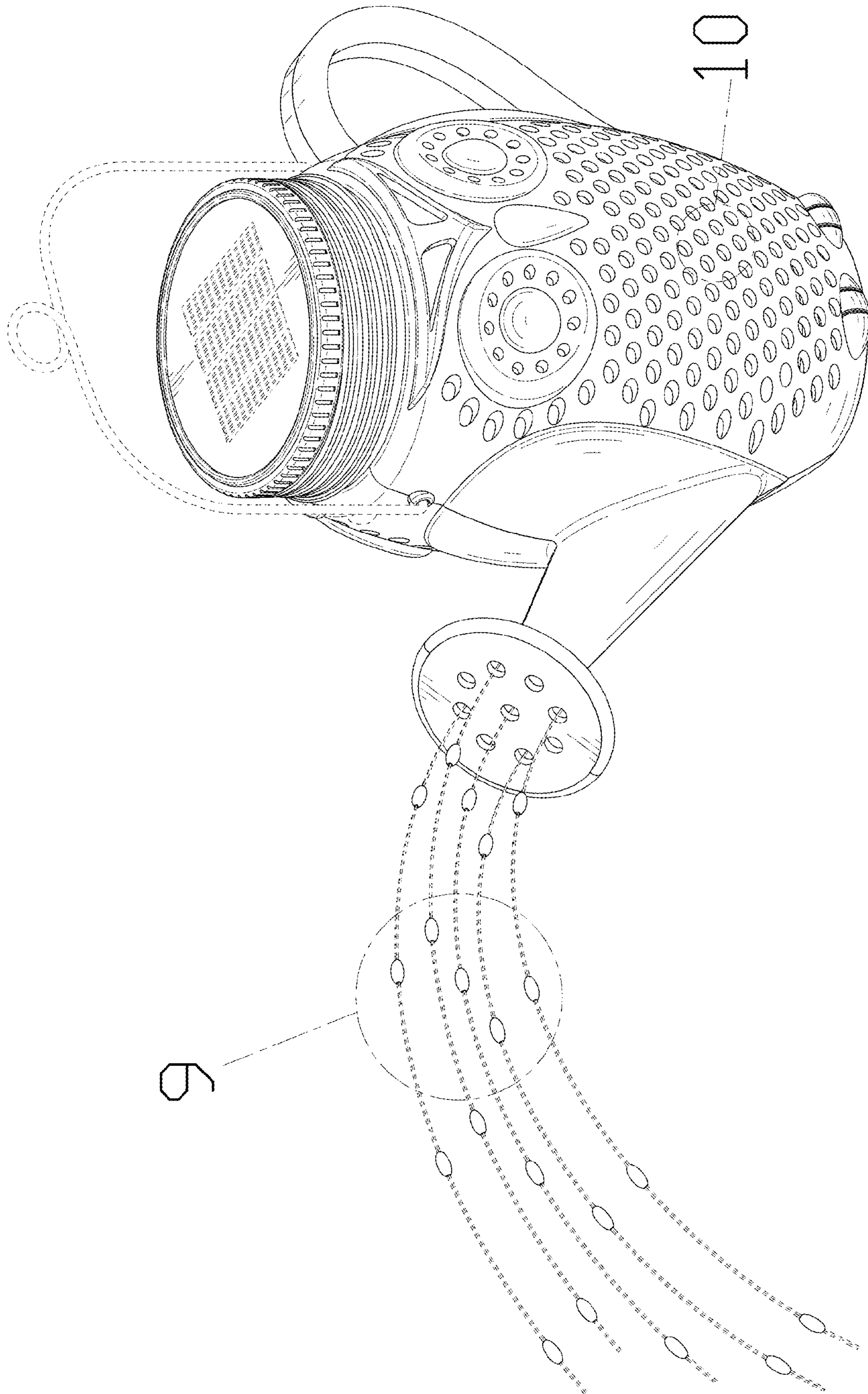


FIG. 1

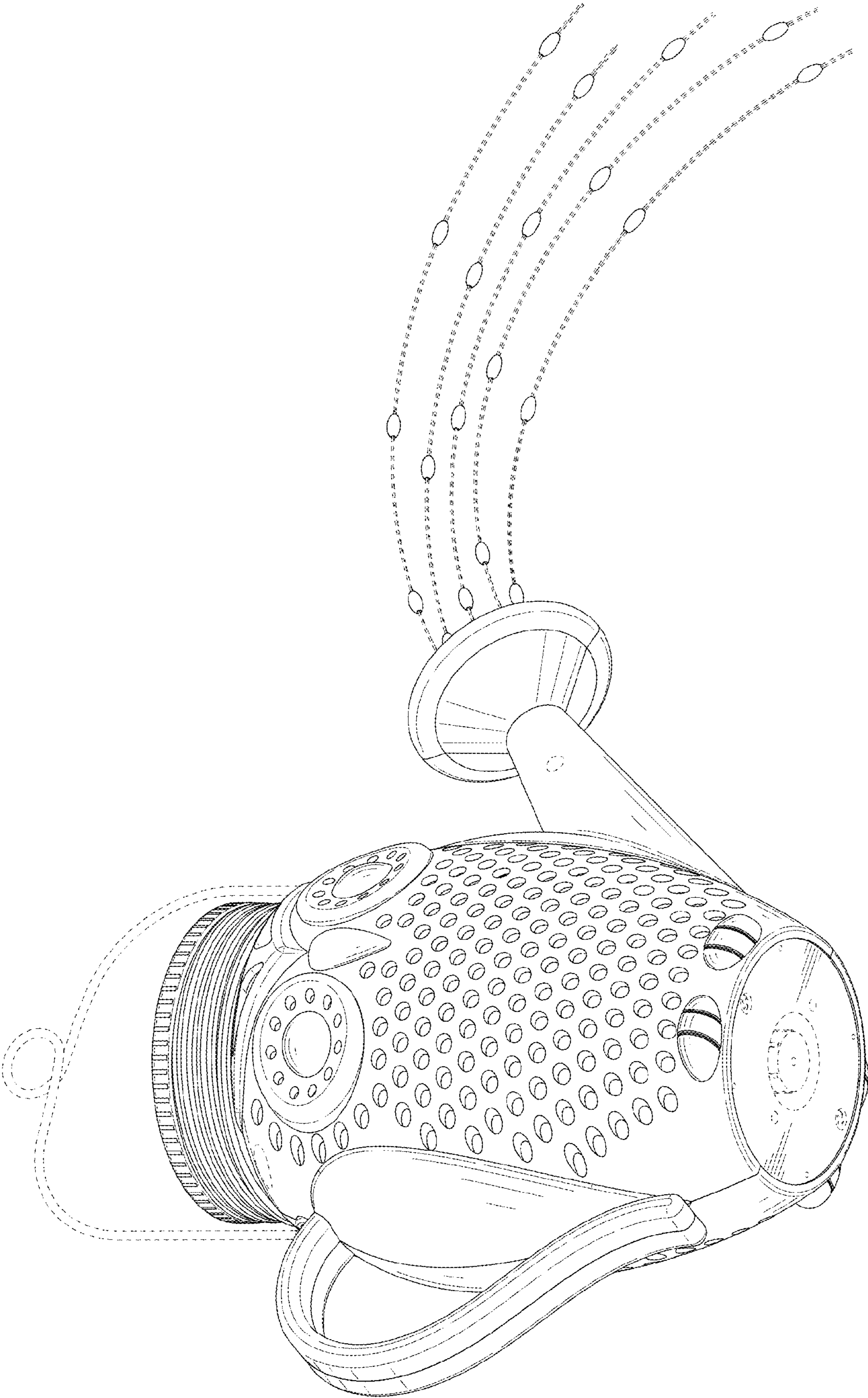


FIG. 2

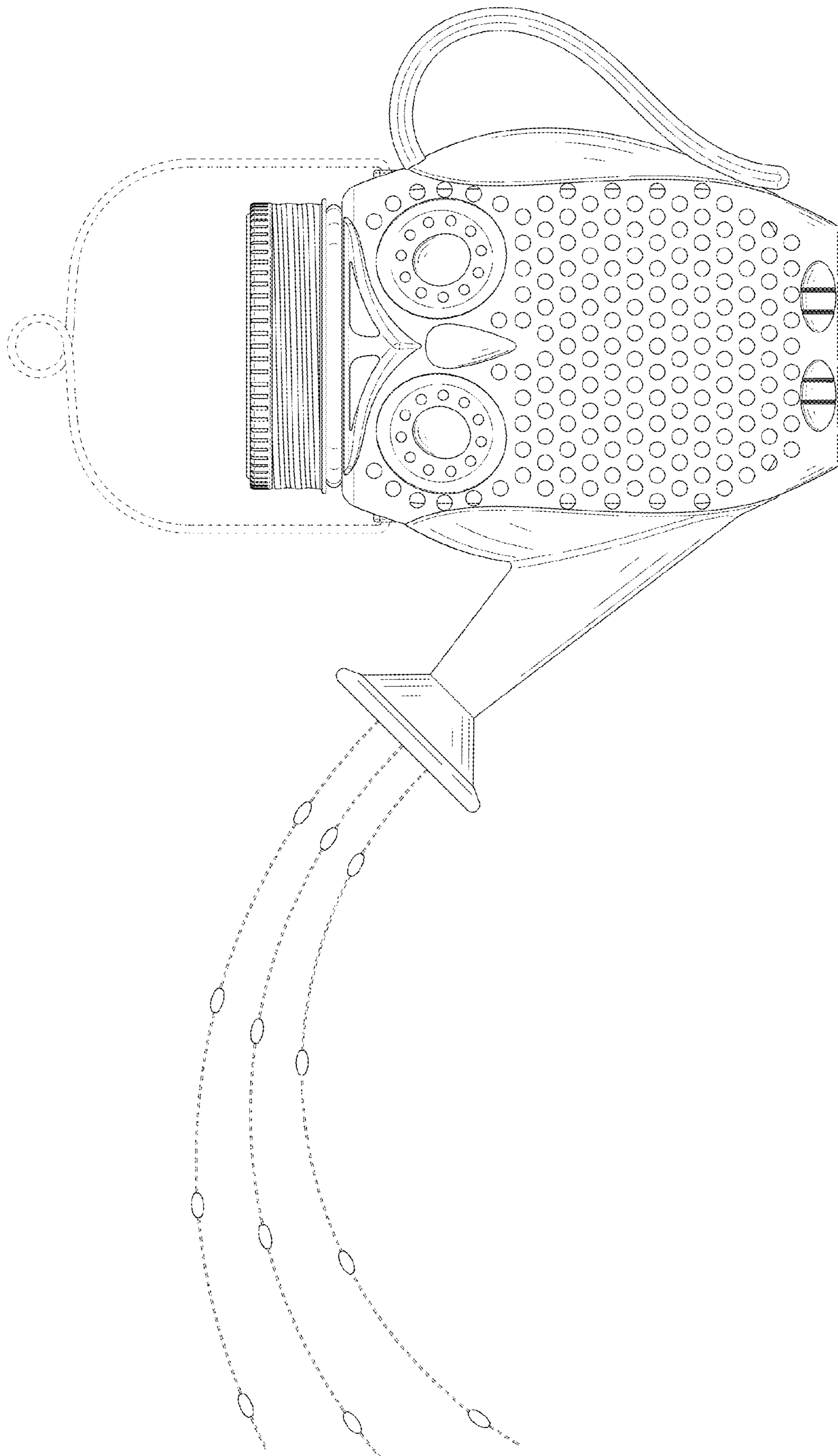


FIG. 3

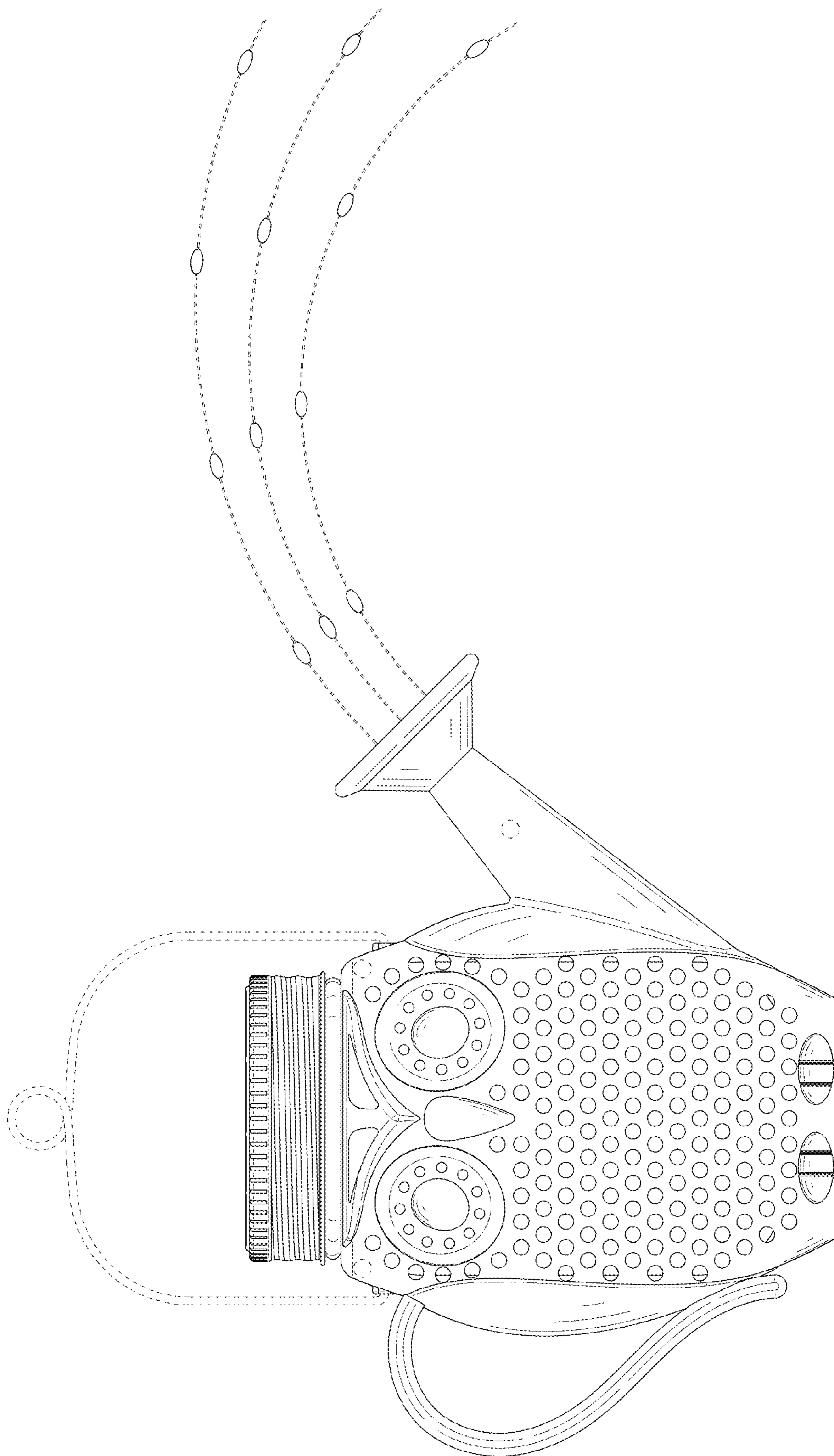


FIG. 4

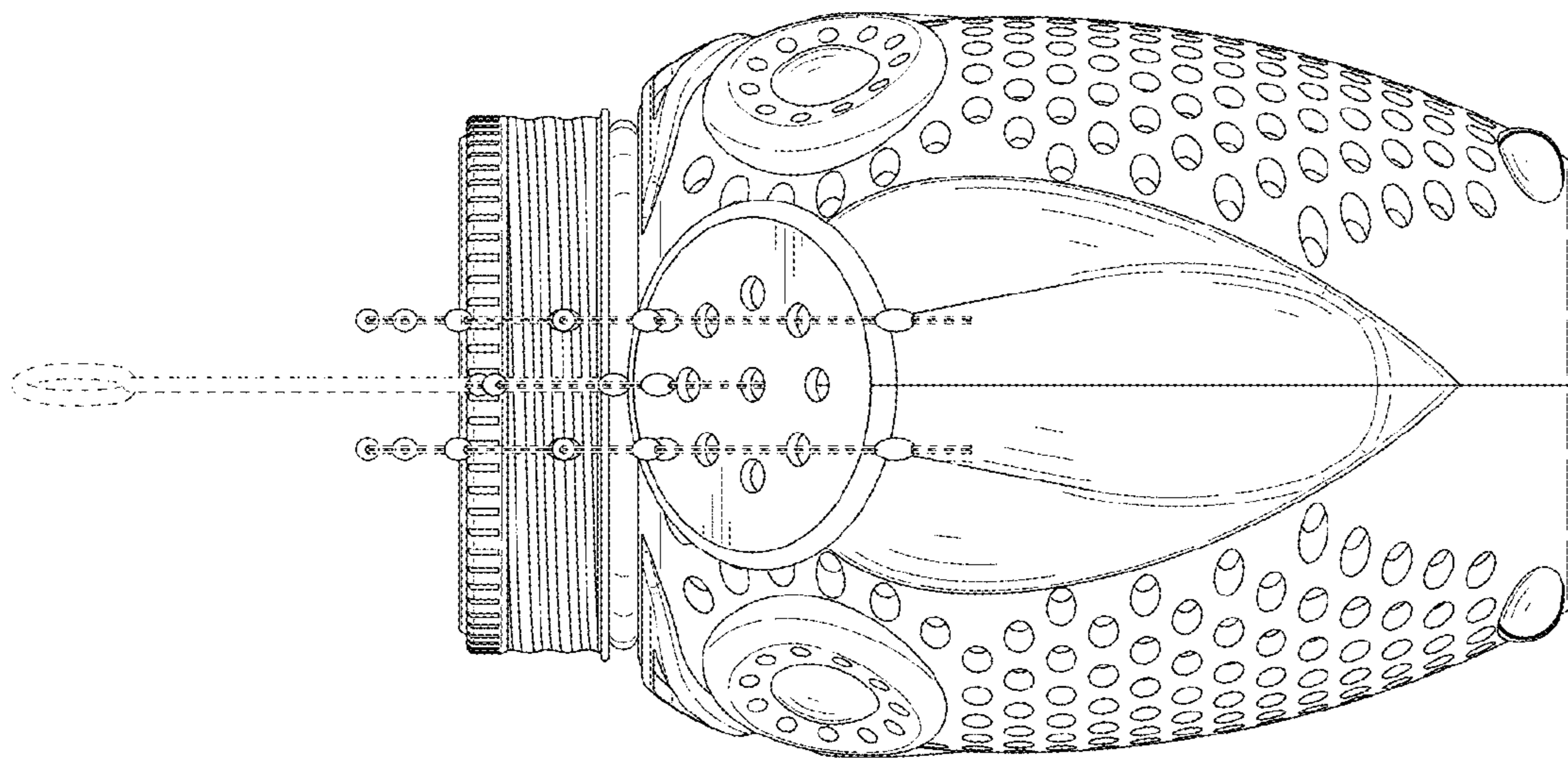


FIG. 5

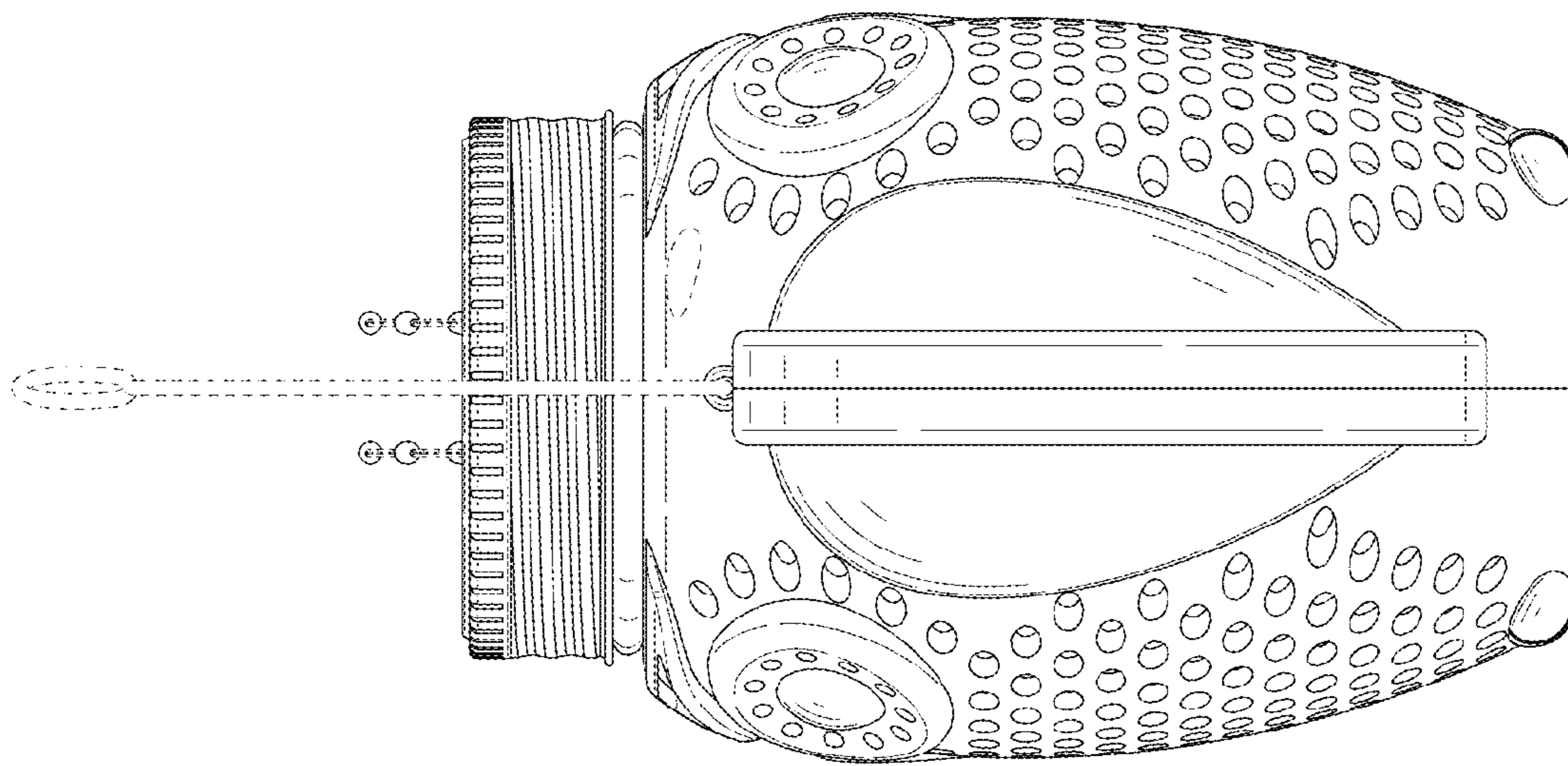


FIG. 6

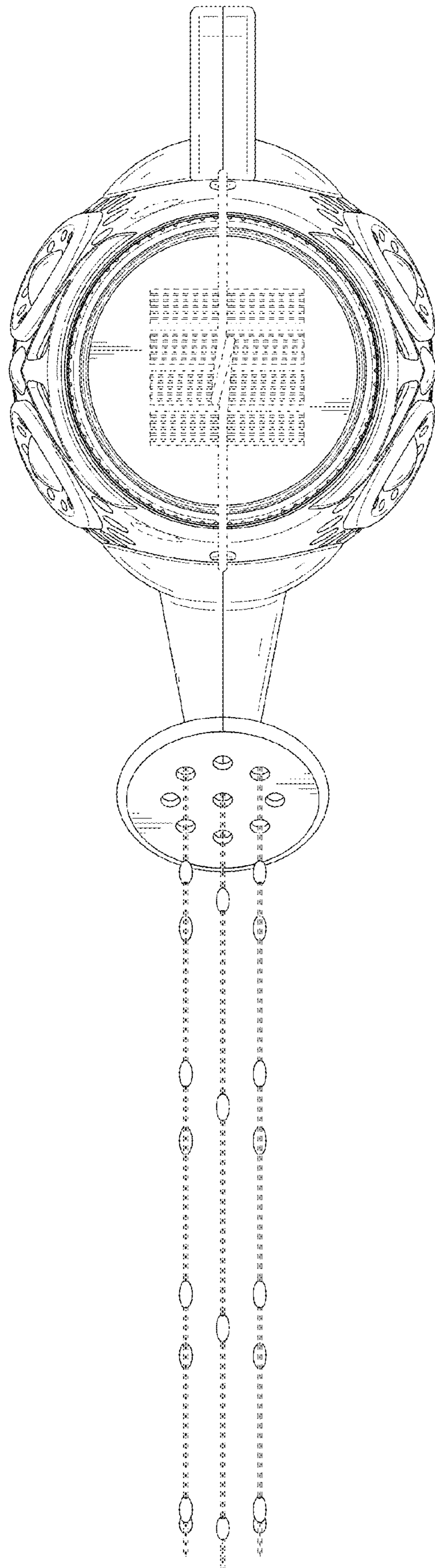


FIG. 7

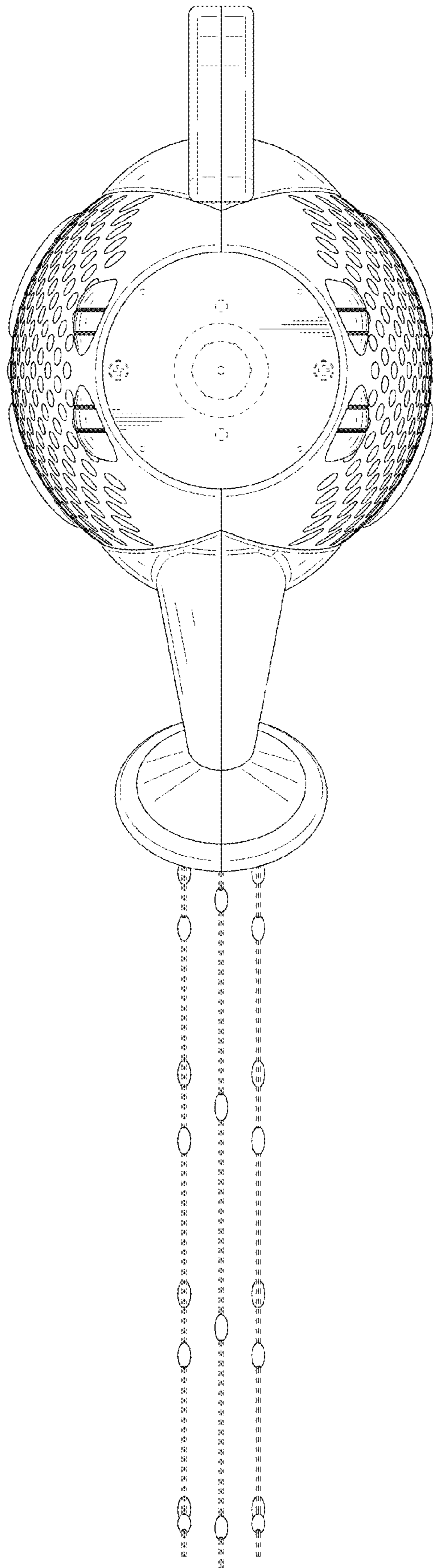


FIG. 8

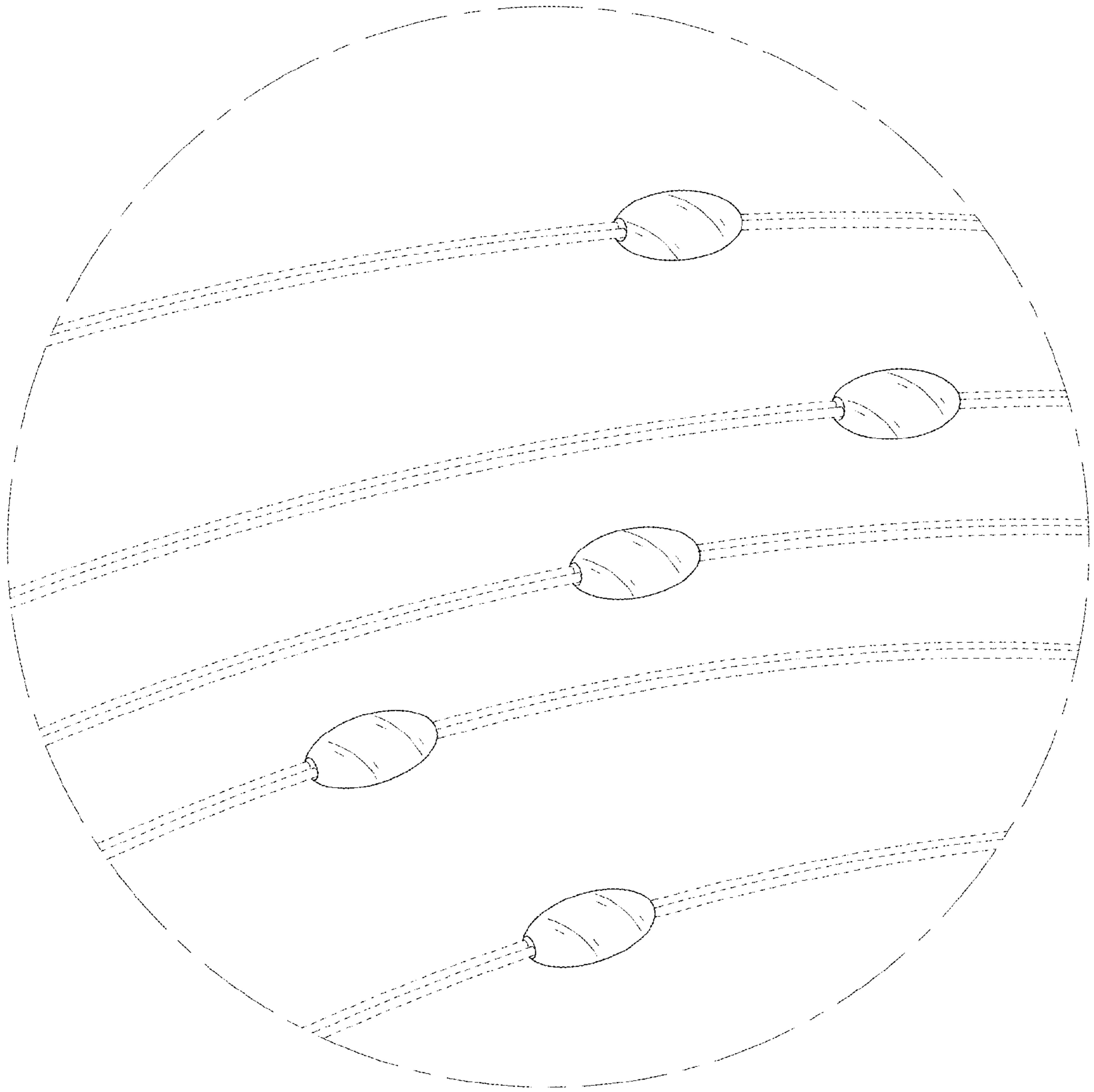


FIG. 9

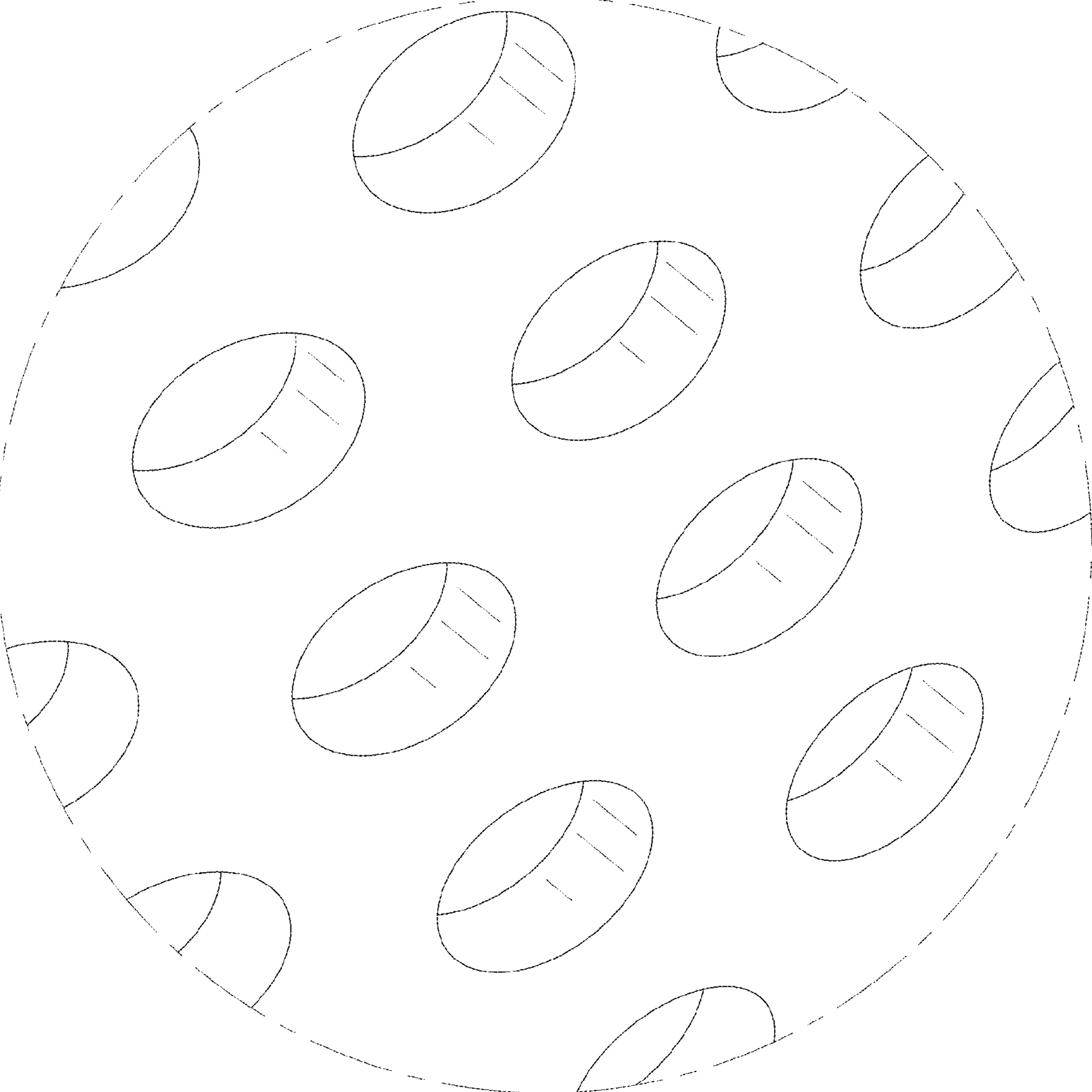


FIG. 10