



US00D952931S

(12) **United States Design Patent**  
**Li**

(10) **Patent No.:** **US D952,931 S**

(45) **Date of Patent:** **\*\* May 24, 2022**

(54) **DECORATIVE LIGHT**

D679,761 S \* 4/2013 Nava ..... D21/427  
D687,900 S \* 8/2013 Blanco ..... D21/427  
D936,754 S \* 11/2021 Wang ..... D21/541

(71) Applicant: **Yazhong Li**, Quanzhou (CN)

(72) Inventor: **Yazhong Li**, Quanzhou (CN)

(\*\*) Term: **15 Years**

(21) Appl. No.: **29/716,069**

(22) Filed: **Dec. 6, 2019**

(51) **LOC (13) Cl.** ..... **26-05**

(52) **U.S. Cl.**  
USPC ..... **D26/97**

(58) **Field of Classification Search**  
USPC ..... D26/1, 4, 8, 14, 24, 37, 47, 51, 86, 87,  
D26/93, 94, 95, 97, 103–107, 110–112;  
D21/300, 398, 533–536, 541; D11/95,  
D11/96; D12/36, 38, 101, 103  
CPC .... F21S 6/00; F21S 6/002; F21V 3/00; F21V  
3/02; F21V 21/02; F21V 1/12; F21V  
1/18; F21V 1/22; F21L 4/00; F21L 4/08;  
F21W 2131/20

See application file for complete search history.

(56) **References Cited**

**U.S. PATENT DOCUMENTS**

D217,374 S \* 4/1970 Habiak ..... D21/427  
D287,058 S \* 12/1986 Silverman ..... D21/560  
D425,946 S \* 5/2000 Wei ..... D21/541  
D484,195 S \* 12/2003 Shippy ..... D21/540  
D545,473 S \* 6/2007 Nunes ..... D26/73  
D550,883 S \* 9/2007 Nunes ..... D26/73  
D551,377 S \* 9/2007 Nunes ..... D26/73  
D588,650 S \* 3/2009 Yen ..... D21/427  
D631,295 S \* 1/2011 Kushner ..... D7/539

**OTHER PUBLICATIONS**

Pearlstar Lighted Snow Globe Lantern—Christmas Santa Claus  
Lantern, Water Snow Globe with Swirling Glitter and Battery &  
USB Powered, Great Home Decoration and Gift (Church), [https://  
www.amazon.com/dp/B07X9ZXS3C](https://www.amazon.com/dp/B07X9ZXS3C).

\* cited by examiner

*Primary Examiner* — Wan Laymon

*Assistant Examiner* — Clint A Samuel

(74) *Attorney, Agent, or Firm* — Rumit Ranjit Kanakia

(57) **CLAIM**

I claim the ornamental design for a decorative light, as  
shown and described.

**DESCRIPTION**

FIG. 1 is a Perspective view of a decorative light showing  
my new design;

FIG. 2 is a Front view thereof;

FIG. 3 is a Back view thereof;

FIG. 4 is a Right-side view thereof;

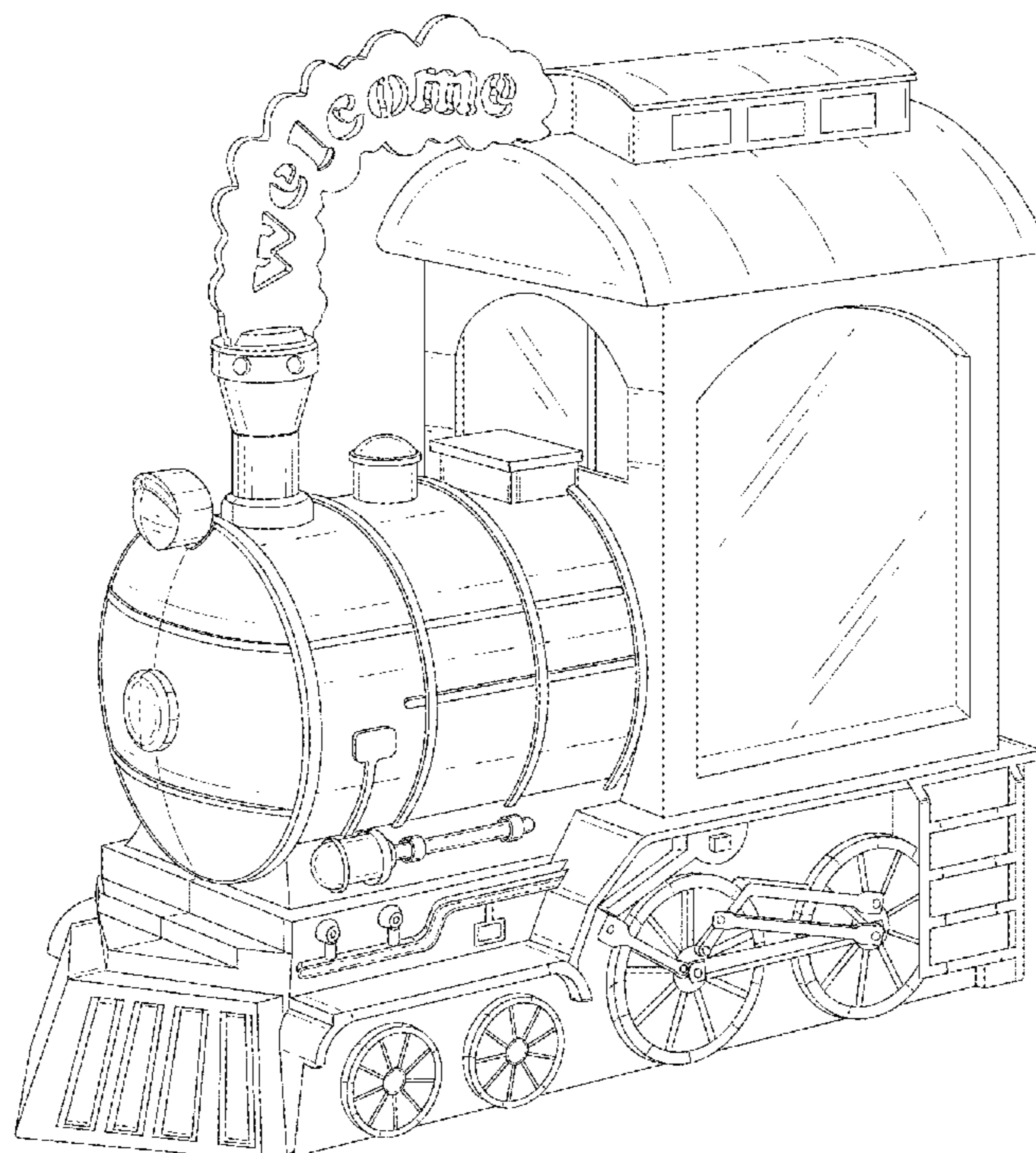
FIG. 5 is a Left-side view thereof;

FIG. 6 is a top view thereof; and,

FIG. 7 is a bottom view thereof.

The broken lines shown in drawings are included for the  
purpose of illustrating portions of the decorative light, and  
form no part of the claimed design.

**1 Claim, 7 Drawing Sheets**



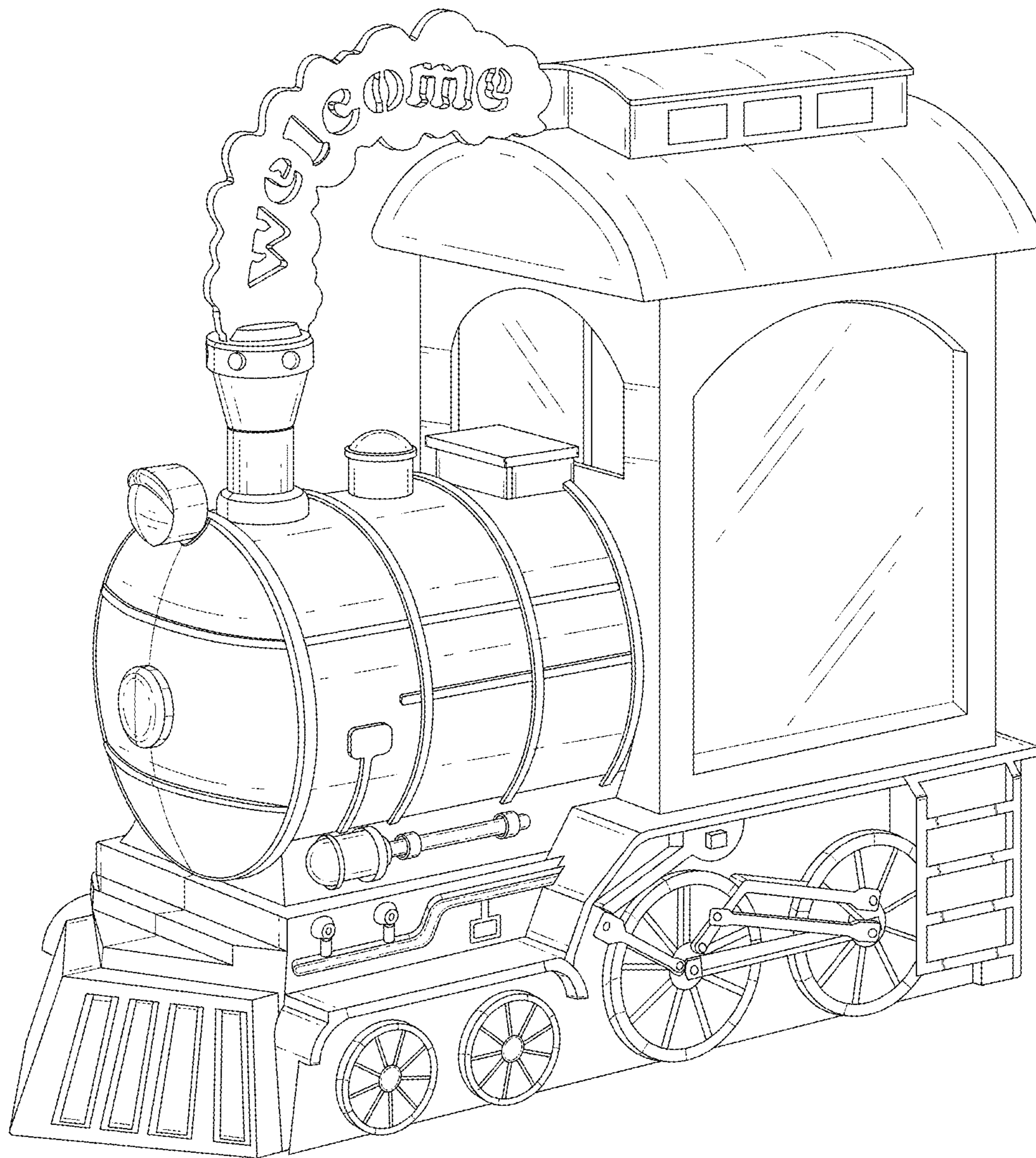


FIG. 1

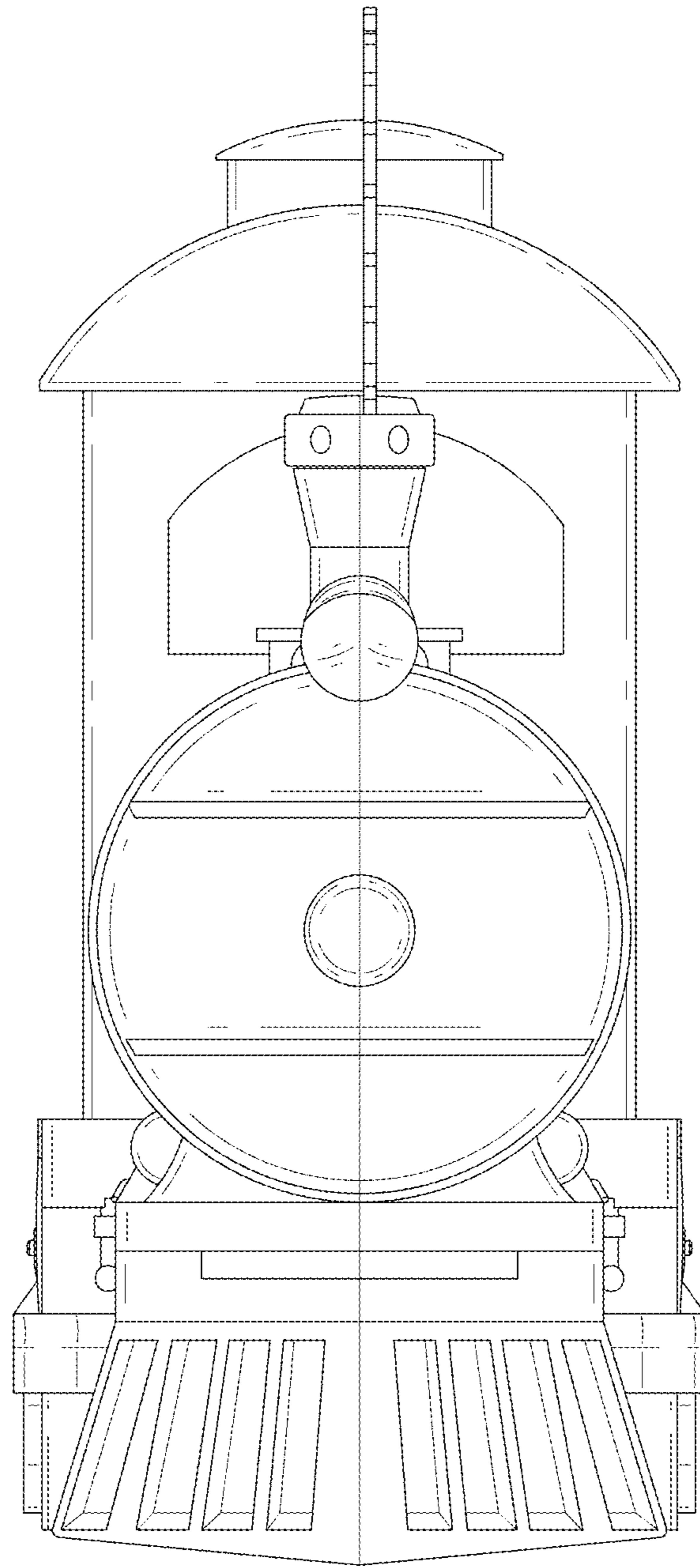


FIG. 2

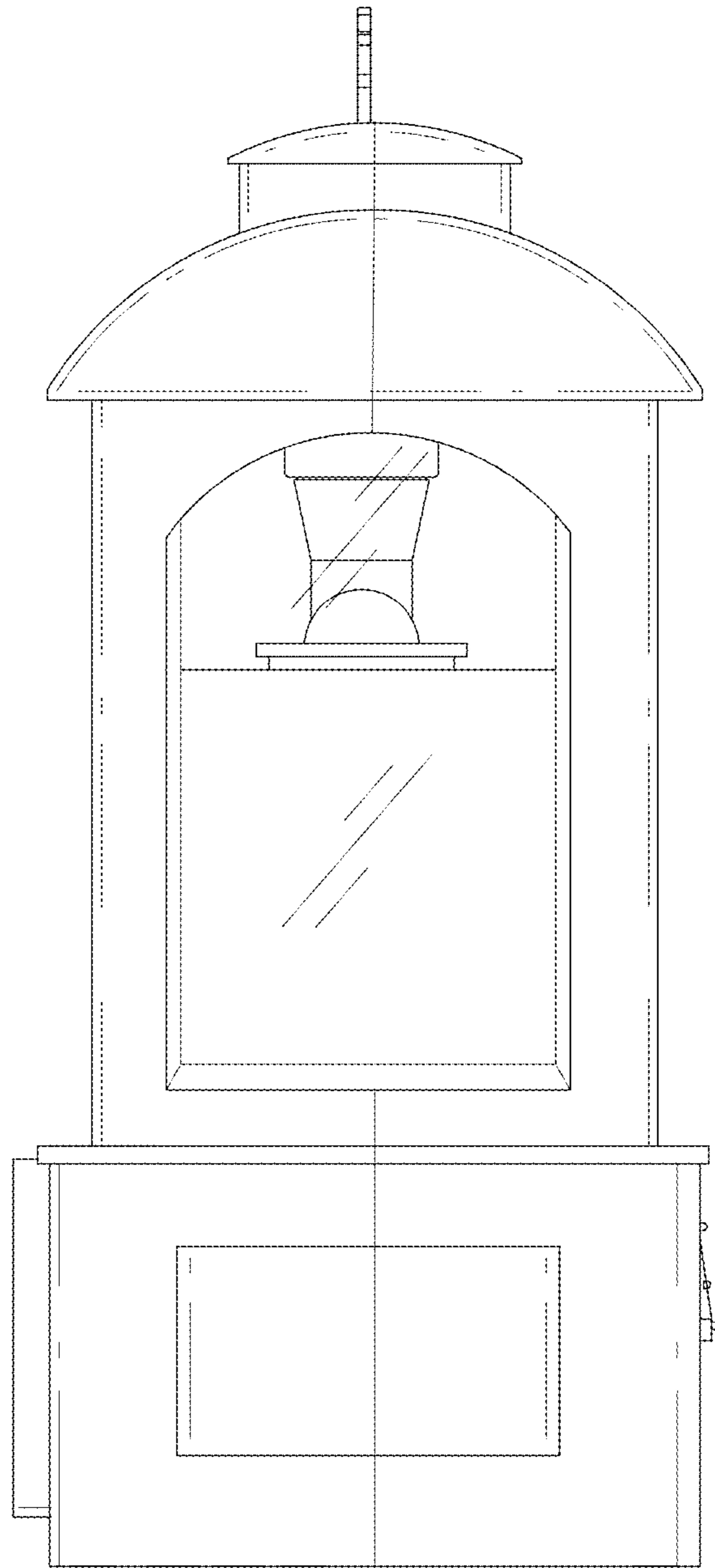


FIG. 3

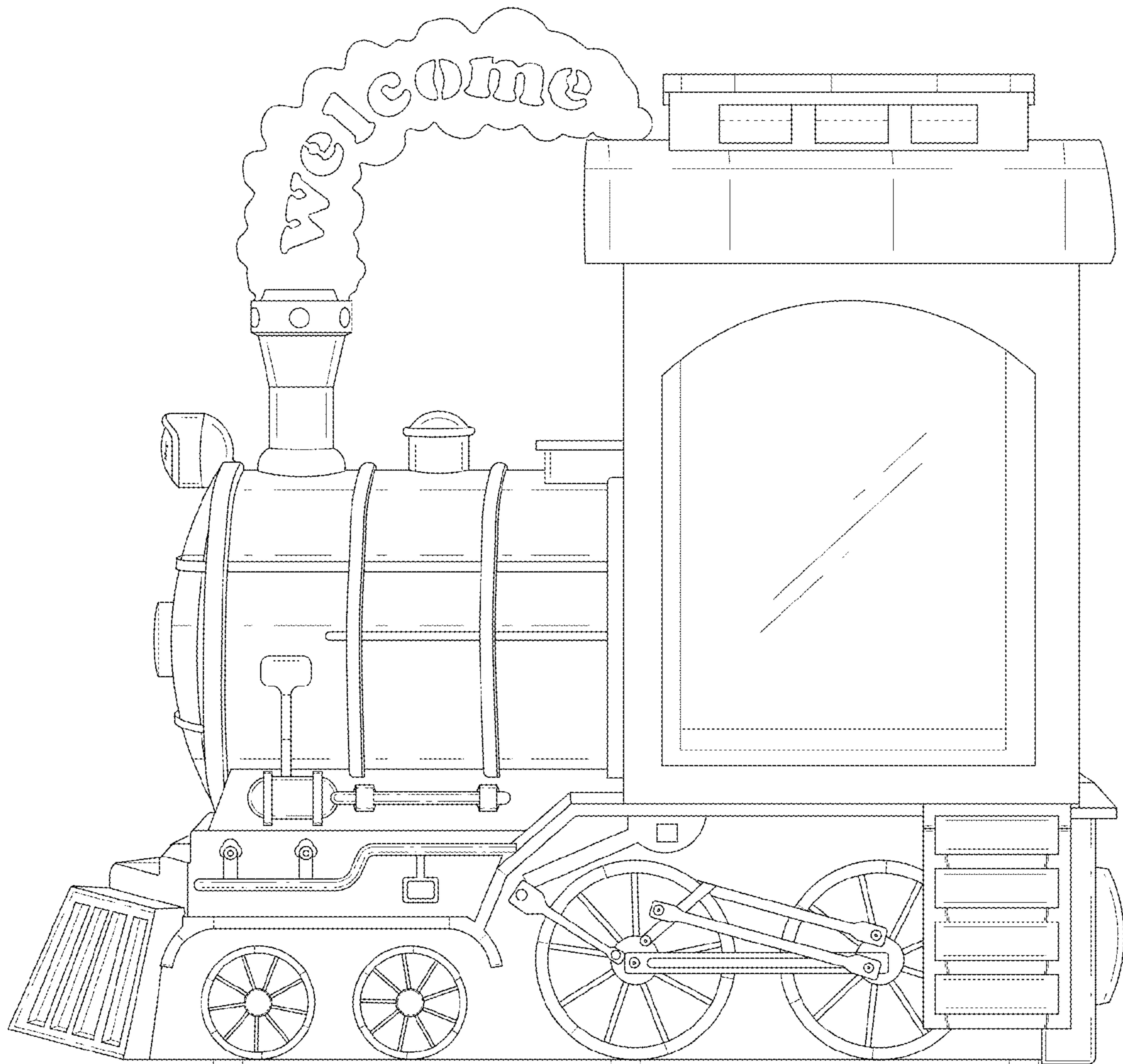


FIG. 4

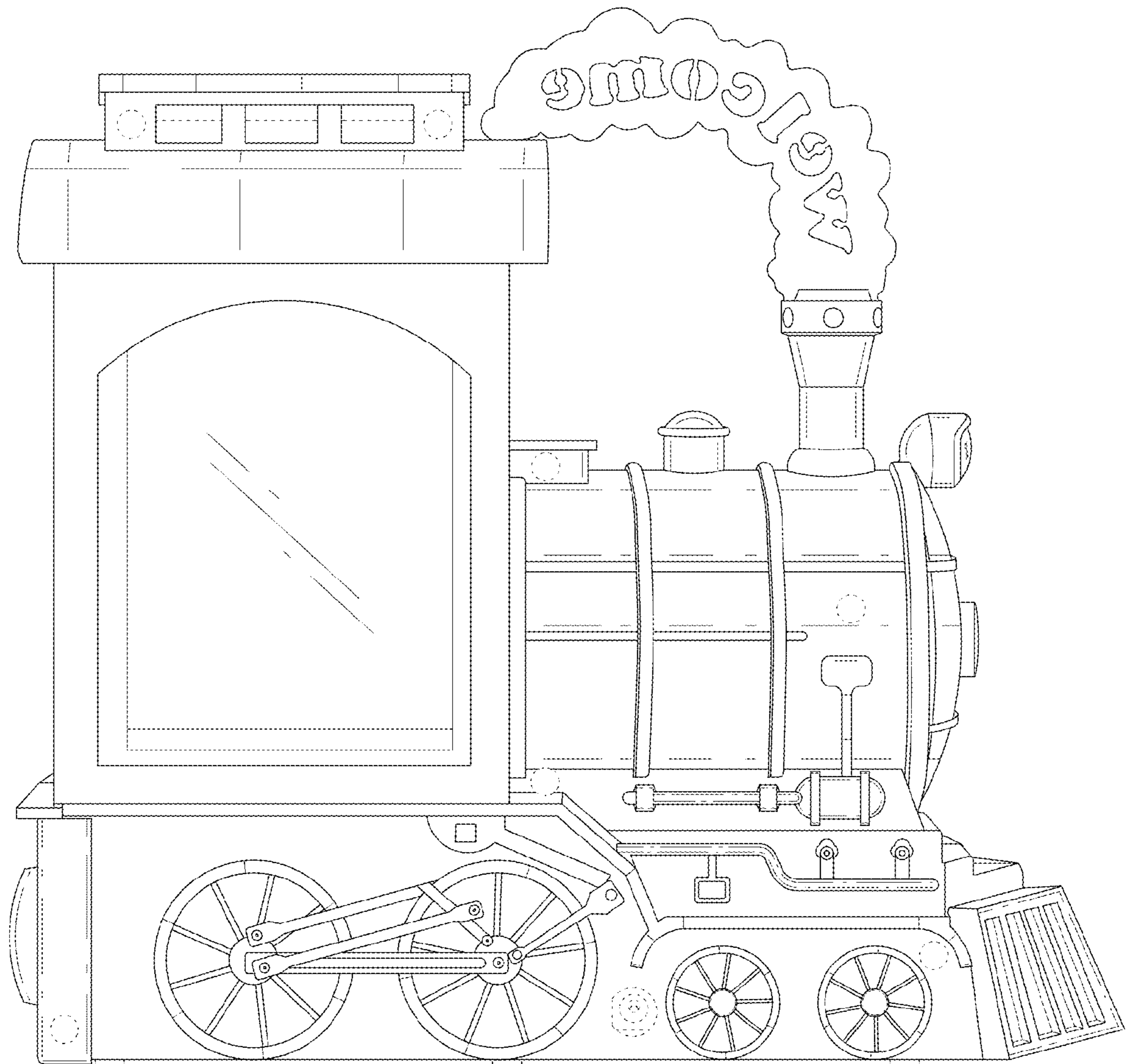


FIG. 5

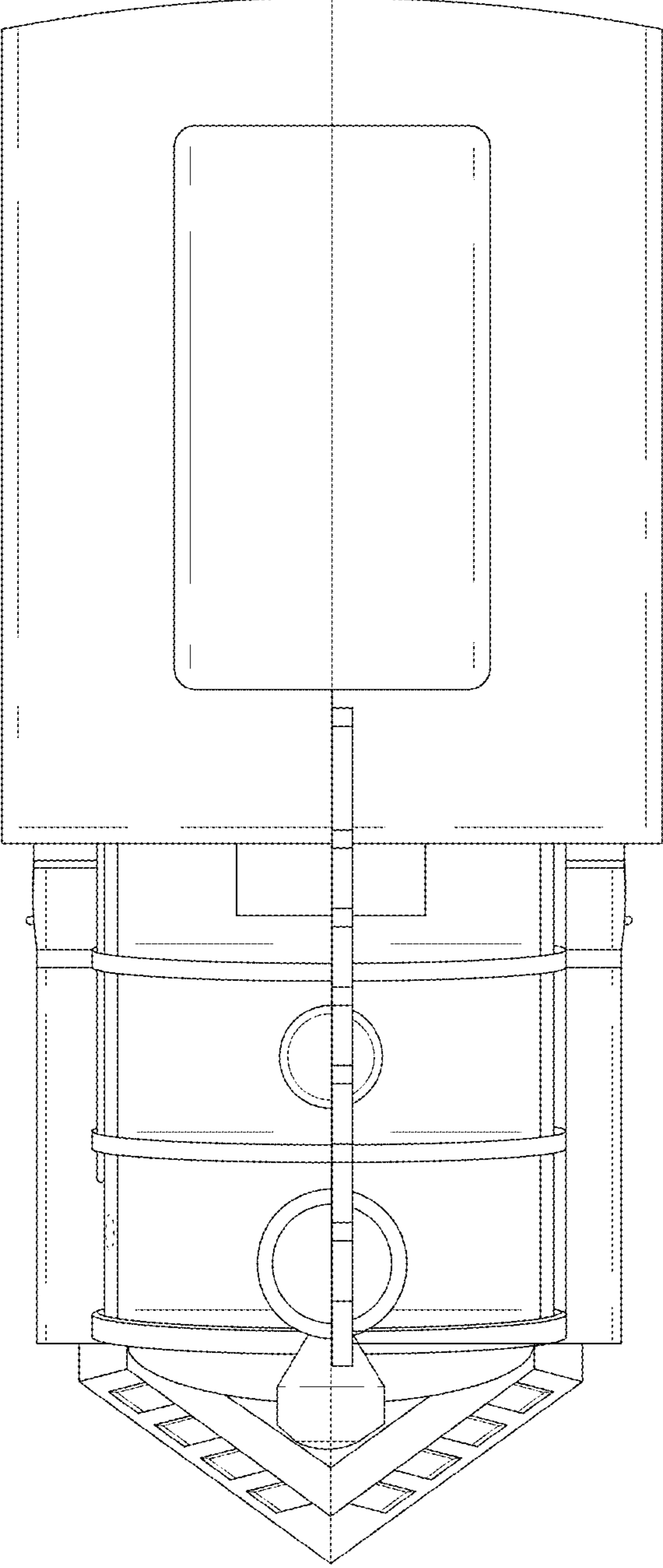


FIG. 6

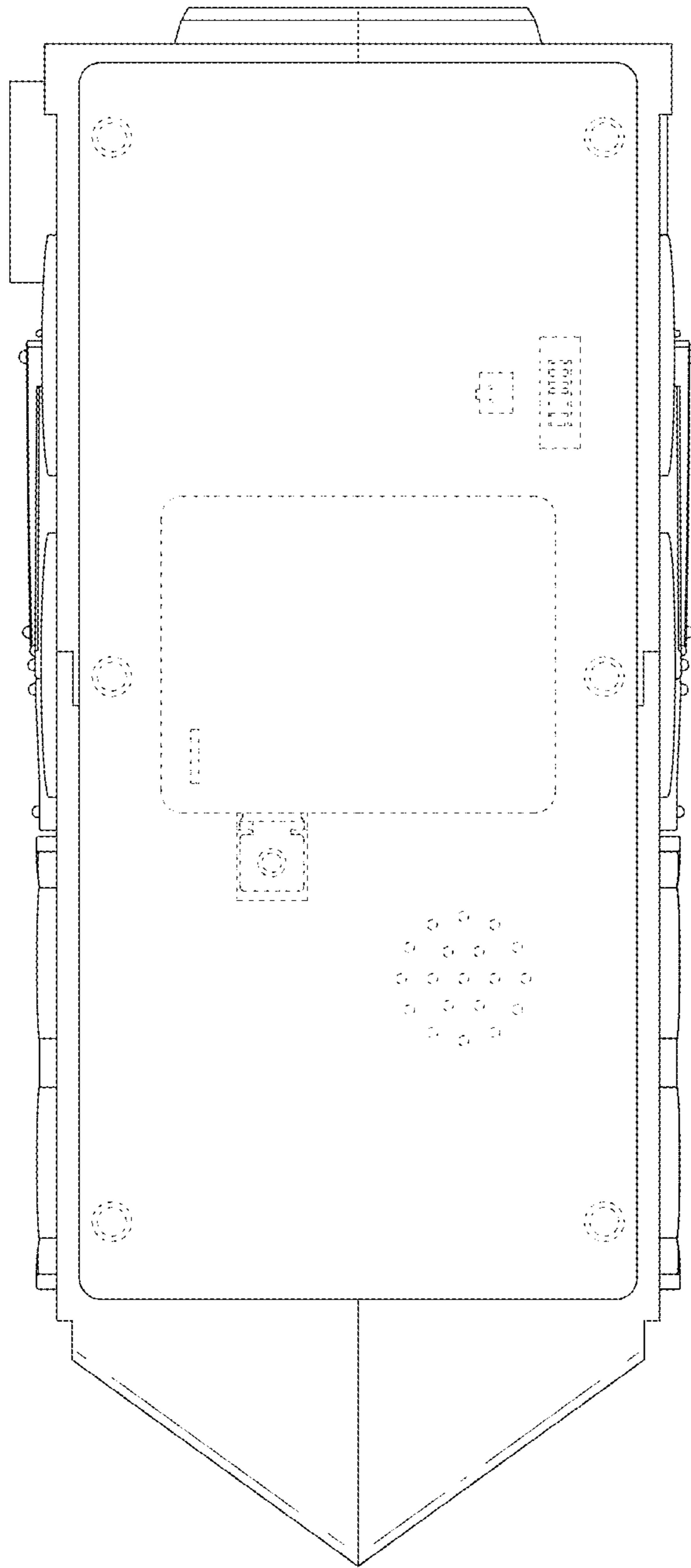


FIG. 7