



US00D952929S

(12) **United States Design Patent**
Van Duysen

(10) **Patent No.:** **US D952,929 S**

(45) **Date of Patent:** **** May 24, 2022**

- (54) **LAMP**
- (71) Applicant: **ANTARES ILUMINACION, S.A.U.**,
Valencia (ES)
- (72) Inventor: **Vincent Van Duysen**, Valencia (ES)
- (73) Assignee: **ANTARES ILUMINACION, S.A.U.**,
Ribarroja (ES)
- (**) Term: **15 Years**
- (21) Appl. No.: **35/509,982**
- (22) Filed: **May 21, 2020**

D549,383 S *	8/2007	Duggan	D26/85
D558,381 S *	12/2007	Horn	D26/85
D564,693 S *	3/2008	Ziliani	D26/85
D565,230 S *	3/2008	Hetfield	D26/72
D583,976 S *	12/2008	Horn	D26/72
D646,426 S *	10/2011	Wolk	D26/85
D680,674 S *	4/2013	Jepson	D26/87
D697,660 S *	1/2014	Sabernig	D26/87
D697,661 S *	1/2014	Sabernig	D26/87
D731,694 S *	6/2015	Tomlinson	F21V 1/14 D26/85
D760,939 S *	7/2016	Hoang	D26/85
D807,555 S *	1/2018	Harbs	D26/73
D833,056 S *	11/2018	Sonneman	D26/86
D844,581 S *	4/2019	Zhou	D14/142
D863,648 S *	10/2019	Amato	D26/87
D866,843 S *	11/2019	Benghozi	D26/87

(Continued)

(80) **Hague Agreement Data**

Int. Filing Date: **May 21, 2020**
 Int. Reg. No.: **DM/209504**
 Int. Reg. Date: **May 21, 2020**
 Int. Reg. Pub. Date: **Aug. 7, 2020**

- (51) **LOC (13) Cl.** **26-05**
- (52) **U.S. Cl.**
USPC **D26/87**
- (58) **Field of Classification Search**
USPC D26/24, 72, 80, 85, 86, 87, 88
CPC F21S 8/00; F21S 8/033; F21S 8/024; F21S
8/03; F21S 13/02; F21W 2121/004;
F21W 2131/107
See application file for complete search history.

(56) **References Cited**

U.S. PATENT DOCUMENTS

D113,125 S *	1/1939	Stewart et al.	D26/76
D213,279 S *	1/1969	Bernadotte et al.	D26/80
D294,739 S *	3/1988	Joerger	D26/87
D442,317 S *	5/2001	Crosby	D26/87
D465,298 S *	11/2002	Gottwald	D26/85
D473,967 S *	4/2003	Hoernig	D26/82
D487,814 S *	3/2004	Hoernig	D26/82
D487,815 S *	3/2004	Hoernig	D26/87

OTHER PUBLICATIONS

Astro Dartmouth Outdoor Wall Light, liminaires.co.uk, <https://www.liminaires.co.uk/al7586-astro-dartmouth-ip54-cylindrical-outdoor-wall-lights-up-down-6x1w-led-black.html> (Year: 2021).*

(Continued)

Primary Examiner — Steven J Czyz
 (74) *Attorney, Agent, or Firm* — Hayes Soloway P.C.

(57) **CLAIM**

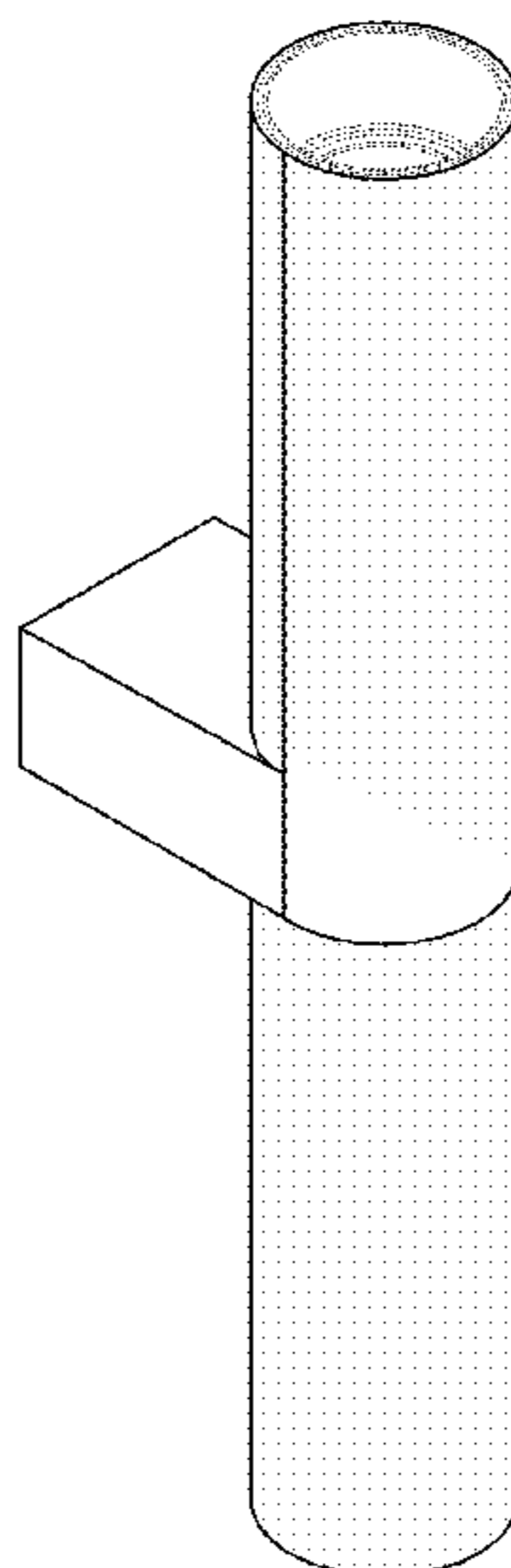
The ornamental design for a lamp, as shown and described.

DESCRIPTION

- 1.1:** Left Side View
- 1.2:** Rear View
- 1.3:** Bottom View
- 1.4:** Left Side View
- 1.5:** Top View
- 1.6:** Perspective View
- 1.7:** Front View

The broken lines shown in the drawings depict portions of the article that form no part of the claimed design.

1 Claim, 7 Drawing Sheets



(56)

References Cited

U.S. PATENT DOCUMENTS

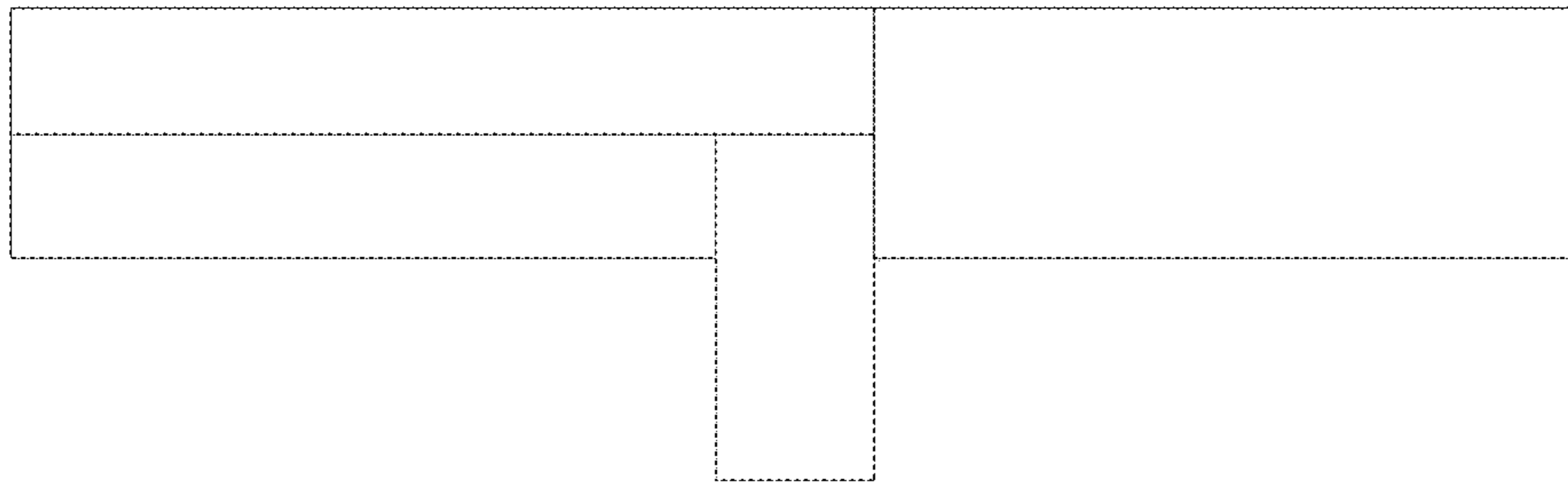
D867,101 S * 11/2019 Minale D8/307
D895,171 S * 9/2020 Broom D26/2
D908,946 S * 1/2021 Lainez D26/87
2003/0174500 A1 * 9/2003 Kameda F21V 1/14
362/240

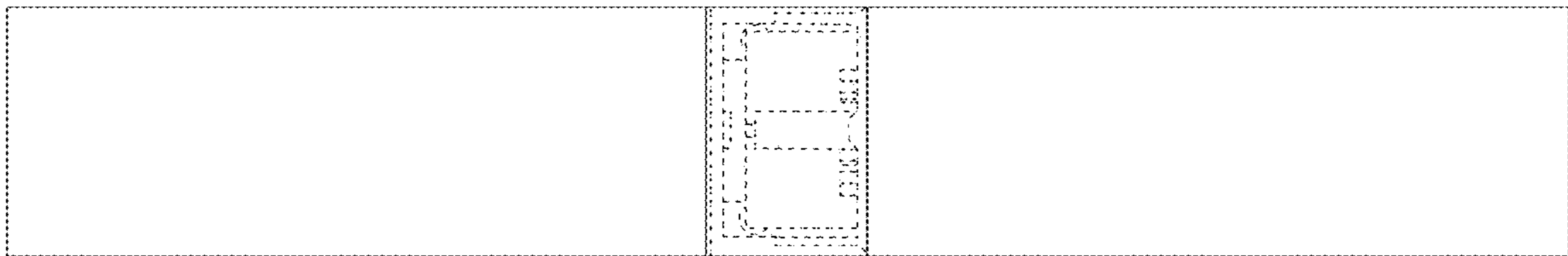
OTHER PUBLICATIONS

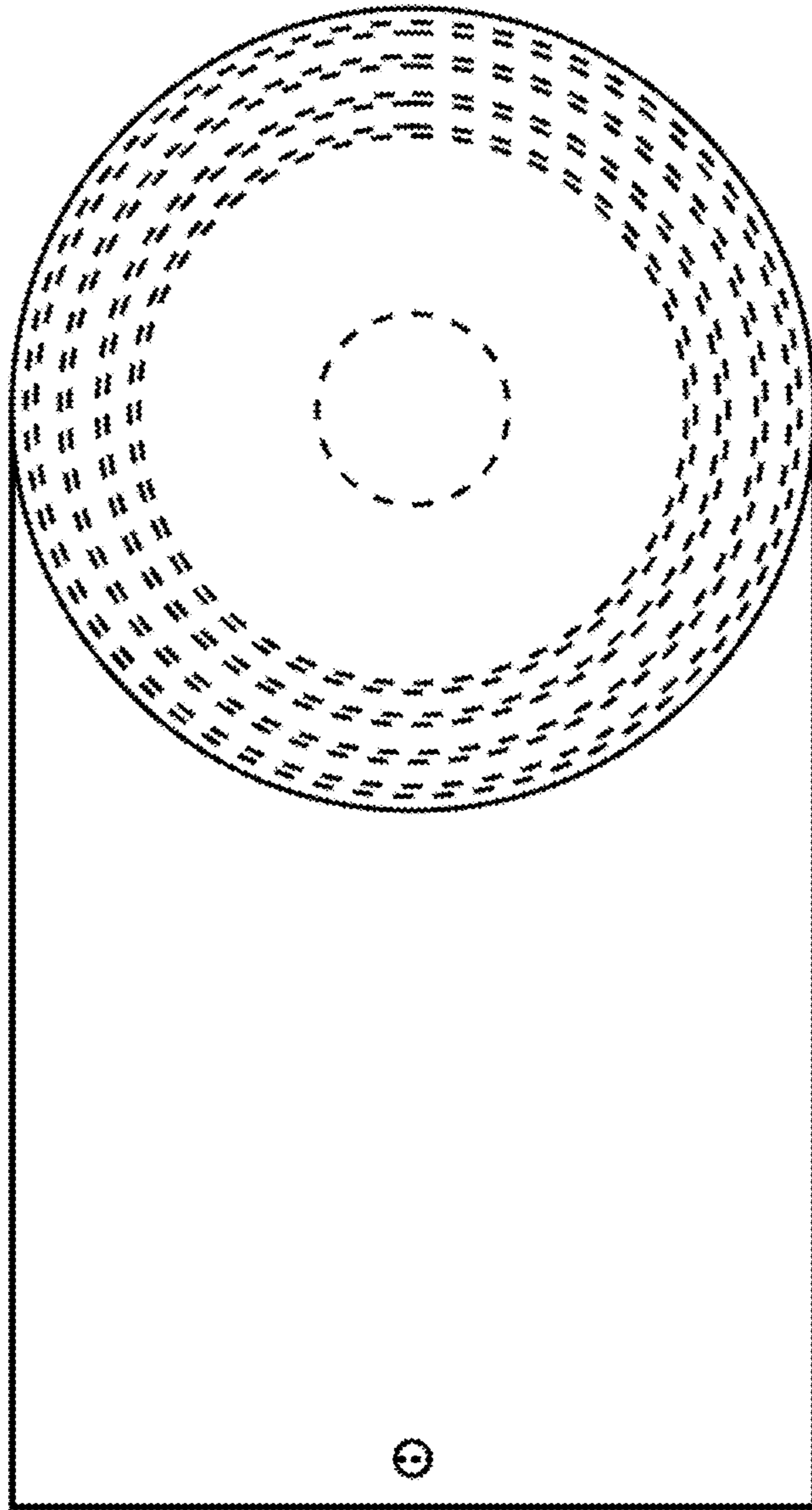
Faro Wall Lamp, [lightshopping.com](https://www.lightshopping.com/en/stan-ap-cylindrical-wall-lamp), <https://www.lightshopping.com/en/stan-ap-cylindrical-wall-lamp> (Year: 2021).*

LED Outdoor Cylinder Wall Light, [superiorlighting.com](https://www.superiorlighting.com/led-outdoor-cylinder-wall-light-great-for-porch-deck-patio-balcony-or-side-entrance/), <https://www.superiorlighting.com/led-outdoor-cylinder-wall-light-great-for-porch-deck-patio-balcony-or-side-entrance/> (Year: 2021).*

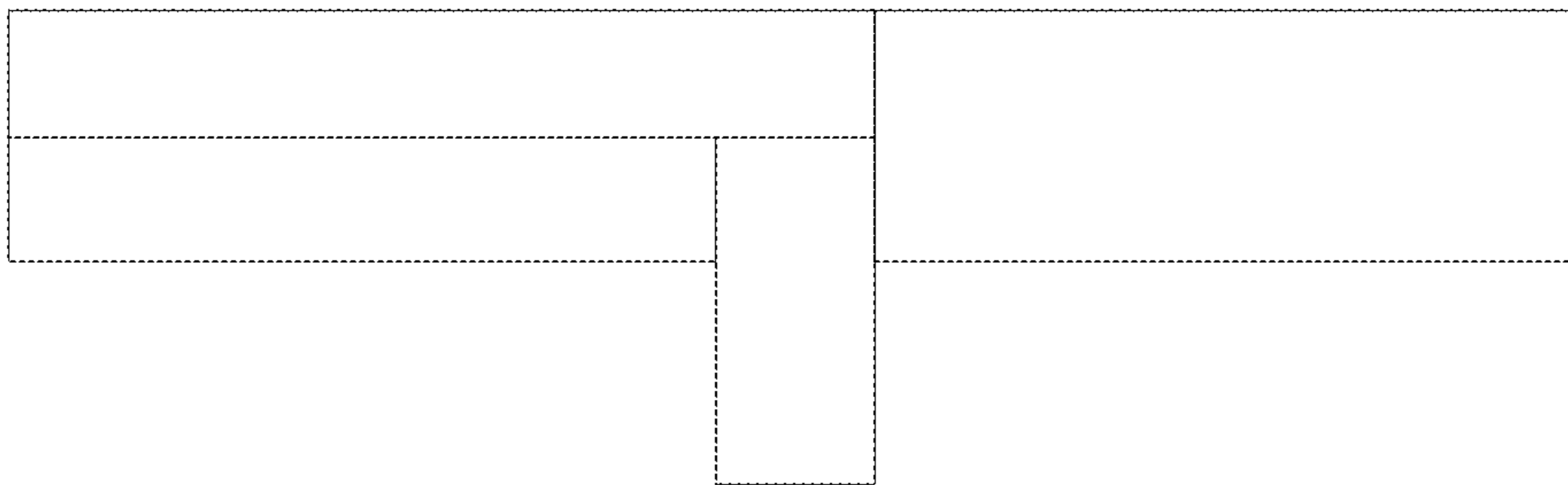
* cited by examiner



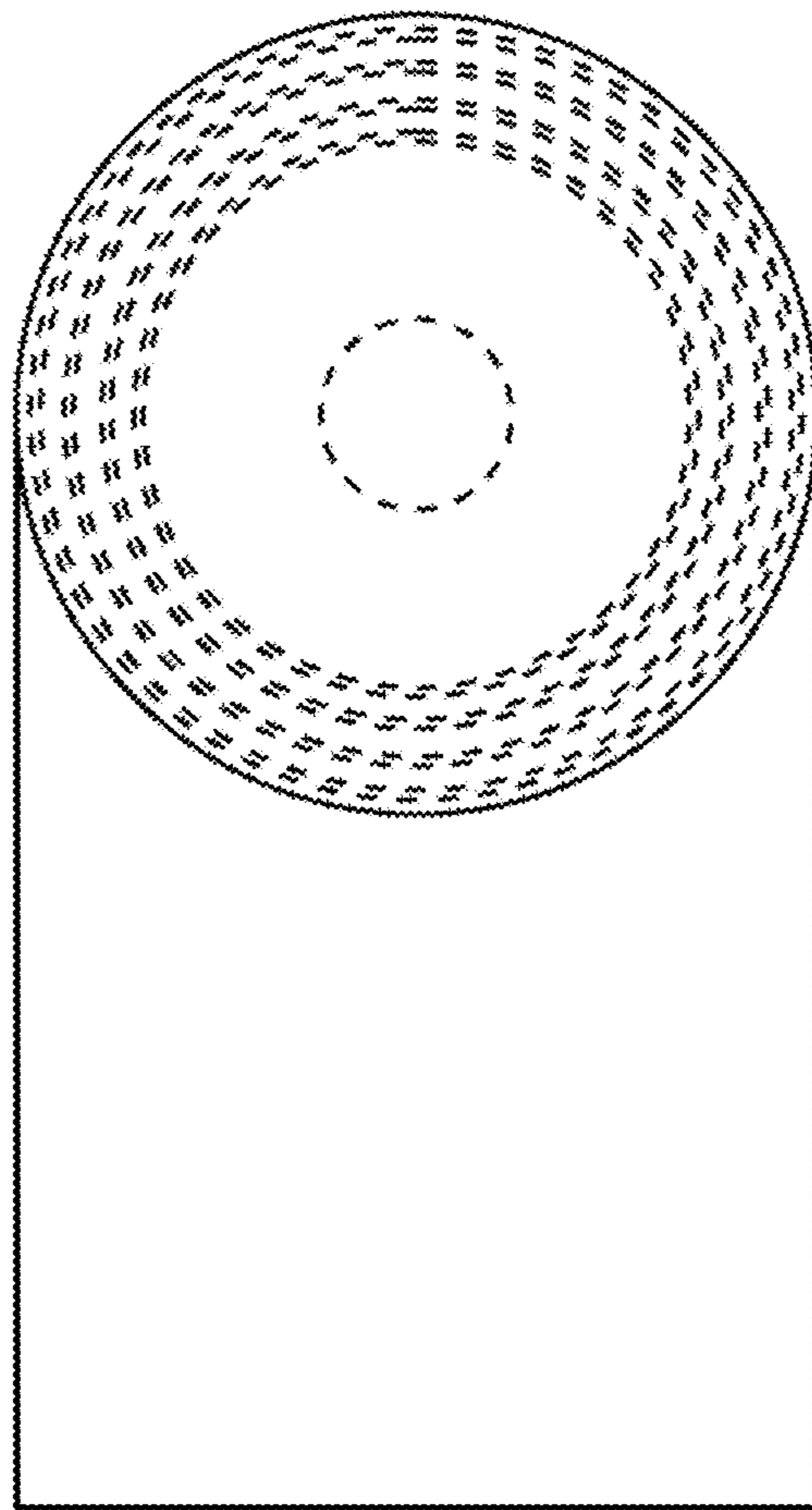




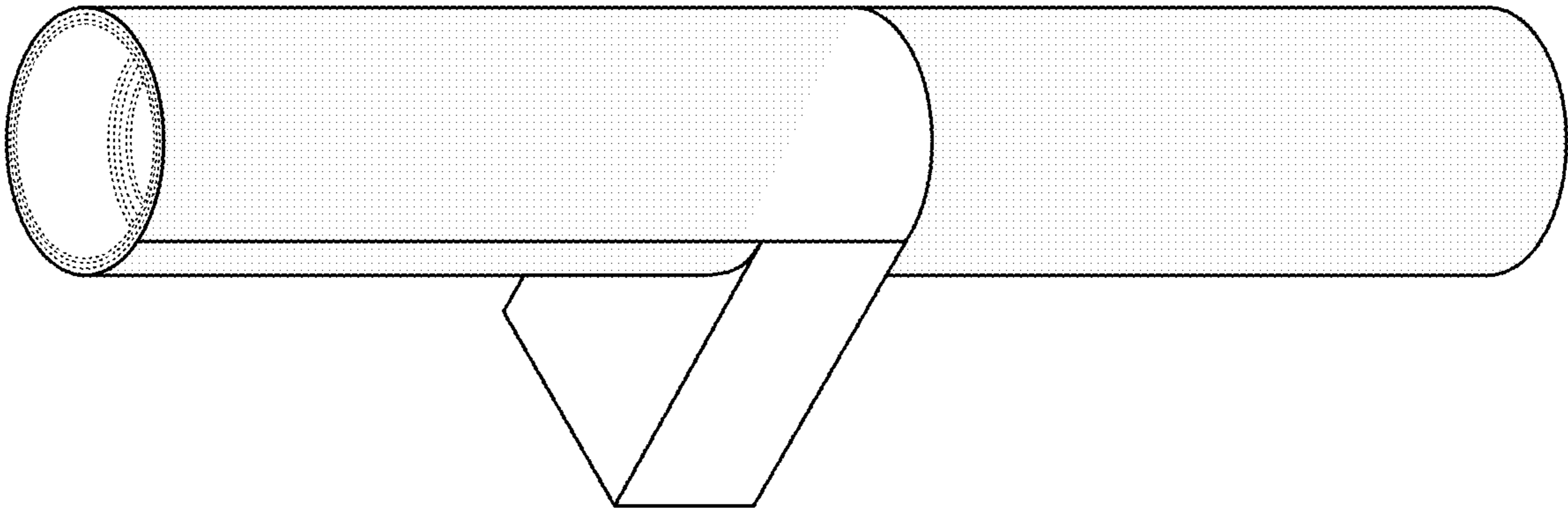
1.3



1.4



1.5



1.6

1.7

