



US00D952927S

(12) **United States Design Patent**  
**Van Duysen**

(10) **Patent No.:** **US D952,927 S**

(45) **Date of Patent:** **\*\* May 24, 2022**

(54) **LAMP**

(71) Applicant: **ANTARES ILUMINACION, S.A.U.**,  
Ribarroja (ES)

(72) Inventor: **Vincent Van Duysen**, Valencia (ES)

(73) Assignee: **ANTARES ILUMINACION, S.A.U.**,  
Ribarroja (ES)

(\*\*) Term: **15 Years**

(21) Appl. No.: **35/510,015**

(22) Filed: **May 21, 2020**

(80) **Hague Agreement Data**

Int. Filing Date: **May 21, 2020**

Int. Reg. No.: **DM/209502**

Int. Reg. Date: **May 21, 2020**

Int. Reg. Pub. Date: **Aug. 7, 2020**

(51) **LOC (13) Cl.** ..... **26-05**

(52) **U.S. Cl.**  
USPC ..... **D26/81**

(58) **Field of Classification Search**  
USPC ..... D26/24, 72, 73, 80, 81, 82, 84, 85, 86,  
D26/87, 88, 90, 92  
CPC ..... F21S 8/00; F21S 8/003; F21S 8/04; F21S  
8/043; F21S 8/046; F21S 8/06; F21S  
8/061; F21S 8/063; F21S 8/065; F21S  
8/066; F21S 8/068  
See application file for complete search history.

(56) **References Cited**

**U.S. PATENT DOCUMENTS**

D332,840 S *	1/1993	Cohon	.....	D26/93
D590,980 S *	4/2009	Sabernig	.....	D26/63
D618,843 S *	6/2010	Sabernig	.....	D26/88
D634,887 S *	3/2011	Kitts	.....	D26/143
D645,188 S *	9/2011	Sabernig	.....	D26/65
D645,598 S *	9/2011	Sabernig	.....	D26/65

D761,990 S *	7/2016	Ng	.....	D26/80
D780,979 S *	3/2017	Urquiola	.....	D26/88
D791,388 S *	7/2017	Sonneman	.....	D26/90
D792,633 S *	7/2017	Sonneman	.....	D26/90
D806,304 S *	12/2017	Amato	.....	D26/81
D812,800 S *	3/2018	Martin	.....	D26/81
D828,607 S *	9/2018	Sonneman	.....	D26/81
D828,945 S *	9/2018	Crocker	.....	D26/81
D862,767 S *	10/2019	Pomputius	.....	D26/81
D865,263 S *	10/2019	Amato	.....	D26/81
D889,724 S *	7/2020	Richardson	.....	D26/81
D917,760 S *	4/2021	Lissoni	.....	D26/72
D917,770 S *	4/2021	Yuan	.....	D26/90
D919,872 S *	5/2021	Hendifar	.....	D26/84
D920,559 S *	5/2021	Hendifar	.....	D26/84
D920,562 S *	5/2021	Hendifar	.....	D26/88
D922,652 S *	6/2021	Kehoe	.....	D26/81
D923,851 S *	6/2021	Symons	.....	D26/81

**OTHER PUBLICATIONS**

LITFAD Art Deco Round Chandelier 6 Heads LED Ceiling Pendant Light, amazon.com, <https://www.amazon.com/LITFAD-Chandelier-Creative-Kindergarten-Restaurant/dp/B08JQ2KCDQ> (Year: 2020).\*

\* cited by examiner

*Primary Examiner* — Steven J Czyz

(74) *Attorney, Agent, or Firm* — Hayes Soloway P.C.

(57) **CLAIM**

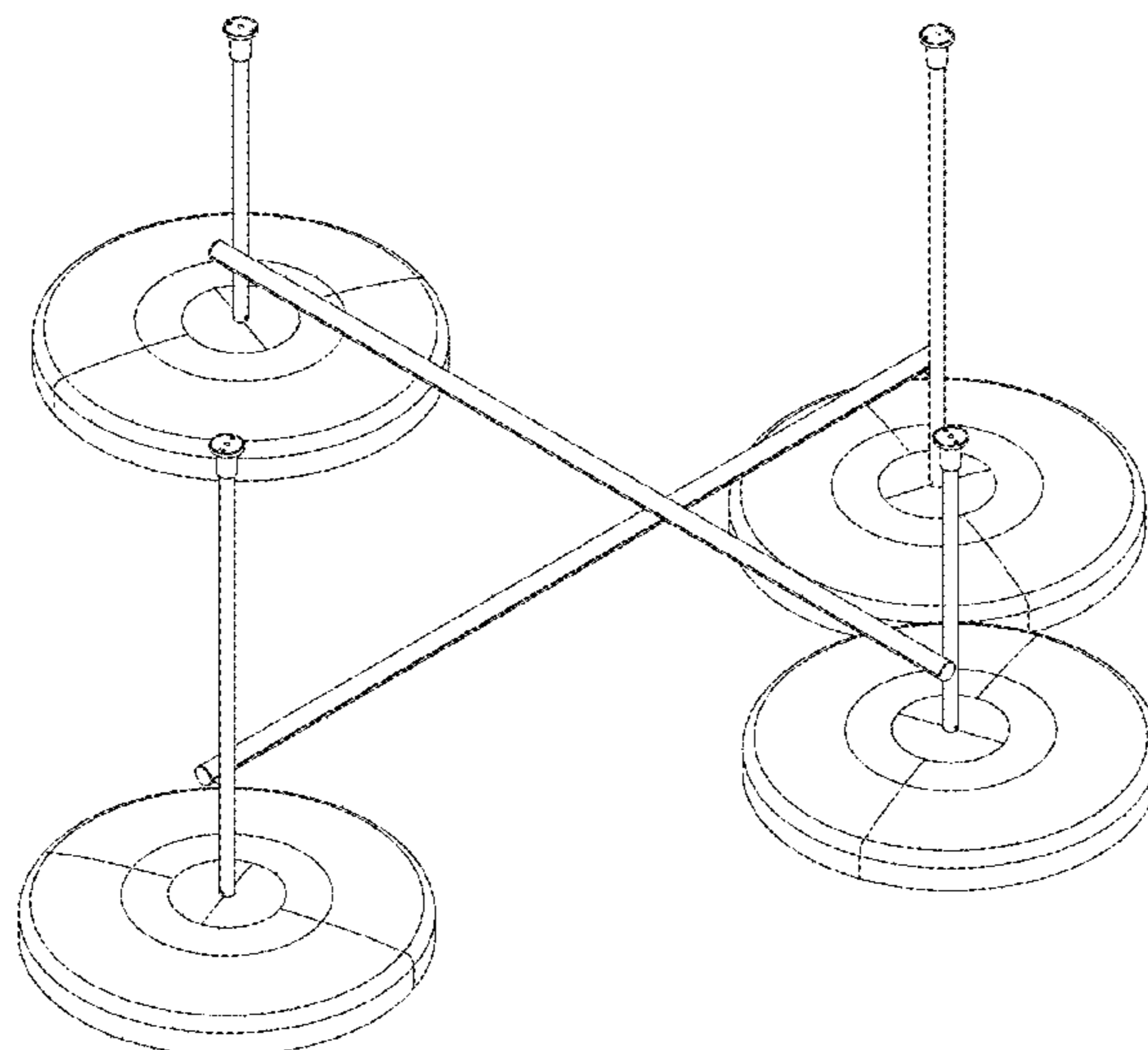
The ornamental design for a lamp, as shown and described.

**DESCRIPTION**

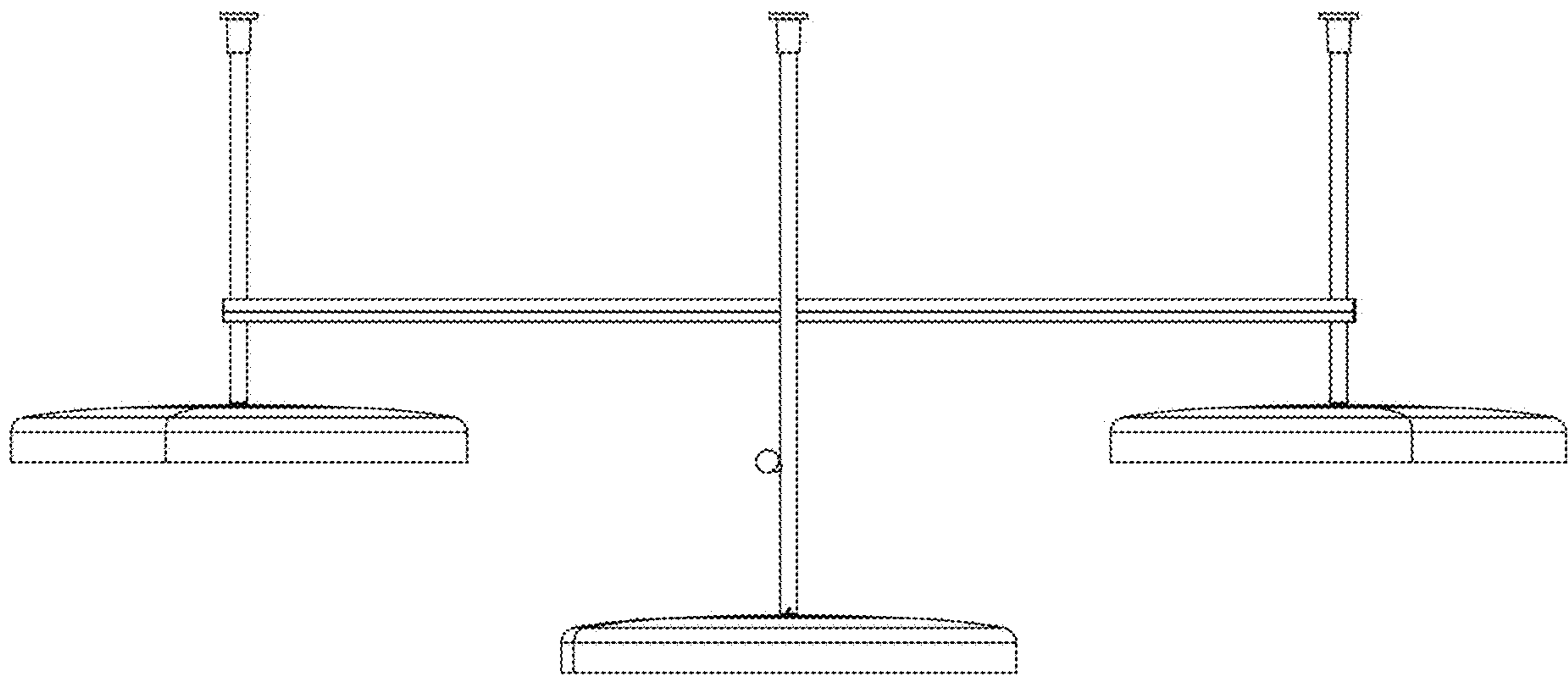
- 1.1: Front View
- 1.2: Right Side View
- 1.3: Rear View
- 1.4: Bottom View
- 1.5: Perspective View
- 1.6: Top View
- 1.7: Left Side View

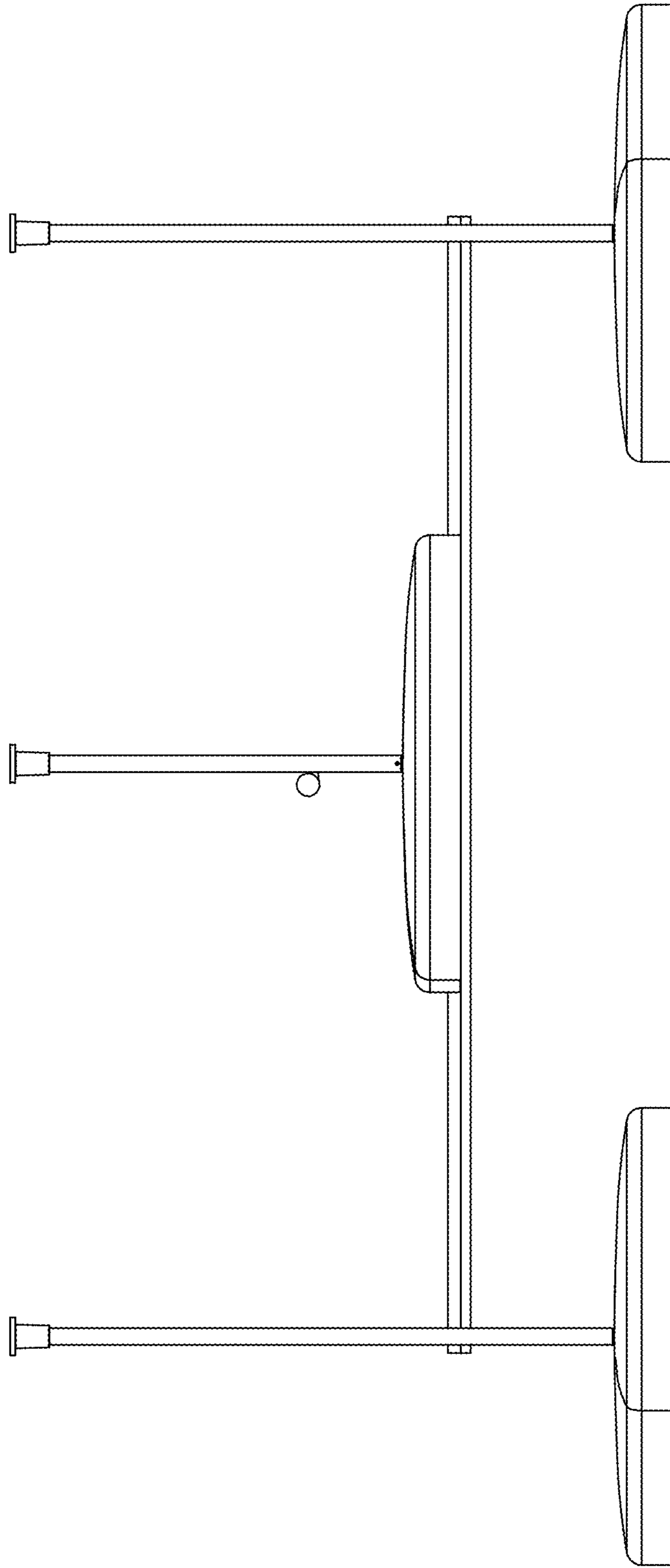
The broken lines shown in the drawings depict portions of the article that form no part of the claimed design.

**1 Claim, 7 Drawing Sheets**

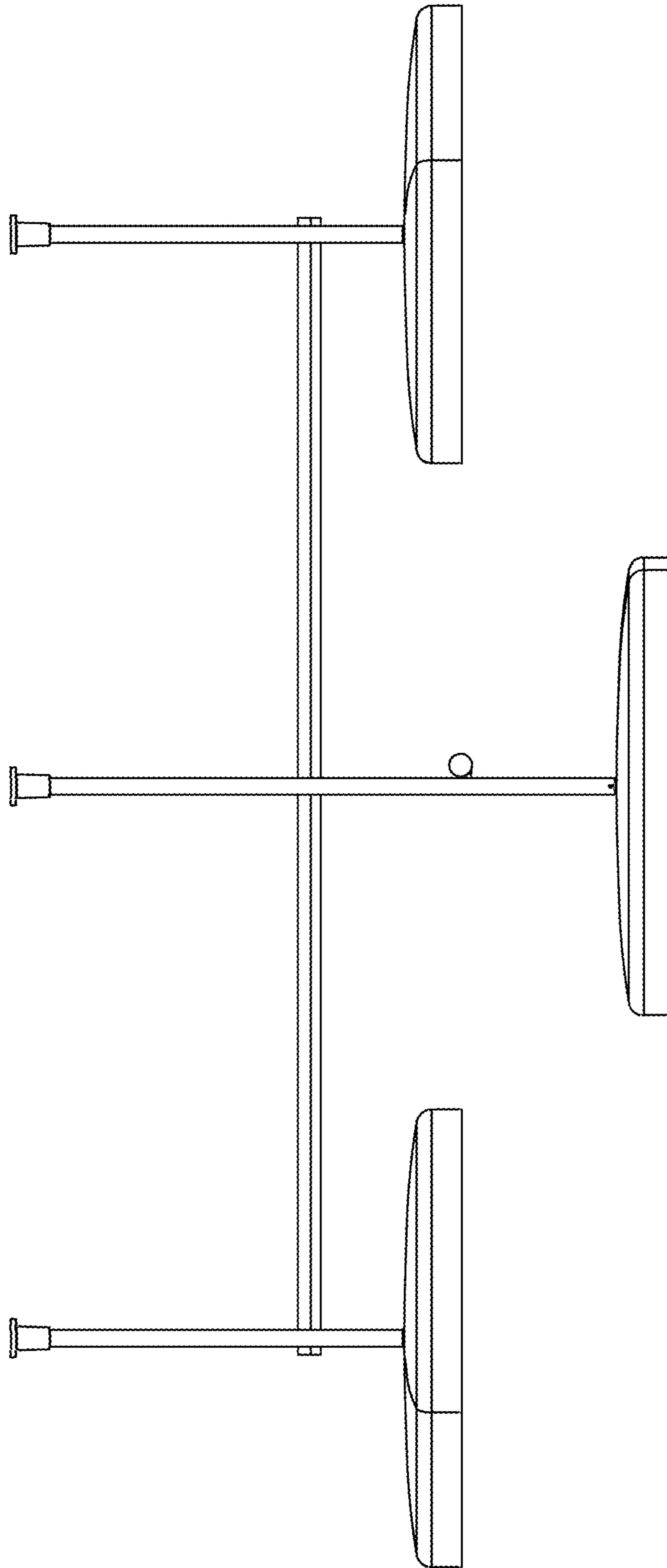


1.1

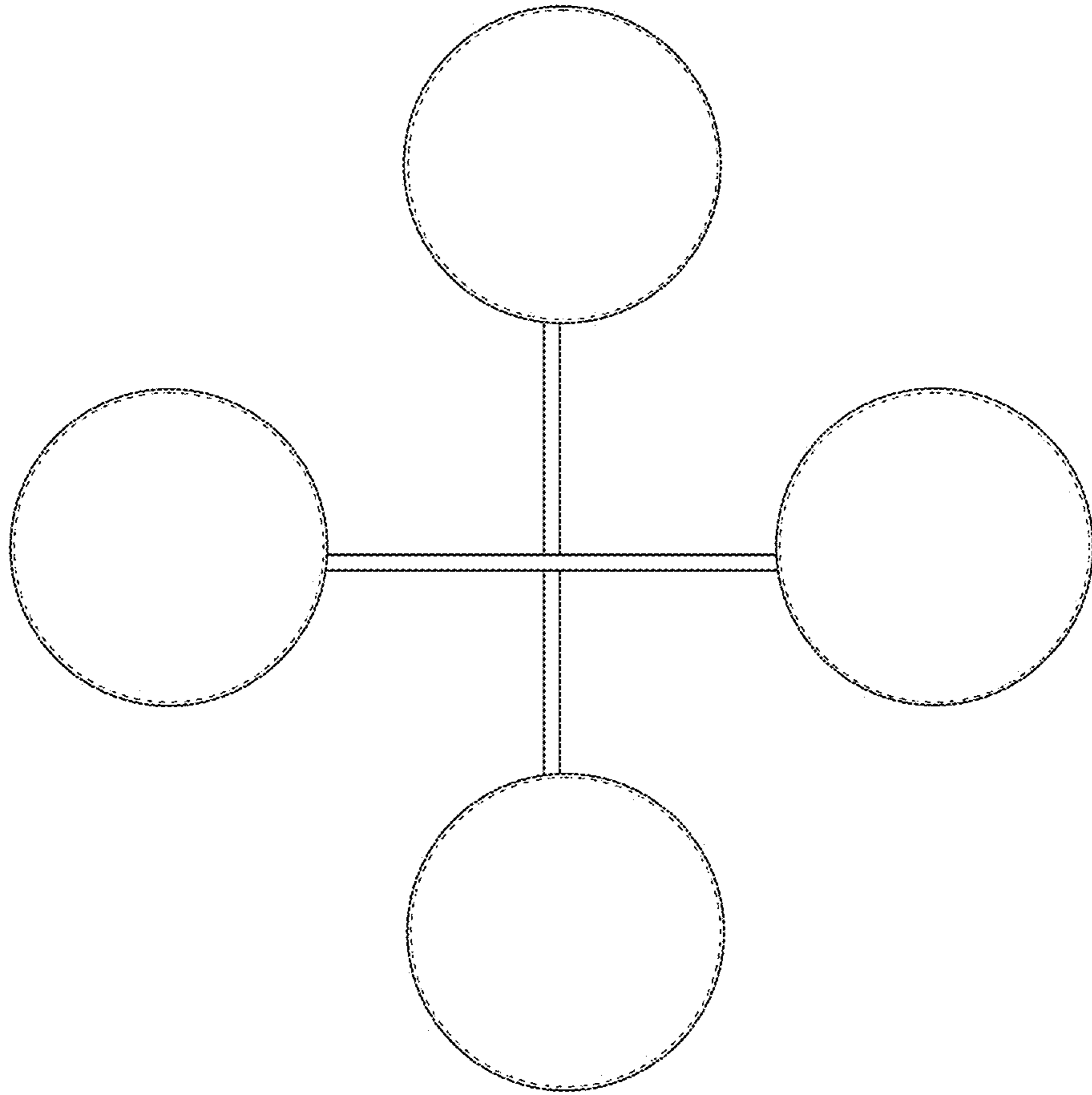




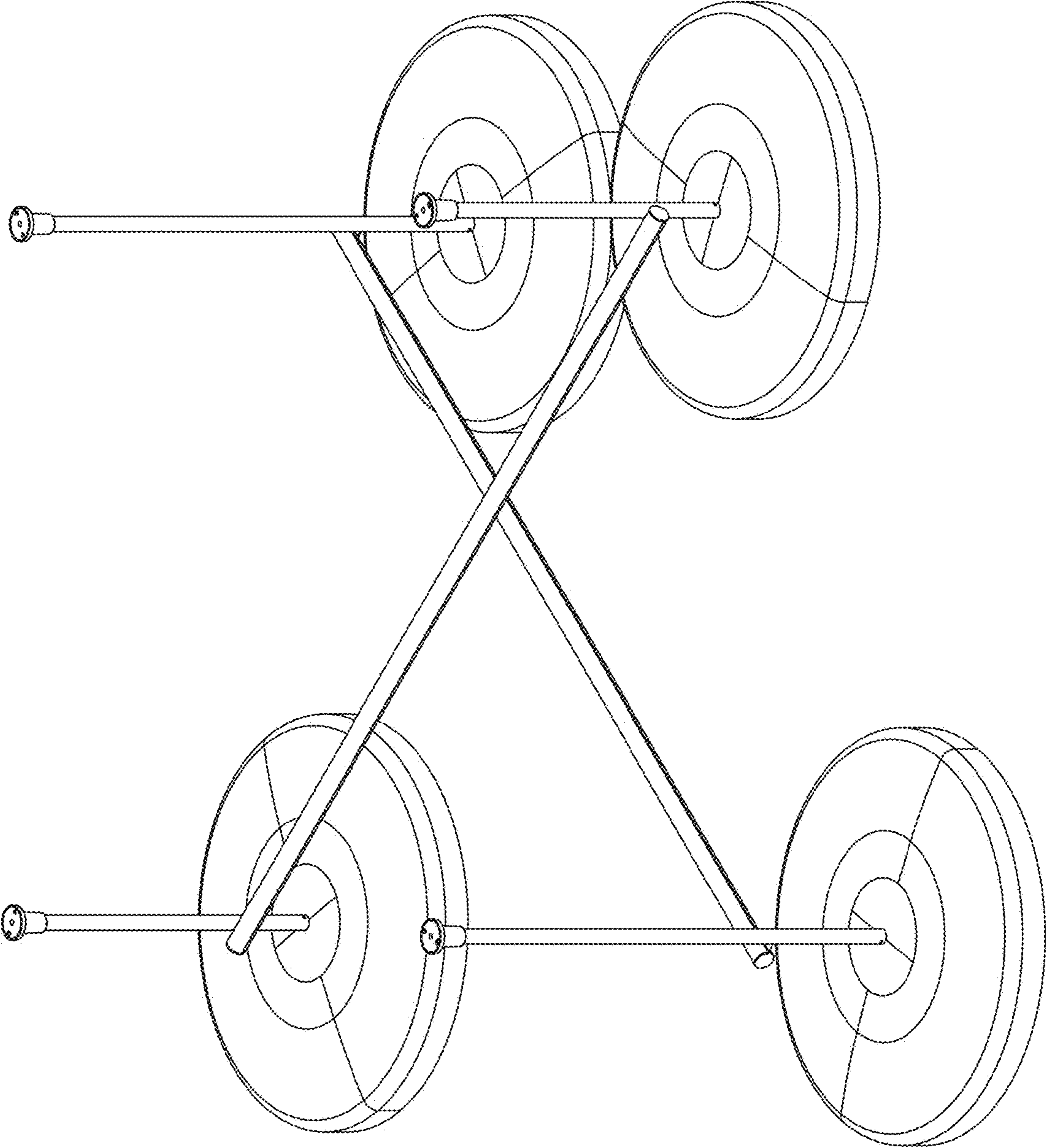
1.2



1.3

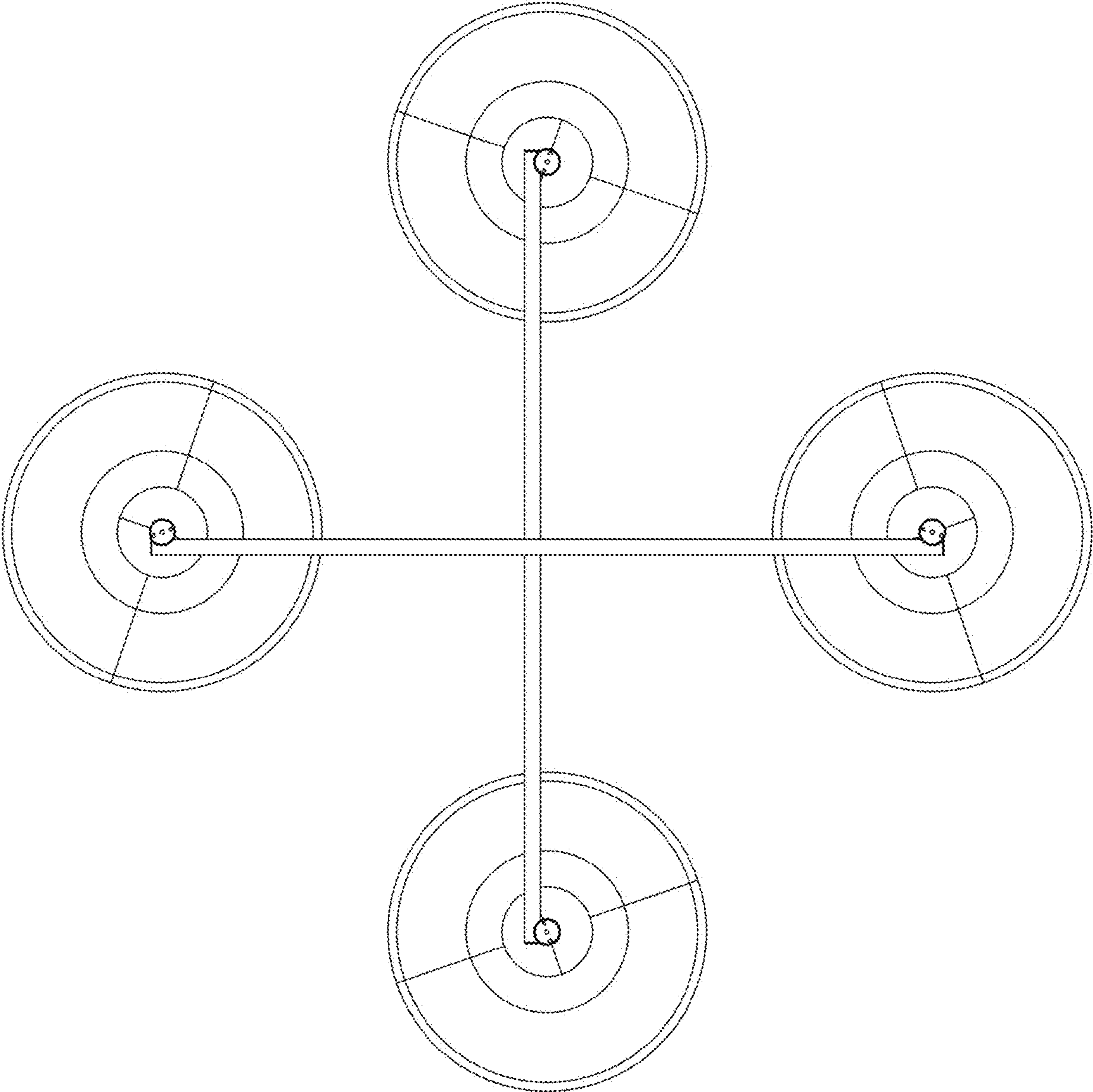


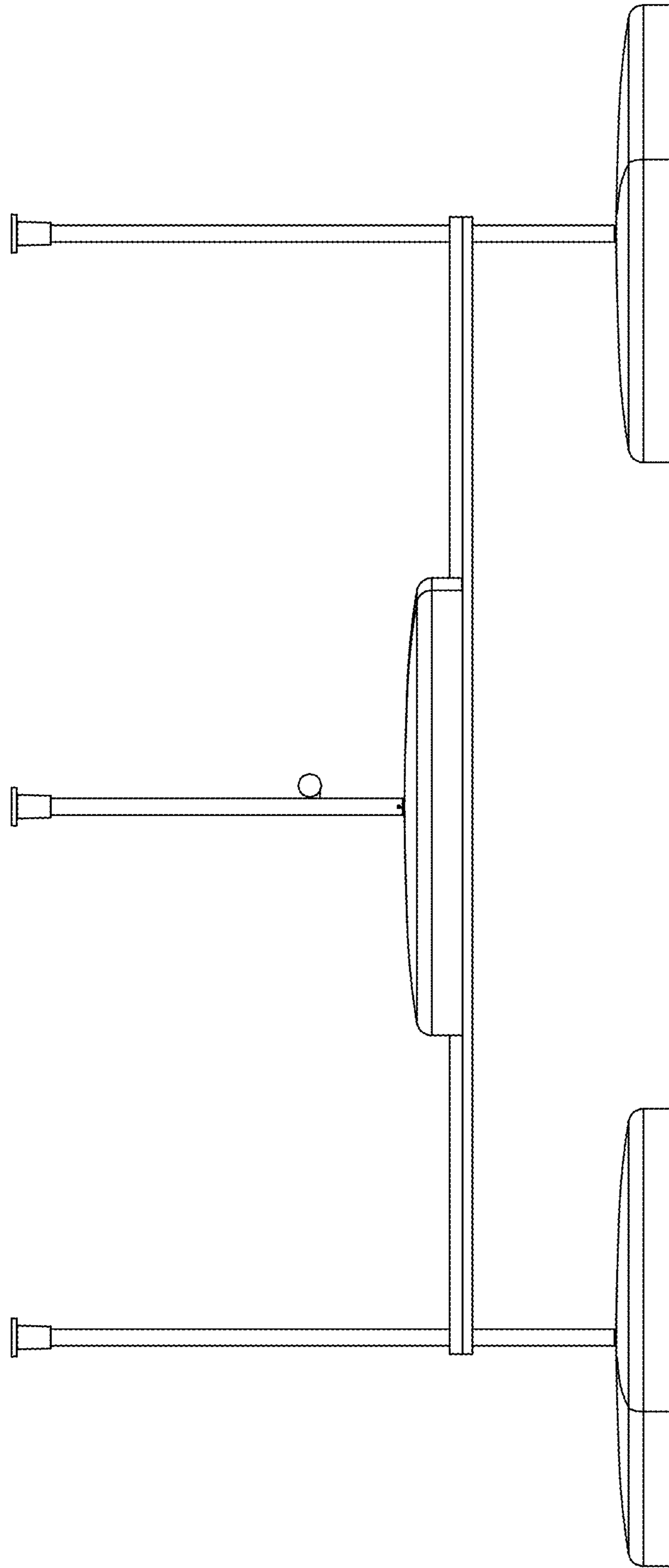
1.4



1.5

1.6





1.7