



US00D952926S

(12) **United States Design Patent**  
**Van Duysen**

(10) **Patent No.:** **US D952,926 S**

(45) **Date of Patent:** **\*\* May 24, 2022**

(54) **LAMP**  
(71) Applicant: **ANTARES ILUMINACION, S.A.U.**,  
Ribarroja (ES)  
(72) Inventor: **Vincent Van Duysen**, Valencia (ES)  
(73) Assignee: **ANTARES ILUMINACION, S.A.U.**,  
Ribarroja (ES)  
(\*\*) Term: **15 Years**  
(21) Appl. No.: **35/509,975**  
(22) Filed: **May 21, 2020**  
(80) **Hague Agreement Data**  
Int. Filing Date: **May 21, 2020**  
Int. Reg. No.: **DM/209505**  
Int. Reg. Date: **May 21, 2020**  
Int. Reg. Pub. Date: **Aug. 7, 2020**

D542,456 S \* 5/2007 Swanson ..... D26/65  
D570,030 S \* 5/2008 Starck ..... D26/84  
7,410,138 B2 \* 8/2008 Parsons ..... F16M 11/04  
248/278.1  
D590,980 S \* 4/2009 Sabernig ..... D26/63  
D620,168 S \* 7/2010 Sabernig ..... D26/63  
D620,178 S \* 7/2010 Sabernig ..... D26/84  
D620,179 S \* 7/2010 Sabernig ..... D26/84  
D620,629 S \* 7/2010 Sabernig ..... D26/84  
D620,632 S \* 7/2010 Wanders ..... D26/88  
D634,046 S \* 3/2011 Sabernig ..... D26/84  
D645,188 S \* 9/2011 Sabernig ..... D26/65  
D645,598 S \* 9/2011 Sabernig ..... D26/65  
D649,674 S \* 11/2011 Sabernig ..... D26/84  
D655,852 S \* 3/2012 Sabernig ..... D26/88  
D700,390 S \* 2/2014 Sabernig ..... D26/90  
D730,561 S \* 5/2015 Loebach ..... D26/88  
D761,478 S \* 7/2016 Ng ..... D26/80  
D772,467 S \* 11/2016 Sonneman ..... D26/88  
D772,468 S \* 11/2016 Sonneman ..... D26/90  
D773,101 S \* 11/2016 Sonneman ..... D26/88  
D775,397 S \* 12/2016 Sonneman ..... D26/90  
D780,979 S \* 3/2017 Urquiola ..... D26/88  
D791,388 S \* 7/2017 Sonneman ..... D26/90  
D792,633 S \* 7/2017 Sonneman ..... D26/90  
D794,863 S \* 8/2017 Sonneman ..... D26/87

(Continued)

(51) **LOC (13) Cl.** ..... **26-05**  
(52) **U.S. Cl.**  
USPC ..... **D26/81**  
(58) **Field of Classification Search**  
USPC ..... D26/24, 72, 73, 80, 81, 82, 84, 85, 86,  
D26/87, 88, 90, 92  
CPC .... F21S 8/04; F21S 8/043; F21S 8/046; F21S  
8/006; F21S 8/06; F21S 8/061; F21S  
8/063; F21S 8/065; F21S 8/066; F21S  
8/068  
See application file for complete search history.

*Primary Examiner* — Steven J Czyz  
(74) *Attorney, Agent, or Firm* — Hayes Soloway P.C.

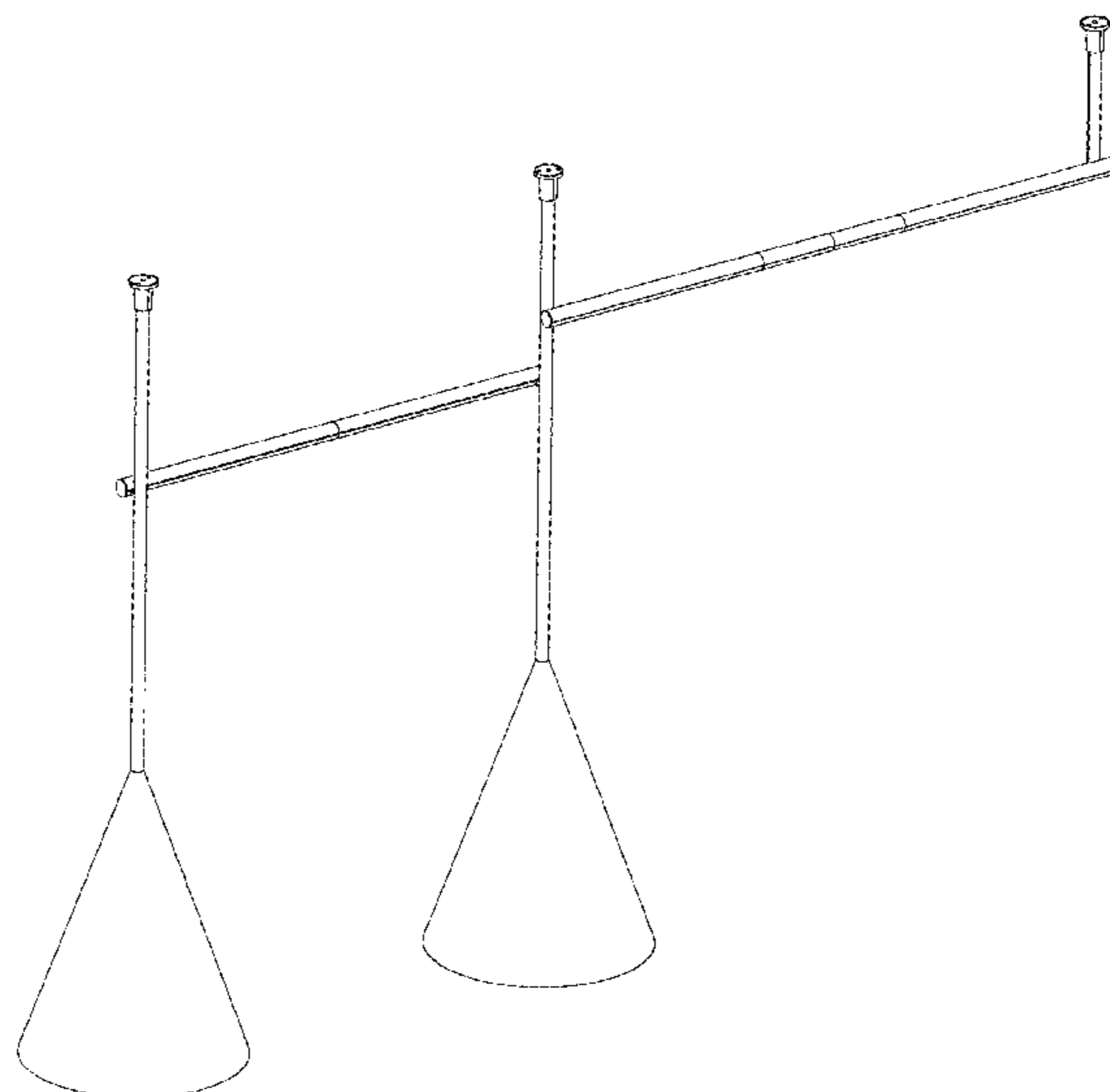
(56) **References Cited**  
U.S. PATENT DOCUMENTS  
3,240,925 A \* 3/1966 Paschke ..... F21V 21/30  
362/33  
D320,465 S \* 10/1991 Sonneman ..... D26/86  
D373,002 S \* 8/1996 Porter ..... D26/144  
D416,643 S \* 11/1999 Benghozi ..... D26/86

(57) **CLAIM**  
The ornamental design for a lamp, as shown and described.

**DESCRIPTION**

1.1: Perspective View  
1.2: Front View  
1.3: Right Side View  
1.4: Rear View  
1.5: Bottom View  
1.6: Top View  
1.7: Left Side View  
The broken lines shown in the drawings depict portions of the article that form no part of the claimed design.

**1 Claim, 7 Drawing Sheets**



(56)

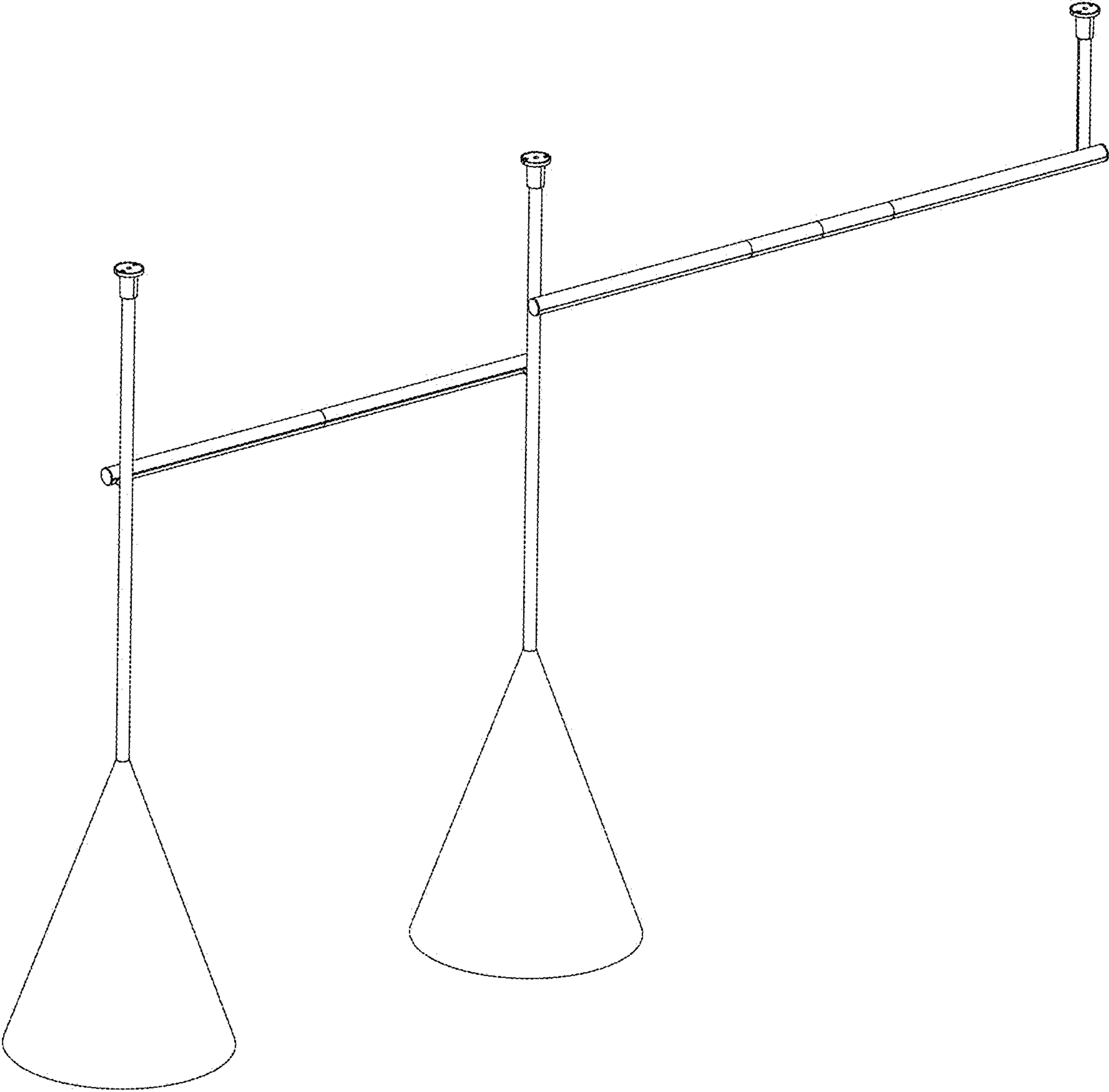
References Cited

U.S. PATENT DOCUMENTS

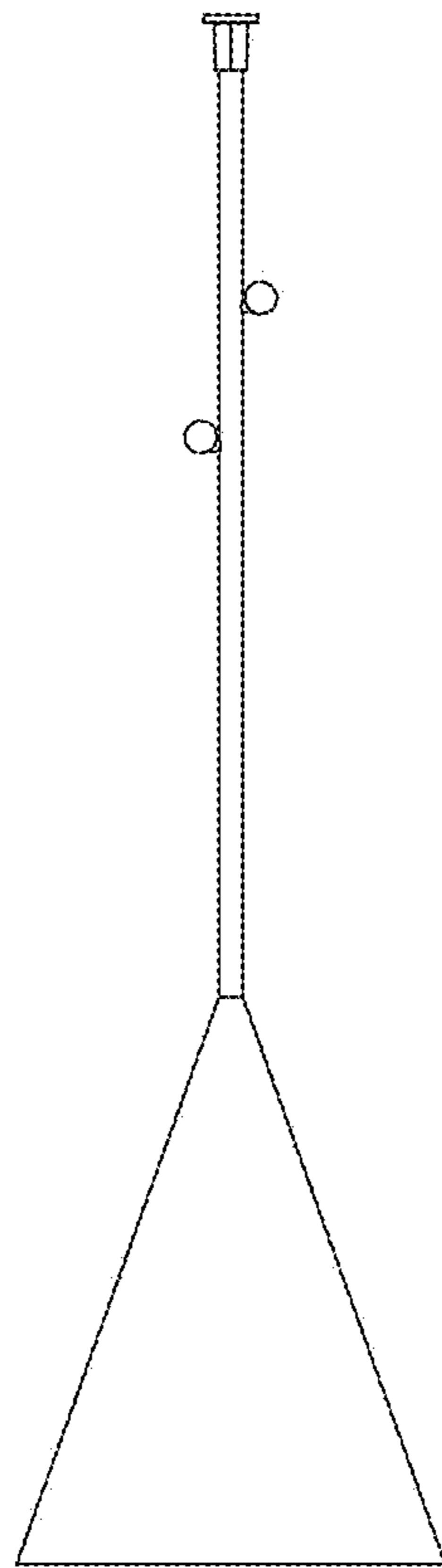
D806,304 S \* 12/2017 Amato ..... D26/81  
 9,920,922 B2 \* 3/2018 Liang ..... F21V 17/02  
 10,030,842 B1 \* 7/2018 Sonneman ..... F21S 8/06  
 D828,607 S \* 9/2018 Sonneman ..... D26/81  
 D828,945 S \* 9/2018 Crocker ..... D26/81  
 10,184,645 B2 \* 1/2019 Sonneman ..... F21S 8/065  
 D849,311 S \* 5/2019 Hendifar ..... D26/88  
 10,295,164 B2 \* 5/2019 Liang ..... F21V 21/40  
 D854,223 S \* 7/2019 Hecht ..... D26/88  
 D857,965 S \* 8/2019 Amato ..... F21V 17/02  
 D26/81  
 D862,767 S \* 10/2019 Pomputius ..... F21V 23/06  
 D26/81  
 D865,263 S \* 10/2019 Amato ..... F16M 11/04  
 D26/81  
 D888,317 S \* 6/2020 Amato ..... D26/87  
 D889,724 S \* 7/2020 Richardson ..... D26/81  
 D891,671 S \* 7/2020 Amato ..... F21S 8/065  
 D26/82  
 D903,934 S \* 12/2020 Moses ..... D26/138  
 D906,584 S \* 12/2020 Moses ..... D26/138  
 D914,268 S \* 3/2021 Anastassiades ..... D26/88  
 D917,760 S \* 4/2021 Lissoni ..... D26/72  
 D917,770 S \* 4/2021 Yuan ..... D26/90  
 10,966,796 B2 \* 4/2021 Bellows ..... F21V 21/088  
 D919,872 S \* 5/2021 Hendifar ..... D26/84  
 D920,559 S \* 5/2021 Hendifar ..... D26/84  
 D920,562 S \* 5/2021 Hendifar ..... D26/88  
 11,067,256 B2 \* 7/2021 Kinsley ..... F21V 23/06

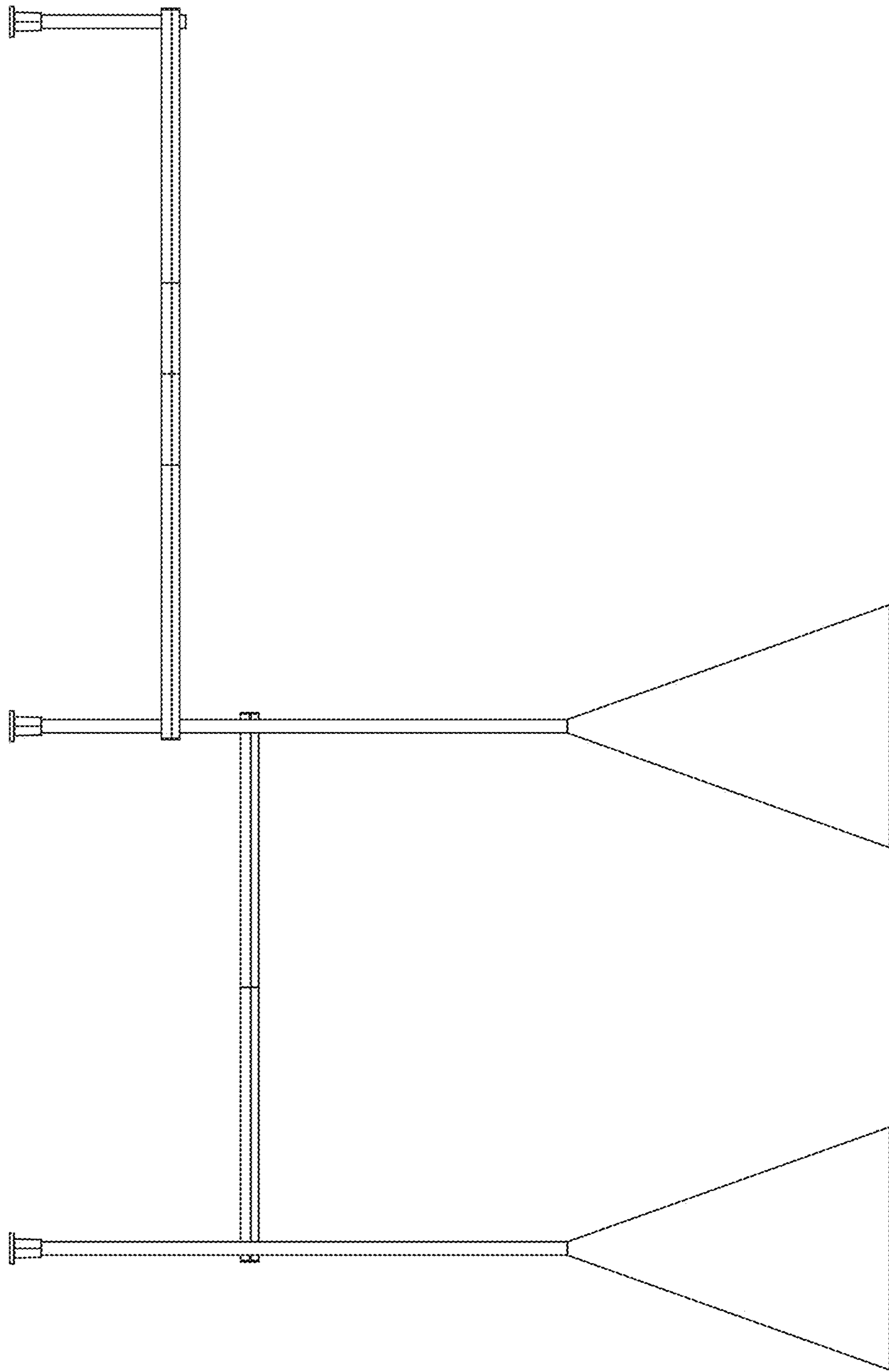
\* cited by examiner

1.1



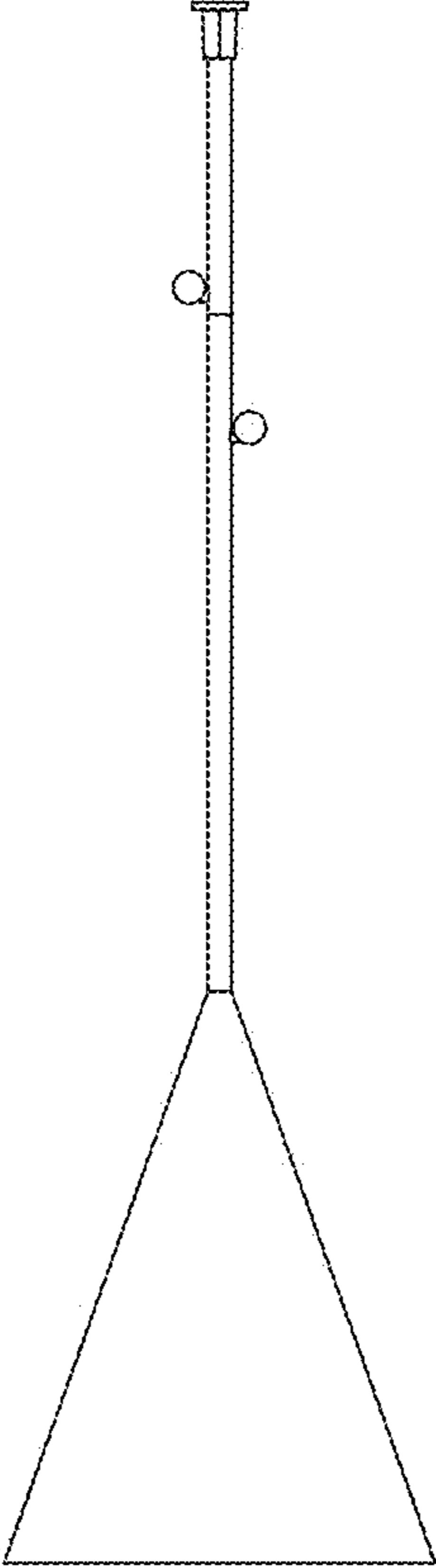
1.2

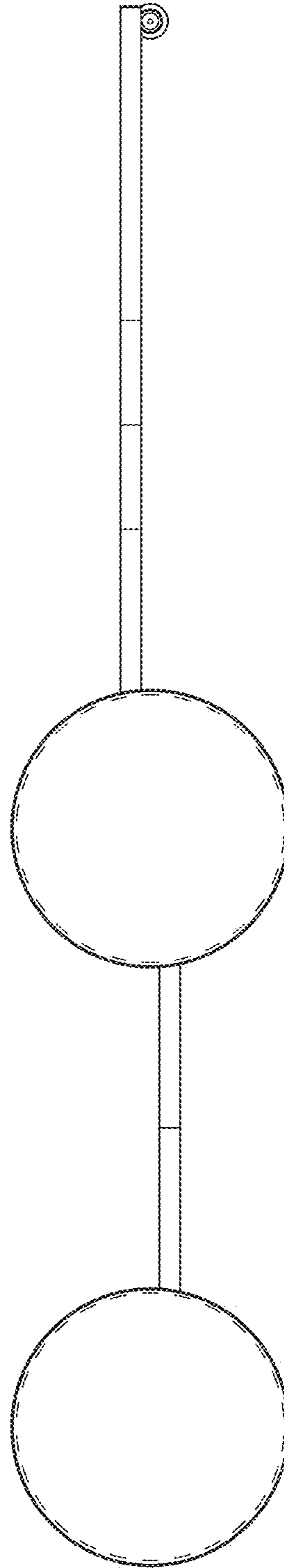


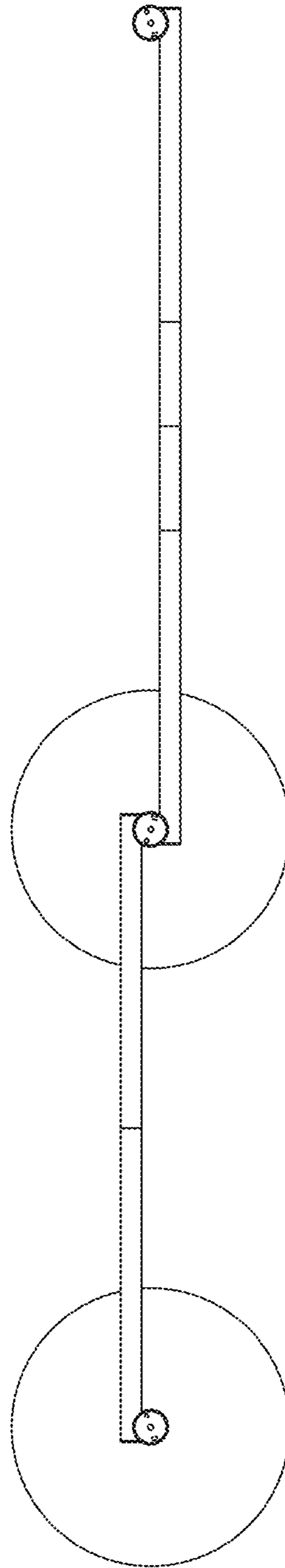


1.3

1.4







1.6



