



US00D952925S

(12) **United States Design Patent** (10) **Patent No.:** **US D952,925 S**
Li (45) **Date of Patent:** **** May 24, 2022**

(54) **SOLAR LIGHT**

(71) Applicant: **Shenzhen Bonar Technology Co., Ltd.**, Shenzhen (CN)

(72) Inventor: **Mengbo Li**, Xinning (CN)

(**) Term: **15 Years**

(21) Appl. No.: **29/746,988**

(22) Filed: **Aug. 19, 2020**

(51) **LOC (13) Cl.** **26-04**

(52) **U.S. Cl.**
USPC **D26/72; D26/88**

(58) **Field of Classification Search**

USPC D26/72, 74, 88, 89, 92, 118

CPC F21S 8/03; F21S 8/033; F21S 8/036; F21S 8/04; F21S 8/043; F21S 8/06; F21S 8/061; F21S 8/063; F21S 8/086; F21S 9/037; F21W 2131/107; F21W 2131/1005

See application file for complete search history.

(56) **References Cited**

U.S. PATENT DOCUMENTS

D335,550 S *	5/1993	Neustadt	D26/118
D400,280 S *	10/1998	Leen	D26/71
D575,895 S *	8/2008	Van De Poel	D26/88
D697,250 S *	1/2014	Haynes	D26/88
D698,480 S *	1/2014	Moeller	D26/89
D727,549 S *	4/2015	Wang	D26/85
D741,535 S *	10/2015	Wright	D26/89
D803,459 S *	11/2017	Wright	D26/88
D851,810 S *	6/2019	Workman	D26/88
D868,333 S *	11/2019	Li	D26/72
D869,738 S *	12/2019	Cheng	D26/113
D875,292 S *	2/2020	Zhou	D26/72
D905,894 S *	12/2020	Chen	D26/88
D936,266 S *	11/2021	Sung	D26/72
2011/0309751 A1 *	12/2011	Ter-Hovhannisyan	F21V 29/773
				315/113
2013/0250579 A1 *	9/2013	Athalye	F21S 8/026
				362/296.05

OTHER PUBLICATIONS

Nature Power, 4 Light Black Solar-Powered LED Hanging Shed Light. First available unknown. Searched Jan. 12, 2022. [https://www.homedepot.com/p/NATURE-POWER-4-Light-Black-Indoor-Outdoor-Solar-Powered-LED-Hanging-Shed-Light-with-Remote-Control-21030/203770455] (Year: 2022).*

Canarm, 1-Light Black LED Outdoor Barn Light Sconce. First available unknown. Searched Jan. 7, 2022. [https://www.homedepot.com/p/CANARM-1-Light-Black-LED-Outdoor-Barn-Light-Sconce-LBL167A10WACBK/312064993] (Year: 2022).*

Liu Songyun, Solar Lamp. First available Mar. 24, 2021. Searched Jan. 7, 2022. Questel serial No. of registration 306733125. (Year: 2021).*

(Continued)

Primary Examiner — Samantha Q Lawrence

Assistant Examiner — Melissa Adriane Santos

(57) **CLAIM**

The ornamental design for a solar light, as shown and described.

DESCRIPTION

FIG. 1 is a first perspective view of a solar light showing my new design;

FIG. 2 is a second perspective view thereof;

FIG. 3 is a front view thereof;

FIG. 4 is a back view thereof;

FIG. 5 is a left side view thereof;

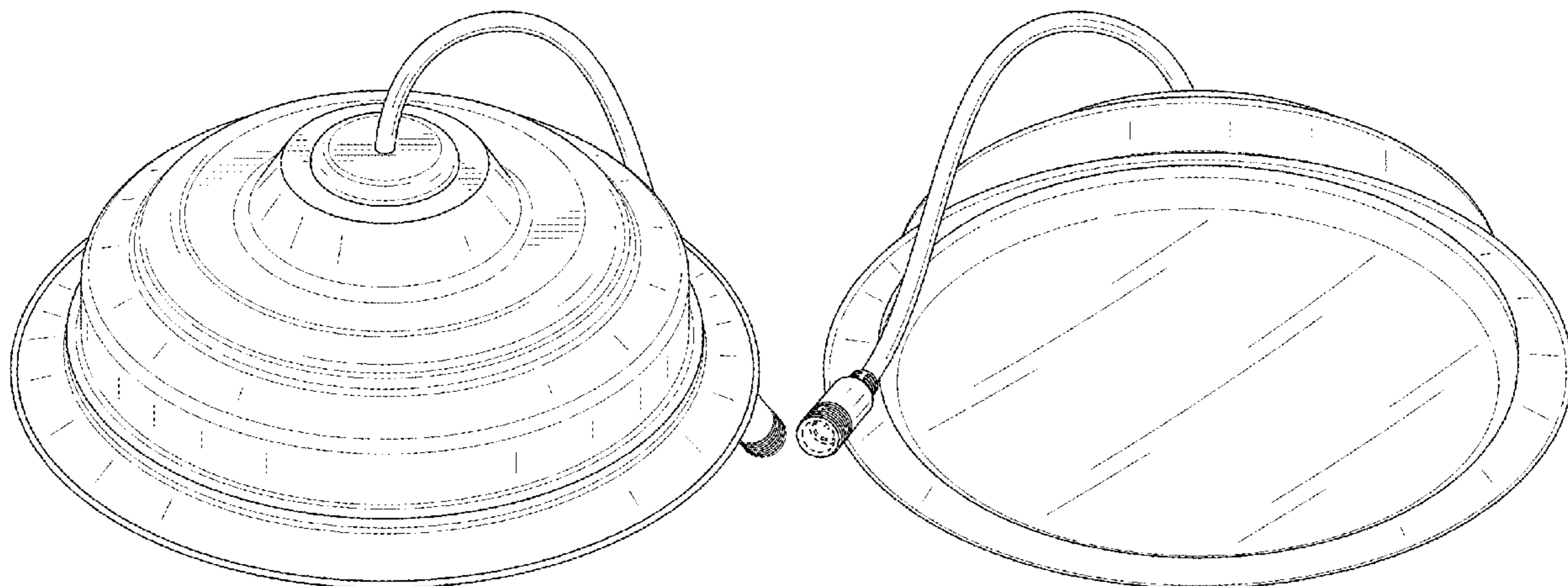
FIG. 6 is a right side view thereof;

FIG. 7 is a top view thereof; and,

FIG. 8 is a bottom view thereof.

The broken lines shown in FIGS. 2, 4, 5 and 8 illustrate portions of the solar light that form no part of the claimed design.

1 Claim, 8 Drawing Sheets



(56)

References Cited

OTHER PUBLICATIONS

Aiwewin, Solar Shed Pendant Light. First available Aug. 9, 2021. Searched Jan. 7, 2022. [https://www.amazon.com/Pendant-Chandelier-Outdoor-Waterproof-Landscape/dp/B09C61YMG6/ref=sr_1_9?keywords=Aiwewin&qid=1642036439&sr=8-9] (Year: 2021).*

Ding Zhifeng, Solar Lamp. First available Aug. 5, 2021. Searched Jan. 7, 2022. Questel serial No. of registration 306944989. (Year: 2021).*

SunBonar, Solar Light. First available Mar. 15, 2018. Searched Jan. 7, 2022. [https://www.amazon.com/Outdoor-Weatherproof-Powered-Security-Driveway/dp/B07BGYLHXQ?ref_=ast_sto_dp] (Year: 2018).*

Sunseatop, Solar Pendant Light. First available Nov. 25, 2021. Searched Jan. 7, 2022. [https://www.amazon.com/dp/B09L157JZ7/ref=cm_sw_em_r_mt_dp_CR4V5VYPY3JBVWVTZC3E] (Year: 2021).*

* cited by examiner

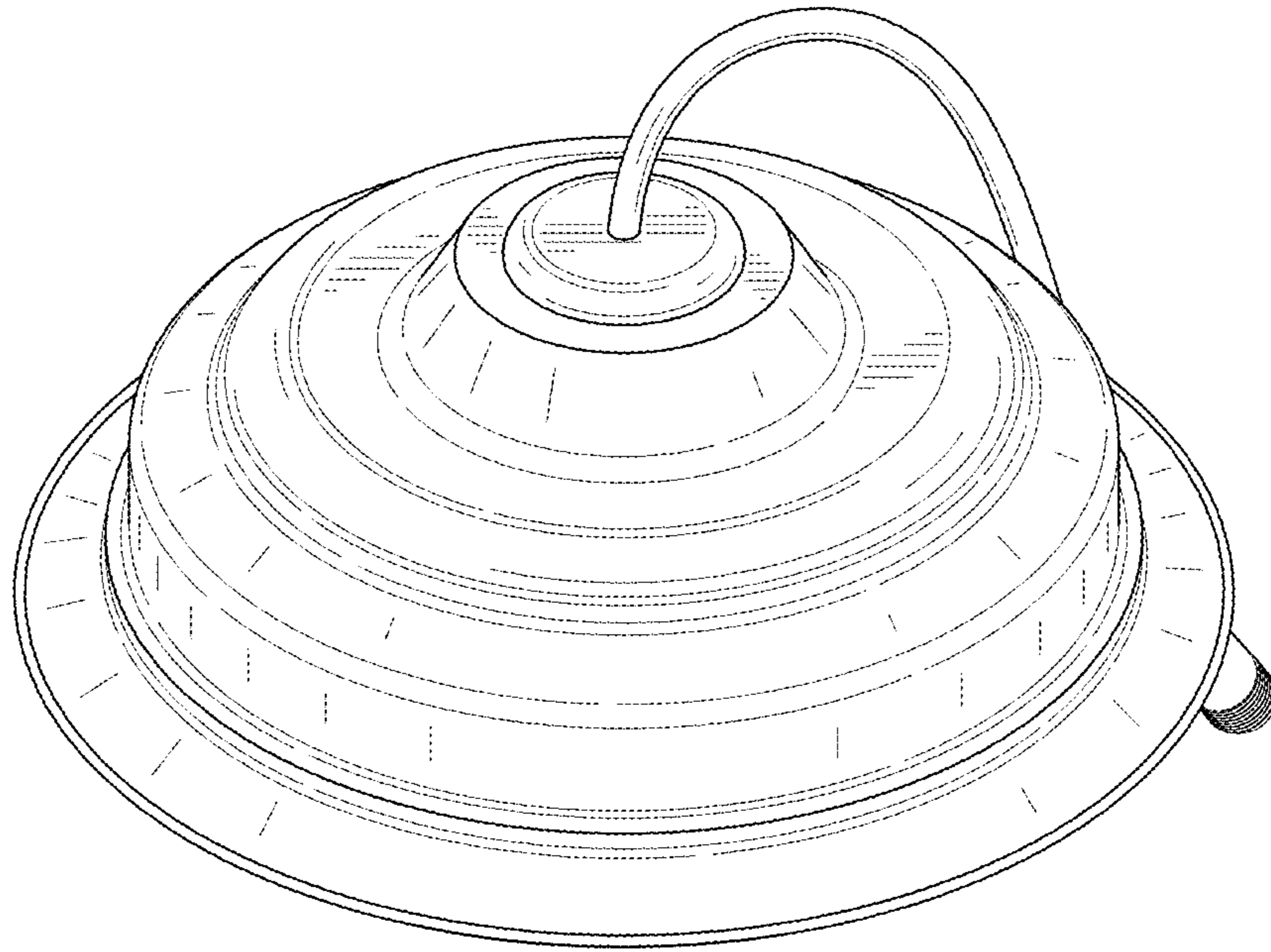


FIG. 1

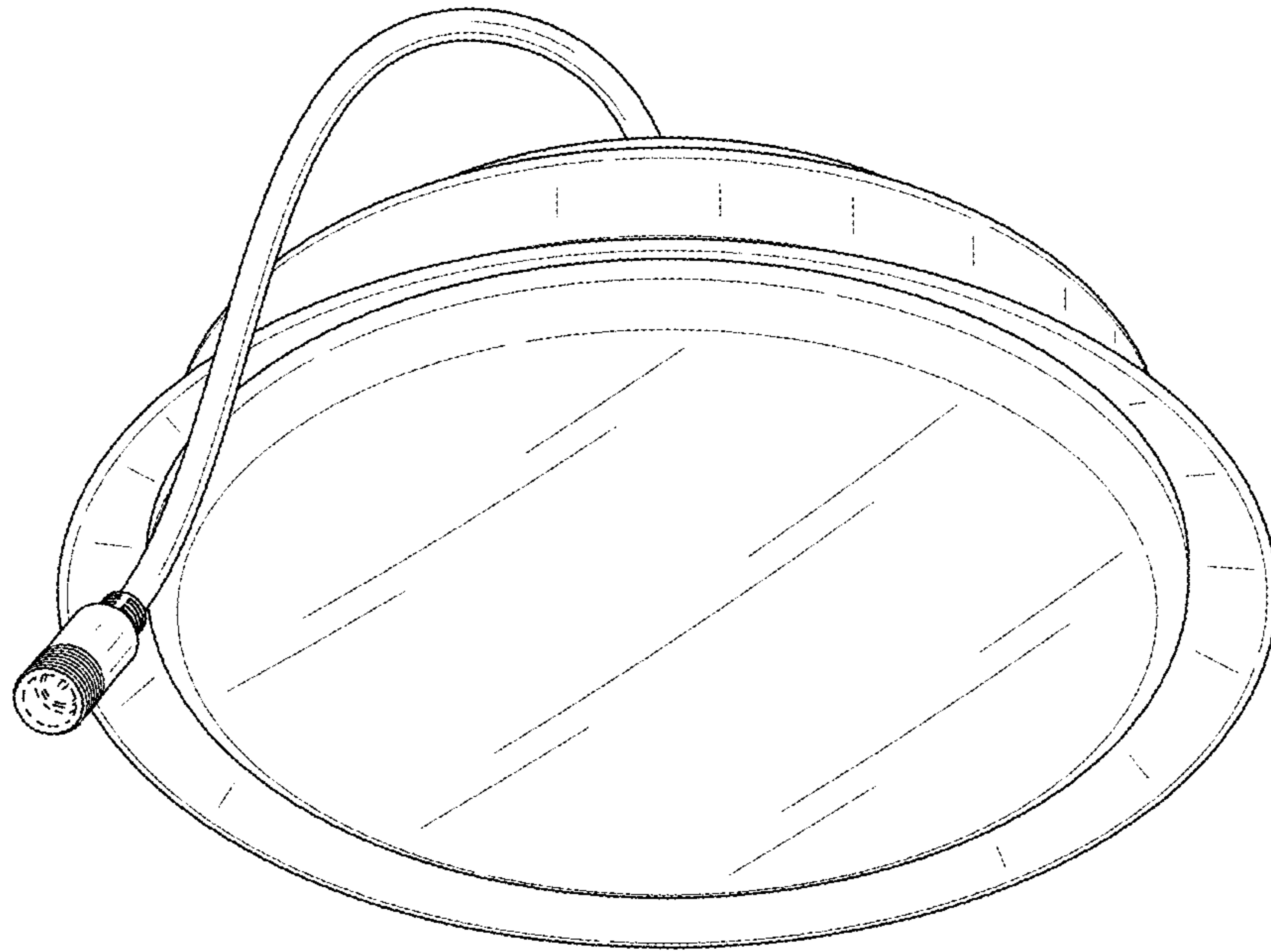


FIG. 2

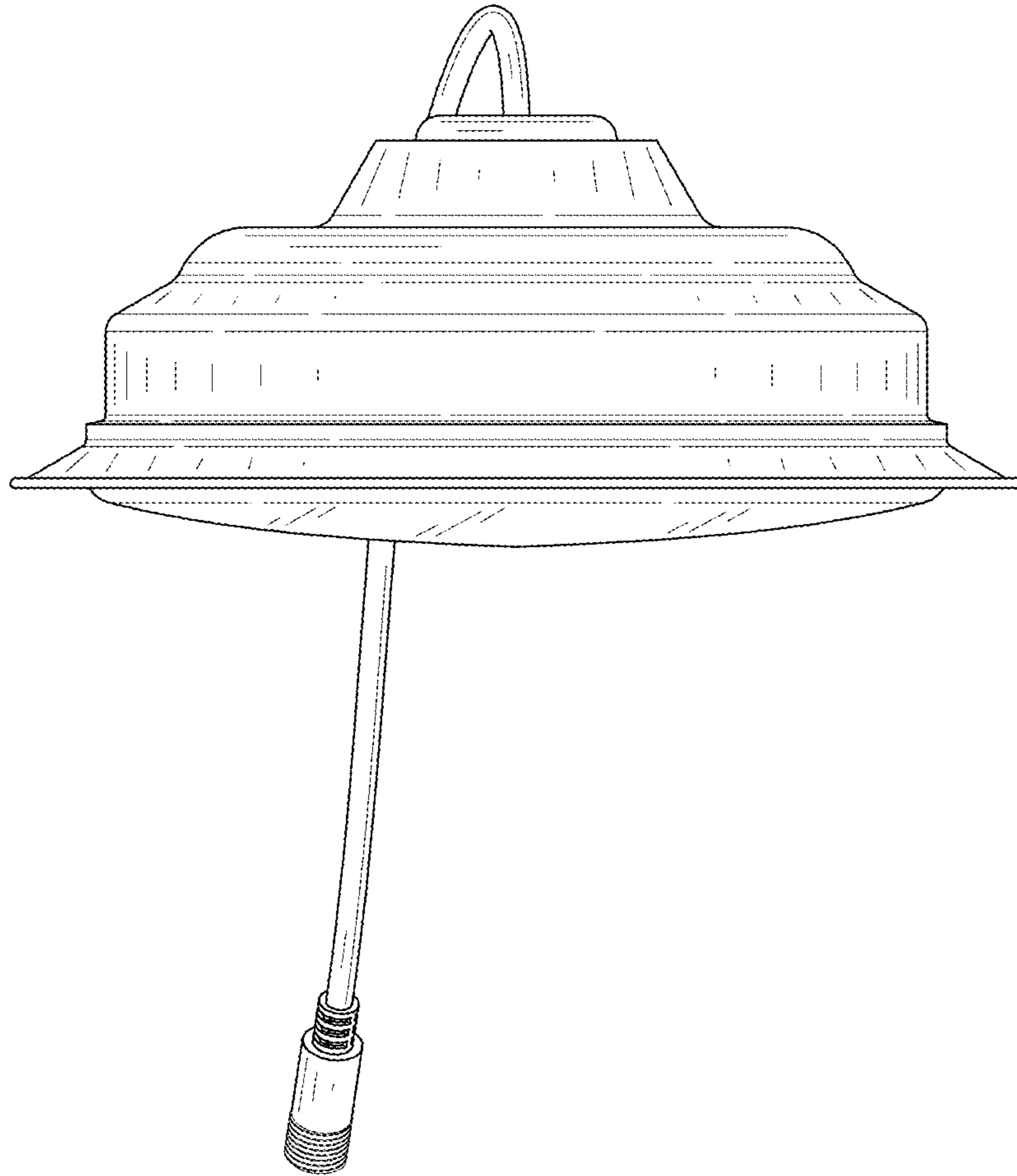


FIG. 3

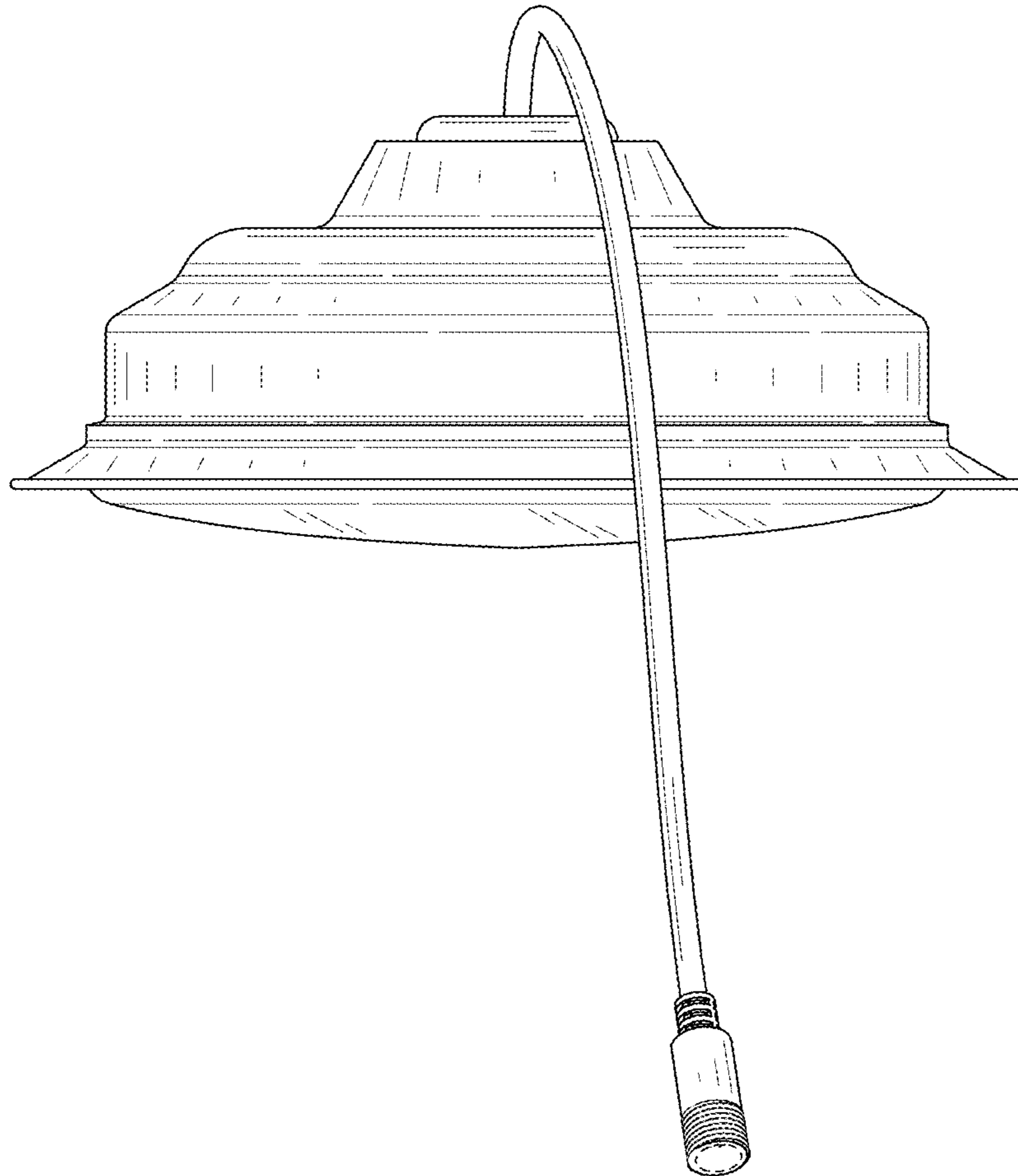


FIG. 4

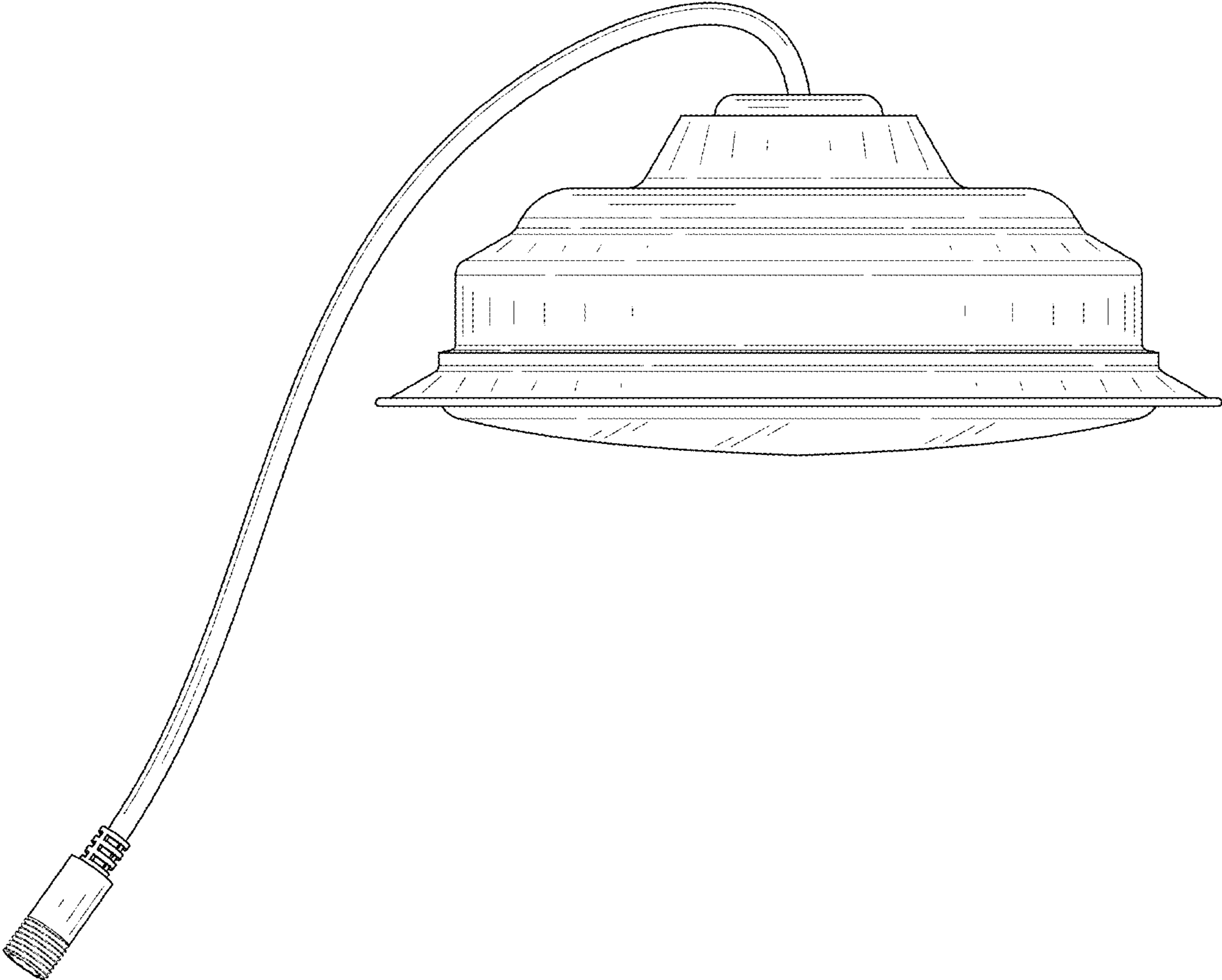


FIG. 5

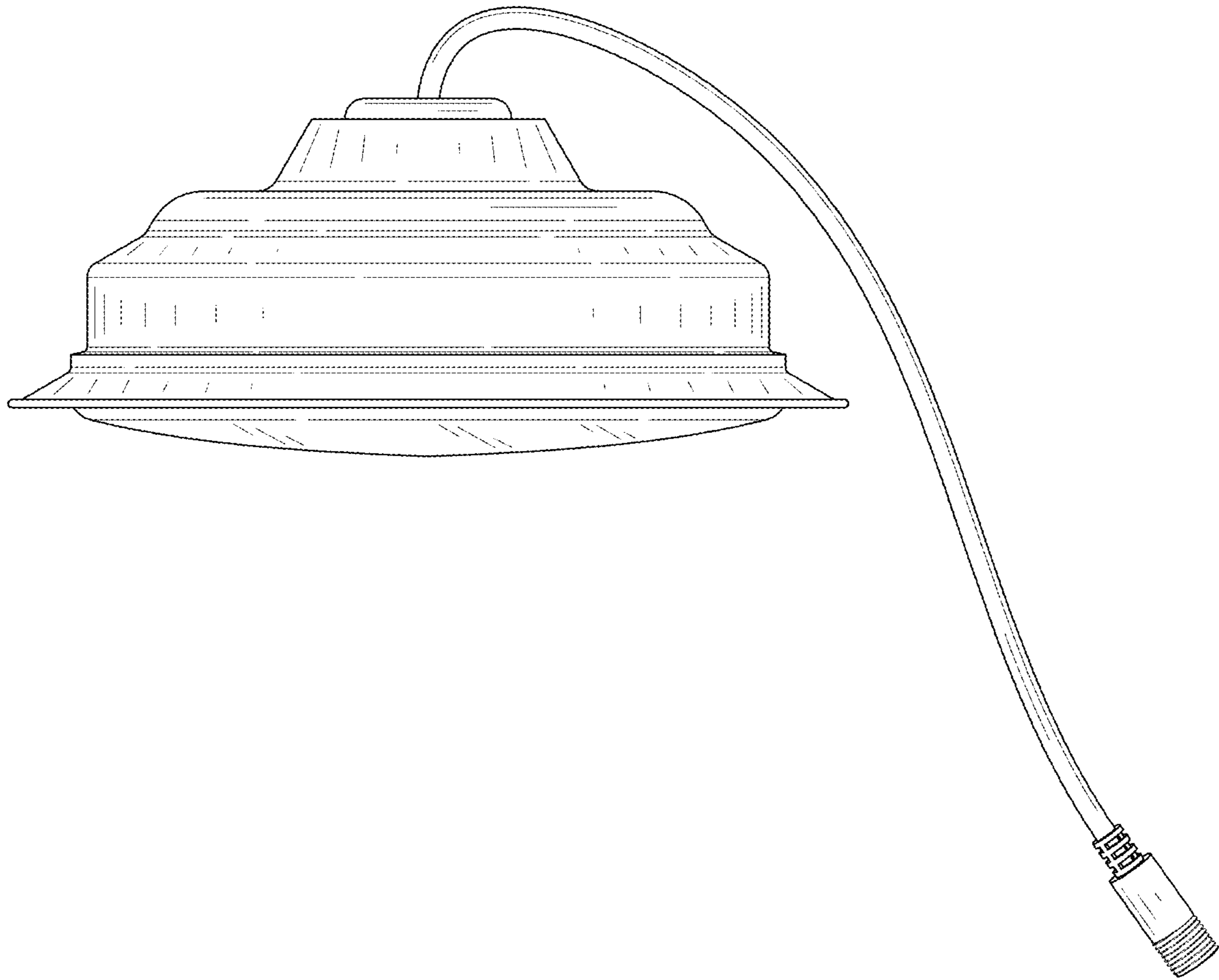


FIG. 6

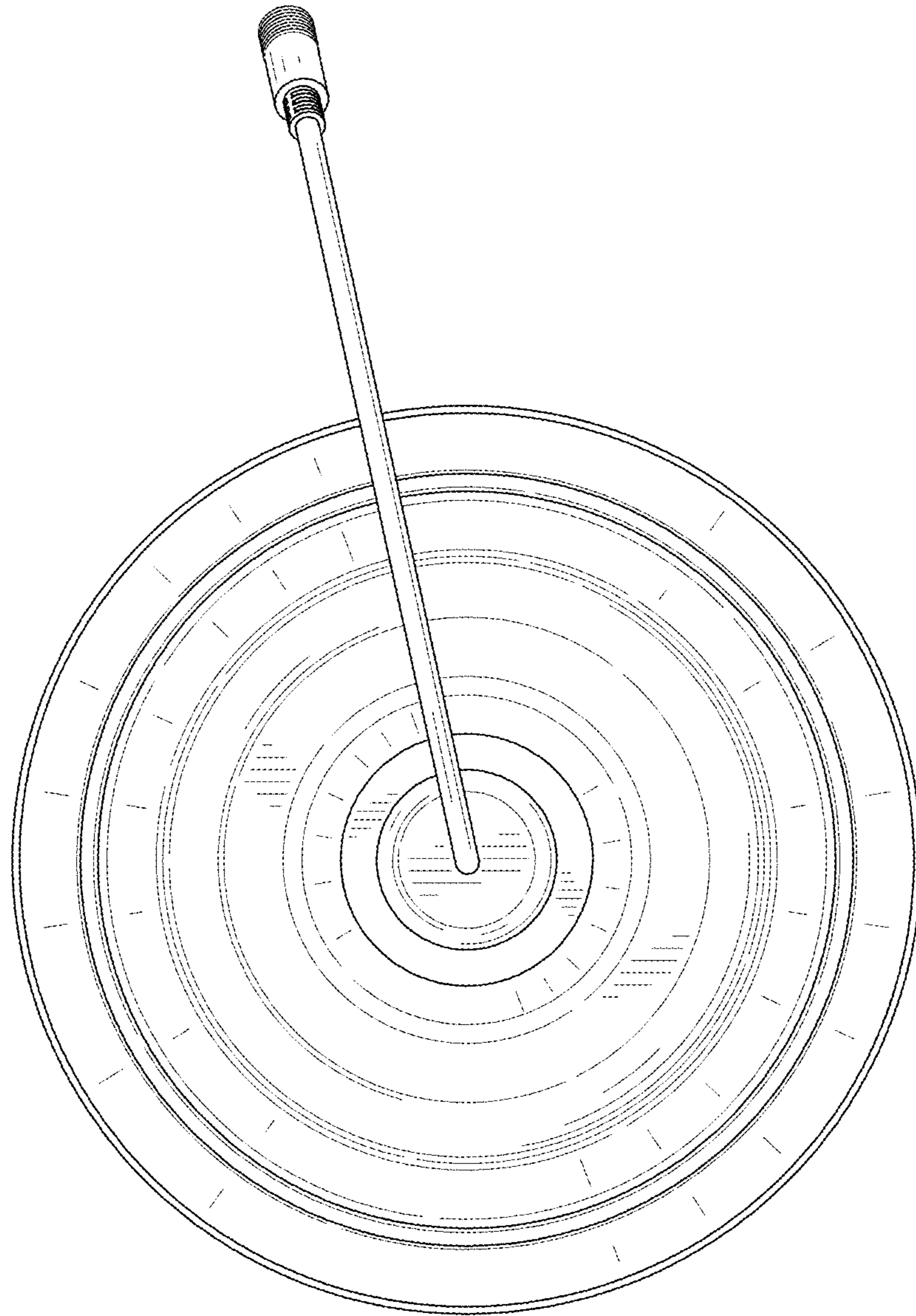


FIG. 7

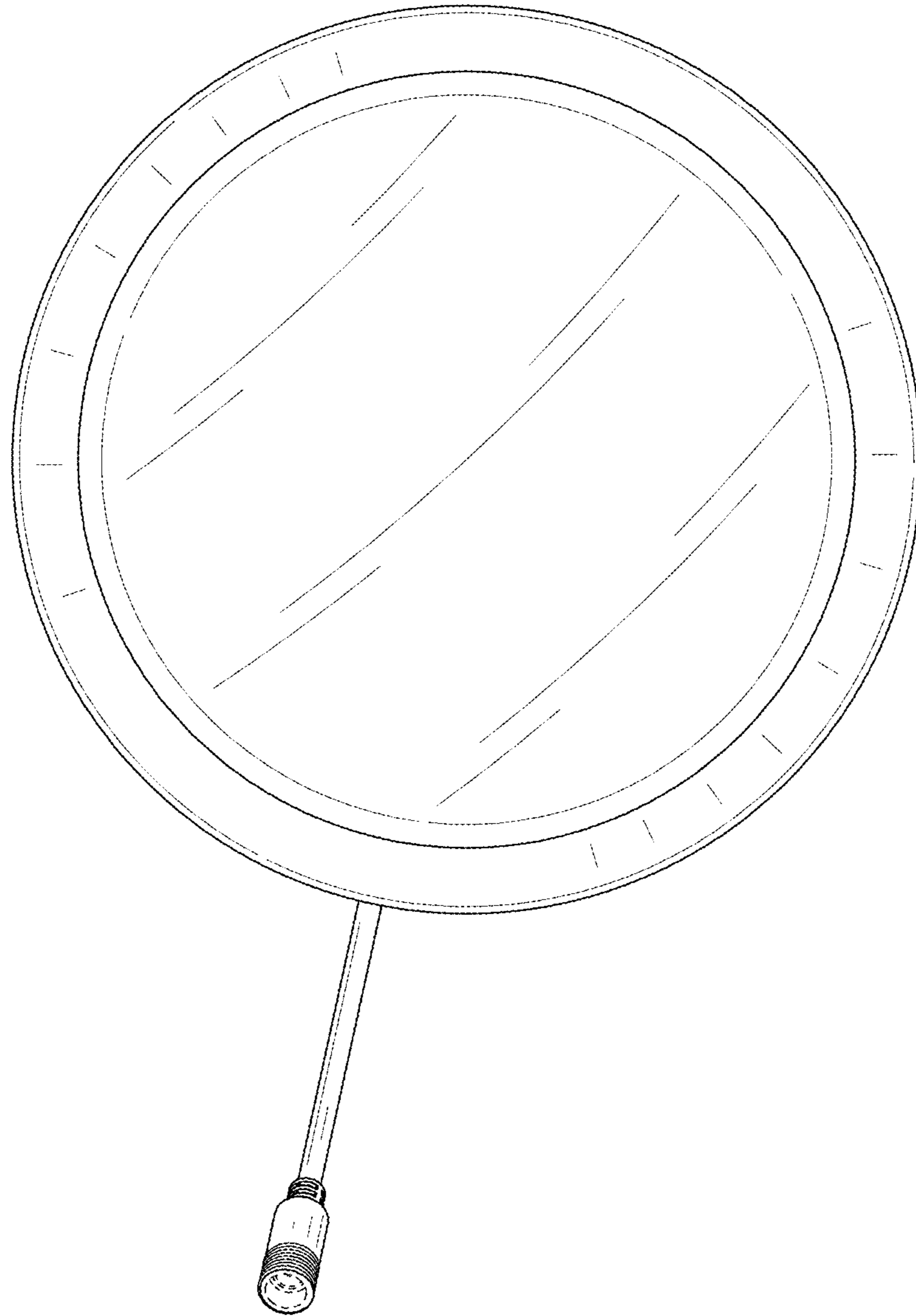


FIG. 8