

US00D952924S

(12) **United States Design Patent** (10) **Patent No.:** **US D952,924 S**
Deng (45) **Date of Patent:** **** May 24, 2022**

(54) **INTELLIGENT SOLAR LED LAMP**

(71) Applicant: **Hua Deng**, Nanning (CN)

(72) Inventor: **Hua Deng**, Nanning (CN)

(**) Term: **15 Years**

(21) Appl. No.: **29/689,012**

(22) Filed: **Apr. 26, 2019**

(51) **LOC (13) Cl.** **26-05**

(52) **U.S. Cl.**
USPC **D26/72; D26/92**

(58) **Field of Classification Search**
USPC D10/111-115; D26/24, 26, 34, 44, 51,
D26/58, 60, 61, 63, 67, 72, 75, 76, 78,
D26/80, 85, 87, 88, 89, 113, 118, 121,
D26/135, 92
CPC F21S 8/00; F21S 8/02; F21S 8/03; F21S
8/04; F21S 8/033; F21S 8/08; F21S 8/36;
F21S 8/037; F21S 8/043; F21S 9/022;
F21S 9/035; F21V 29/73; F21V 5/02
See application file for complete search history.

(56) **References Cited**

U.S. PATENT DOCUMENTS

D158,803 S *	5/1950	Russell	D26/76
2,578,190 A *	12/1951	Kurtzon	F21S 8/00 362/375
D189,256 S *	11/1960	Rothman	D26/76
D305,943 S *	2/1990	Ossip-Klein	D26/118
D308,260 S *	5/1990	Shemitz	D26/63
D316,306 S *	4/1991	Shemitz	D26/63
D390,992 S *	2/1998	Shemitz	D26/63

D465,593 S *	11/2002	Chang	D26/72
D493,486 S *	7/2004	Allen	D19/113
D580,586 S *	11/2008	Zhou	D26/71
D626,270 S *	10/2010	Waldmann	D26/85
D695,435 S *	12/2013	Pedersen	D26/63
D702,387 S *	4/2014	Pedersen	D26/63
D785,219 S *	4/2017	Swai	D26/63
D785,220 S *	4/2017	Swai	D26/63
D825,807 S *	8/2018	Xiao	D26/63
D832,483 S *	10/2018	Xiao	D26/63
D834,736 S *	11/2018	Liu	26/85
D836,817 S *	12/2018	Fang	D26/85

* cited by examiner

Primary Examiner — Richard Kearney

(74) *Attorney, Agent, or Firm* — Justin Lampel

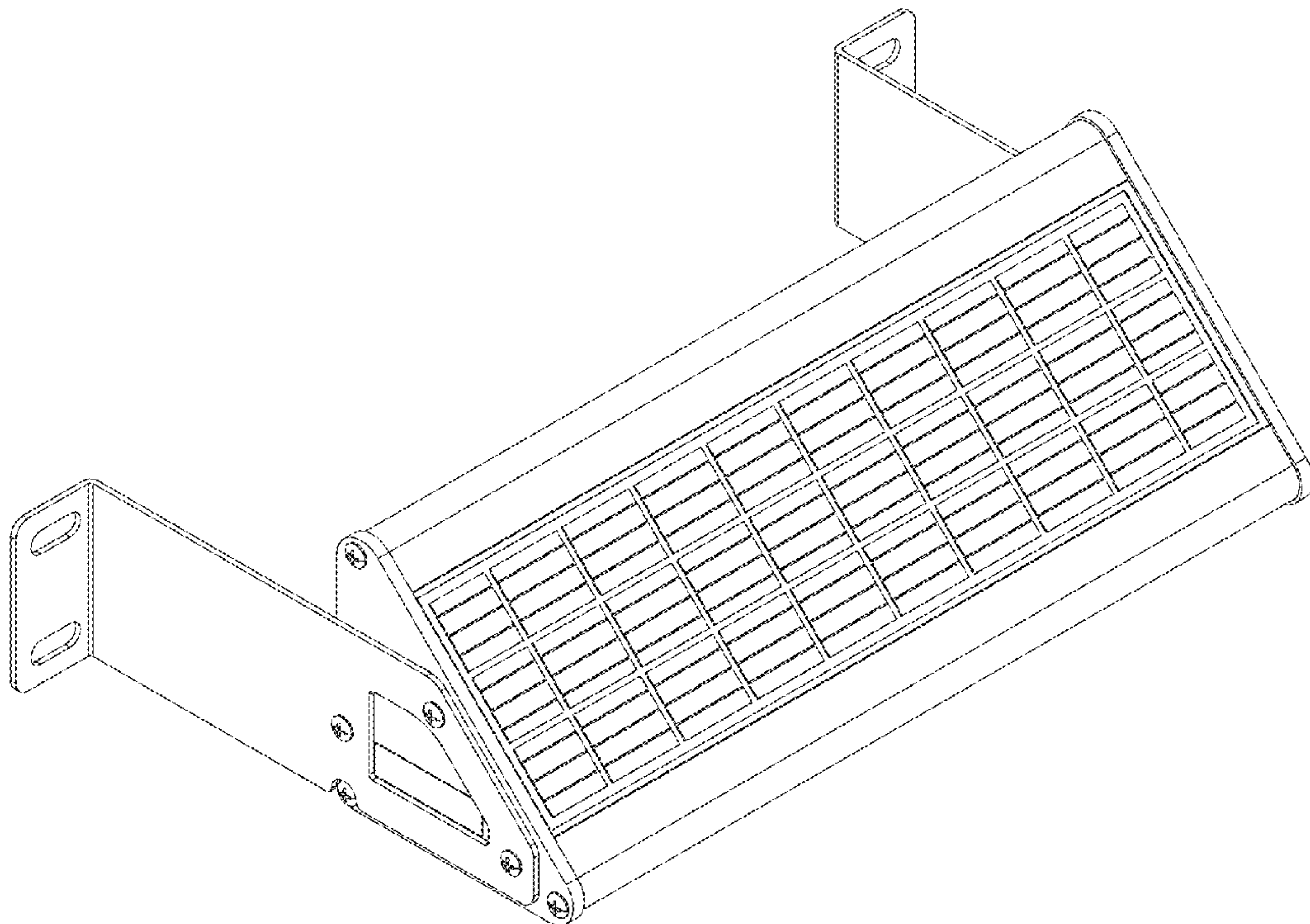
(57) **CLAIM**

The ornamental design for an intelligent solar LED lamp, as shown and described.

DESCRIPTION

FIG. 1 is a top plan view of an intelligent solar LED lamp showing my new design;
FIG. 2 is a front elevational view thereof;
FIG. 3 is a left side view thereof;
FIG. 4 is a right side view thereof;
FIG. 5 is a rear elevational view thereof;
FIG. 6 is a bottom plan view thereof; and,
FIG. 7 is a perspective view thereof.
The broken lines illustrating a circular feature on the side surface of the intelligent solar LED lamp, seen in FIG. 4, form no part of the claimed design.

1 Claim, 7 Drawing Sheets



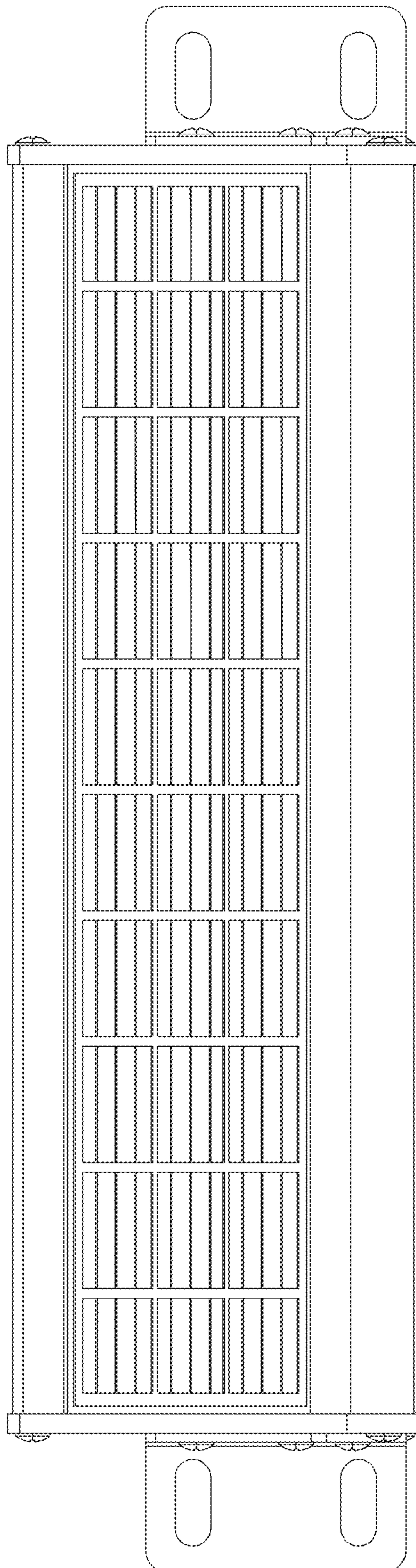


FIG. 1

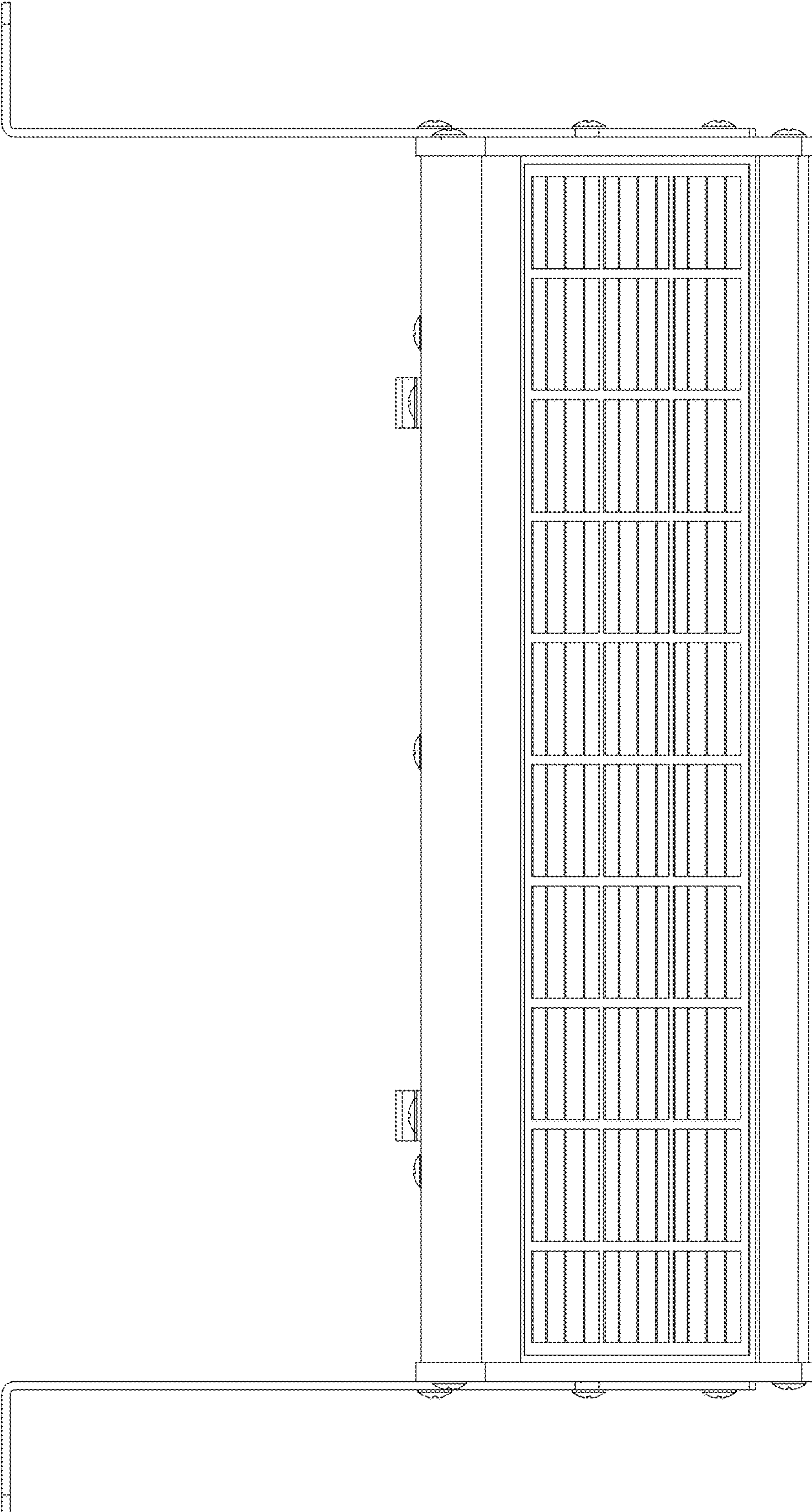


FIG.2

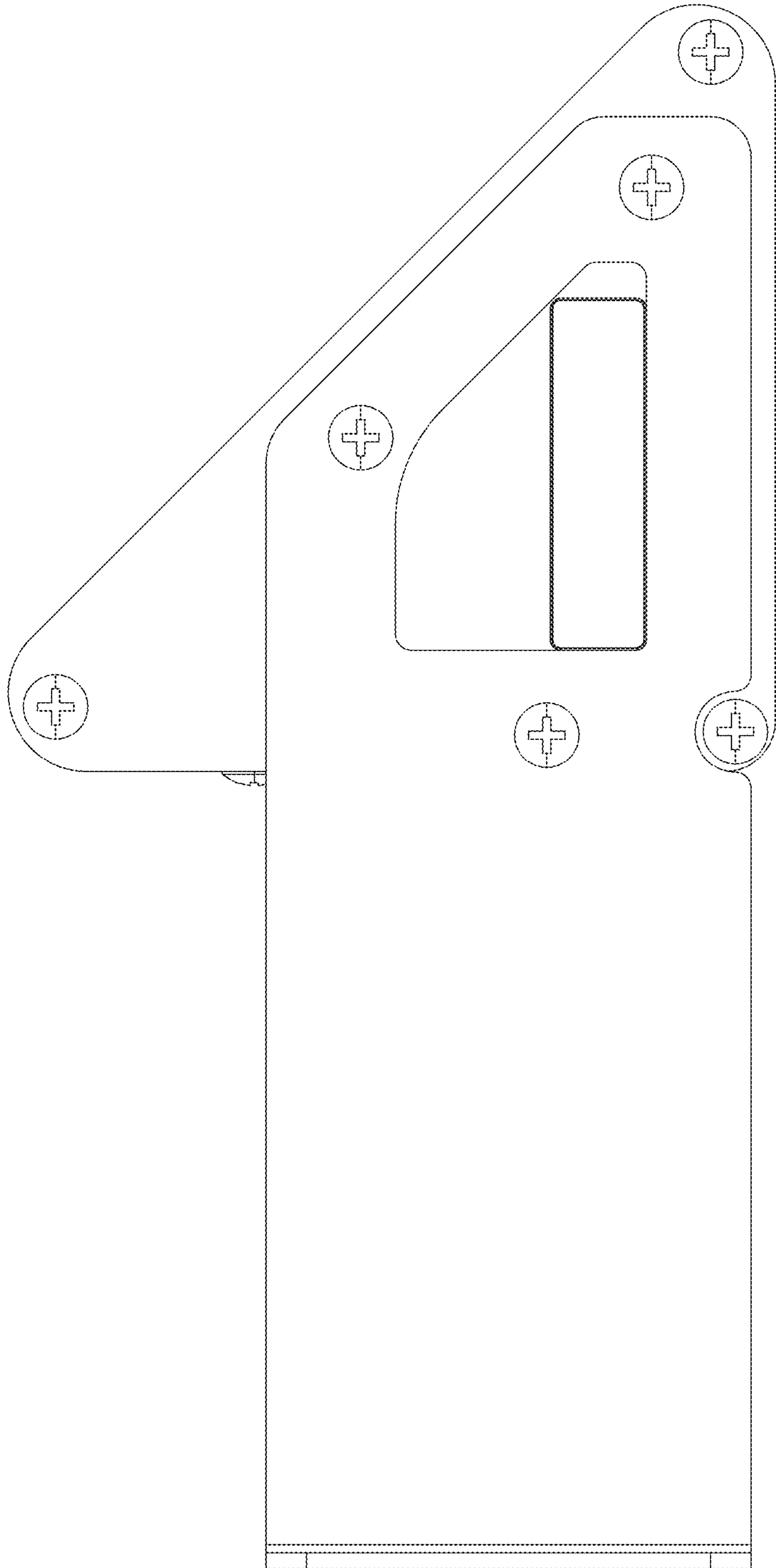


FIG. 3

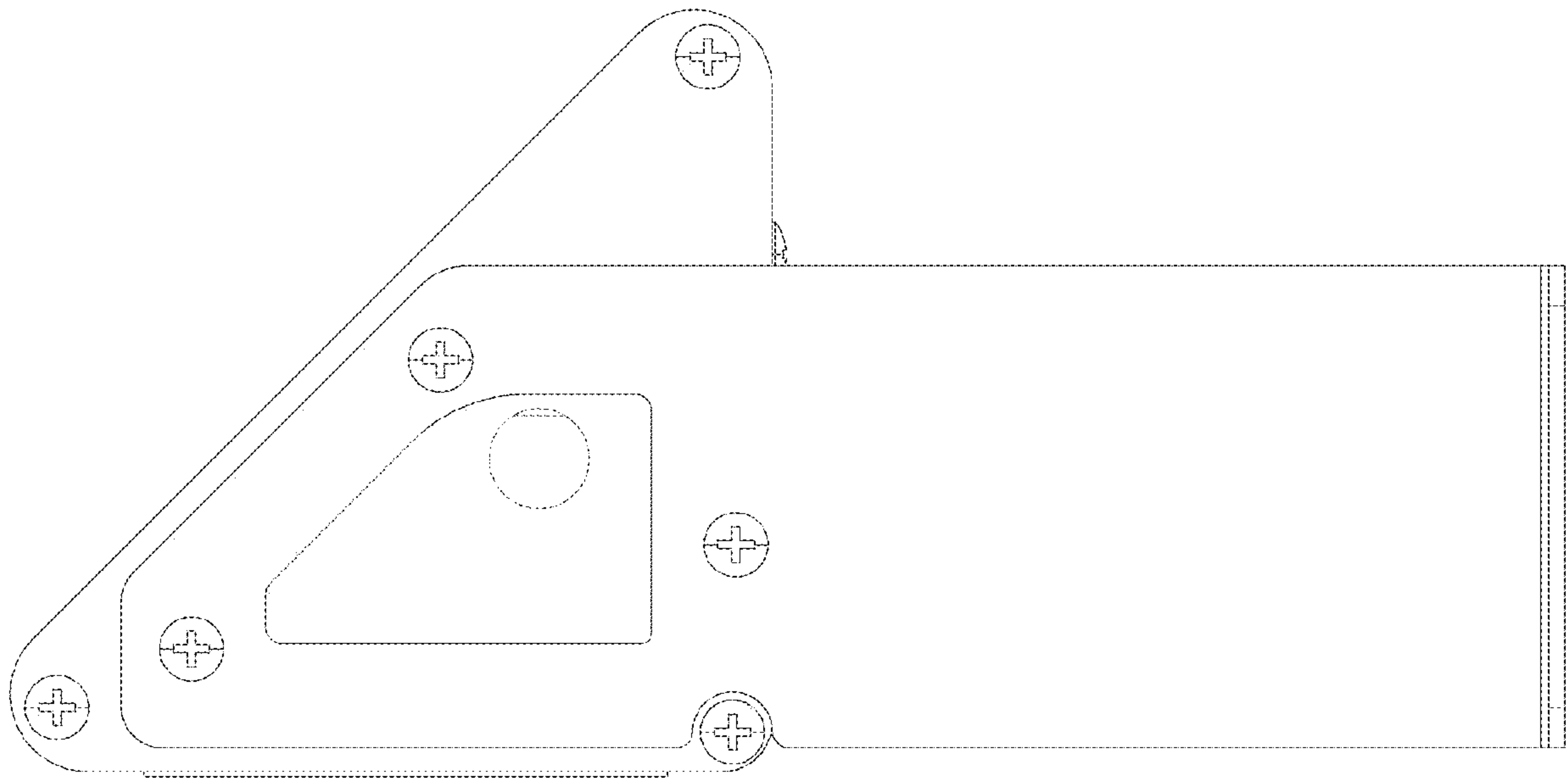


FIG.4

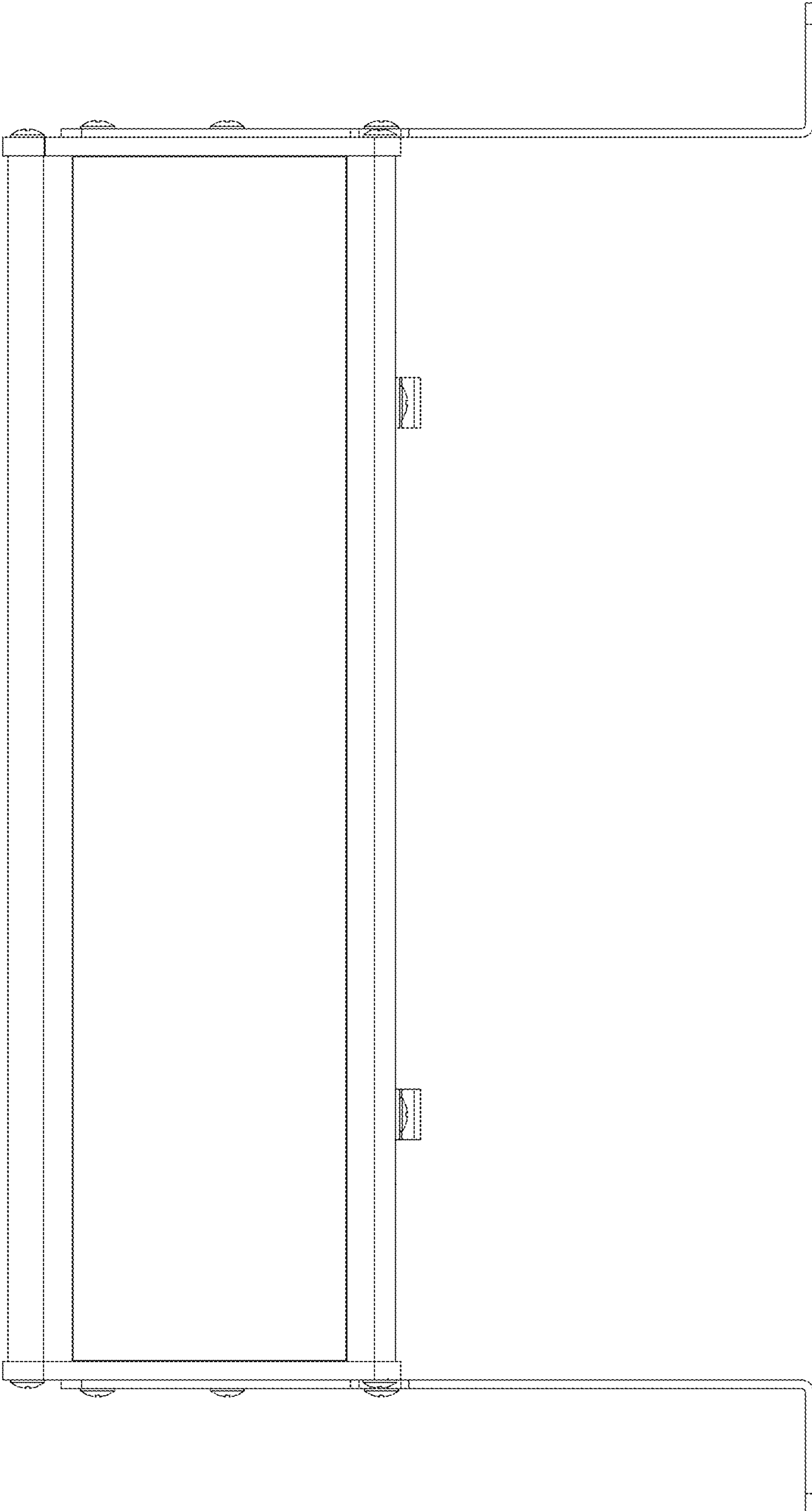


FIG. 5

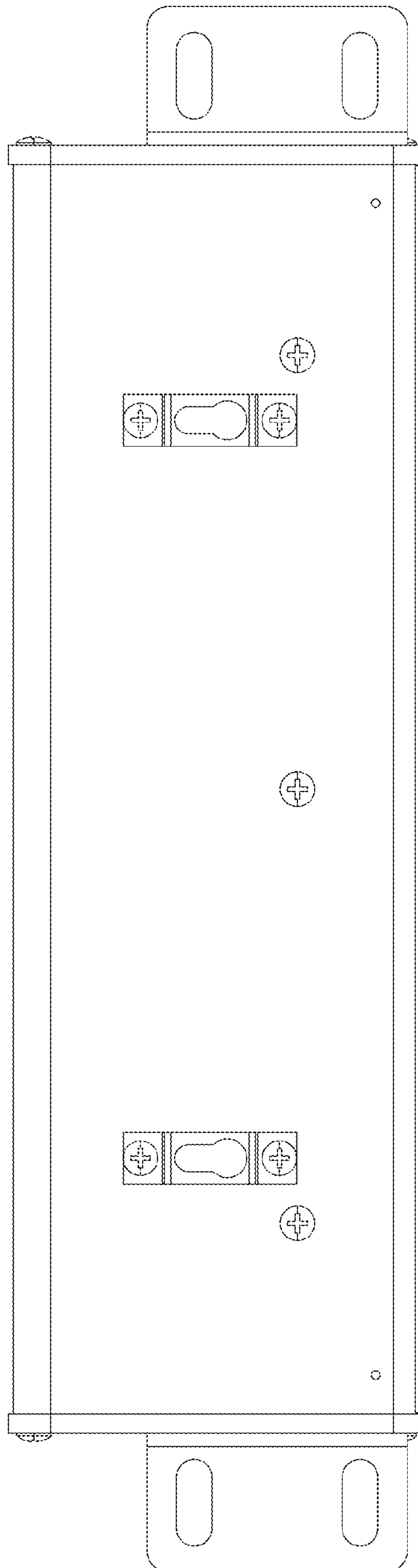


FIG. 6

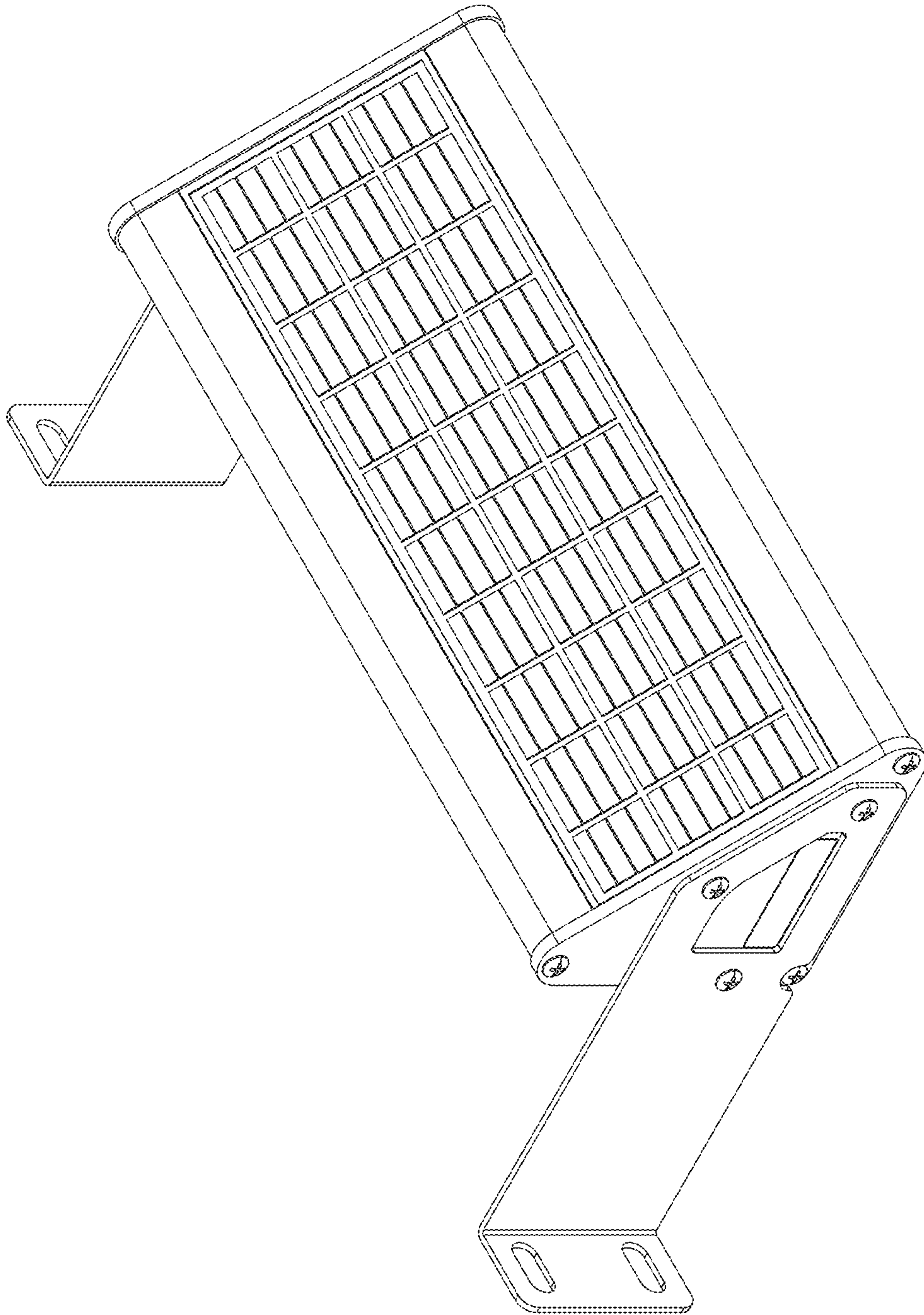


FIG. 7