



US00D952923S

(12) **United States Design Patent** (10) **Patent No.:** **US D952,923 S**
Xu (45) **Date of Patent:** **** May 24, 2022**

(54) **WATERPROOF LIGHT**
(71) Applicant: **Guanghua Xu**, Jingzhou (CN)
(72) Inventor: **Guanghua Xu**, Jingzhou (CN)
(**) Term: **15 Years**
(21) Appl. No.: **29/776,365**
(22) Filed: **Mar. 30, 2021**
(51) **LOC (13) Cl.** **26-05**
(52) **U.S. Cl.**
USPC **D26/60**
(58) **Field of Classification Search**
USPC D26/1, 24, 26, 60, 93, 104, 106, 110,
D26/118, 123, 124, 137; D14/172, 188,
D14/506, 507, 509
CPC F21S 6/00; F21S 6/002; F21S 6/003; F21S
6/006; F21S 8/00; F21S 8/02; F21S 8/03;
F21S 8/04; F21S 9/02; F21S 9/03; F21S
9/022; F21V 21/08; F21V 21/092; F21V
21/095; F21W 2131/30; F21W 2131/302
See application file for complete search history.

(56) **References Cited**
U.S. PATENT DOCUMENTS
D561,925 S * 2/2008 Levine D26/72
D621,081 S * 8/2010 Abernethy D26/60
D720,090 S * 12/2014 Toomey D26/24
D777,367 S * 1/2017 Ma D26/104
D798,490 S * 9/2017 Haines D26/104
D840,582 S * 2/2019 Liu D26/104
D895,175 S * 9/2020 Li D26/24
D898,958 S * 10/2020 Xiao D26/24
D899,107 S 10/2020 Luo et al.

D900,377 S * 10/2020 Chen D26/106
D905,889 S * 12/2020 Chen D26/72
D911,421 S 2/2021 Xu
D911,560 S 2/2021 Hu
D915,639 S * 4/2021 Zhao D26/1
D917,092 S * 4/2021 Zhang D26/110
D920,543 S * 5/2021 Wei D26/24
D920,566 S * 5/2021 Wei D26/110
D922,665 S * 6/2021 Feng D26/110
D927,763 S * 8/2021 Lee D26/93
D935,646 S * 11/2021 Huang D26/24
2011/0063825 A1* 3/2011 Cheng F21L 4/00
362/190

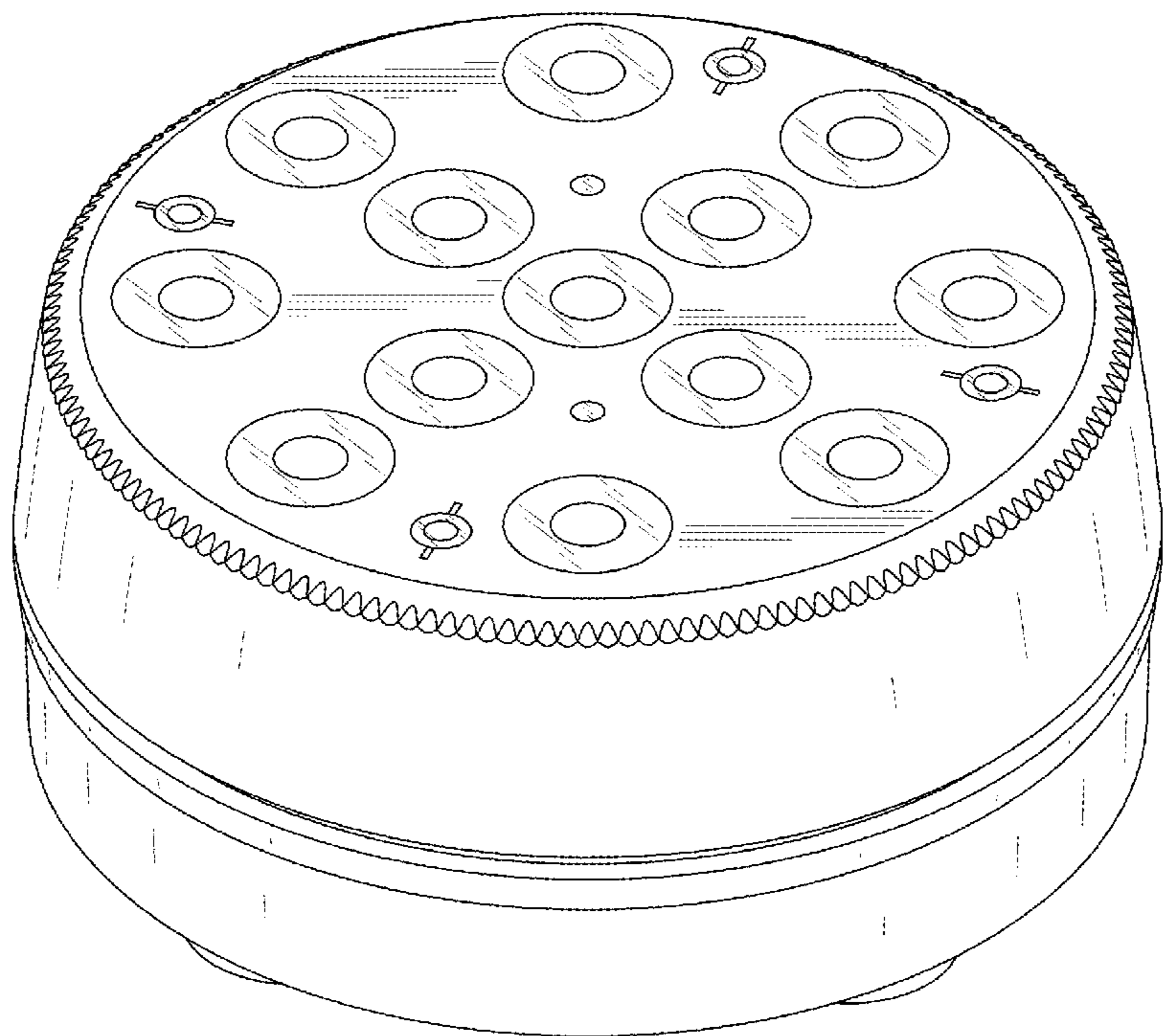
* cited by examiner

Primary Examiner — Wan Laymon
Assistant Examiner — Clint A Samuel

(57) **CLAIM**
The ornamental design for a waterproof light, as shown and described.

DESCRIPTION
FIG. 1 is a first perspective view of a waterproof light showing my new design;
FIG. 2 is a second perspective view thereof;
FIG. 3 is a front view thereof;
FIG. 4 is a back view thereof;
FIG. 5 is a left side view thereof;
FIG. 6 is a right side view thereof;
FIG. 7 is atop view thereof; and,
FIG. 8 is a bottom view thereof.
The broken lines shown in the drawings depict portions of the waterproof light in which the design is embodied that form no part of the claimed design.

1 Claim, 8 Drawing Sheets



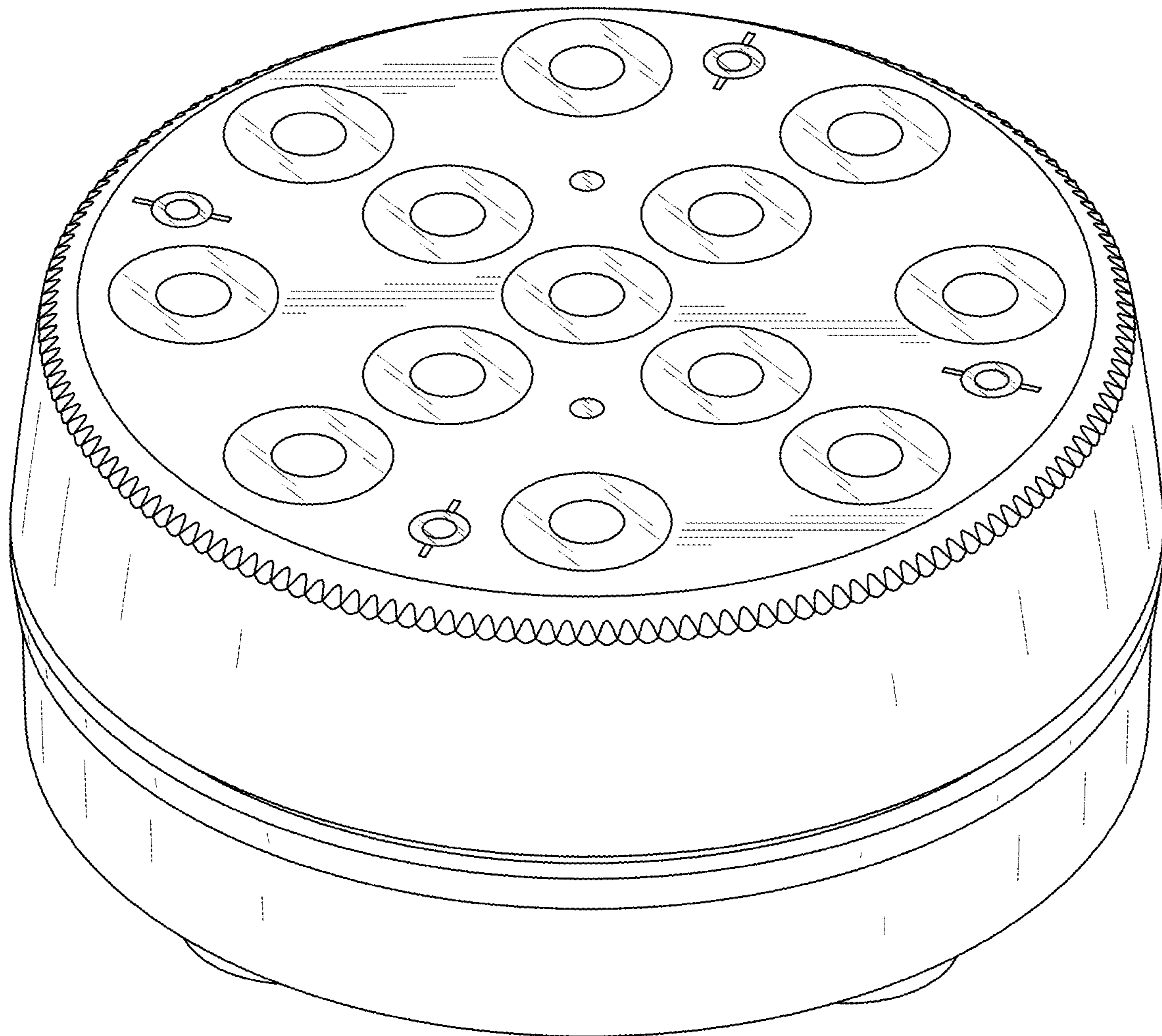


FIG. 1

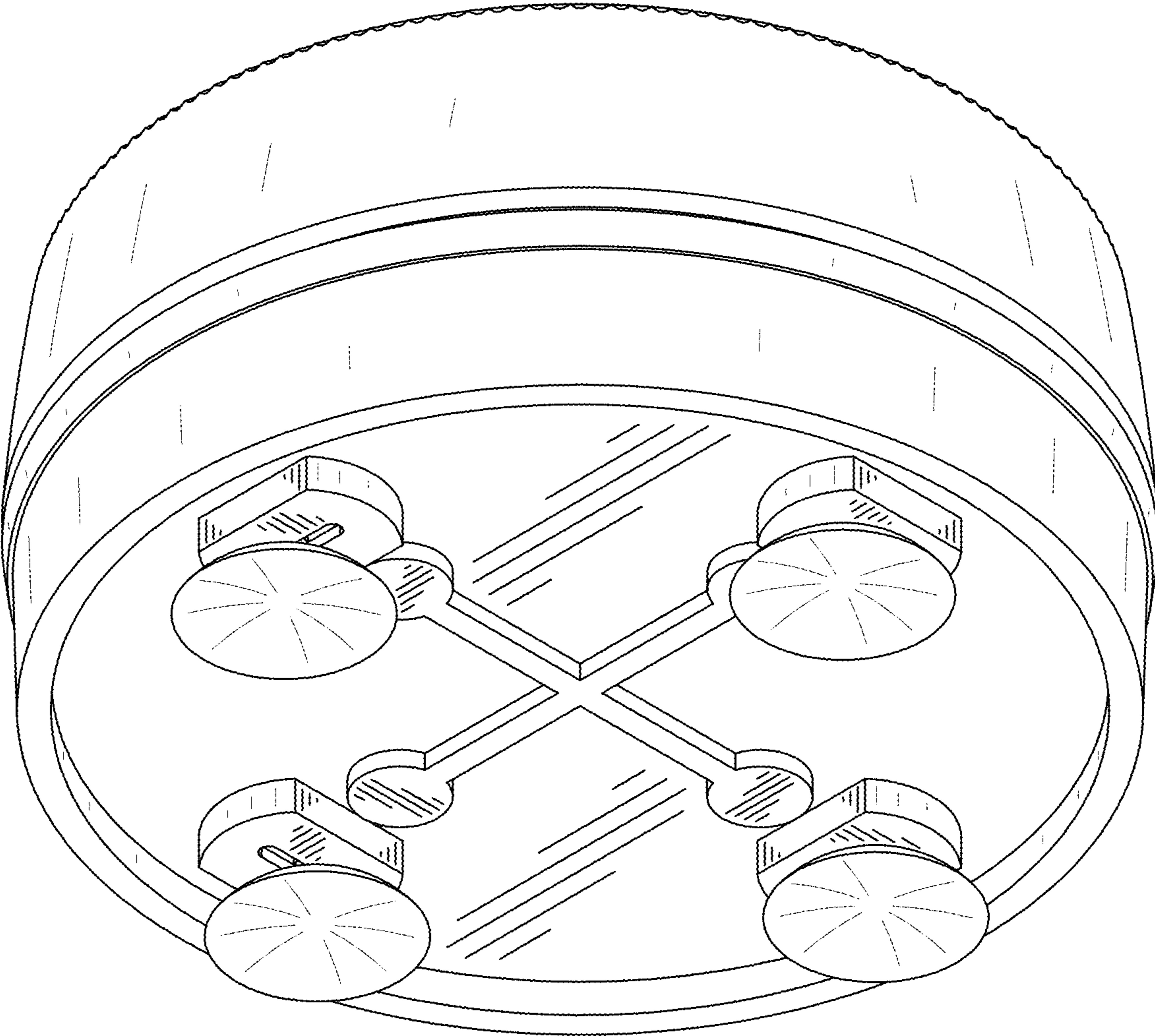


FIG. 2

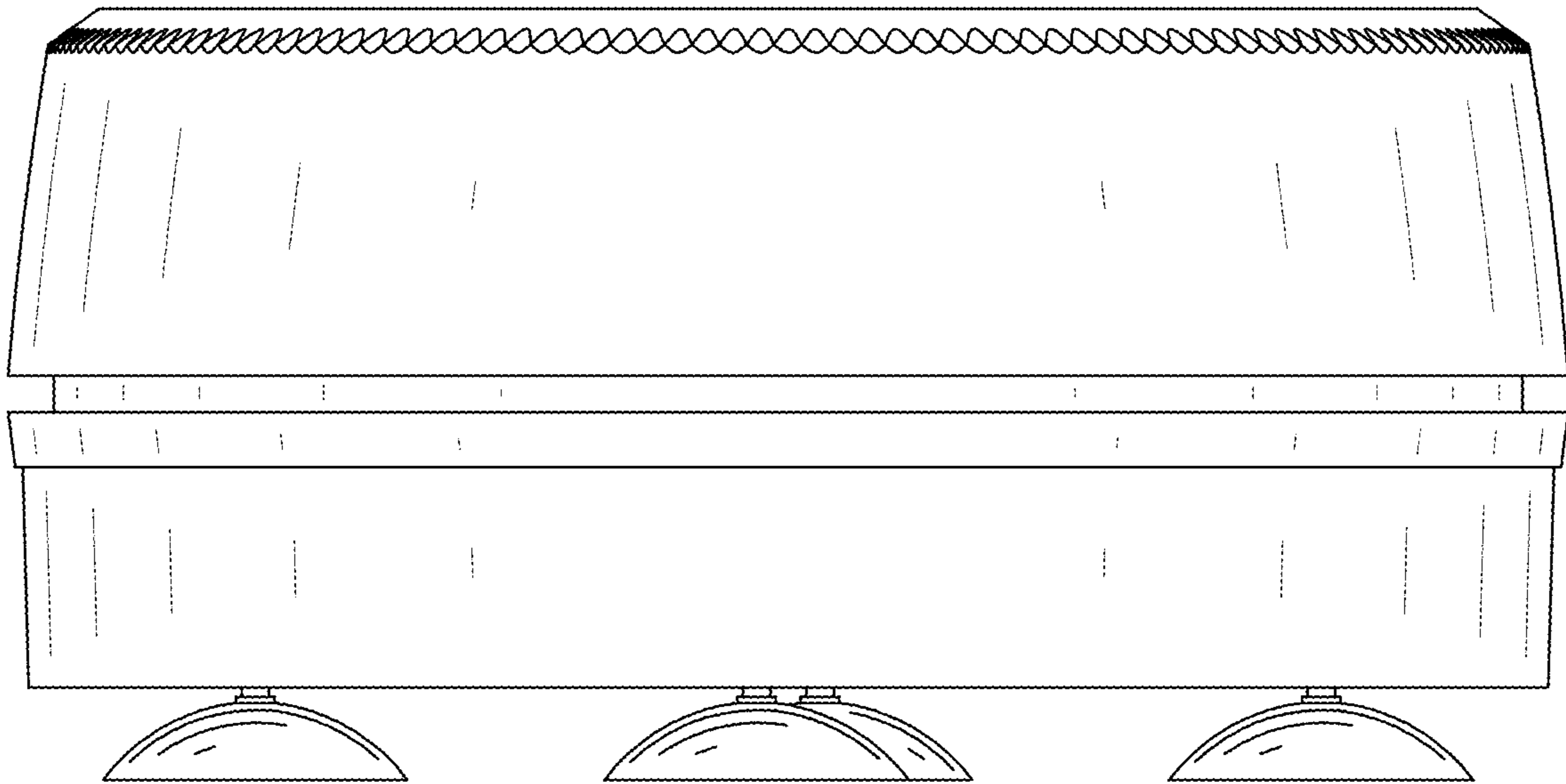


FIG. 3

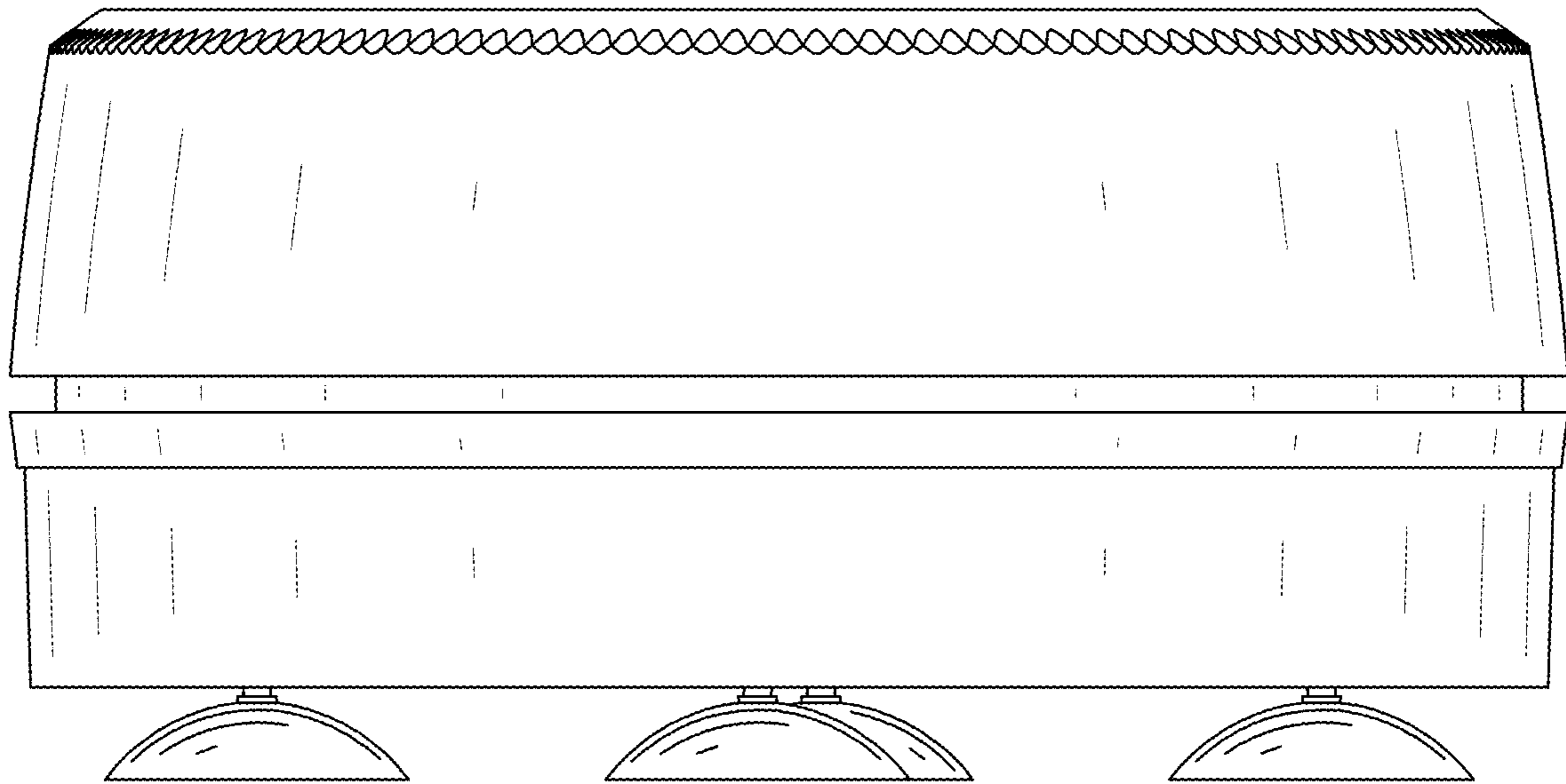


FIG. 4

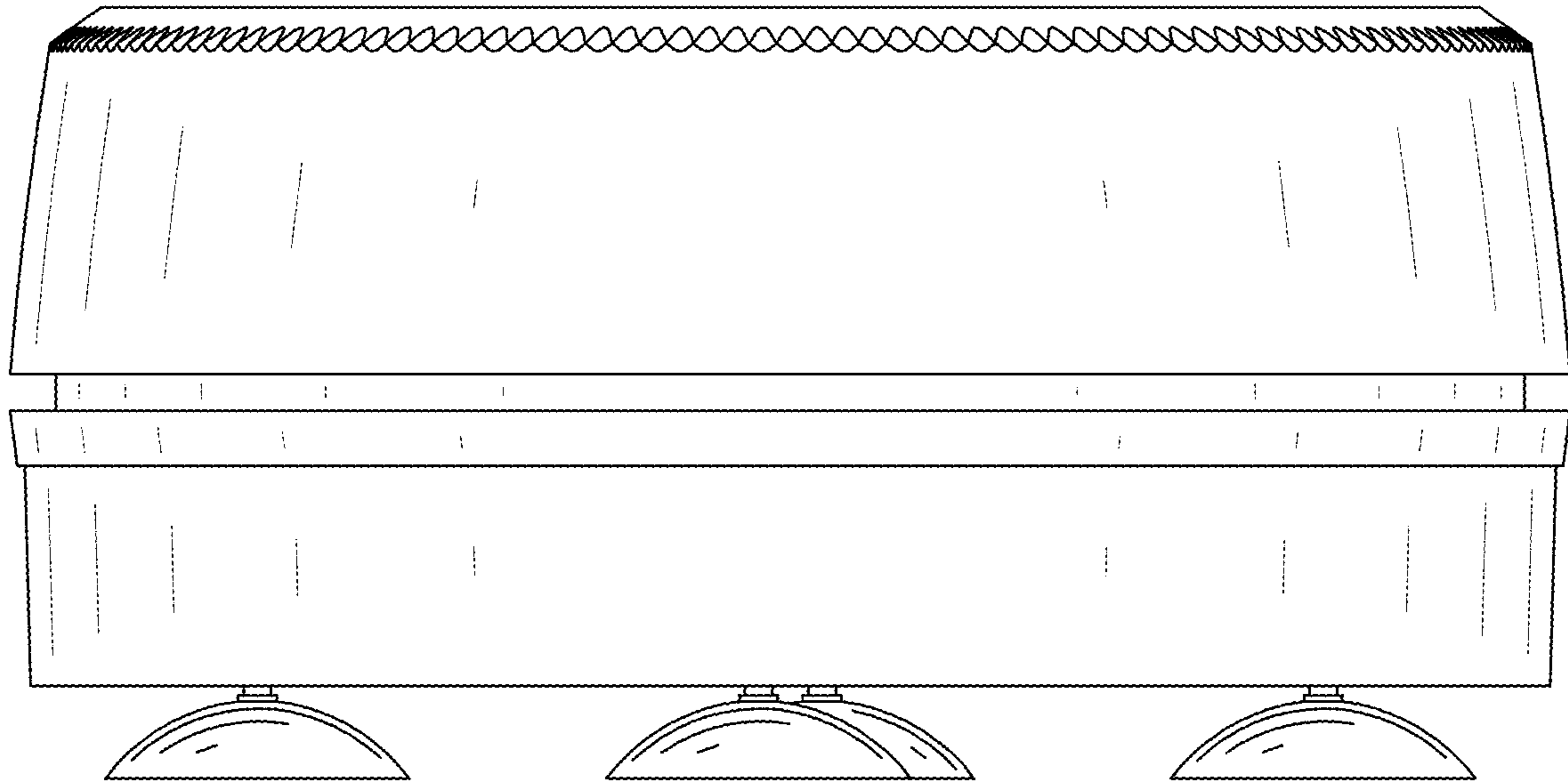


FIG. 5

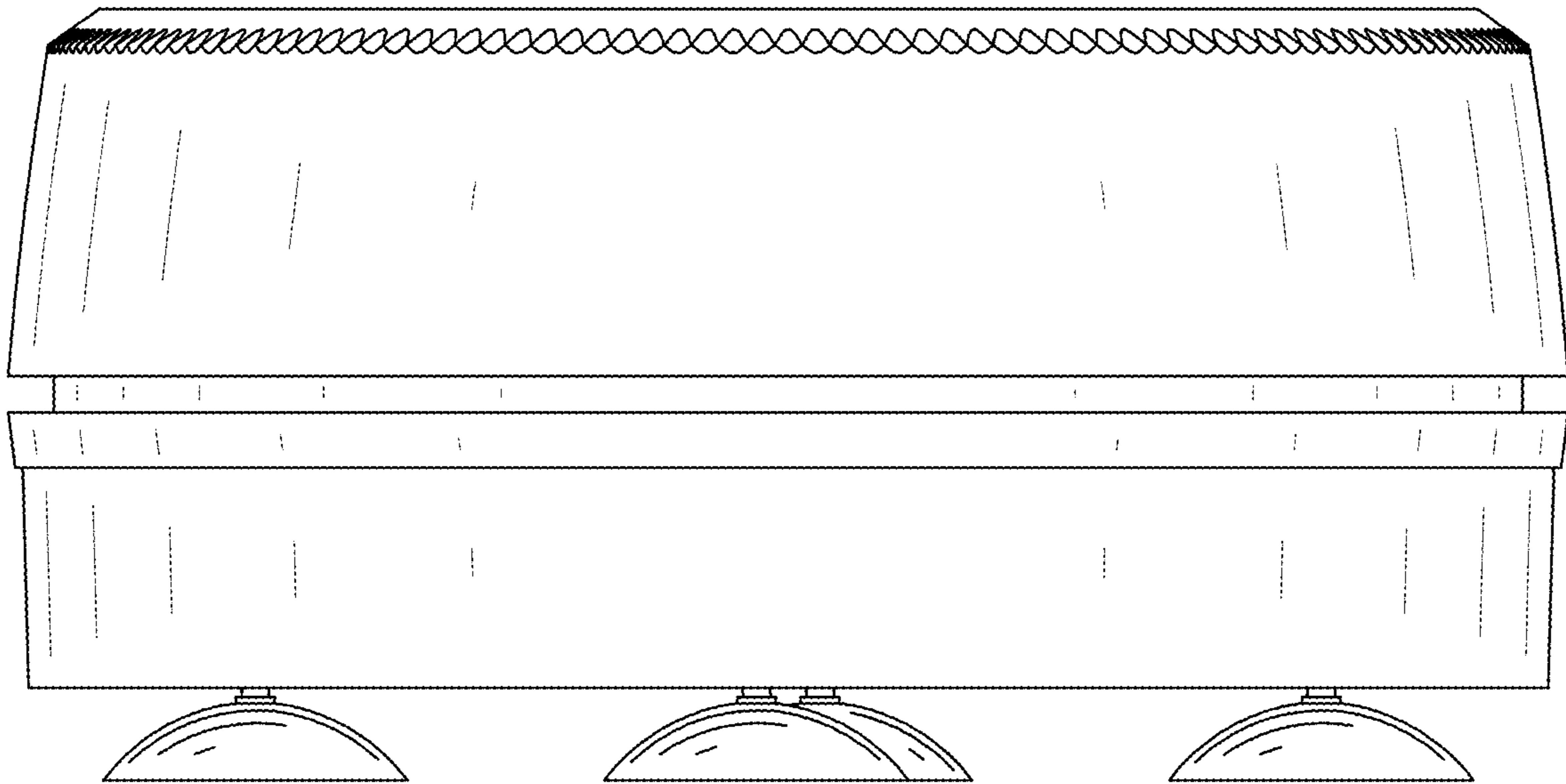


FIG. 6

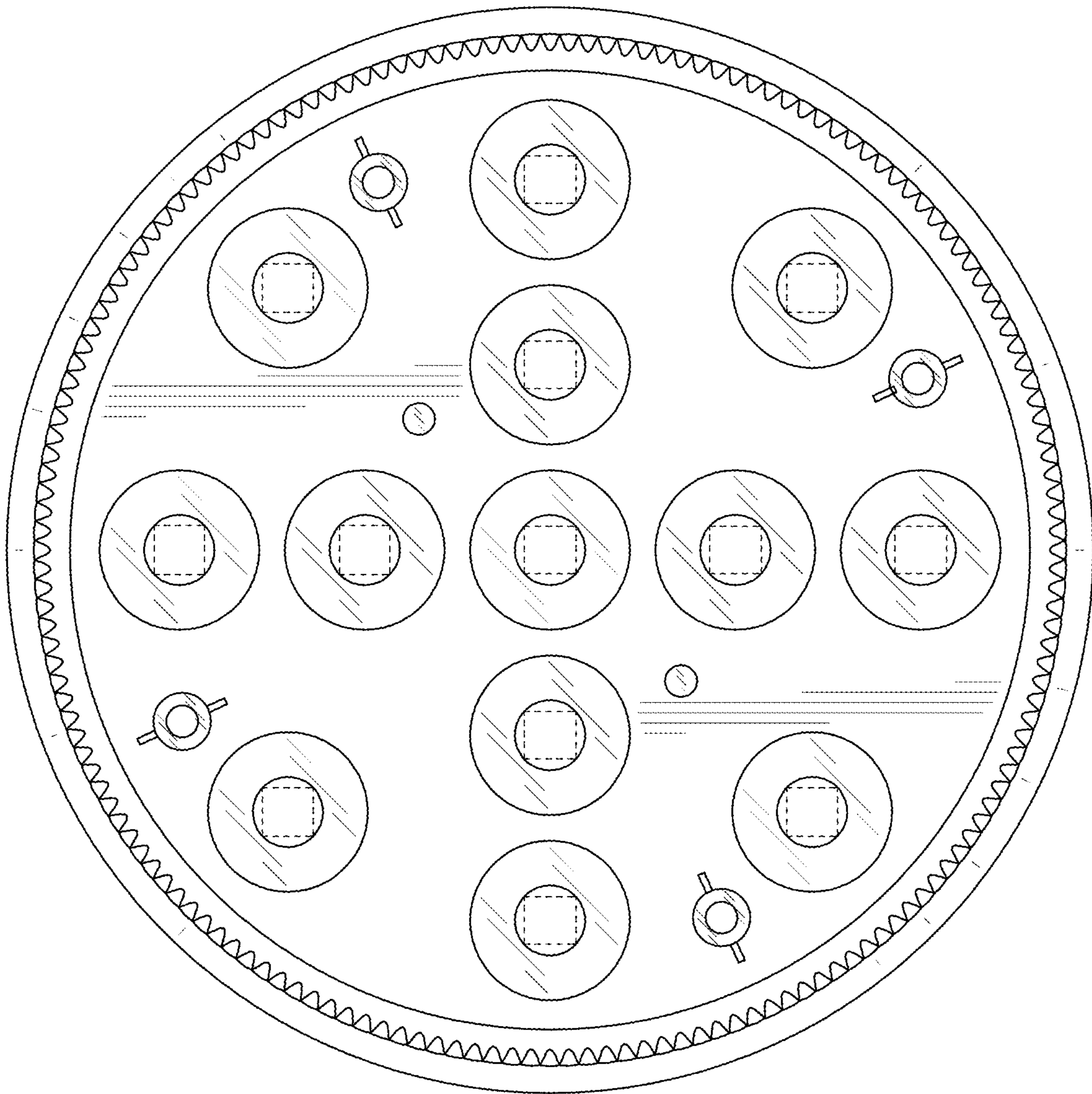


FIG. 7

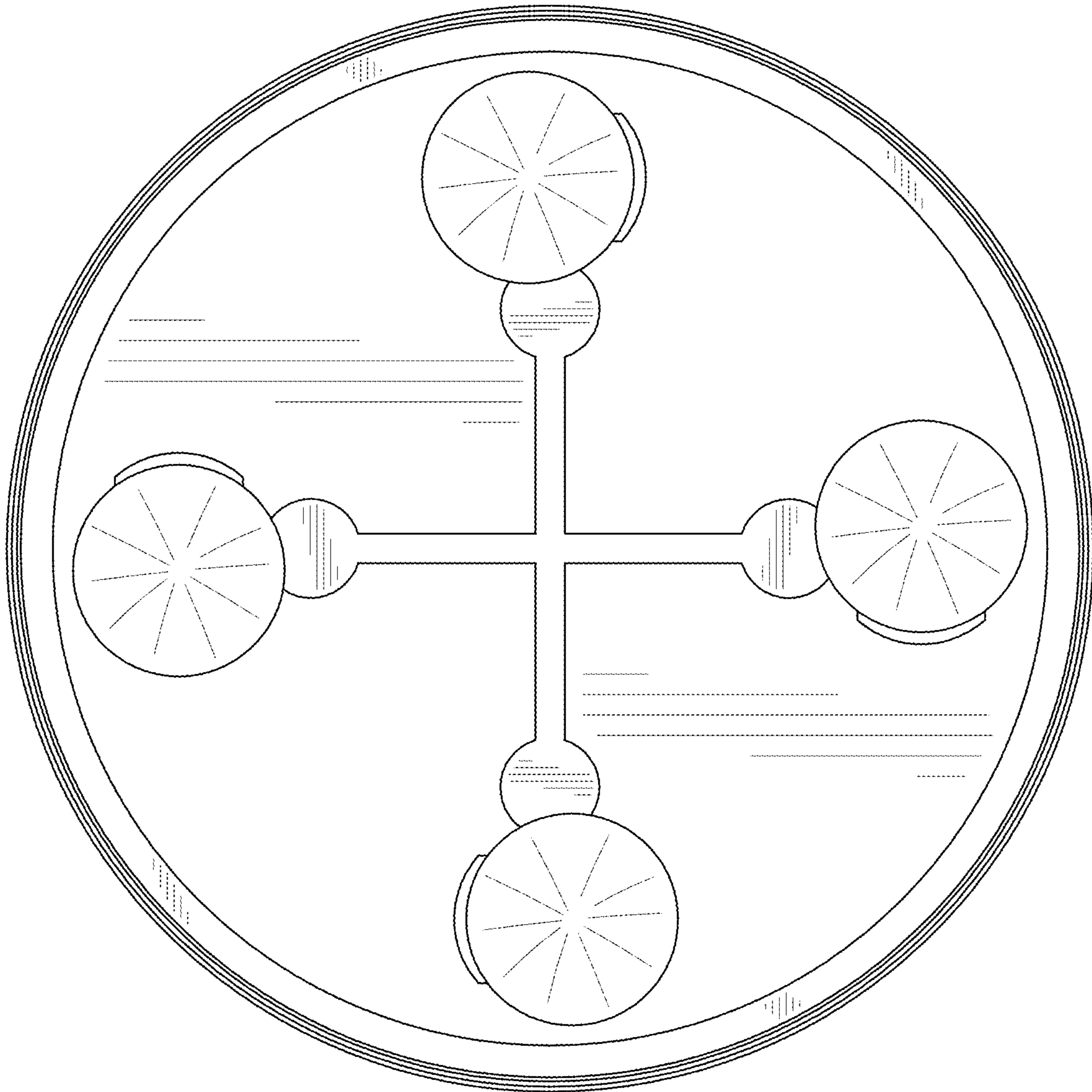


FIG. 8