



US00D952922S

(12) **United States Design Patent** (10) **Patent No.:** **US D952,922 S**
Green et al. (45) **Date of Patent:** **** May 24, 2022**

(54) **WORK LIGHT**
(71) Applicant: **Home Depot Product Authority, LLC**,
Atlanta, GA (US)
(72) Inventors: **Adam Green**, Marietta, GA (US);
Bernard Scott, II, Lawrenceville, GA
(US)
(73) Assignee: **Home Depot Product Authority, LLC**,
Atlanta, GA (US)
(**) Term: **15 Years**
(21) Appl. No.: **29/637,856**
(22) Filed: **Feb. 22, 2018**
(51) **LOC (13) Cl.** **26-02**
(52) **U.S. Cl.**
USPC **D26/42**
(58) **Field of Classification Search**
USPC D26/37-51
CPC F21L 2003/00; F21L 4/00; F21L 4/005;
F21L 4/02; F21L 4/025; F21L 4/027;
F21L 4/04; F21L 4/08; F21L 2005/00;
F21L 7/00; F21L 11/00; F21L 13/00;
F21L 13/04; F21L 13/08; F21L 14/02;
F21L 17/00; F21L 19/00; F21L 25/00
See application file for complete search history.

(56) **References Cited**
U.S. PATENT DOCUMENTS
D332,839 S * 1/1993 Beckner, Jr. D26/37
D361,633 S * 8/1995 Chabria D26/37
D721,841 S * 1/2015 Kwon D26/37
D742,568 S * 11/2015 Abernethy D26/42
D752,792 S * 3/2016 Grandadam D26/42
D757,971 S * 5/2016 Kovacic D26/37
D757,972 S * 5/2016 Caito D26/42
D760,927 S * 7/2016 Bao D26/24
D768,897 S * 10/2016 Cooper D26/37

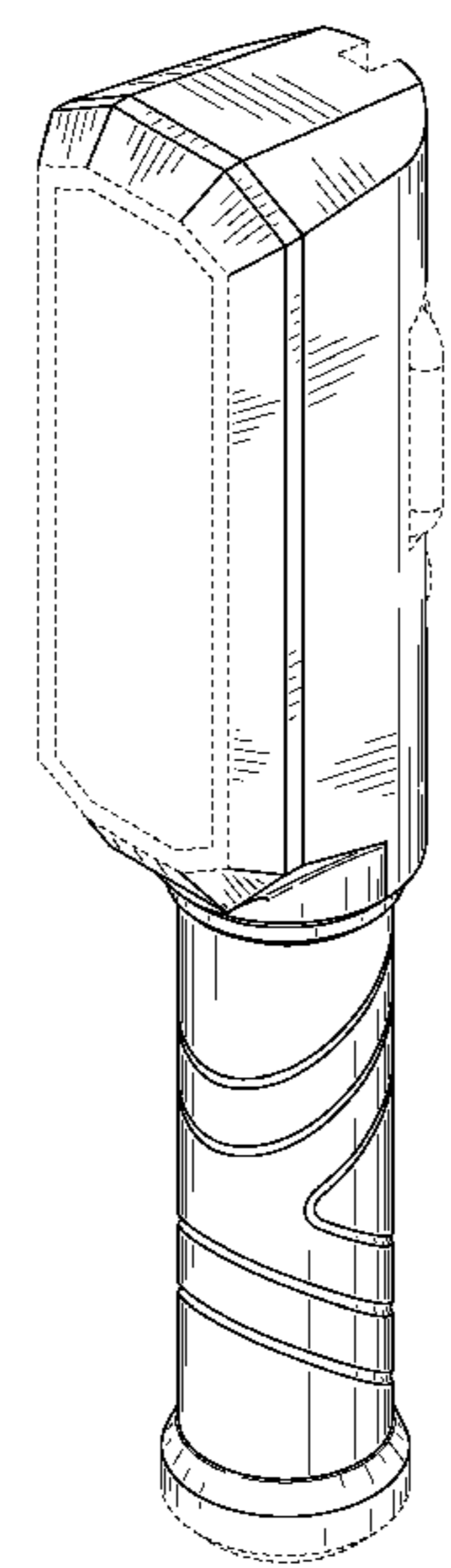
D794,234 S * 8/2017 Levy D26/37
D802,813 S * 11/2017 Li D26/51
D803,444 S * 11/2017 Green D26/49
D805,666 S * 12/2017 Nguyen D26/37
D806,294 S * 12/2017 Nguyen D26/37
D809,169 S * 1/2018 Grandadam D26/38
D810,335 S * 2/2018 Levy D26/37
D821,007 S * 6/2018 Chen D26/39
D831,248 S * 10/2018 Kuhls D26/37
D835,821 S * 12/2018 Bao D26/44
D836,064 S * 12/2018 Liu D13/102
D840,075 S * 2/2019 Bao D26/44
D850,684 S * 6/2019 Zhang D26/42
D851,307 S * 6/2019 Sharrah D26/39
D854,207 S * 7/2019 Zheng D26/44
(Continued)

Primary Examiner — Lakiya G Rogers
Assistant Examiner — William B Melliar
(74) *Attorney, Agent, or Firm* — Greenberg Traurig, LLP

(57) **CLAIM**
We claim the ornamental design for a work light, as shown
and described.

DESCRIPTION
FIG. 1 is a front perspective view of our work light;
FIG. 2 is a front view thereof;
FIG. 3 is a rear view thereof;
FIG. 4 is a left side view thereof;
FIG. 5 is a right side view thereof;
FIG. 6 is a top view thereof; and,
FIG. 7 is a bottom view thereof.
The dashed lines in the figures represent environmental
structure and form no part of the claimed design. The long
dash-short dash lines that abut a claimed surface represent
an unclaimed boundary between claimed and unclaimed
surfaces and form no part of the claimed design. All other
surface(s) or portion(s) of our designs not shown in the
figures or otherwise described in the specification form no
part of the claimed design.

1 Claim, 4 Drawing Sheets



(56)

References Cited

U.S. PATENT DOCUMENTS

D878,650	S	*	3/2020	Grandadam	D26/42
D882,838	S	*	4/2020	Mao	D26/37
D889,711	S	*	7/2020	Green	D26/37
D889,714	S	*	7/2020	Green	D26/43
D891,662	S	*	7/2020	Poffler	D26/46
D904,657	S	*	12/2020	Proeber	D26/42
D932,077	S	*	9/2021	Green	D26/37
D936,881	S	*	11/2021	Eichelberger	D26/44

* cited by examiner

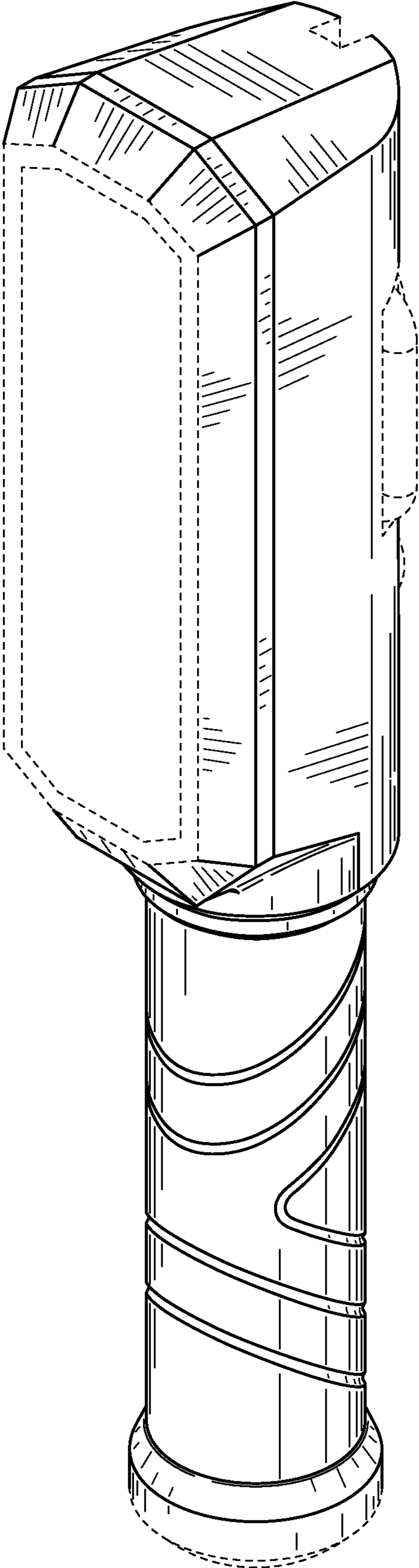


FIG. 1

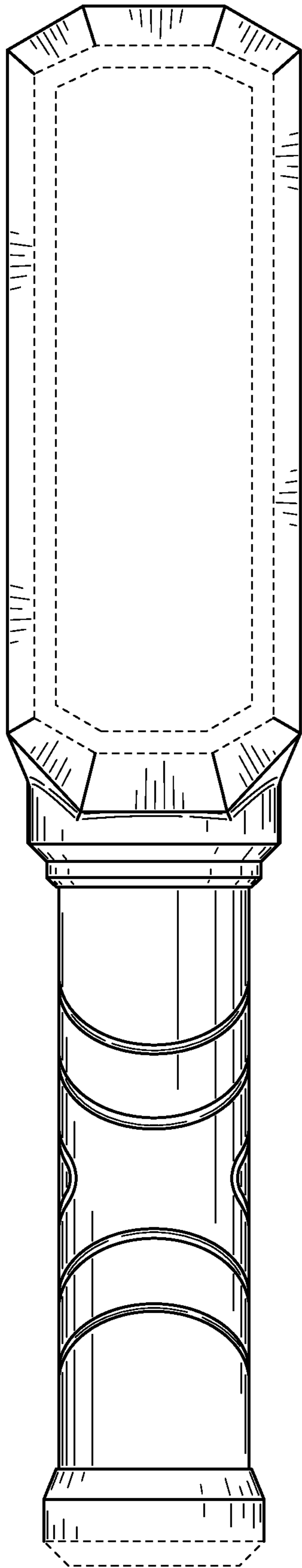


FIG. 2

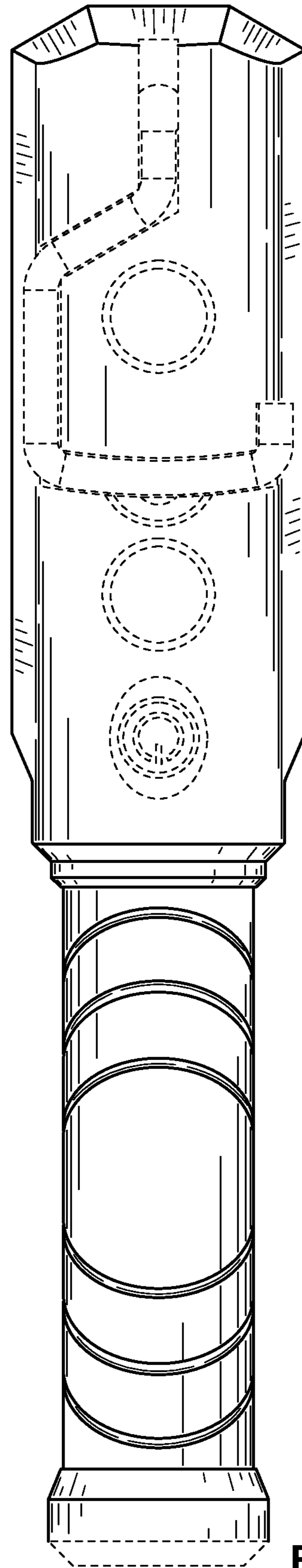


FIG. 3

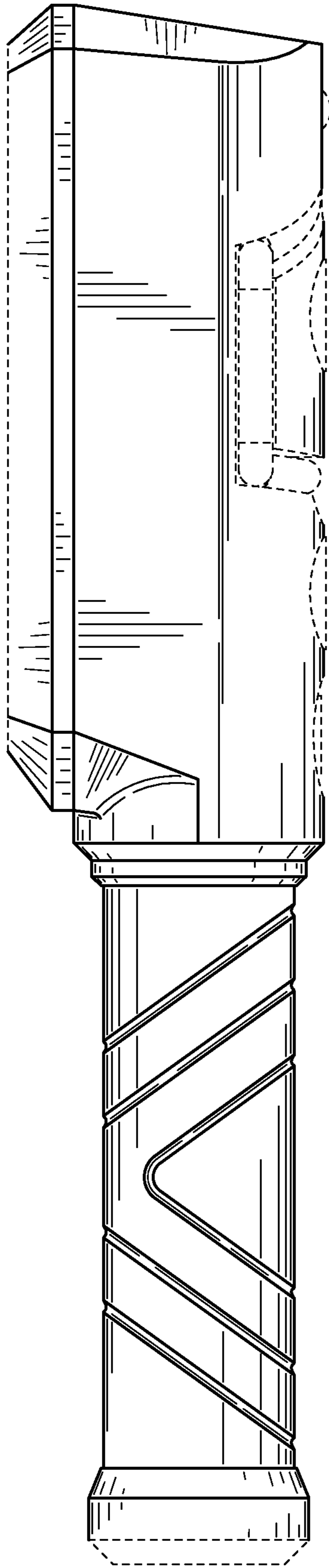


FIG. 4

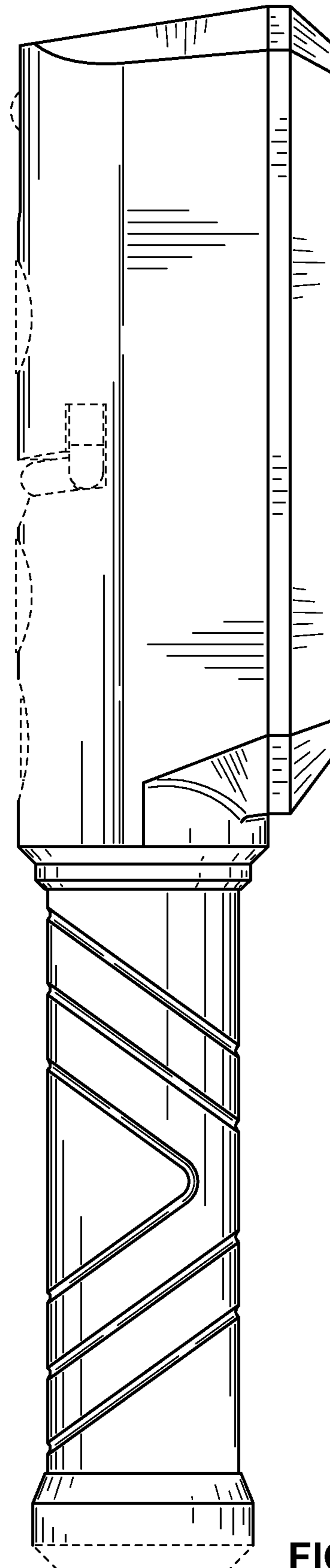


FIG. 5

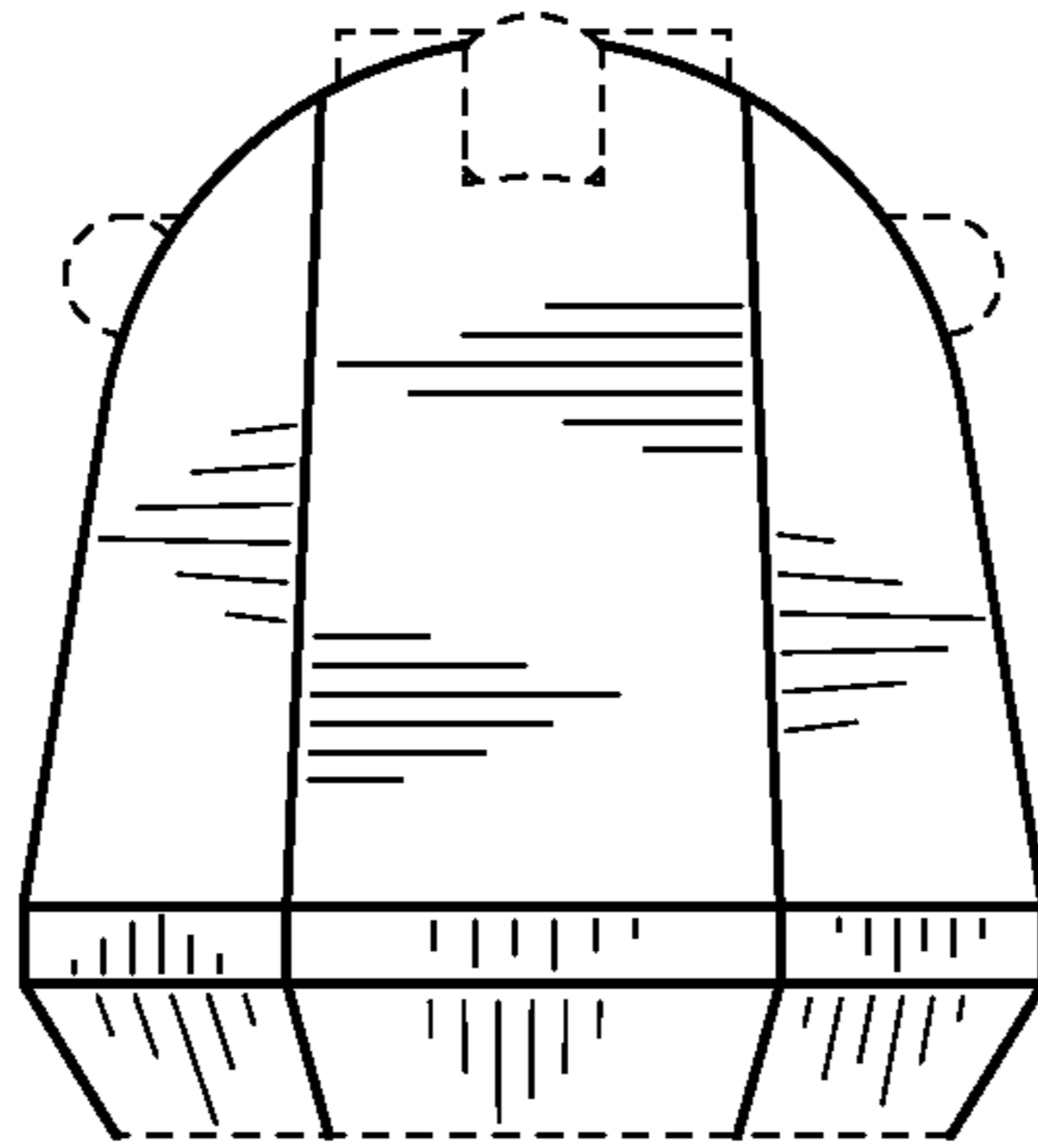


FIG. 6

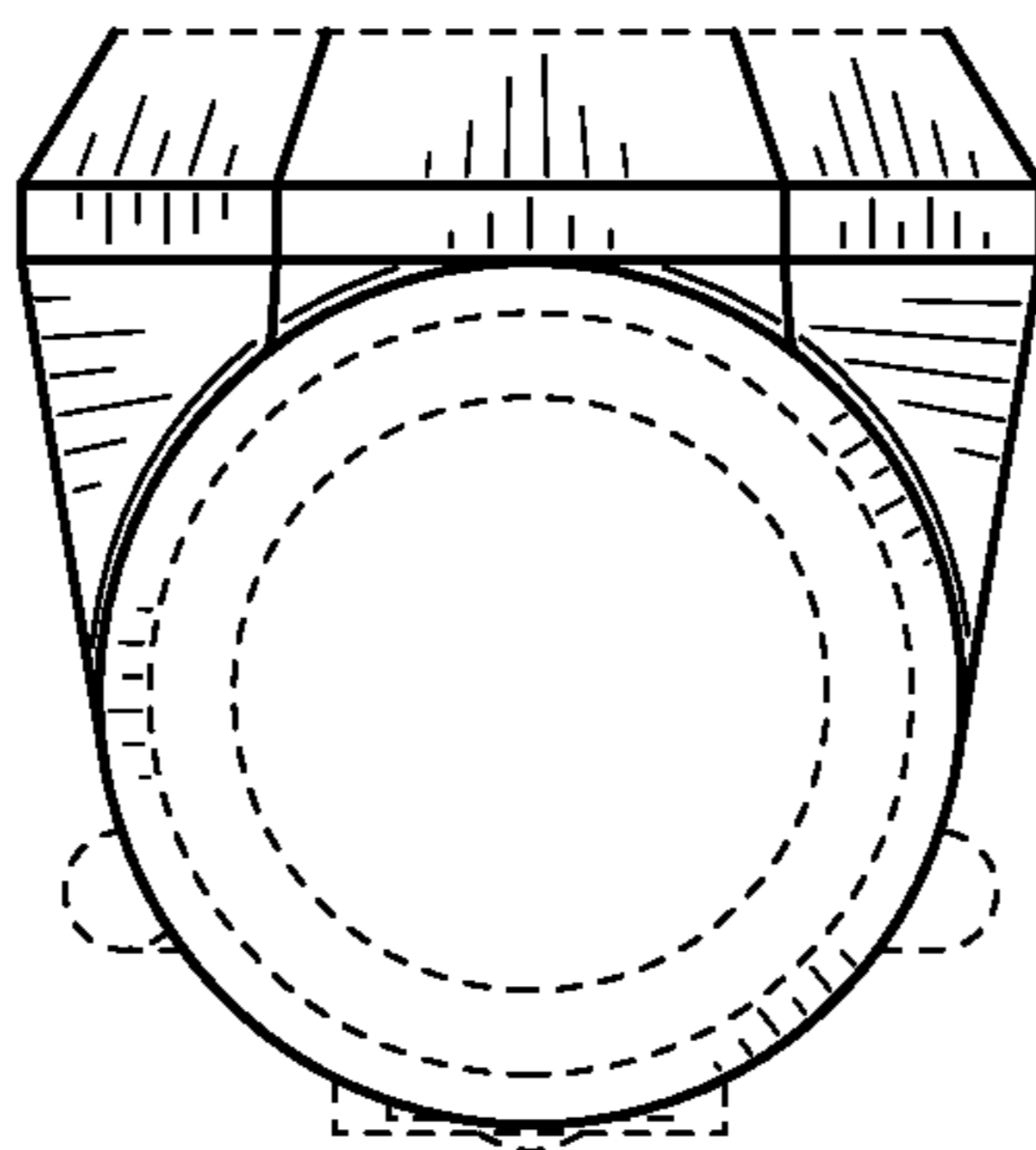


FIG. 7