



US00D952921S

(12) **United States Design Patent** (10) **Patent No.:** **US D952,921 S**  
**Saboo** (45) **Date of Patent:** **\*\* May 24, 2022**

(54) **TRIPOD LIGHT** D858,837 S \* 9/2019 Vasquez ..... F16M 11/10  
D26/60  
(71) Applicant: **West Coast Imports, Inc.**, Commerce, CA (US) D858,838 S \* 9/2019 Vasquez ..... D26/60  
D866,030 S \* 11/2019 Bao ..... D26/44  
(Continued)

(72) Inventor: **Vinay Saboo**, Commerce, CA (US)  
(73) Assignee: **WEST COAST IMPORTS, INC.**, Commerce, CA (US)

**FOREIGN PATENT DOCUMENTS**

CN 303043764 \* 12/2014  
JP D1579310 \* 6/2017

(\*\*) Term: **15 Years**

**OTHER PUBLICATIONS**

(21) Appl. No.: **29/704,760**  
(22) Filed: **Sep. 6, 2019**  
(51) **LOC (13) Cl.** ..... **26-02**  
(52) **U.S. Cl.**  
USPC ..... **D26/41; D26/37**  
(58) **Field of Classification Search**  
USPC ..... D26/37-44, 46-52  
CPC ..... F21V 15/01; F21V 15/04; F21V 21/06;  
F21V 21/32; F21V 21/145; F21V 21/30;  
F21V 21/40; F21L 4/04; F21W  
2131/1005; F21W 2131/402  
See application file for complete search history.

“Dewait 20v tripod light (DCL079) and Milwaukee M18 rocket lights (2130/2135-20) comparison,” Dec. 12, 2017, youtube.com, site visited Aug. 12, 2021, URL: <https://www.youtube.com/watch?v=qmFFMrallkk> (Year: 2017).\*

(Continued)

*Primary Examiner* — Eric L Goodman  
*Assistant Examiner* — Sarah L Smith  
(74) *Attorney, Agent, or Firm* — Tarter Krinsky & Drogin LLP

(57) **CLAIM**

The ornamental design for a tripod light, as shown and described.

(56) **References Cited**

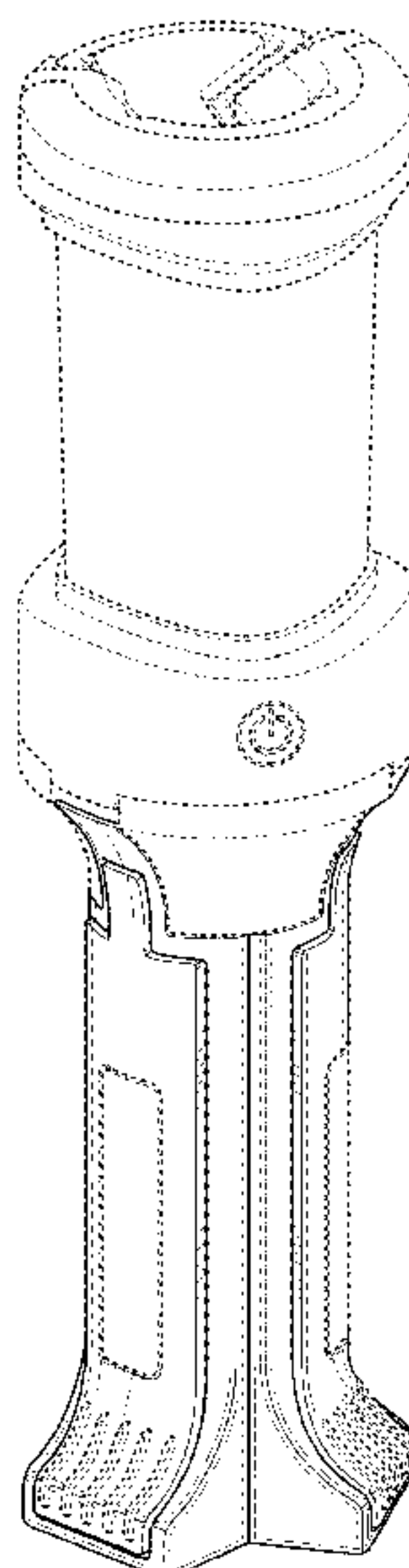
**DESCRIPTION**

**U.S. PATENT DOCUMENTS**

D417,921 S \* 12/1999 Dalton ..... D26/49  
D441,888 S \* 5/2001 Haneda ..... D26/42  
D540,484 S \* 4/2007 Bayat ..... D26/42  
D541,962 S \* 5/2007 Bayat ..... D26/42  
D620,627 S \* 7/2010 Kovacik ..... D26/42  
D628,325 S \* 11/2010 Houghton ..... D26/41  
D726,354 S \* 4/2015 Davies ..... D26/37  
D734,519 S \* 7/2015 Shen ..... D26/49  
D739,063 S \* 9/2015 Su ..... D26/42  
D750,825 S \* 3/2016 Bryant ..... D26/42  
D757,973 S \* 5/2016 Zhang ..... D26/44  
D766,478 S \* 9/2016 Zhang ..... D26/44  
D794,236 S \* 8/2017 Kovacik ..... D26/42  
D848,655 S \* 5/2019 Fang ..... D26/63

FIG. 1 is a perspective view of a tripod light in a closed configuration;  
FIG. 2 is a front view thereof;  
FIG. 3 is a rear view thereof;  
FIG. 4 is a first side view thereof;  
FIG. 5 is a second side view thereof;  
FIG. 6 is a top view thereof;  
FIG. 7 is a bottom view thereof; and,  
FIG. 8 is a perspective view of the tripod light in an open configuration.  
The broken lines shown in the figures are environmental and form no part of the claimed design.

**1 Claim, 5 Drawing Sheets**



(56)

**References Cited**

U.S. PATENT DOCUMENTS

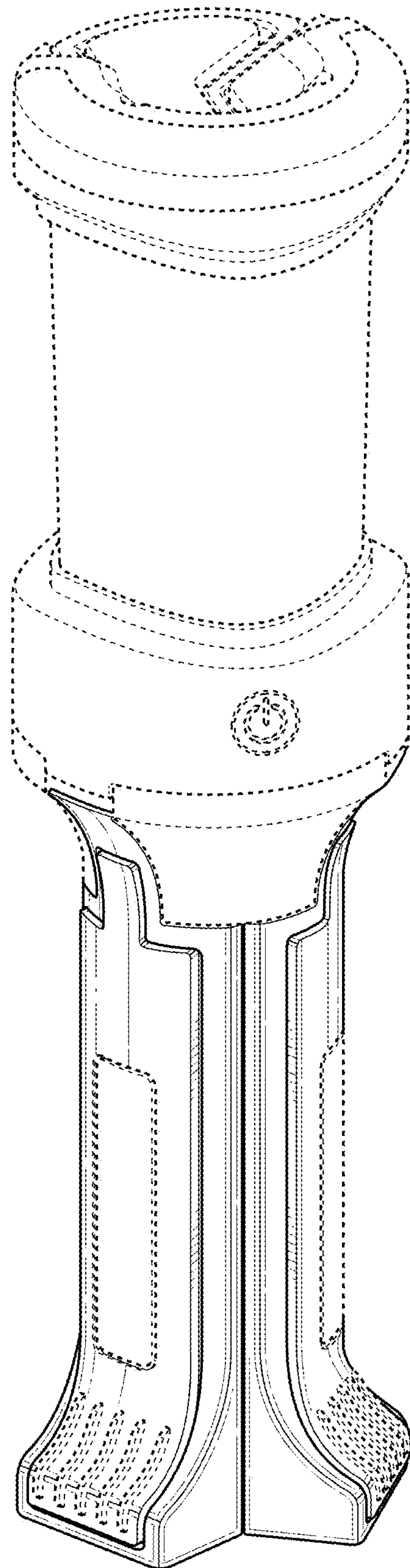
2002/0136005 A1\* 9/2002 Lee ..... F21V 21/06  
362/171  
2004/0228133 A1\* 11/2004 Tsao ..... F16M 11/10  
362/418

OTHER PUBLICATIONS

“Milwaukee M18 Rocket LED Tower Light / Charger Review In 4K,” Feb. 23, 2017, youtube.com, site visited Aug. 12, 2021, URL: <https://www.youtube.com/watch?v=2pVzSv4cntw> (Year: 2017).\*

“Farpoint Versa Beam Tripod Area Light,” Jul. 23, 2019, youtube.com, site visited Aug. 12, 2021, URL: <https://www.youtube.com/watch?v=INIFQCFyapQ> (Year: 2019).\*

\* cited by examiner



**FIG. 1**

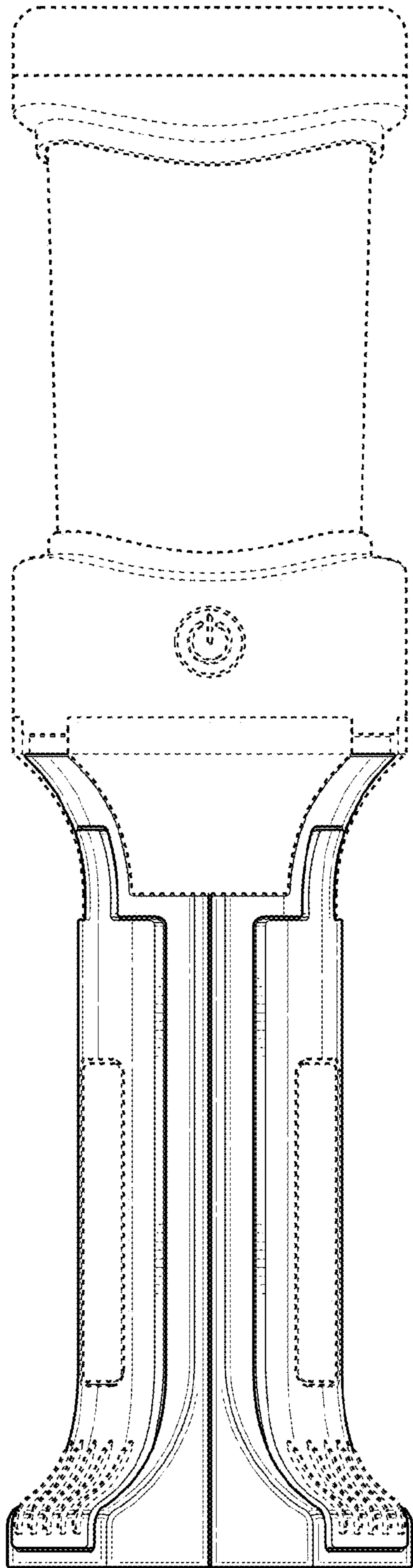


FIG. 2

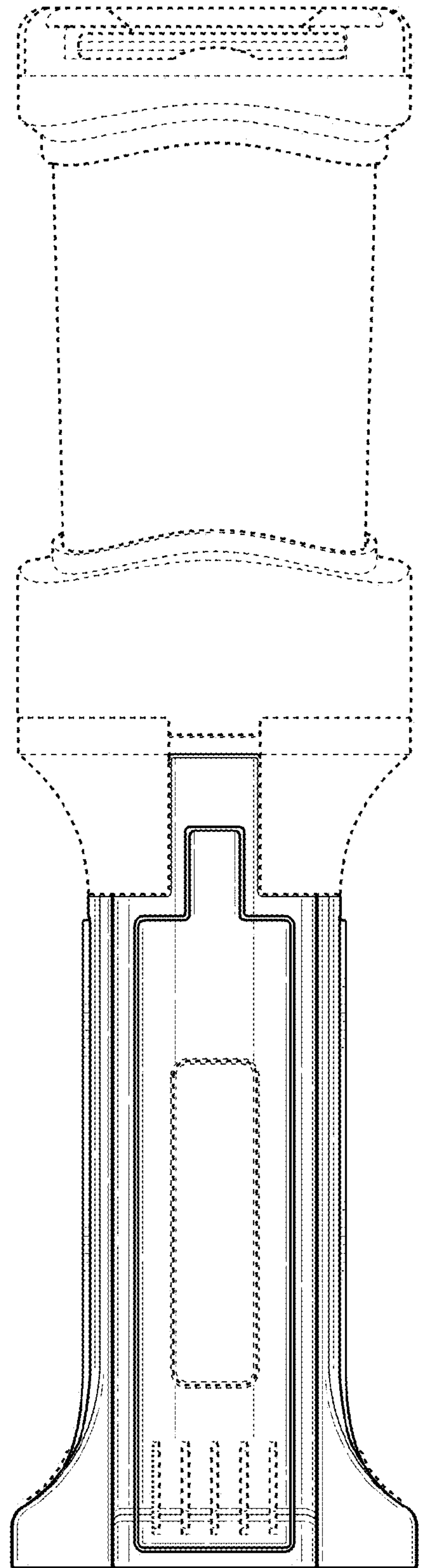


FIG. 3



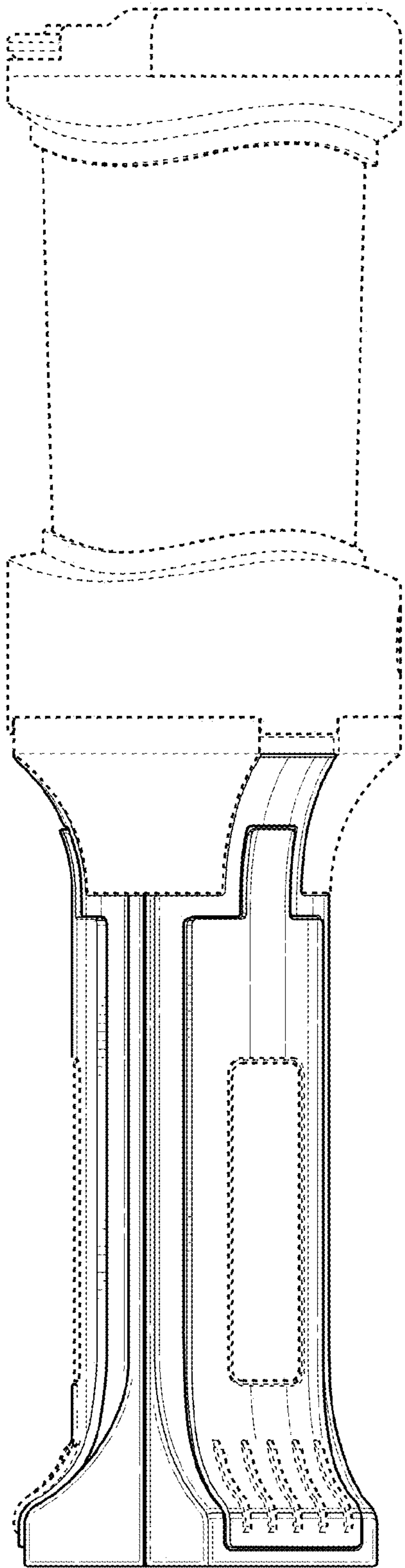


FIG. 4

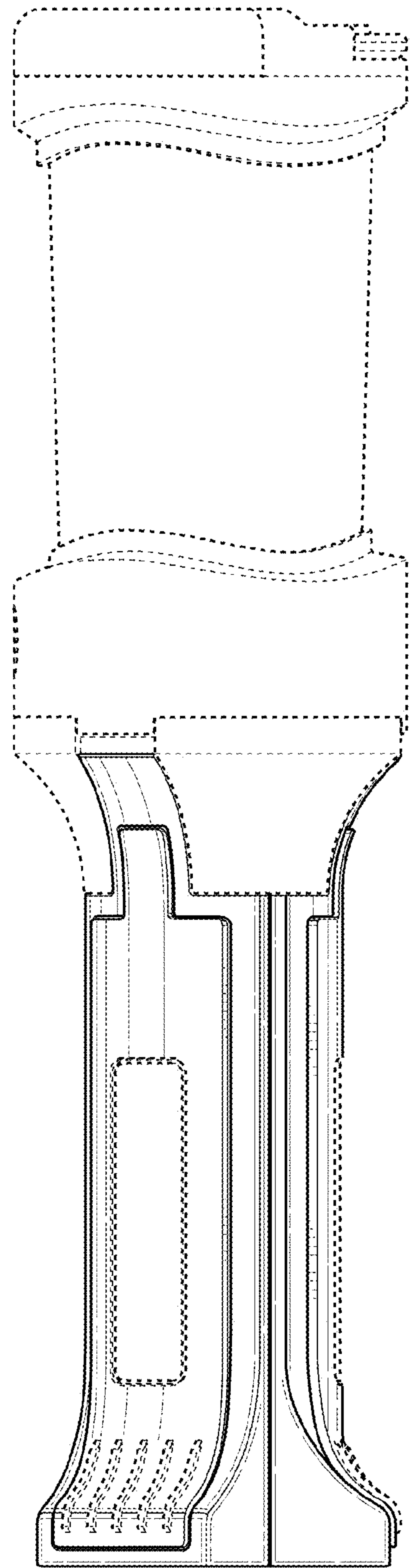
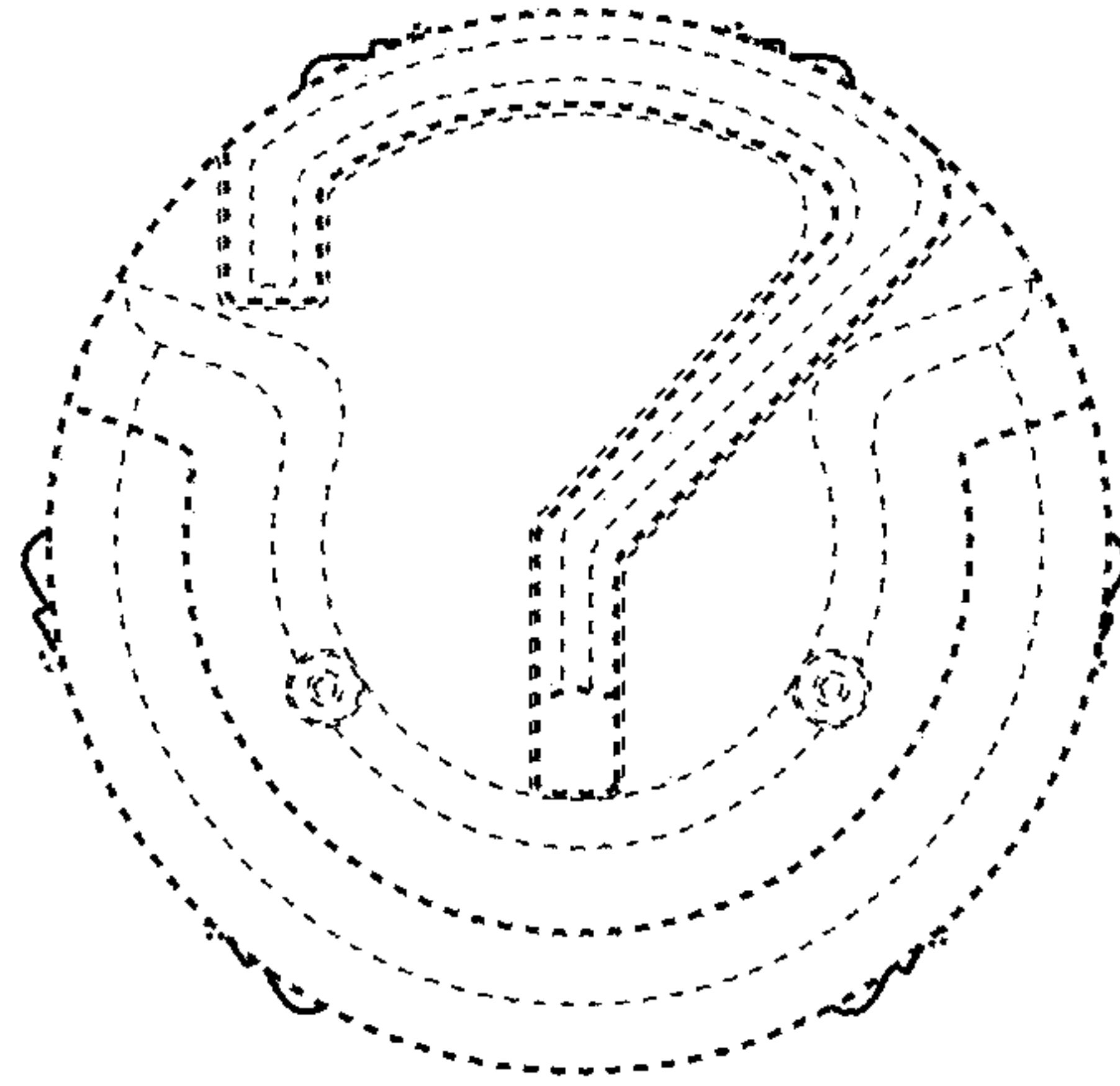
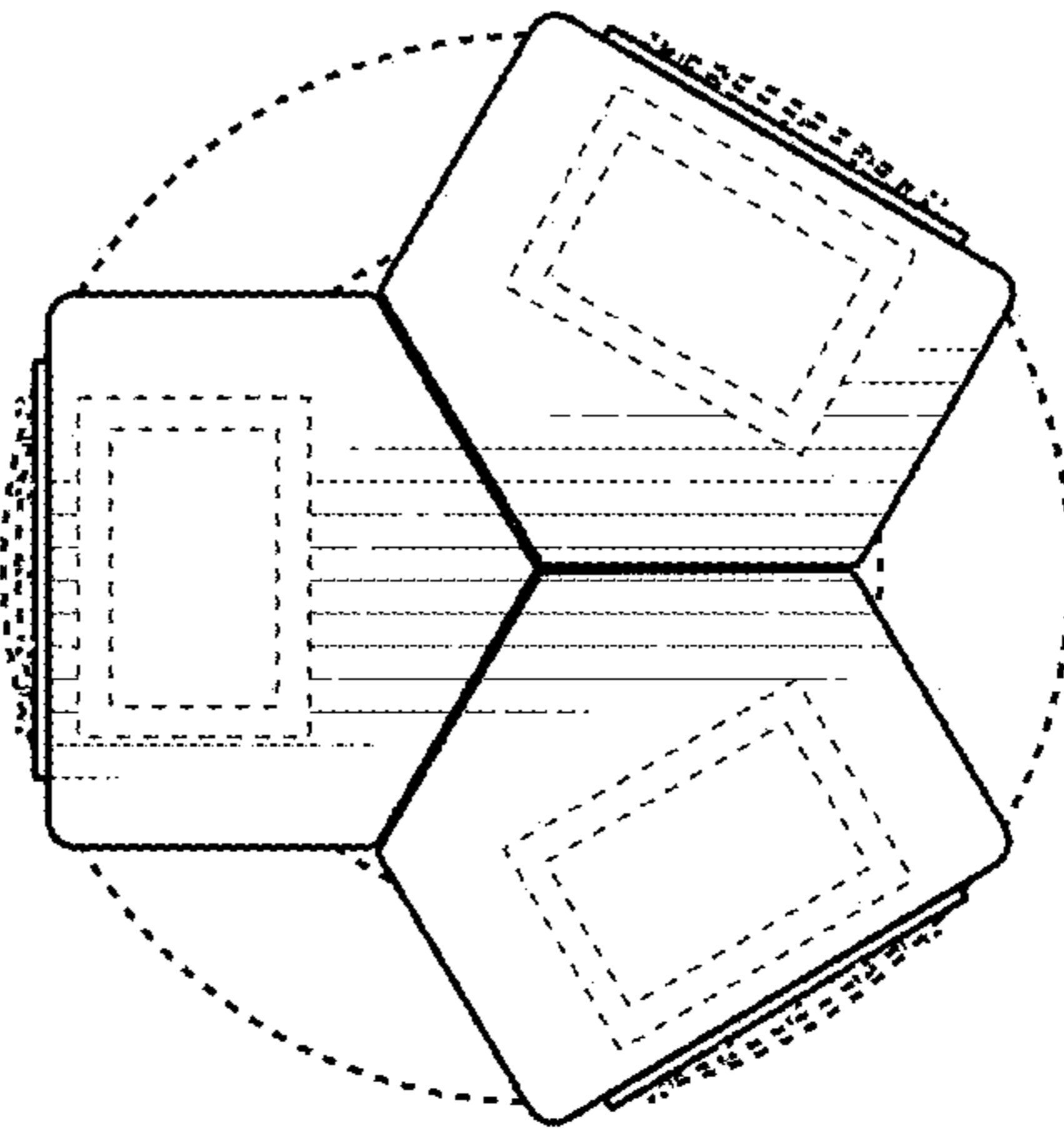


FIG. 5



**FIG. 6**



**FIG. 7**

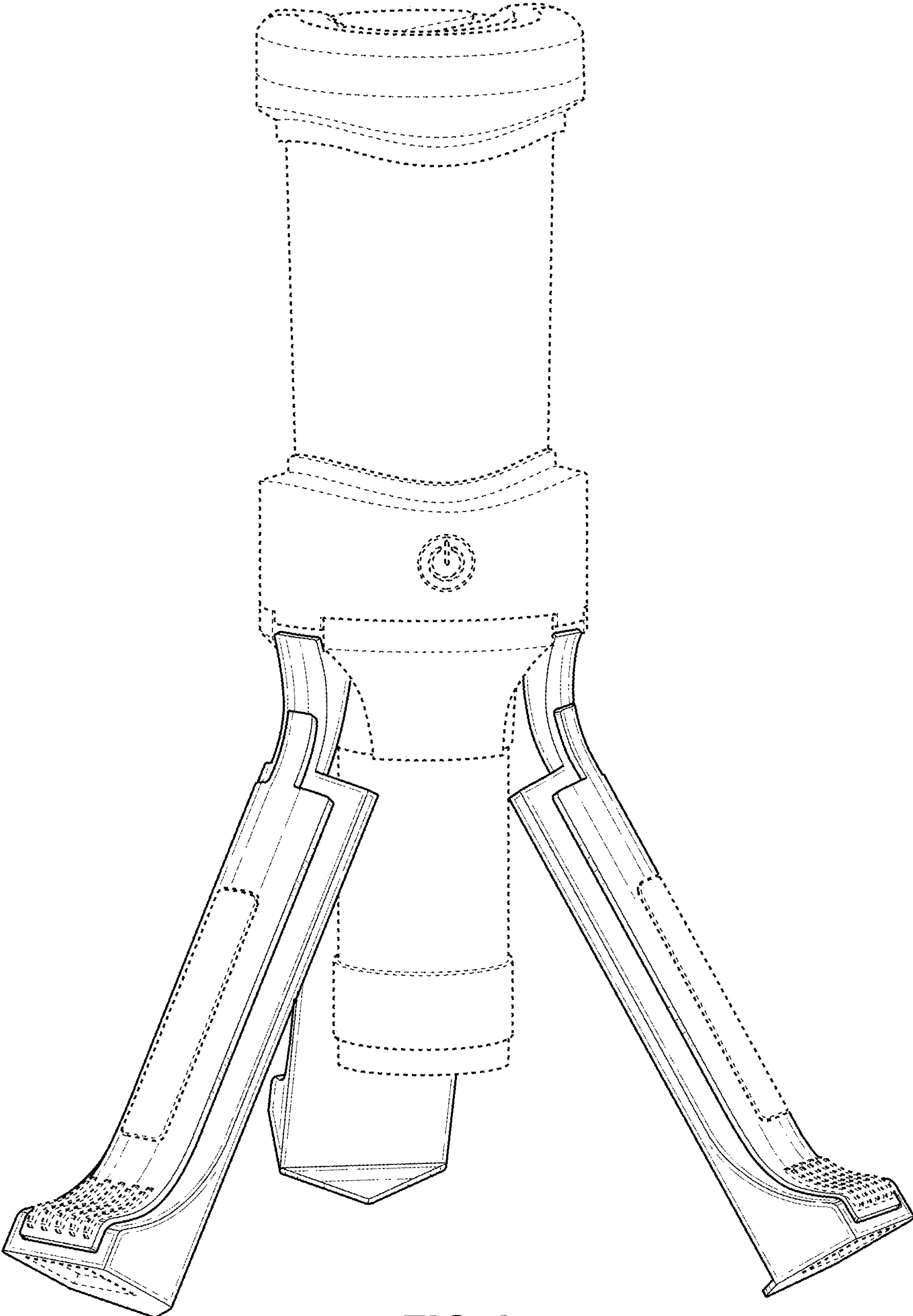


FIG. 8