



US00D952916S

(12) **United States Design Patent** (10) **Patent No.:** **US D952,916 S**
Cho et al. (45) **Date of Patent:** **** May 24, 2022**

(54) **REAR COMBINATION LAMP FOR AN AUTOMOBILE**
(71) Applicants: **Kia Motors Corporation**, Seoul (KR); **Hyundai Motor Company**, Seoul (KR)
(72) Inventors: **Jae Uk Cho**, Suwon-si (KR); **Ji Won Ha**, Suwon-si (KR)
(73) Assignees: **Kia Motors Corporation**, Seoul (KR); **Hyundai Motor Company**, Seoul (KR)
(**) Term: **15 Years**

D399,119 S * 10/1998 Miller D8/336
D447,825 S * 9/2001 Lee D26/28
D454,725 S * 3/2002 Lanham D6/675
D469,196 S * 1/2003 Ohsawa D26/35
D472,986 S * 4/2003 Kim D26/28
D481,293 S * 10/2003 Ayrest D8/331
D488,714 S * 4/2004 Schengrund D8/382
D489,144 S * 4/2004 Dalton, Jr. D26/28
D526,430 S * 8/2006 Hernandez D26/31
D535,869 S * 1/2007 Brunsteter D8/382
D544,112 S * 6/2007 Moore D26/28
D602,347 S * 10/2009 Allen D8/382
D637,746 S * 5/2011 Kong D26/28
D647,650 S * 10/2011 Itaya D26/28
D684,711 S * 6/2013 Chen D26/28

(Continued)

(21) Appl. No.: **35/510,717**

(22) Filed: **May 8, 2020**

(80) **Hague Agreement Data**

Int. Filing Date: **May 8, 2020**
Int. Reg. No.: **DM/208303**
Int. Reg. Date: **May 8, 2020**
Int. Reg. Pub. Date: **Nov. 13, 2020**

(30) **Foreign Application Priority Data**

Jan. 30, 2020 (KR) 30-2020-0004041

(51) **LOC (13) Cl.** **26-06**

(52) **U.S. Cl.**
USPC **D26/28**

(58) **Field of Classification Search**

USPC D26/28, 29, 34, 35, 36
CPC B60Q 1/30; B60Q 1/26; B60Q 1/2603;
B60Q 1/2619; B60Q 1/2696; F21S 41/00;
F21S 41/141; F21S 41/20; F21S 41/30;
F21S 43/00; F21S 43/14; F21S 43/15;
F21S 43/30

See application file for complete search history.

(56) **References Cited**

U.S. PATENT DOCUMENTS

D314,244 S * 1/1991 Matsumura D26/35
D315,218 S * 3/1991 Matsumura D26/35

OTHER PUBLICATIONS

2021 Hyundai Elantra—Perfect Car, AutoShow, youtube.com, <https://www.youtube.com/watch?v=B8e3CmWbAeM> (Year: 2020).*

(Continued)

Primary Examiner — Steven J Czyz

(74) *Attorney, Agent, or Firm* — Mintz Levin Cohn Ferris and Popeo, P.C.; Peter F. Corless

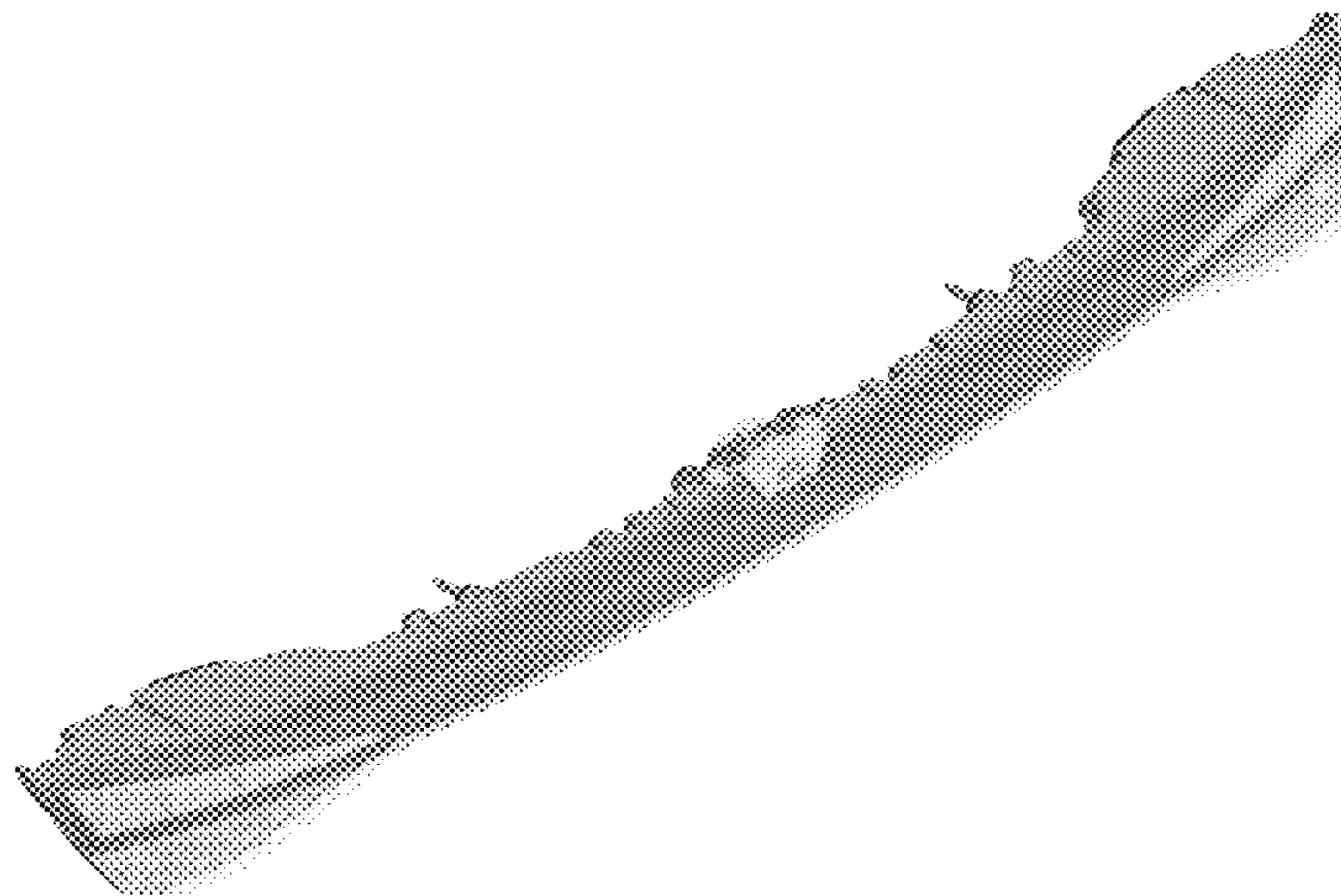
(57) **CLAIM**

The ornamental design for a rear combination lamp for an automobile, as shown and described.

DESCRIPTION

- 1. Rear combination lamp for an automobile
- 1.1 : Perspective
- 1.2 : Front
- 1.3 : Back
- 1.4 : Left
- 1.5 : Right
- 1.6 : Top
- 1.7 : Bottom

1 Claim, 7 Drawing Sheets



(56)

References Cited

U.S. PATENT DOCUMENTS

D695,588 S * 12/2013 Cantwell D8/331
 D708,369 S * 7/2014 Song D26/28
 D711,025 S * 8/2014 Gueler D26/28
 D711,562 S * 8/2014 Dickman D26/28
 D738,551 S * 9/2015 Diephuis D26/28
 D740,473 S * 10/2015 Chen D26/35
 D743,588 S * 11/2015 Wolff D26/28
 D747,016 S * 1/2016 George D26/28
 D751,233 S * 3/2016 Wolff D26/28
 D759,278 S * 6/2016 Kim D26/31
 D762,893 S * 8/2016 Hsu D26/28
 D765,891 S * 9/2016 Varga D26/28
 D775,751 S * 1/2017 Jones, Jr. D26/28
 9,564,049 B2 * 2/2017 Diba G08G 1/015
 D780,961 S * 3/2017 Curic D26/28
 D788,957 S * 6/2017 Hong D26/28
 D789,188 S * 6/2017 Votel D8/382
 D791,375 S * 7/2017 Lichte D26/28
 D795,472 S * 8/2017 Leutiger D26/28
 D799,310 S * 10/2017 Bacallao D8/382
 D801,558 S * 10/2017 Segui D26/28
 D802,183 S * 11/2017 Leutiger D26/28
 D809,168 S * 1/2018 Kennemer D26/28
 D815,765 S * 4/2018 Jacobsthal D26/28
 D821,858 S * 7/2018 Bergelin D8/382
 D822,237 S * 7/2018 Woodhouse D26/28
 D822,243 S * 7/2018 Lee D26/28
 D829,950 S * 10/2018 Ko D26/31
 10,100,995 B2 * 10/2018 Hirata B60Q 1/2607
 10,100,997 B2 * 10/2018 Albou F21S 43/16
 D832,688 S * 11/2018 Heindl D8/382
 D837,422 S * 1/2019 Yamashita D26/28
 D837,427 S * 1/2019 Lee D26/28
 D841,847 S * 2/2019 Re D26/28
 D845,043 S * 4/2019 Allen D6/675
 D845,520 S * 4/2019 Mossner D26/28
 D846,767 S * 4/2019 Thomas D26/28
 D846,768 S * 4/2019 Thomas D26/28
 D847,389 S * 4/2019 Thomas D26/28
 10,259,378 B2 * 4/2019 Ellwanger B60Q 1/302
 10,272,826 B2 * 4/2019 Daylong H05B 45/00
 D855,843 S * 8/2019 Von Holzhausen D26/28

D858,816 S * 9/2019 Ko D26/28
 D859,710 S * 9/2019 Choo D26/28
 D861,201 S * 9/2019 Fisker D26/28
 D863,631 S * 10/2019 Flores D26/28
 D869,029 S * 12/2019 Wang D26/28
 D870,926 S * 12/2019 Lanini D26/28
 D870,931 S * 12/2019 Woodhouse D26/28
 D871,625 S * 12/2019 Iida D26/28
 D872,325 S * 1/2020 Bauer D26/28
 D875,280 S * 2/2020 Lucas D26/28
 D877,371 S * 3/2020 Churchill D26/28
 D882,131 S * 4/2020 Goodrich D26/28
 D882,132 S * 4/2020 Hoste D26/28
 D887,051 S * 6/2020 Lai D26/31
 10,676,020 B1 * 6/2020 Stowell B60Q 1/0064
 D890,387 S * 7/2020 Kim D26/28
 D893,778 S * 8/2020 Kim D26/28
 D897,015 S * 9/2020 Gong D26/31
 D901,049 S * 11/2020 Stowell D26/31
 10,857,933 B2 * 12/2020 Kojima B61D 29/00
 10,962,191 B1 * 3/2021 Go G02B 19/0014
 D917,748 S * 4/2021 Lenglin D26/28
 D918,444 S * 5/2021 Yu D26/28
 D919,863 S * 5/2021 Hong D26/28
 D920,086 S * 5/2021 Bryant D8/382
 D920,087 S * 5/2021 Bryant D8/382
 D921,244 S * 6/2021 Jung D26/28
 D921,246 S * 6/2021 Lee D26/28
 D921,939 S * 6/2021 He D26/28
 D922,630 S * 6/2021 Kim D26/28
 D928,365 S * 8/2021 Patel D26/28

OTHER PUBLICATIONS

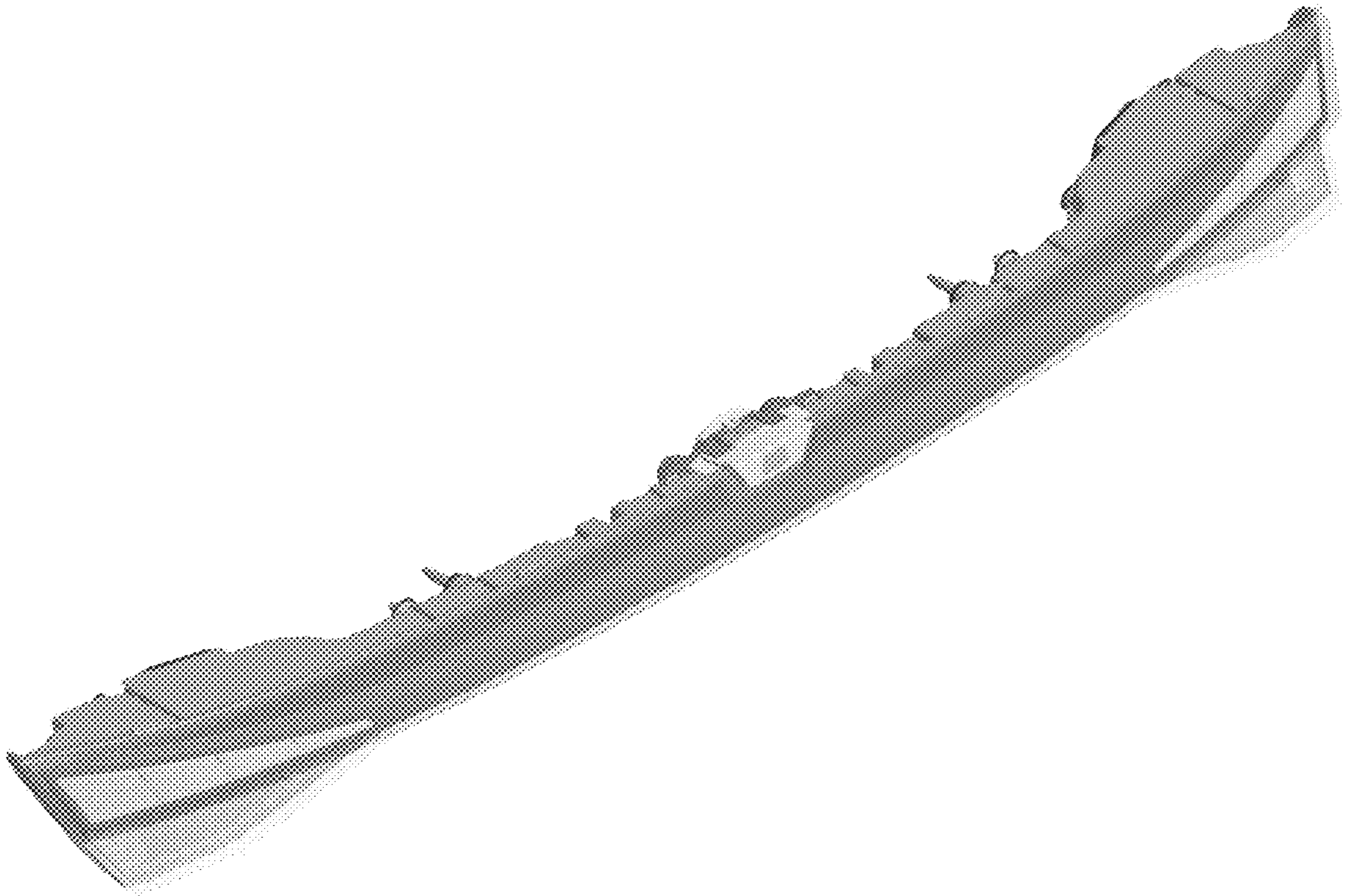
2021 Hyundai Elantra SEL Review, Amy Plemons, carprousa.com, <https://www.carprousa.com/vehicle-reviews/2021-hyundai-elantra-sel-review> (Year: 2021).*

2021 Hyundai Elantra N-Line Looks Perfectly Aggressive, By: Connor Hoffman, caranddriver.com, <https://www.caranddriver.com/news/a33246914/2021-hyundai-elantra-n-line-teased/> (Year: 2020).*

2021 Hyundai Elantra N Line, Hyundai, Cars, caricos.com, https://www.caricos.com/cars/h/hyundai/2021_hyundai_elantra_n_line/images/42.html (Year: 2021).*

* cited by examiner

1.1



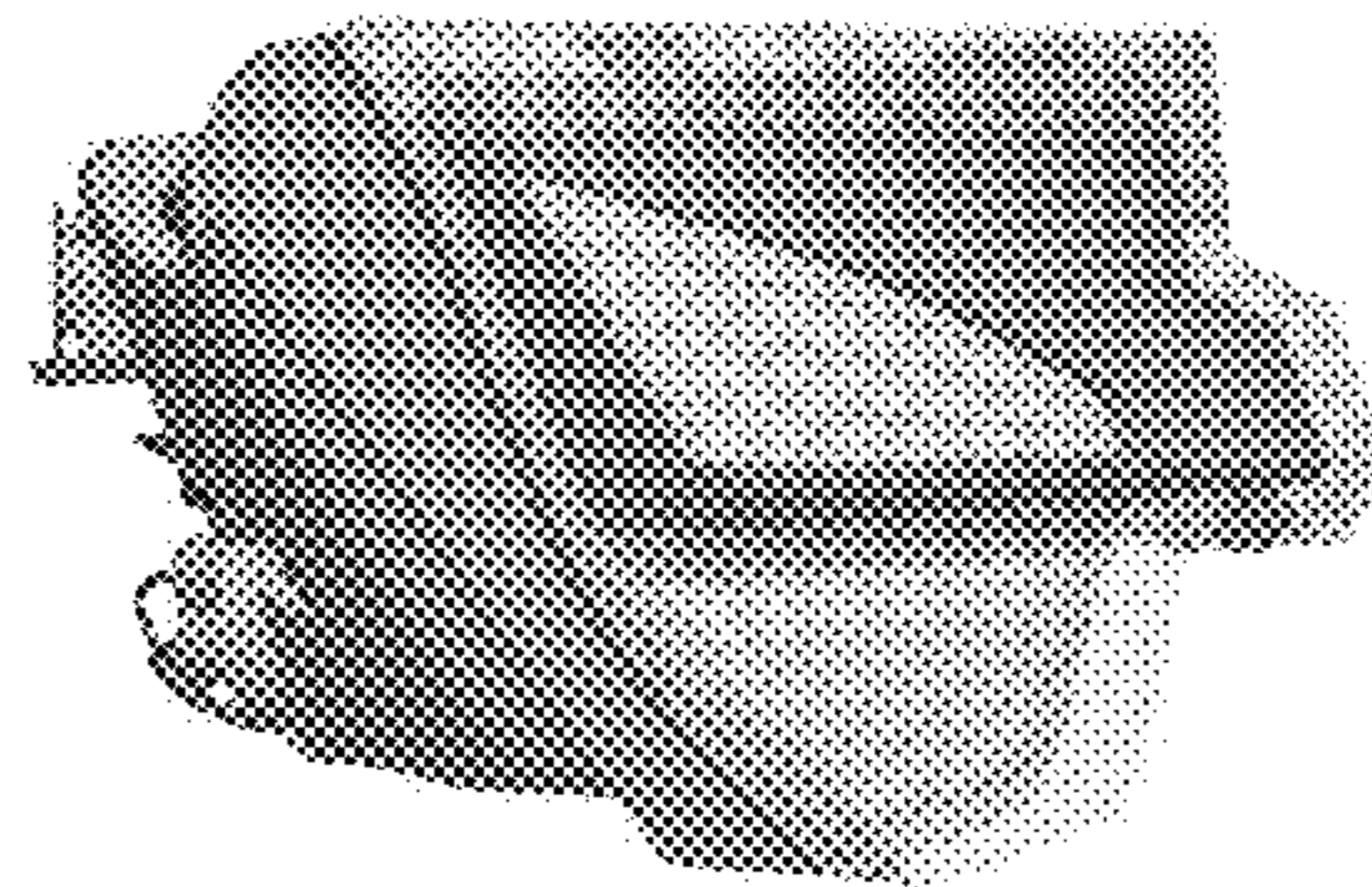
1.2



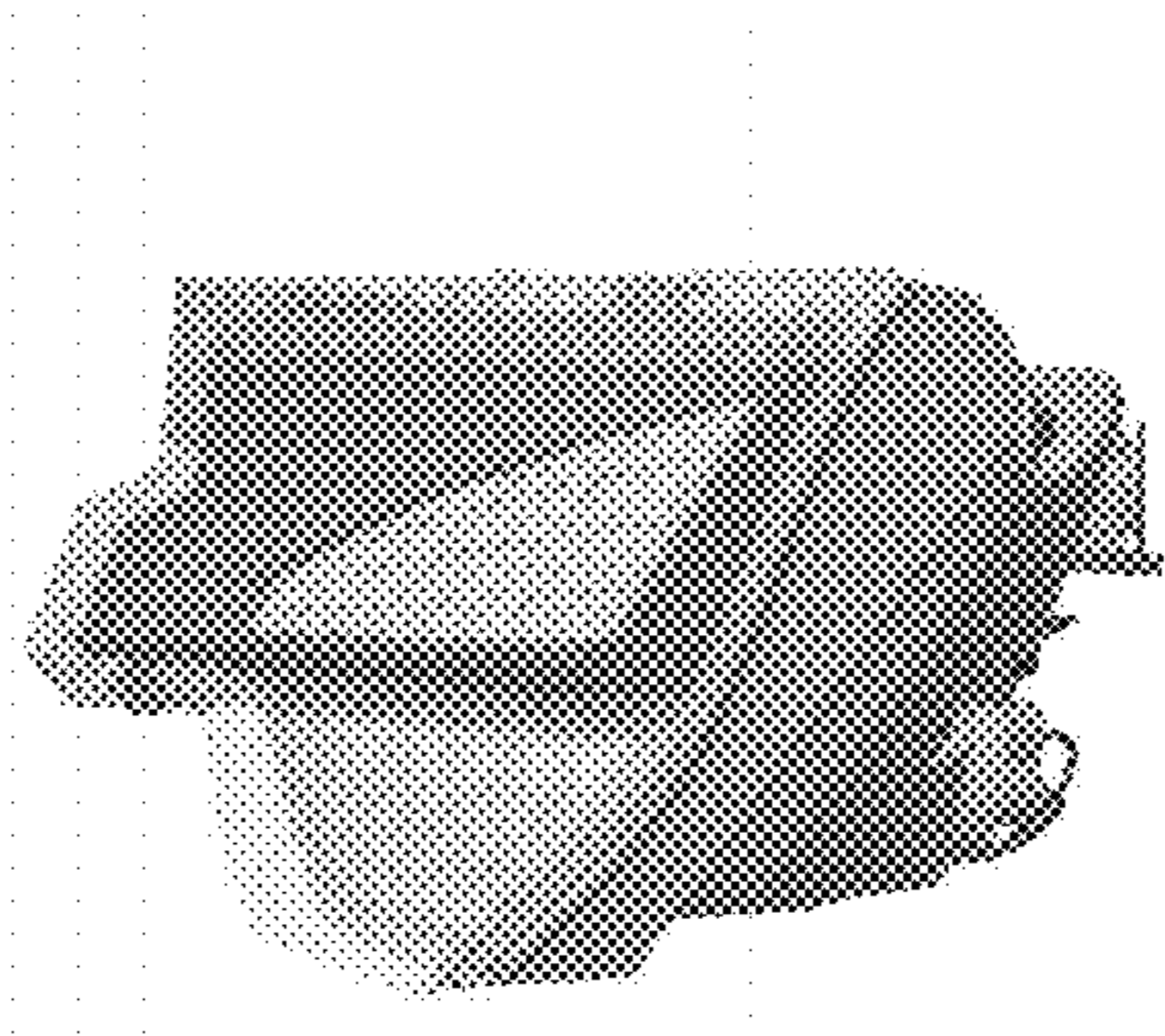
1.3



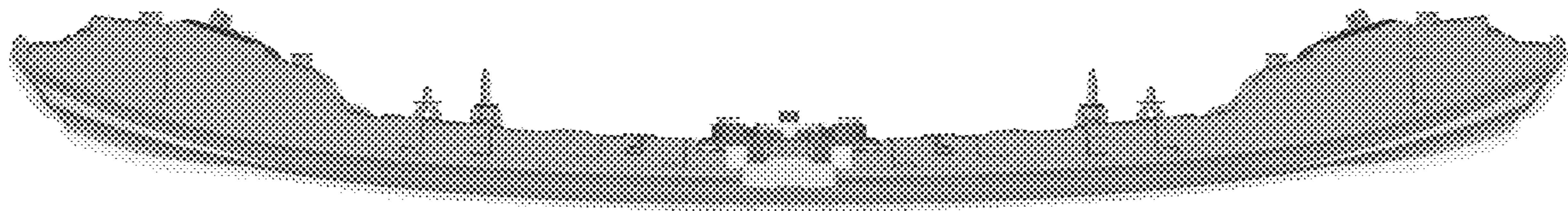
1.4



1.5



1.6



1.7

