



US00D952913S

(12) **United States Design Patent**  
**Wu**

(10) **Patent No.:** **US D952,913 S**

(45) **Date of Patent:** **\*\* May 24, 2022**

(54) **VEHICLE LIGHT**

(71) Applicant: **COPLUS INC.**, Tainan (TW)

(72) Inventor: **Po-Hua Wu**, Tainan (TW)

(73) Assignee: **COPLUS INC.**, Tainan (TW)

(\*\*) Term: **15 Years**

(21) Appl. No.: **29/741,887**

(22) Filed: **Jul. 16, 2020**

(30) **Foreign Application Priority Data**

May 20, 2020 (TW) ..... 109302678

(51) **LOC (13) Cl.** ..... **26-06**

(52) **U.S. Cl.**  
USPC ..... **D26/28**

(58) **Field of Classification Search**

USPC ..... D26/28, 29, 30, 31, 32, 33, 34, 35, 36  
CPC .. F21S 41/33; F21S 41/60; F21S 41/00; F21S  
43/00; F21S 41/141; F21S 41/162; F21S  
41/18; F21S 41/20; F21S 41/36; F21F  
21/04; F21W 2103/40; F21W 2103/35;  
F21W 2107/17; F21W 2107/13

See application file for complete search history.

(56) **References Cited**

**U.S. PATENT DOCUMENTS**

D890,382 S \* 7/2020 Wu ..... D26/28  
D891,649 S \* 7/2020 Metros ..... D26/28

D899,641 S \* 10/2020 He ..... D26/28  
D919,843 S \* 5/2021 Lin ..... D26/28  
D927,741 S \* 8/2021 Lin ..... D26/28  
D932,069 S \* 9/2021 Wu ..... D26/28  
D932,070 S \* 9/2021 Lin ..... D26/28  
D933,270 S \* 10/2021 Wu ..... D26/28  
D936,871 S \* 11/2021 Wu ..... D26/28  
D937,454 S \* 11/2021 Wu ..... D26/28  
D938,079 S \* 12/2021 Lin ..... D26/28  
D938,633 S \* 12/2021 Yang ..... D26/28

\* cited by examiner

*Primary Examiner* — Marissa J Cash

*Assistant Examiner* — Nishaad Sebastian Lorengo

(74) *Attorney, Agent, or Firm* — Lewis Roca Rothgerber  
Christie LLP

(57) **CLAIM**

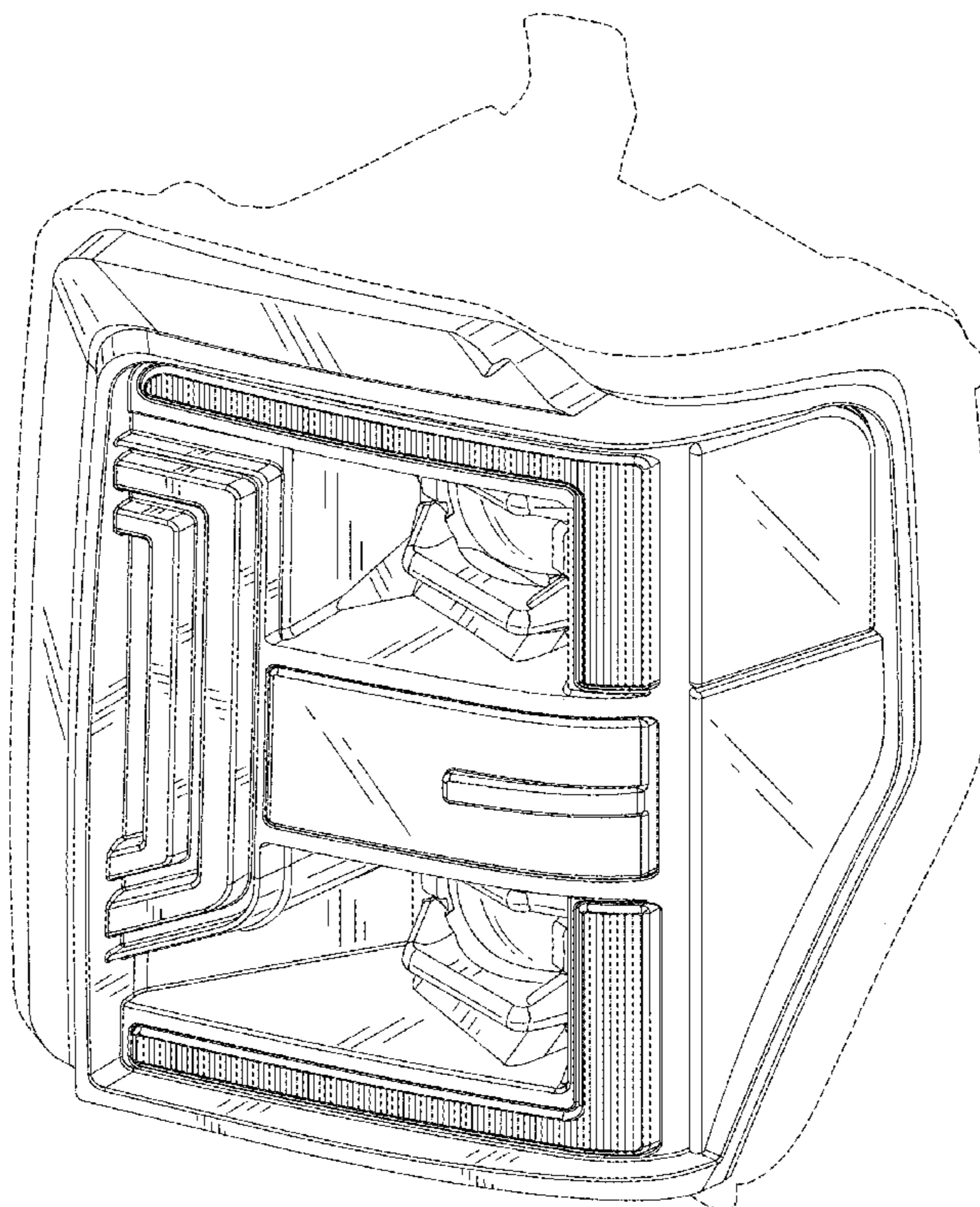
The ornamental design for a vehicle light, as shown and described.

**DESCRIPTION**

FIG. 1 is a perspective view of the vehicle light;  
FIG. 2 is a front view thereof;  
FIG. 3 is a rear view thereof;  
FIG. 4 is a left side view thereof;  
FIG. 5 is a right side view thereof;  
FIG. 6 is a top view thereof; and,  
FIG. 7 is a bottom view thereof.

The broken lines in the drawings depict portions of the article that form no part of the claimed design.

**1 Claim, 7 Drawing Sheets**



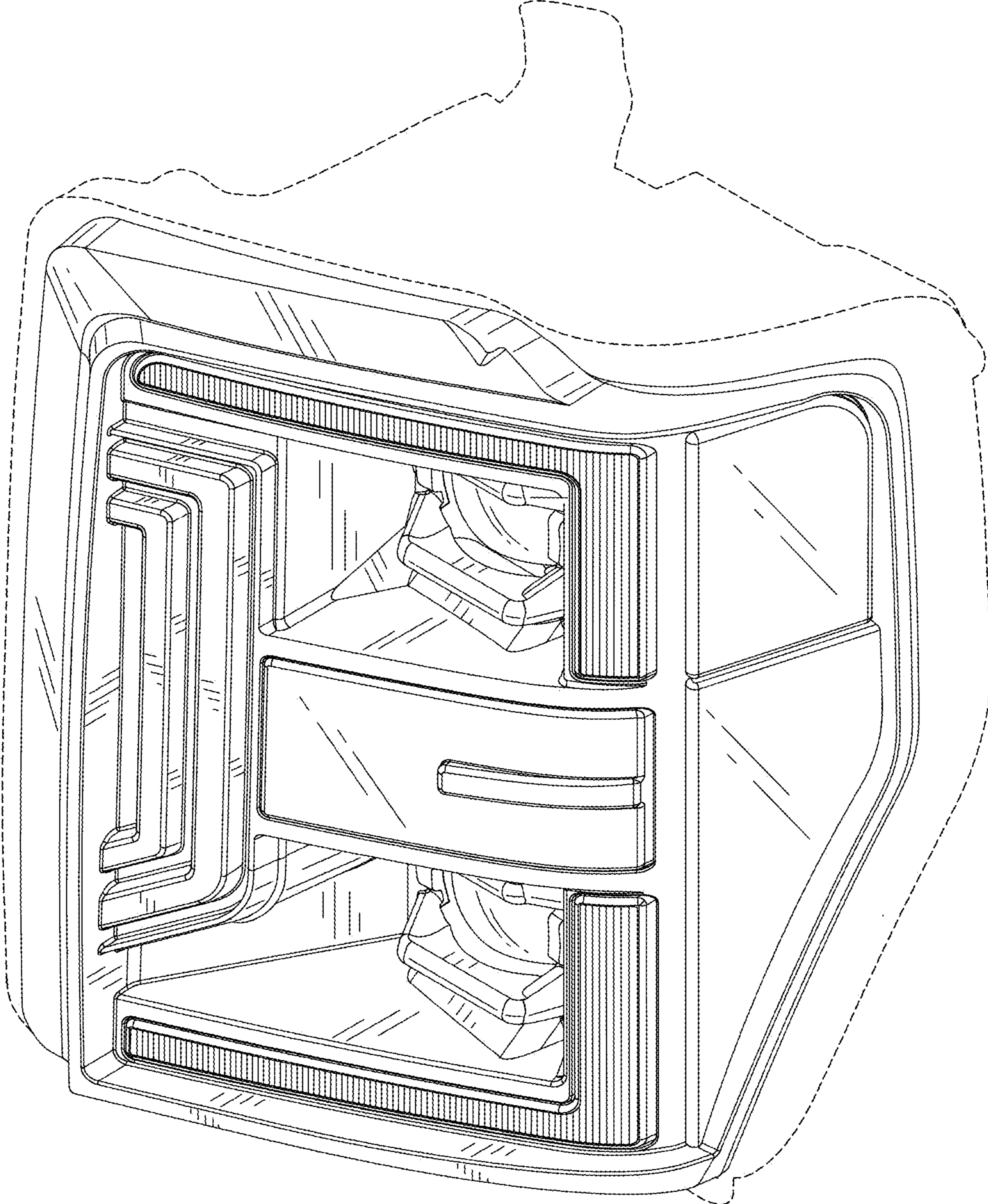


FIG. 1

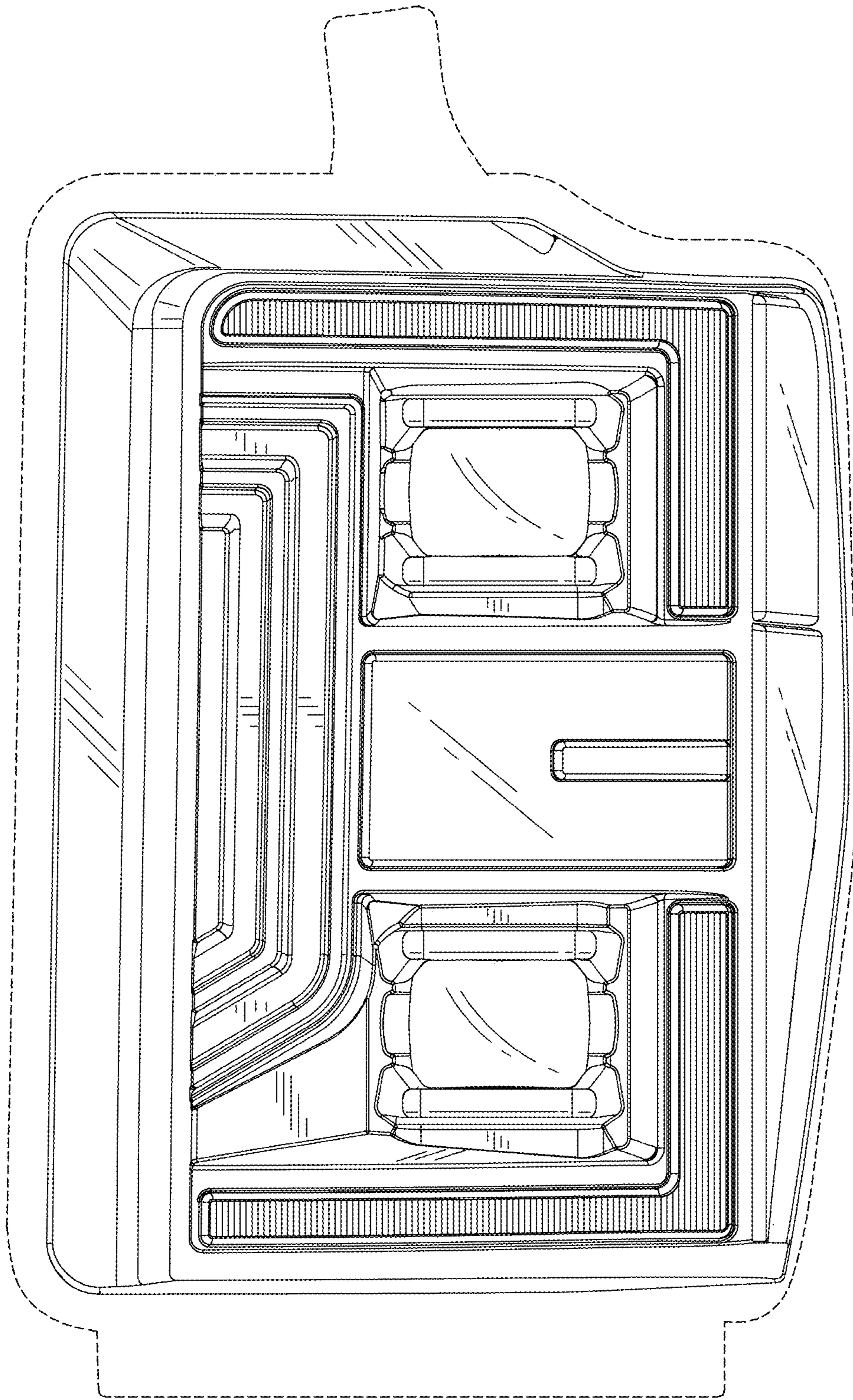


FIG. 2

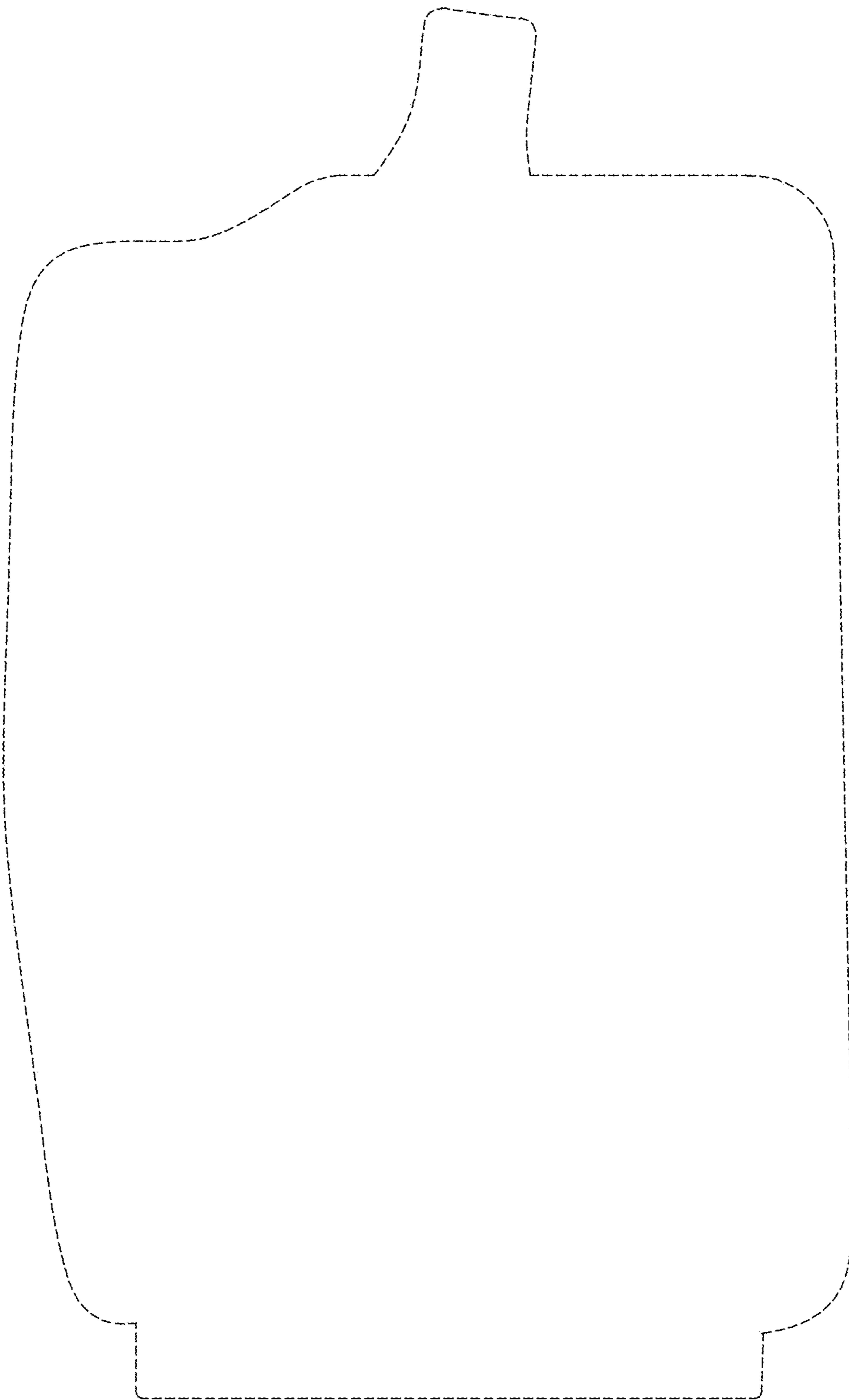


FIG. 3

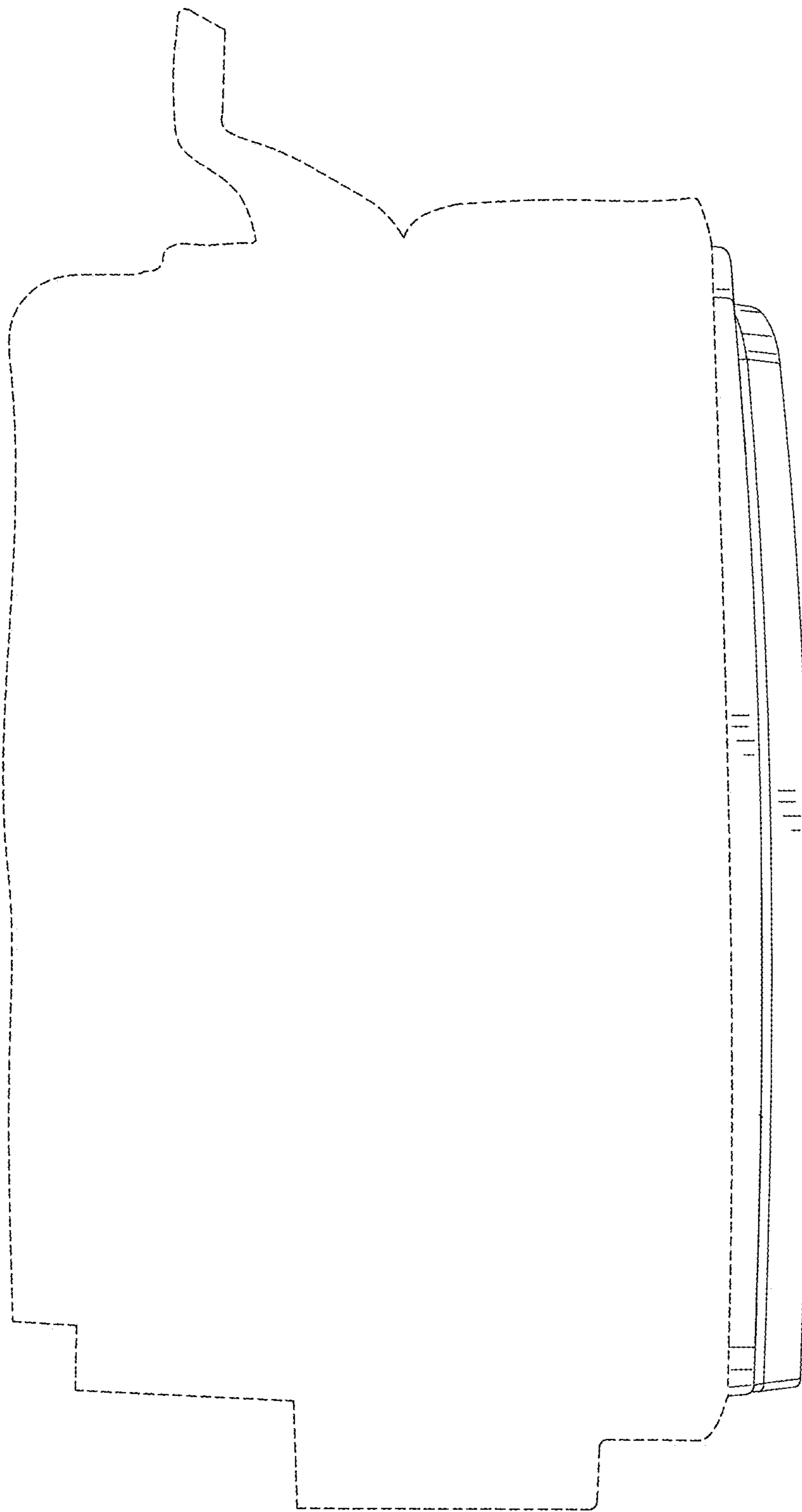


FIG. 4

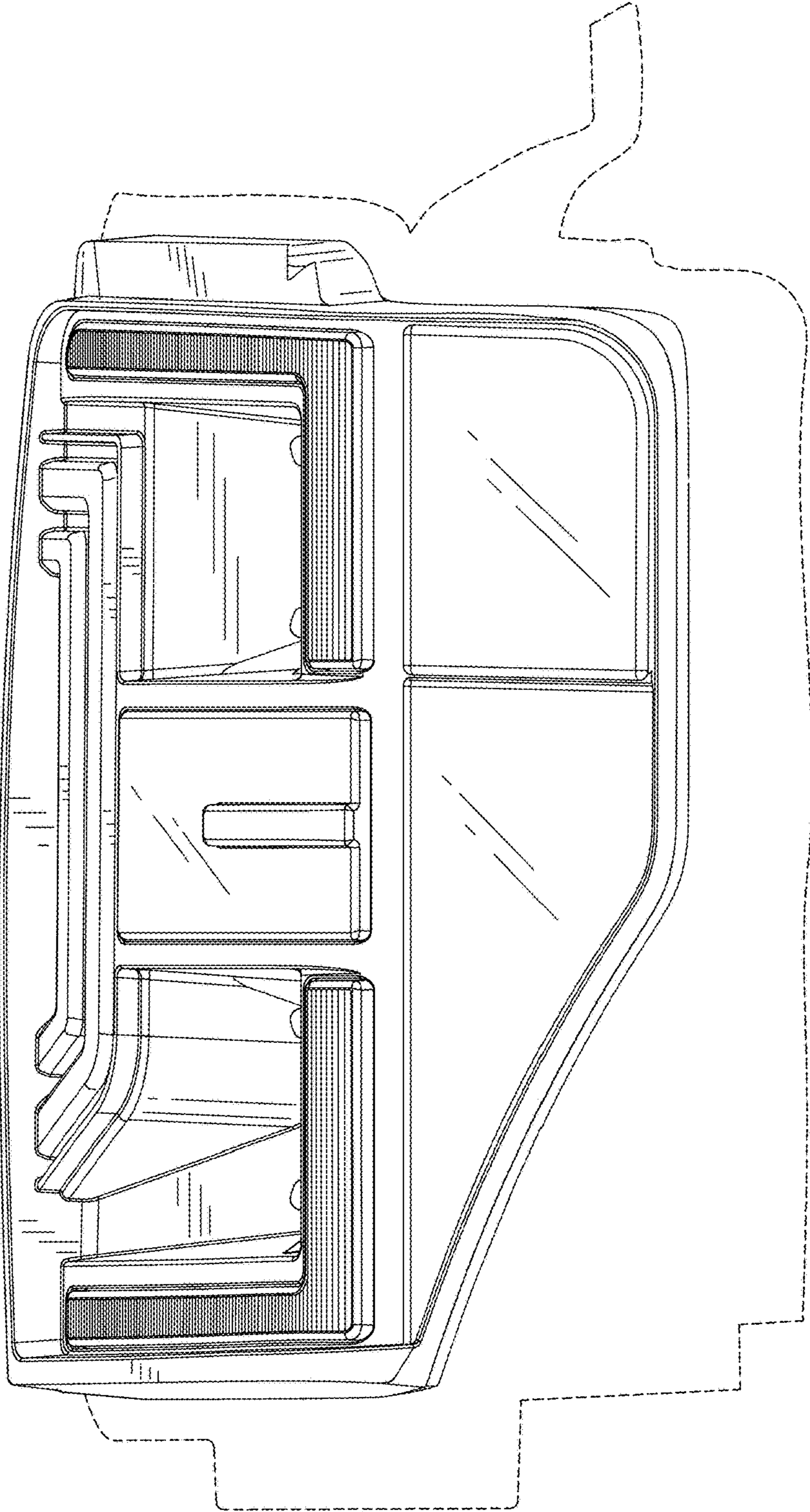


FIG. 5

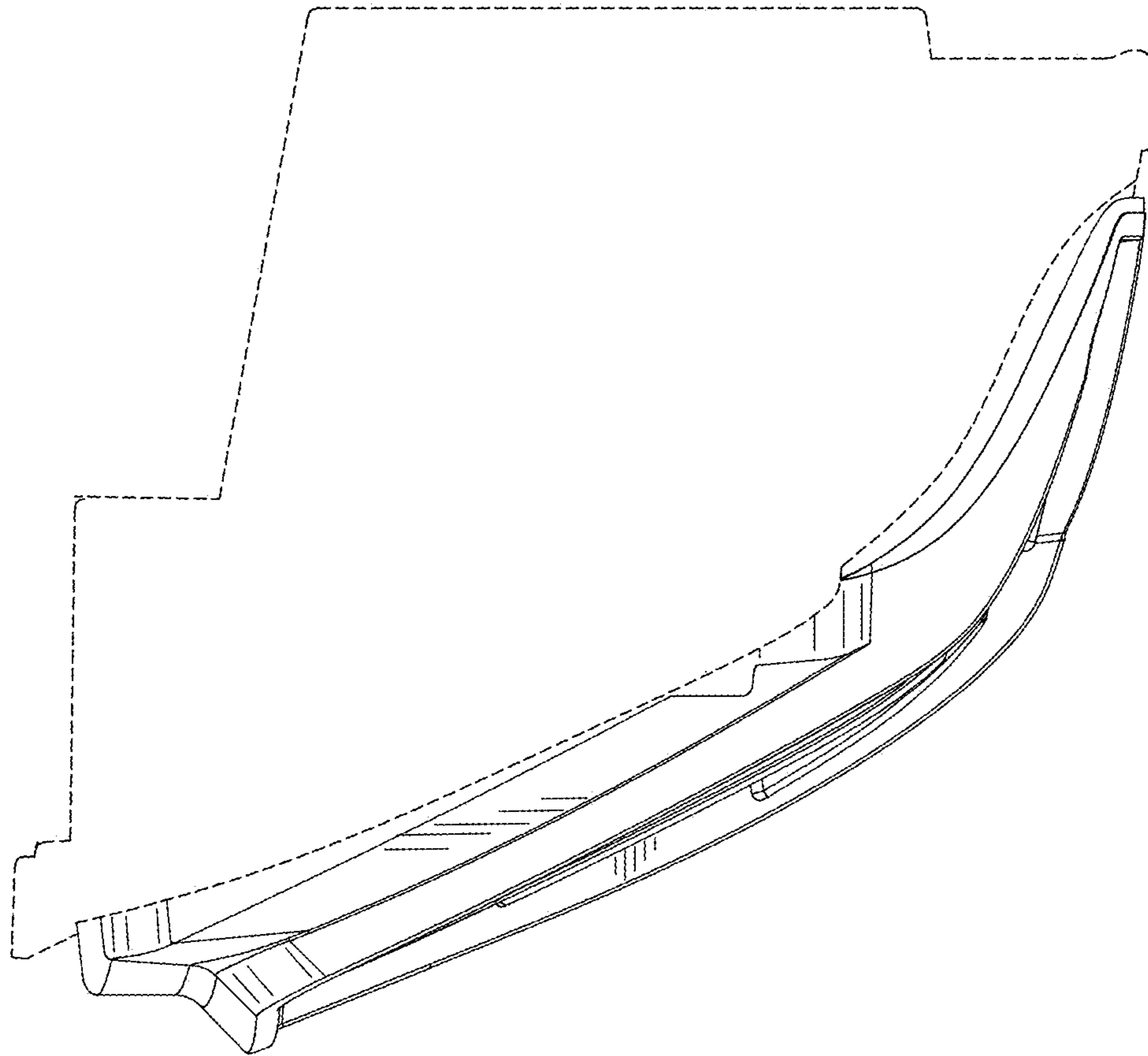


FIG. 6

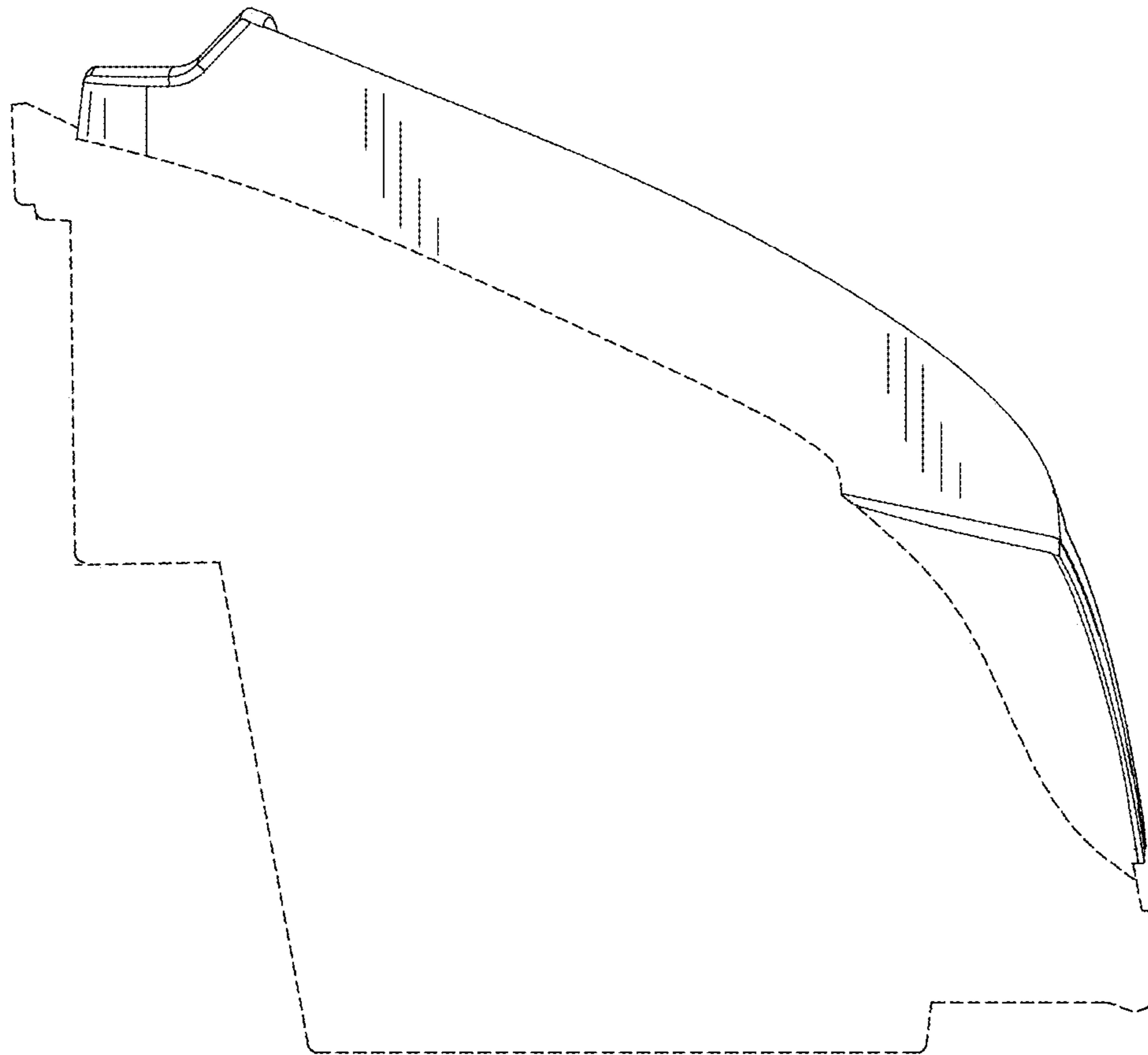


FIG. 7