



US00D952910S

(12) **United States Design Patent** (10) **Patent No.:** **US D952,910 S**
Li (45) **Date of Patent:** **** May 24, 2022**

(54) **SOLAR LIGHT**
(71) Applicant: **Meiyan Li**, Quanzhou (CN)
(72) Inventor: **Meiyan Li**, Quanzhou (CN)
(**) Term: **15 Years**
(21) Appl. No.: **29/766,953**
(22) Filed: **Jan. 19, 2021**
(51) **LOC (13) Cl.** **26-04**
(52) **U.S. Cl.**
USPC **D26/25; D26/72; D26/88**
(58) **Field of Classification Search**
USPC D26/24, 25, 35, 69, 72, 76, 80, 81, 83,
D26/88, 90, 91, 144, 148, 149, 154
CPC F21S 8/00; F21S 8/04; F21S 8/06; F21S
8/033; F21S 8/036; F21S 8/061; F21S
8/068; F21S 4/00; F21S 4/20; F21S 4/28;
F21S 9/037; F21V 21/00; F21V 21/10;
F21V 21/16; F21V 21/005; F21V 21/008;
F21V 21/0832
See application file for complete search history.

(56) **References Cited**
U.S. PATENT DOCUMENTS
D329,919 S * 9/1992 Jahn D26/77
D336,352 S * 6/1993 Dieperink D26/85
D360,701 S * 7/1995 Glasstetter D11/121
D558,379 S * 12/2007 Citterio D26/77
D637,338 S * 5/2011 Kong D26/88
D642,725 S * 8/2011 Kong D26/80
D664,282 S * 7/2012 Santoro D26/90
D693,045 S * 11/2013 Kirschhoffer D26/88
D695,943 S * 12/2013 Duquette D26/87
D818,626 S * 5/2018 Park D26/76
D871,621 S 12/2019 Jia
D875,973 S 2/2020 Zhou

D885,634 S * 5/2020 Bhavanbhai Patel D26/76
D921,936 S * 6/2021 Zhou D26/25
D925,783 S * 7/2021 Xiao D26/25
D937,449 S * 11/2021 Quan D26/25
D938,627 S * 12/2021 Li D26/25
2005/0083701 A1* 4/2005 Rugee F21S 8/04
362/382
2006/0098444 A1* 5/2006 Petruzzi F21S 8/06
362/404
2021/0274722 A1* 9/2021 Tracy F21V 21/008
2022/0026624 A1* 1/2022 Parker G02B 6/0018

* cited by examiner

Primary Examiner — Wan Laymon
Assistant Examiner — Clint A Samuel

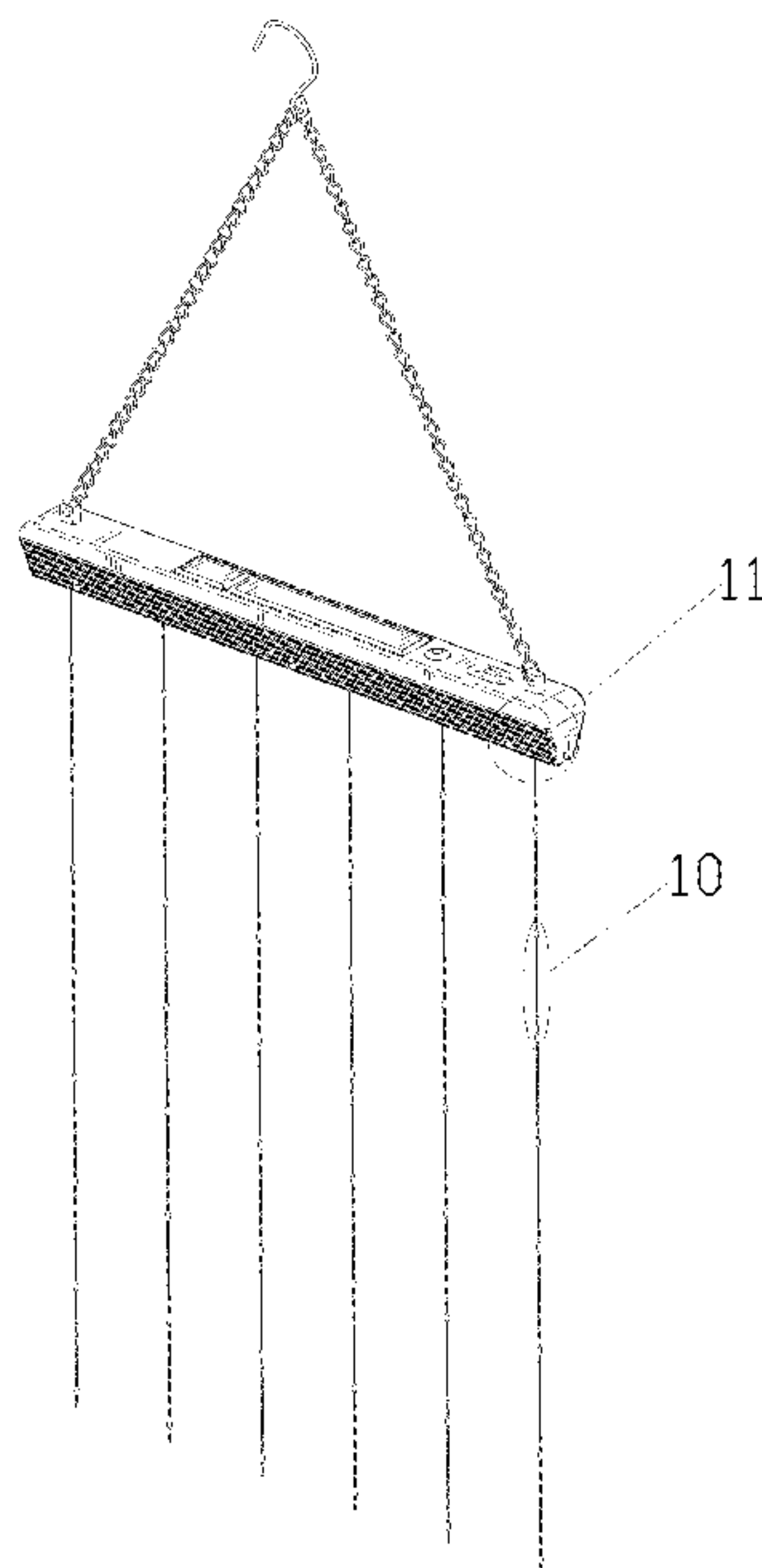
(57) **CLAIM**

The ornamental design for a solar light, as shown and described.

DESCRIPTION

FIG. 1 is a perspective view of a solar light showing my new design;
FIG. 2 is another perspective view thereof;
FIG. 3 is a front elevational view thereof;
FIG. 4 is a rear elevational view thereof;
FIG. 5 is a left side elevational view thereof;
FIG. 6 is a right side elevational view thereof;
FIG. 7 is a top plan view thereof;
FIG. 8 is a bottom plan view thereof;
FIG. 9 is a perspective view of the solar light where the solar light is in a configuration of use;
FIG. 10 is an enlarged view of portion 10 shown in FIG. 1; and,
FIG. 11 is an enlarged view of portion 11 shown in FIG. 1. The broken lines in the drawings depict portions of the solar light that form no part of the claimed design.

1 Claim, 11 Drawing Sheets



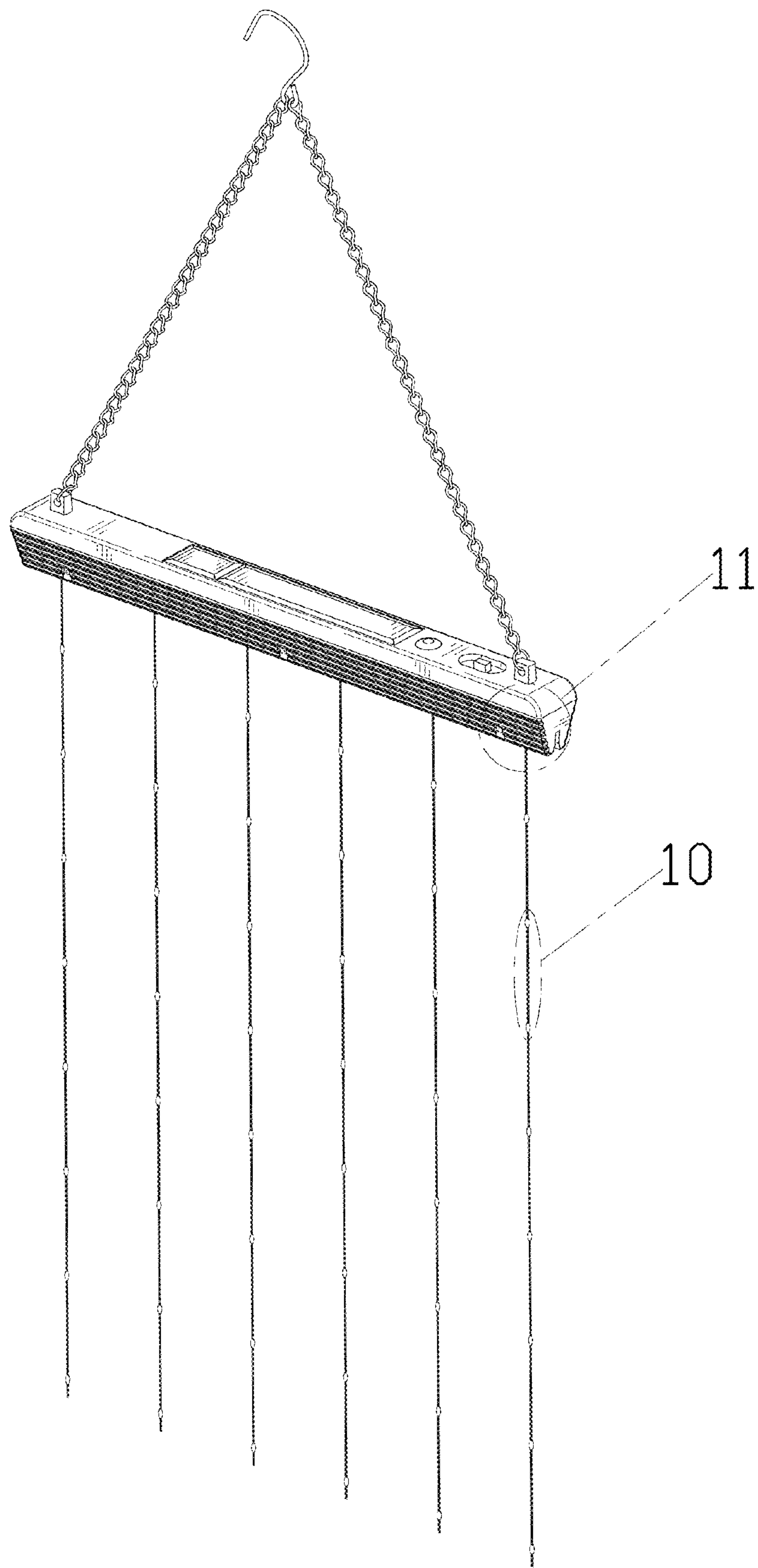


FIG. 1

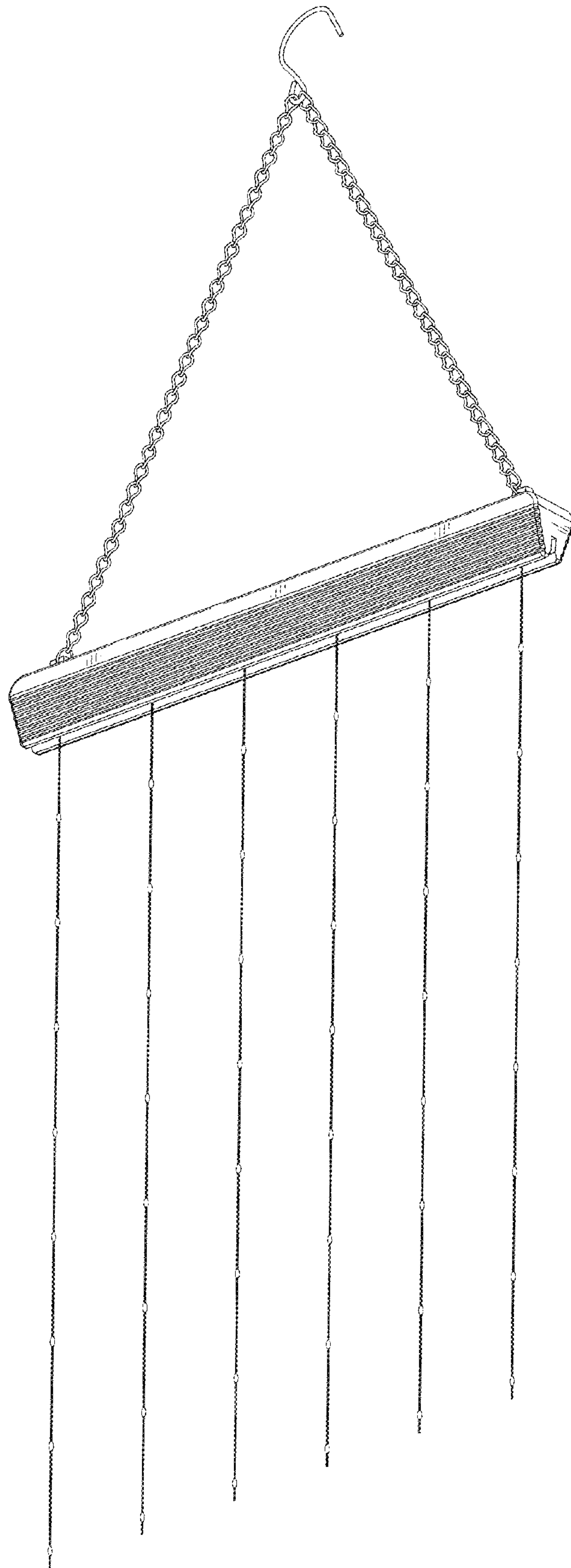


FIG. 2

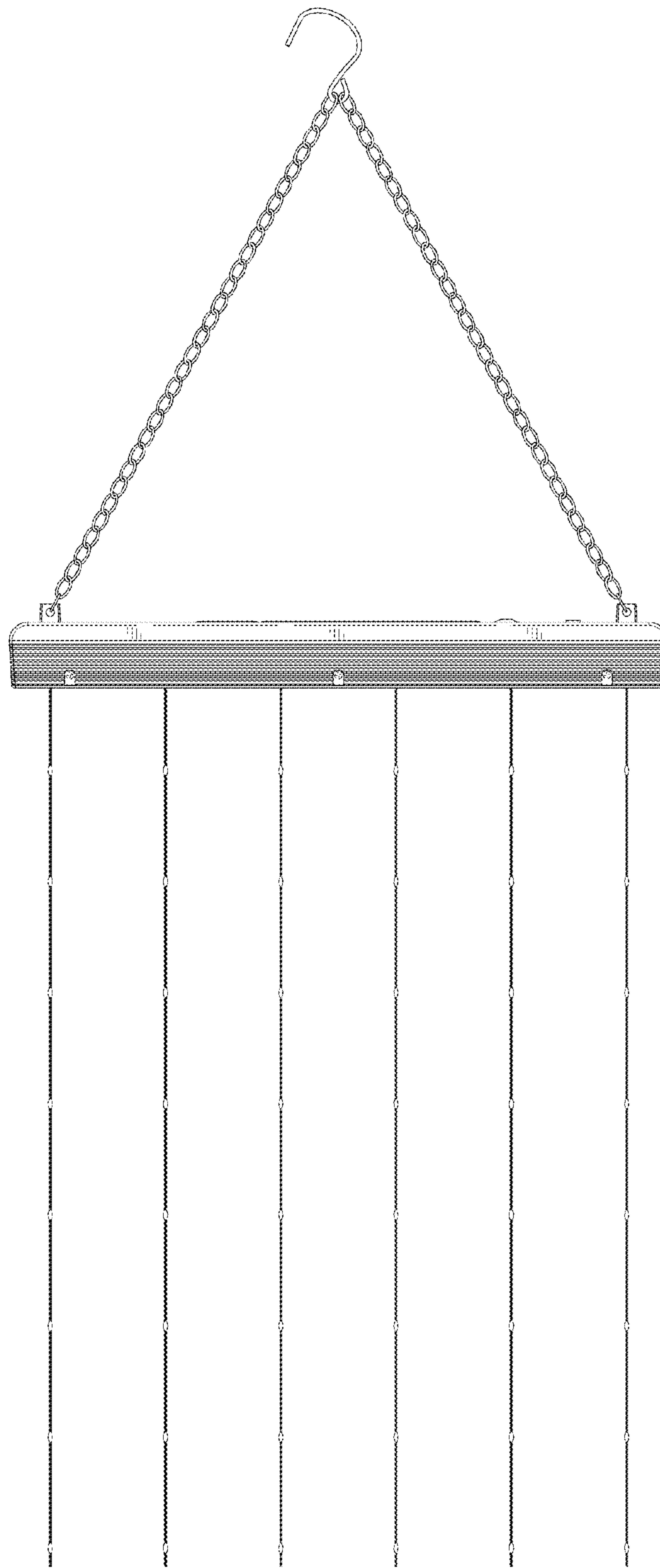


FIG. 3

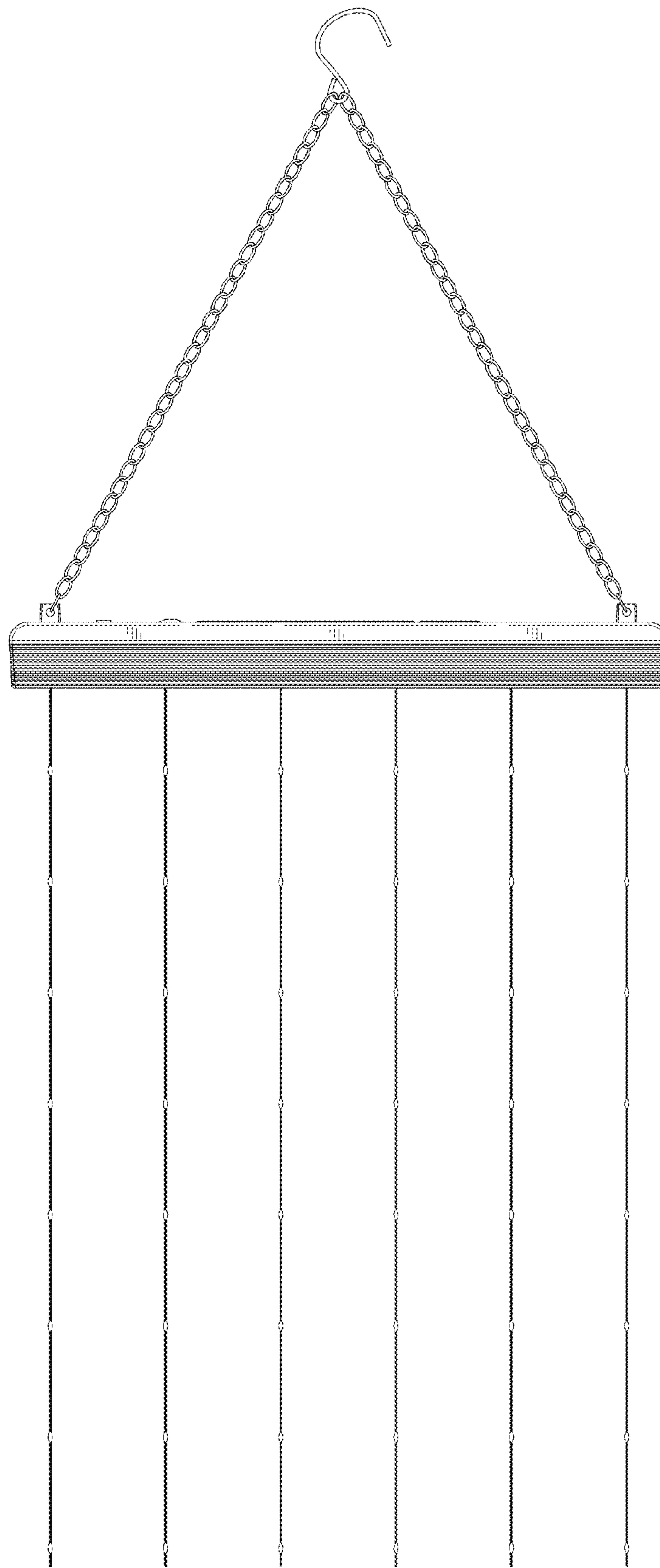


FIG. 4

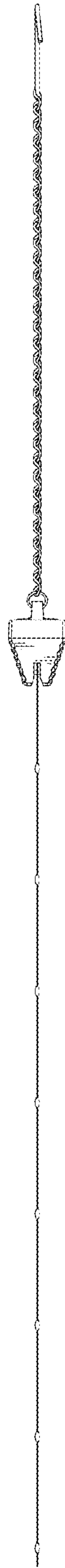


FIG. 5

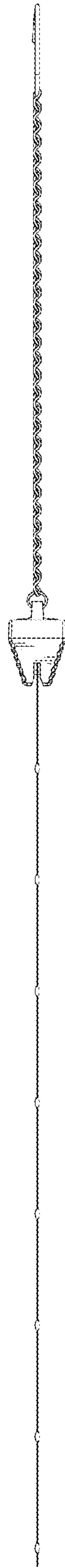


FIG. 6



FIG. 7

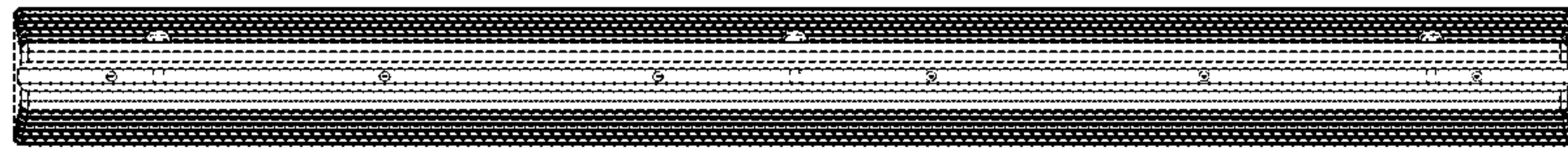


FIG. 8

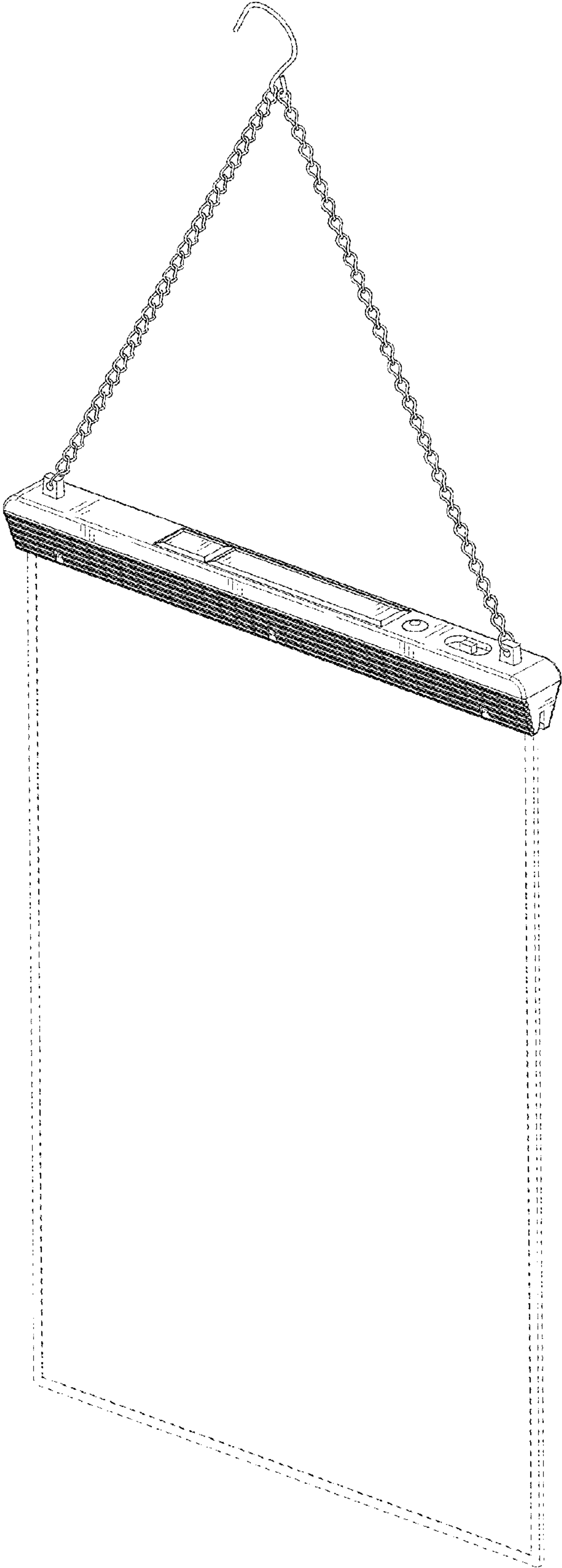


FIG. 9

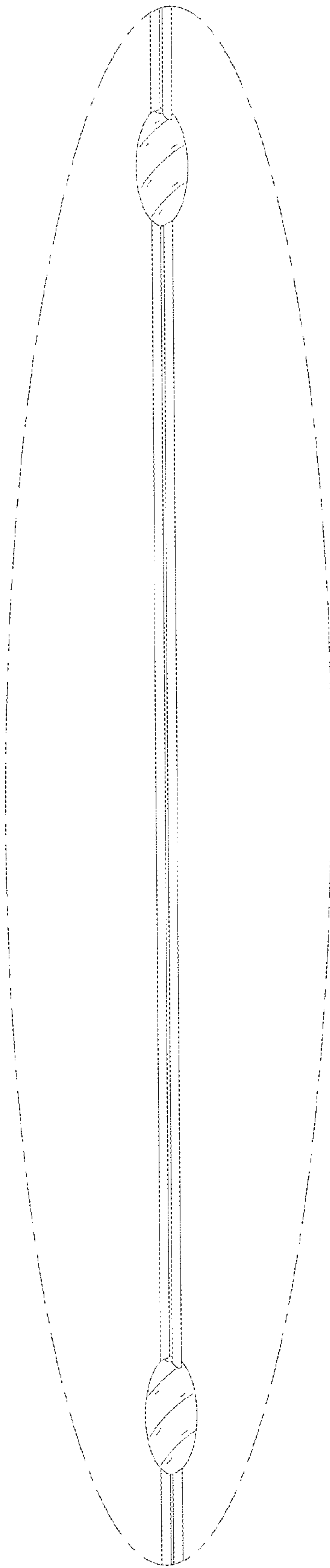


FIG. 10

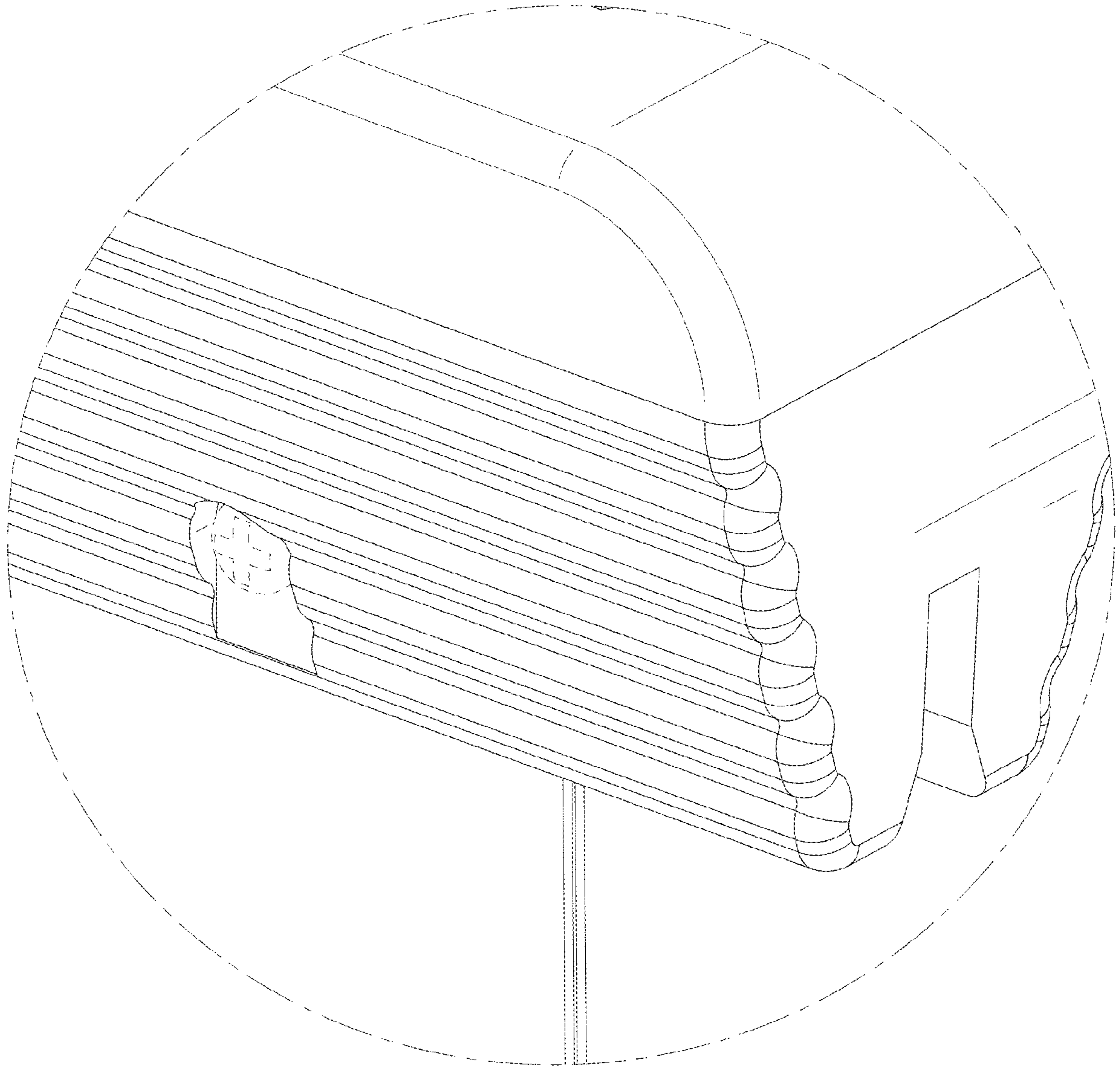


FIG. 11