



US00D952908S

(12) **United States Design Patent**  
**Charpentier**

(10) **Patent No.:** **US D952,908 S**

(45) **Date of Patent:** **\*\* May 24, 2022**

(54) **HEAVY EQUIPMENT PLANK**

(71) Applicant: **Edward William Charpentier,**  
Baudette, MN (US)

(72) Inventor: **Edward William Charpentier,**  
Baudette, MN (US)

(\*\*) Term: **15 Years**

(21) Appl. No.: **29/757,237**

(22) Filed: **Nov. 4, 2020**

(51) **LOC (13) Cl.** ..... **25-01**

(52) **U.S. Cl.**  
USPC ..... **D25/138**

(58) **Field of Classification Search**  
USPC ..... D25/138; D34/38; D15/141  
CPC . E01C 9/10; E01C 9/083; E01C 9/008; E01C  
9/04; E01C 5/00; E01C 5/16  
See application file for complete search history.

(56) **References Cited**

**U.S. PATENT DOCUMENTS**

- 3,955,761 A \* 5/1976 Szarka ..... E01C 9/04  
238/2
- 4,488,833 A \* 12/1984 Perry ..... E01D 15/22  
14/27

- D465,857 S \* 11/2002 Ardern ..... D25/138
- 6,695,527 B2 2/2004 Seaux
- D634,862 S \* 3/2011 Karamete ..... D25/138
- 7,934,885 B2 5/2011 Fournier
- D654,599 S \* 2/2012 Cupec ..... D25/138
- D700,368 S \* 2/2014 Shen ..... D25/138
- D706,014 S \* 5/2014 Ksiezakowski ..... D34/38

\* cited by examiner

*Primary Examiner* — Doris Clark

(74) *Attorney, Agent, or Firm* — Ross Brandborg

(57) **CLAIM**

I claim the ornamental design for a heavy equipment plank,  
as shown and described.

**DESCRIPTION**

FIG. 1 shows a perspective side view of the invention;  
 FIG. 2 shows a straight side view thereof;  
 FIG. 3 shows a top view thereof;  
 FIG. 4 shows the straight front view thereof; and,  
 FIG. 5 shows close up corner view thereof.  
 The unit is symmetric, the front and back are the same along  
 with the right and left sides and top and bottom.  
 The broken lines in FIG. 5 represents a cut out close up and  
 forms no part of the claimed design.

**1 Claim, 5 Drawing Sheets**

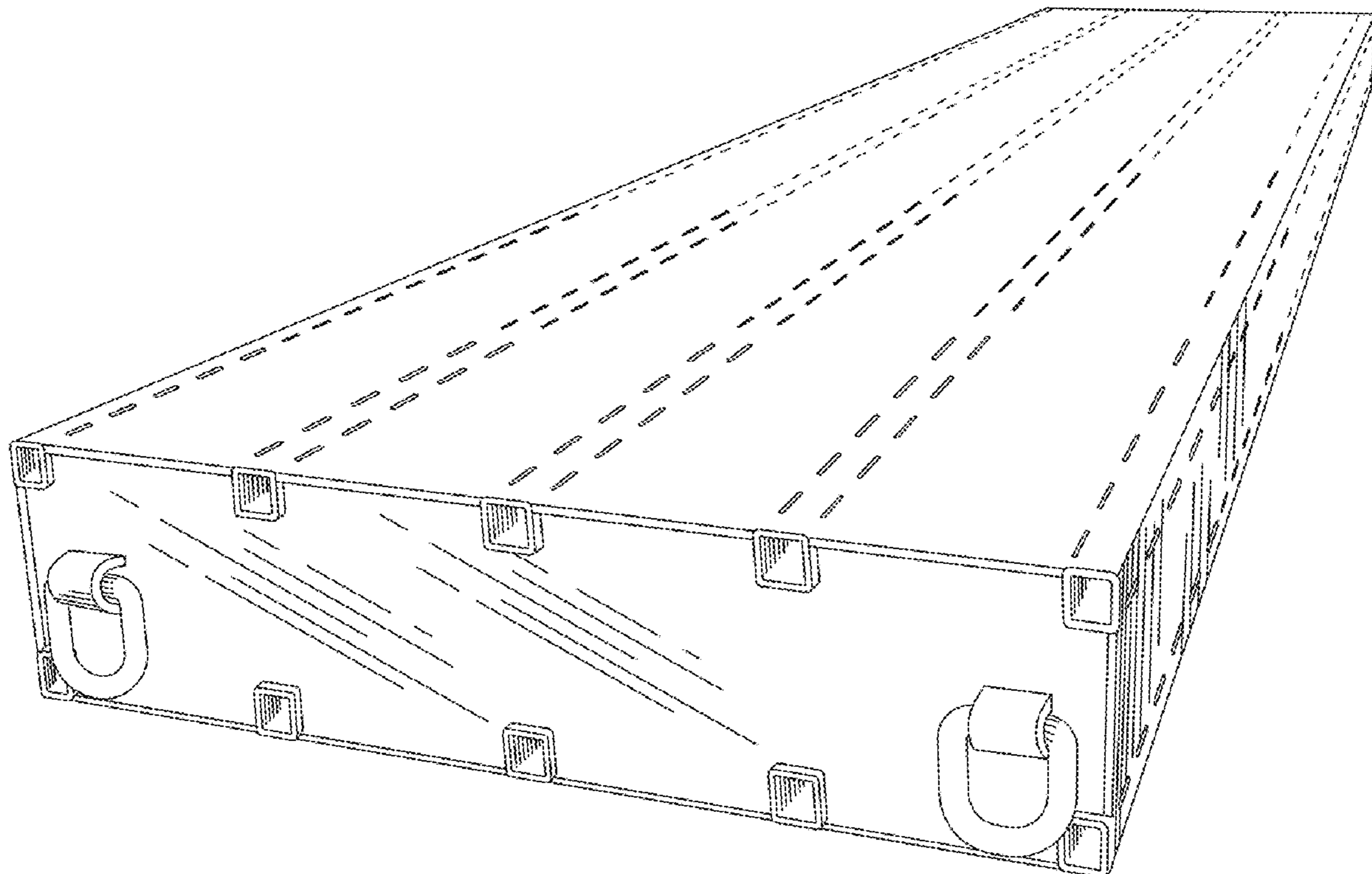


Fig.1

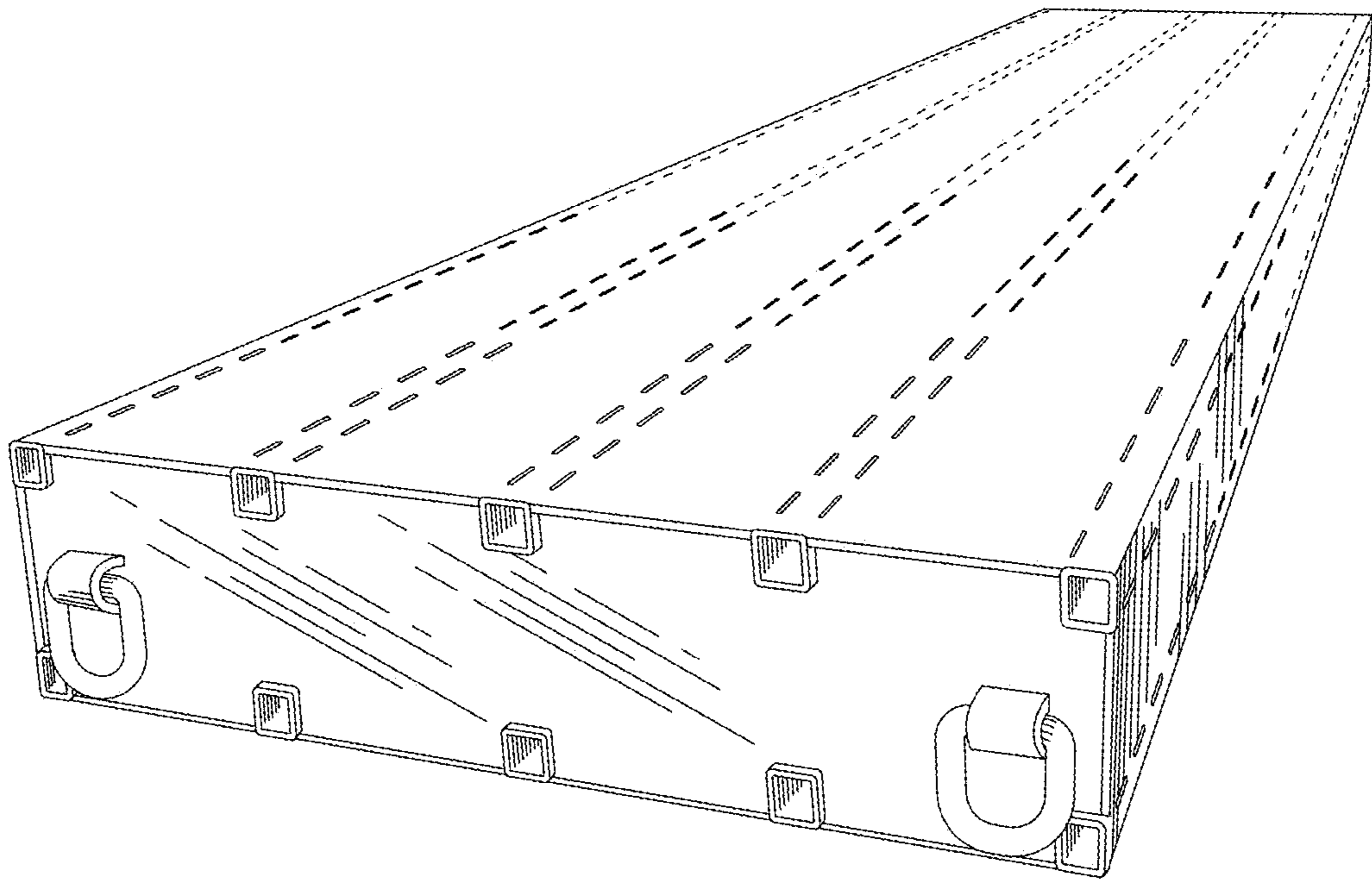


Fig.2

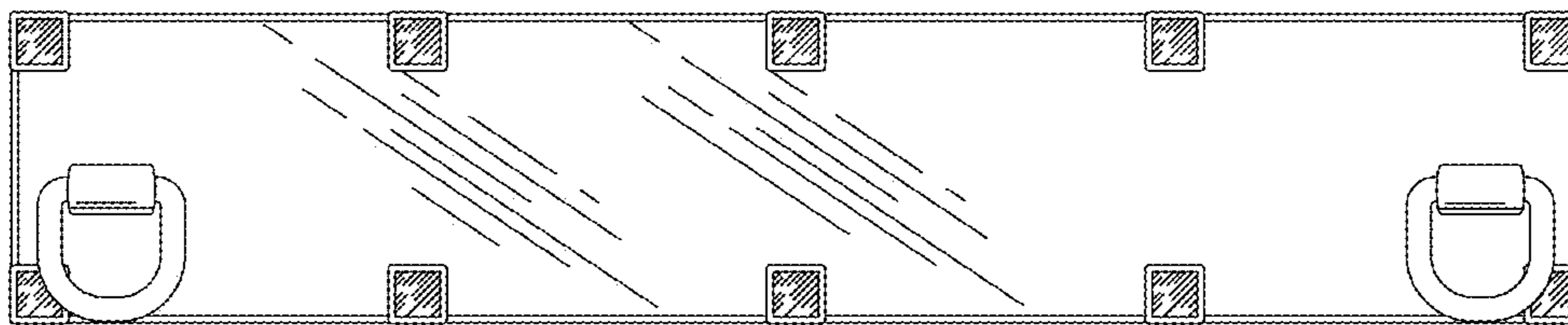


Fig.3

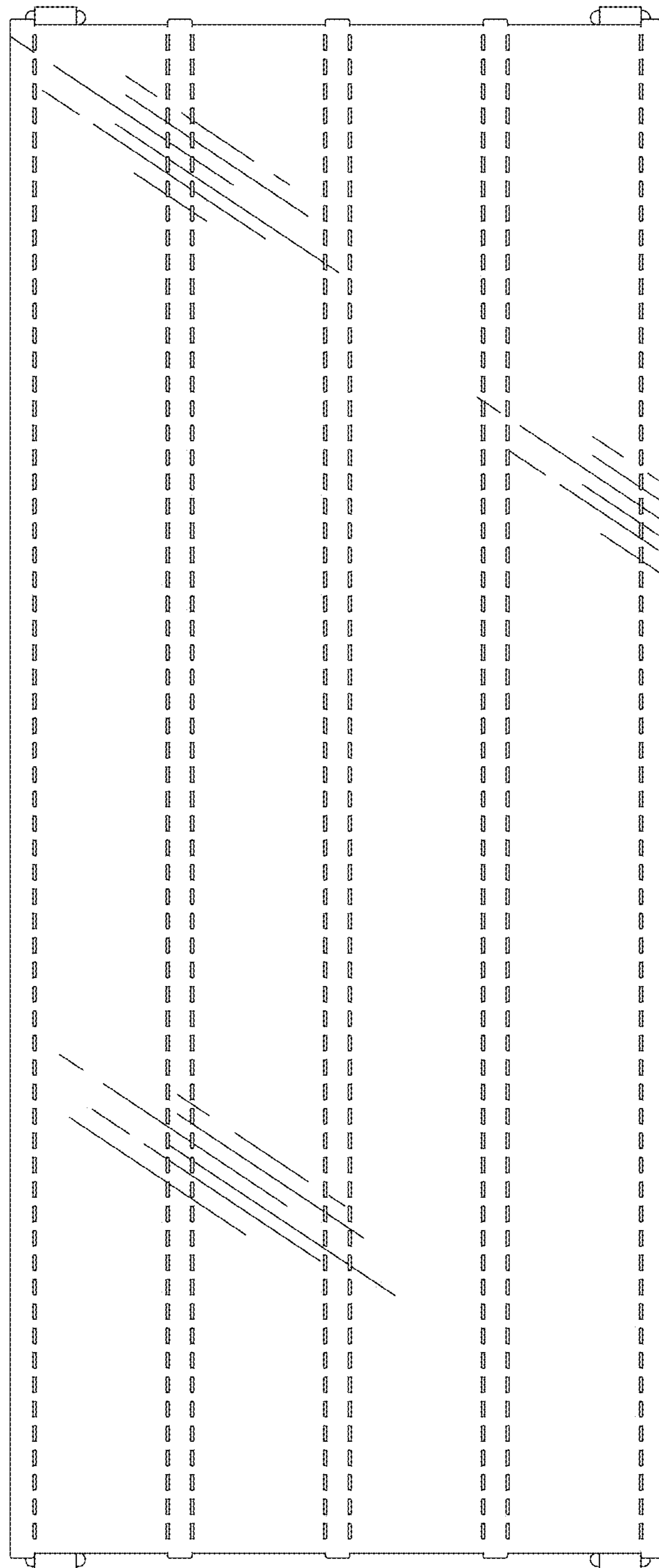


Fig.4

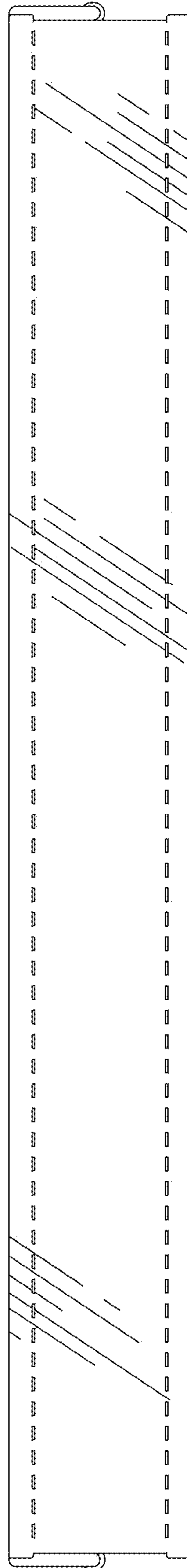
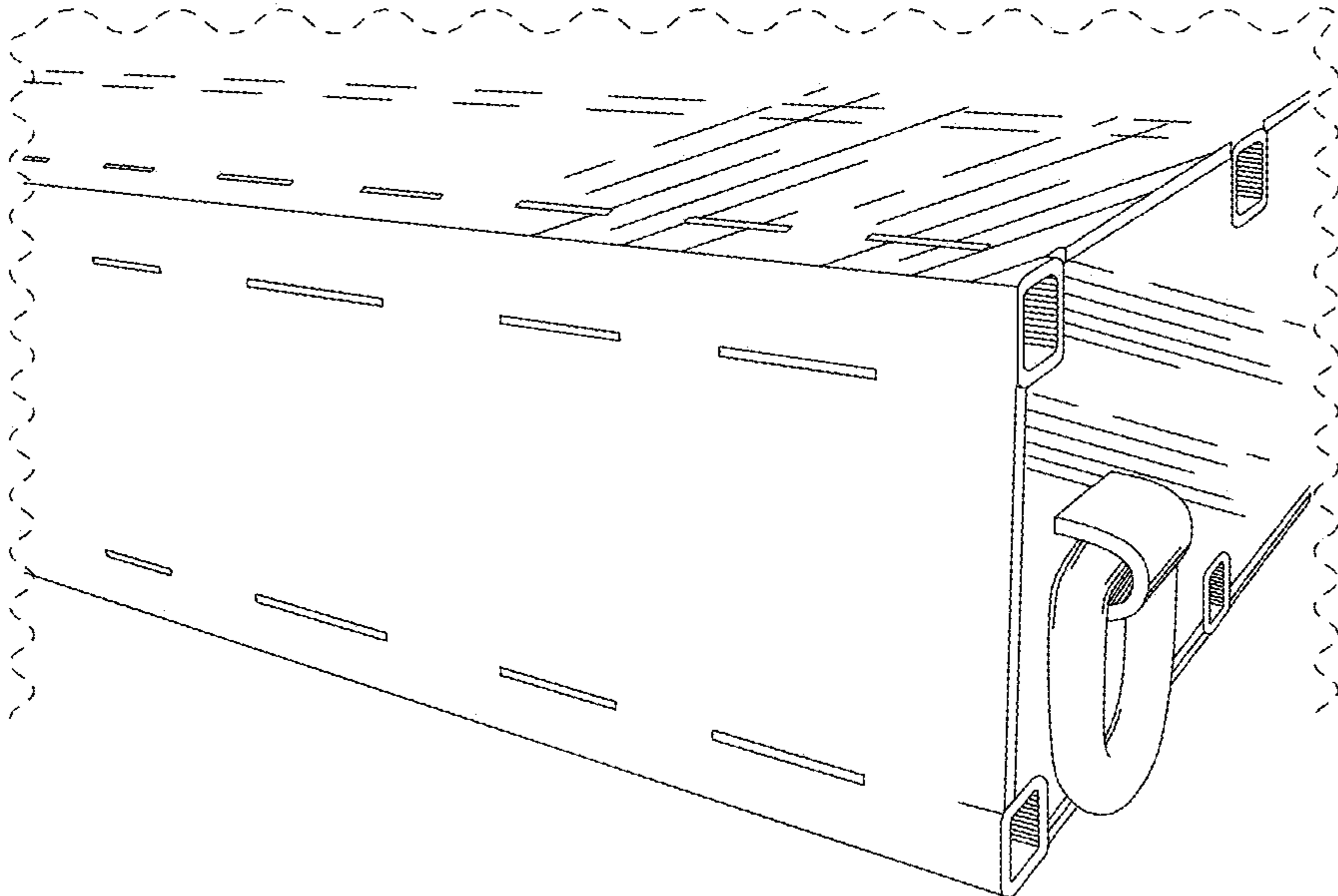


Fig.5



UNITED STATES PATENT AND TRADEMARK OFFICE  
**CERTIFICATE OF CORRECTION**

PATENT NO. : D952,908 S  
APPLICATION NO. : 29/757237  
DATED : May 24, 2022  
INVENTOR(S) : Edward William Charpentier, Mark Thomas Karl and Chad Michael Bakke

Page 1 of 1

It is certified that error appears in the above-identified patent and that said Letters Patent is hereby corrected as shown below:


On the Title Page

Please add et al. to (12)

Please add the below inventors to (72):

Mark Thomas Karl  
30160 330th Ave  
Roseau, MN 36751

Chad Michael Bakke  
36007 310th St  
Roseau, MN 56751

Signed and Sealed this  
Third Day of October, 2023  
  
Katherine Kelly Vidal  
*Director of the United States Patent and Trademark Office*