



US00D952907S

(12) **United States Design Patent**
Stell

(10) **Patent No.:** **US D952,907 S**

(45) **Date of Patent:** **** May 24, 2022**

(54) **MASONRY BLOCK**

(71) Applicant: **Shoreline Stone Manufacturing
Carib, Inc.**, Largo, FL (US)

(72) Inventor: **Jason Stell**, Largo, FL (US)

(**) Term: **15 Years**

(21) Appl. No.: **29/754,325**

(22) Filed: **Oct. 9, 2020**

(51) **LOC (13) Cl.** **25-01**

(52) **U.S. Cl.**
USPC **D25/113**

(58) **Field of Classification Search**
USPC D21/484-504; D25/112-118
CPC . E02D 29/02; E02D 29/0225; E02D 29/0233;
E02D 29/025; E02D 29/0266; E02D
2300/002; E02D 2300/0084; E04C 1/00;
E04C 1/395; E04C 1/41; E04B 1/02;
E04B 1/04; E04B 1/41; E04B 2002/026;
E04B 2002/0269; B28B 11/0863; B28B
17/0027; E04F 13/0801; E04F 13/147;
E04F 13/24

See application file for complete search history.

(56) **References Cited**

U.S. PATENT DOCUMENTS

4,619,560	A	10/1986	Crinnion	
5,484,236	A	1/1996	Gravier	
5,816,749	A	10/1998	Bailey, II	
6,543,969	B1	4/2003	Adam	
6,854,220	B2	2/2005	Dueck et al.	
6,978,580	B1	12/2005	Clark et al.	
7,037,047	B1	5/2006	Tufts et al.	
7,096,634	B2	8/2006	Dean, Jr.	
7,244,079	B1	7/2007	Blomquist et al.	
7,384,215	B2	6/2008	Woolford	
D587,382	S *	2/2009	Wauhop	D25/113
7,712,281	B2	5/2010	Bott	
D645,575	S *	9/2011	Bone	D25/113

D663,858	S *	7/2012	MacDonald	D25/113
D671,657	S *	11/2012	MacDonald	D25/113
D685,502	S *	7/2013	MacDonald	D25/113
8,734,060	B1 *	5/2014	Wauhop	E02D 29/02 405/286
D708,765	S *	7/2014	MacDonald	D25/113
D711,014	S *	8/2014	MacDonald	D25/113
9,701,046	B2	7/2017	Karau	
10,156,077	B2 *	12/2018	MacDonald	E04F 13/24
D846,760	S *	4/2019	Lundell	D25/114
D866,004	S *	11/2019	Johnson	D25/113

(Continued)

FOREIGN PATENT DOCUMENTS

KR	300513040.0000	*	12/2008
KR	101961430		3/2019
KR	102173364		11/2020

Primary Examiner — Leanne Was-Englehart

(74) *Attorney, Agent, or Firm* — Larson & Larson, P.A.;
Frank Liebenow; Justin P. Miller

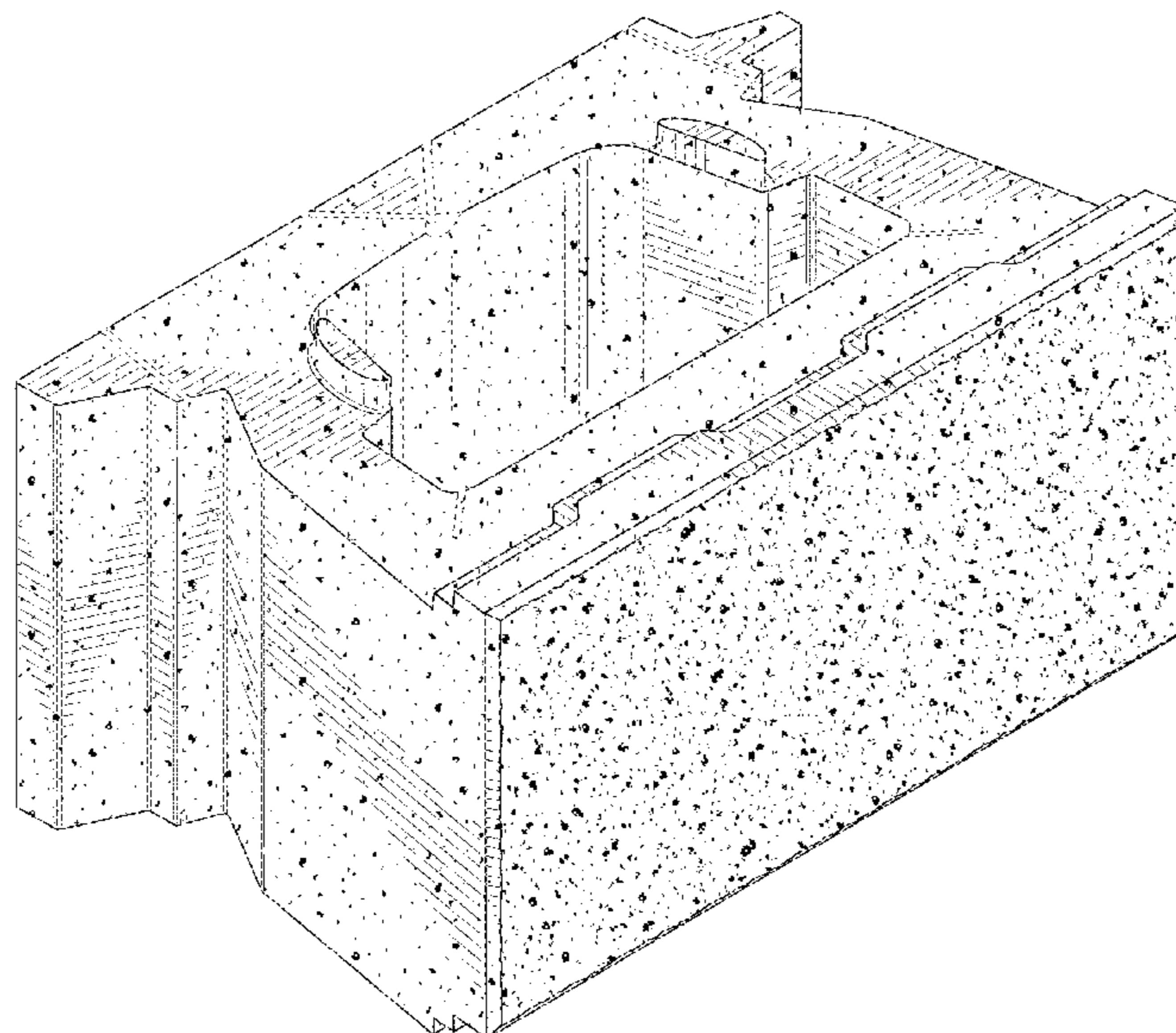
(57) **CLAIM**

The ornamental design for a masonry block, as shown and described.

DESCRIPTION

FIG. 1 is a perspective view of a masonry block showing my new design;
FIG. 2 is a top plan view thereof;
FIG. 3 is a bottom plan view thereof;
FIG. 4 is a front elevation view thereof;
FIG. 5 is a rear elevation view thereof;
FIG. 6 is a right-side elevational view thereof;
FIG. 7 is a left-side elevational view thereof; and,
FIG. 8 shows a perspective view of a second embodiment of my claimed design as depicted in FIGS. 1-7, the difference consisting of a smooth front surface texture.
The broken lines illustrate portions of the masonry block that form no part of the claimed design.

1 Claim, 8 Drawing Sheets



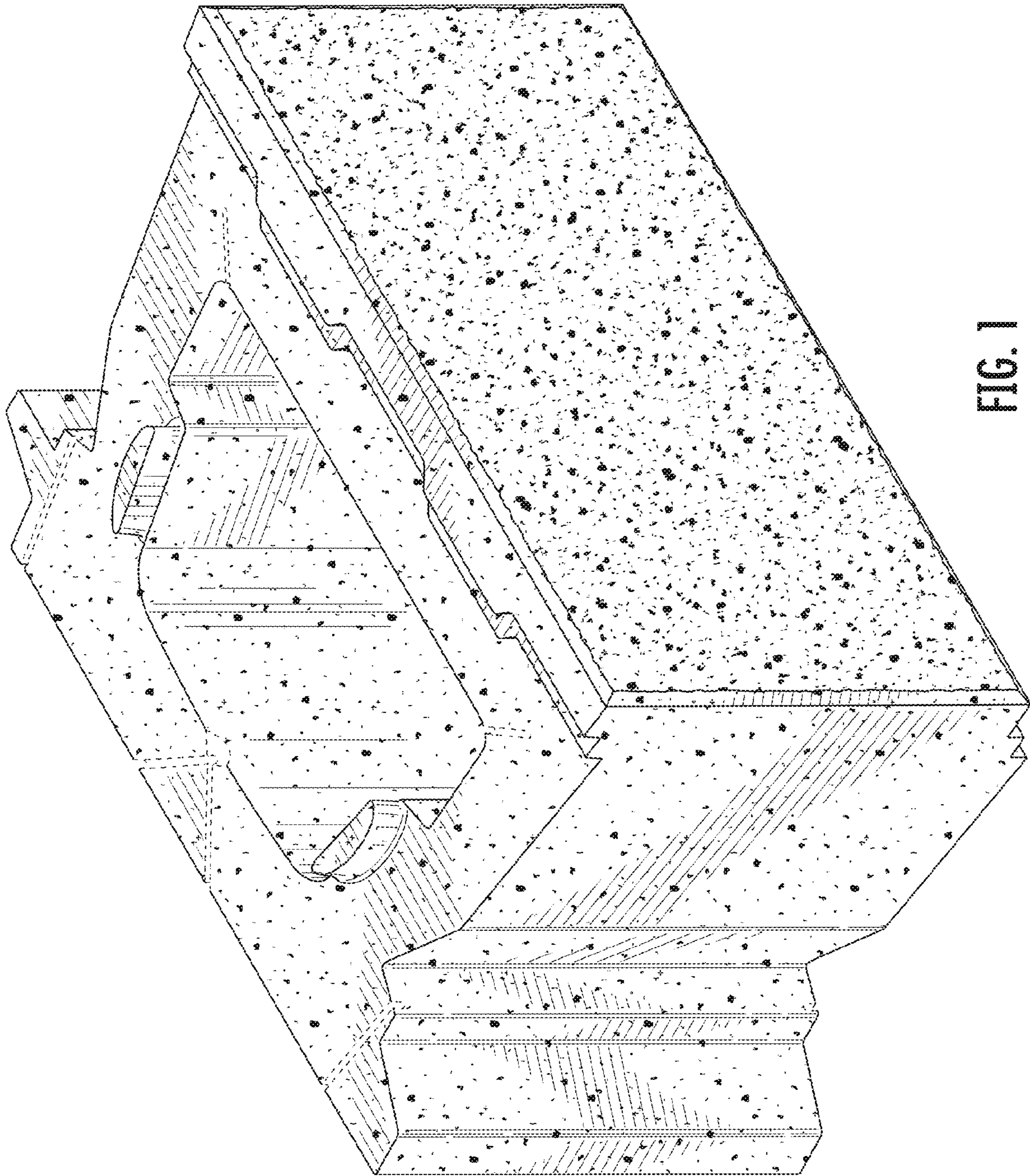
(56)

References Cited

U.S. PATENT DOCUMENTS

10,583,588	B2 *	3/2020	Karau	E02D 29/02
D900,342	S *	10/2020	Rainey	D25/118
D919,838	S *	5/2021	Kloss	D25/113
2002/0023403	A1	2/2002	Whitson	
2002/0083657	A1	7/2002	Mattox et al.	
2008/0277561	A1	11/2008	MacDonald	
2009/0000234	A1 *	1/2009	Bott	E02D 29/025 52/745.19
2011/0217127	A1	9/2011	MacDonald	
2014/0037389	A1	2/2014	Welling	

* cited by examiner



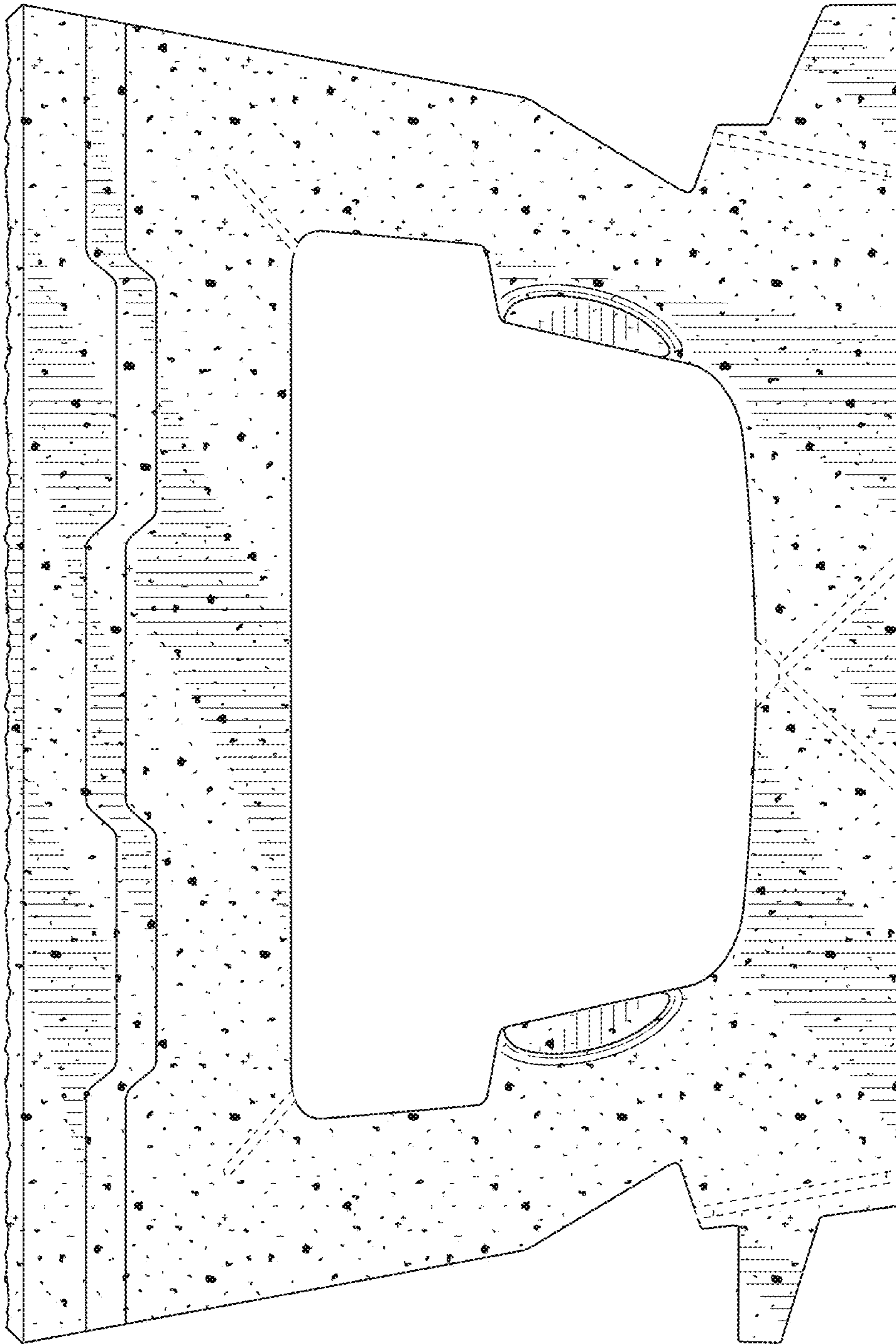


FIG. 2

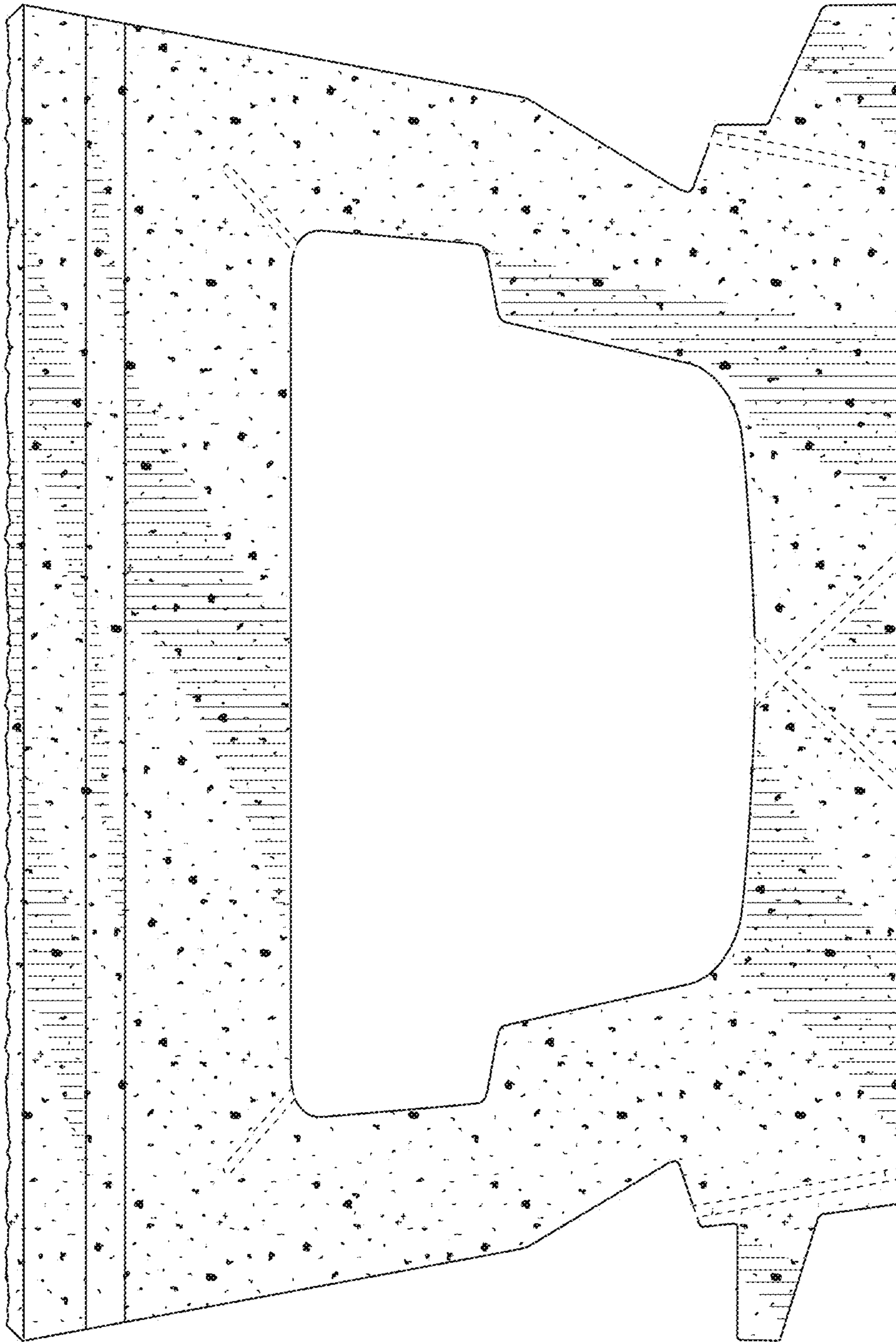


FIG. 3

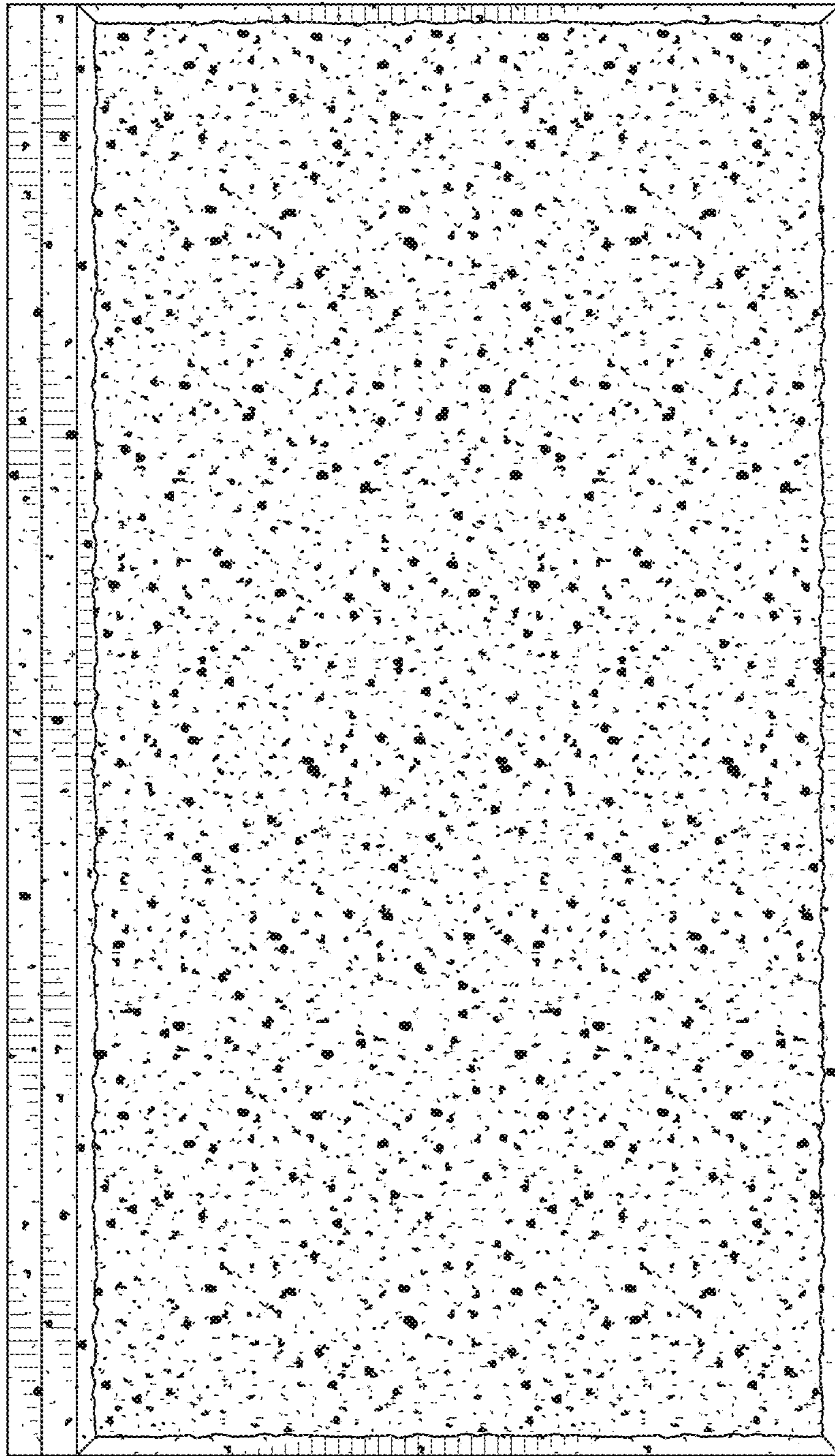


FIG. 4

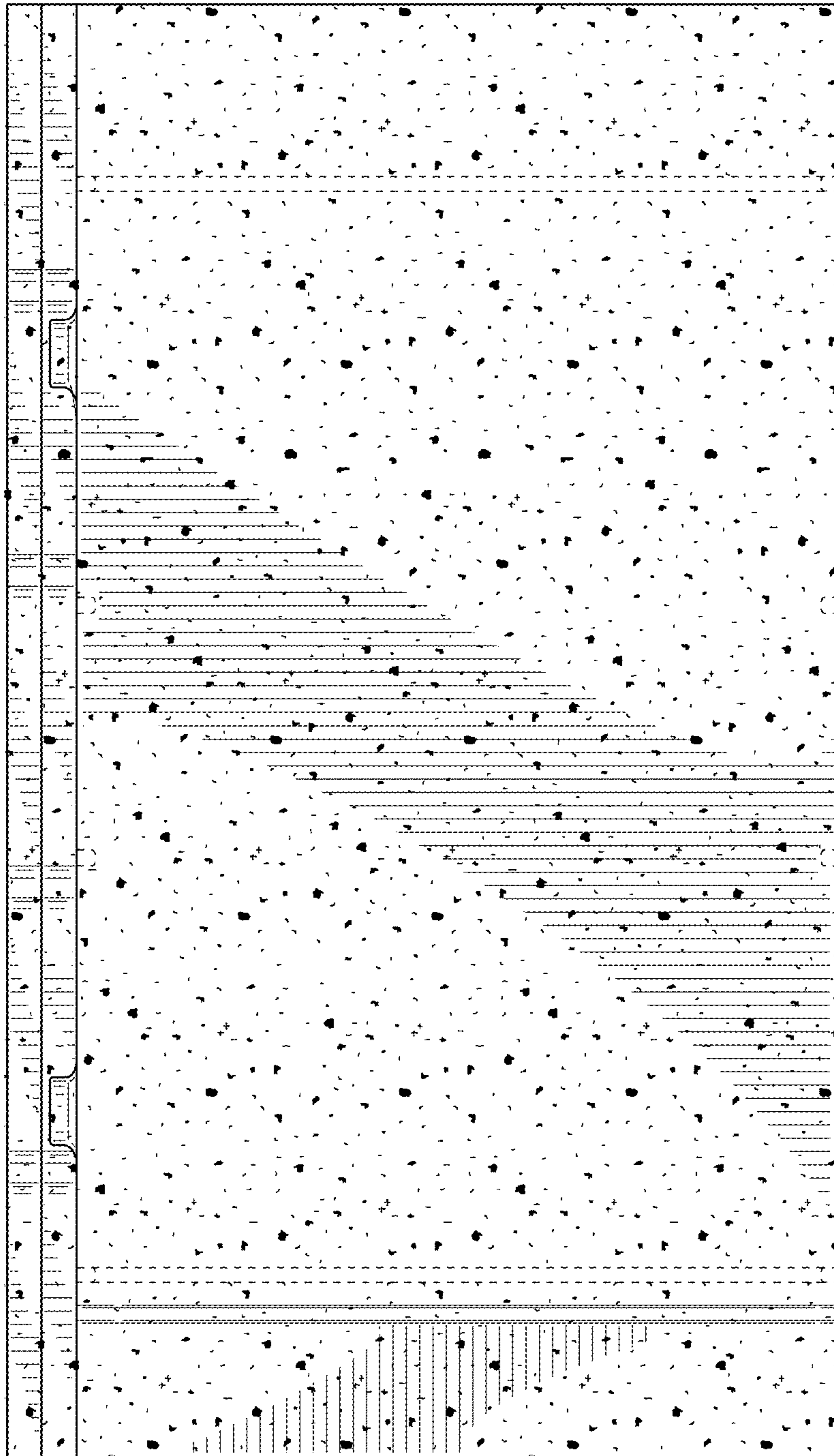


FIG. 5

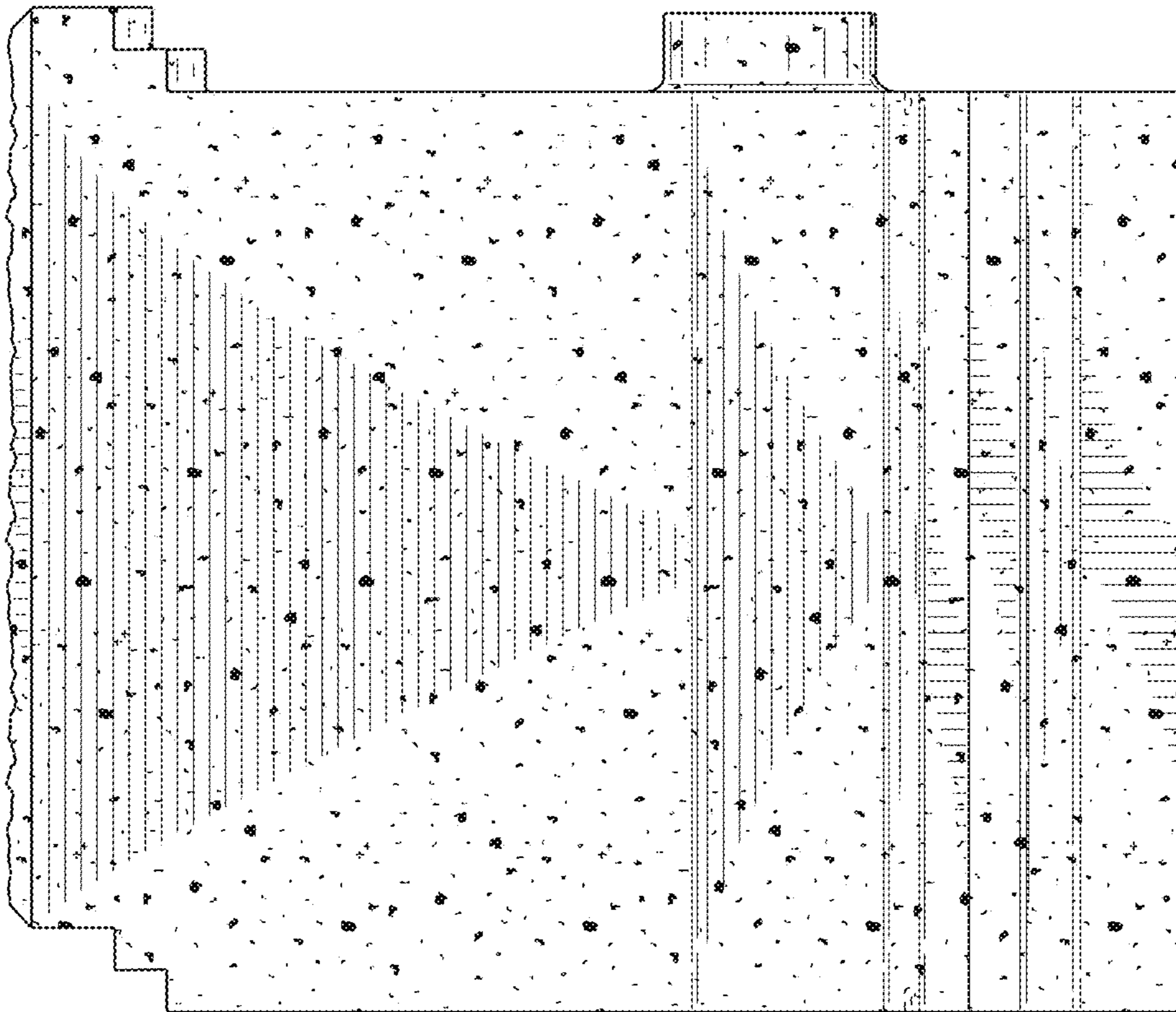


FIG. 6

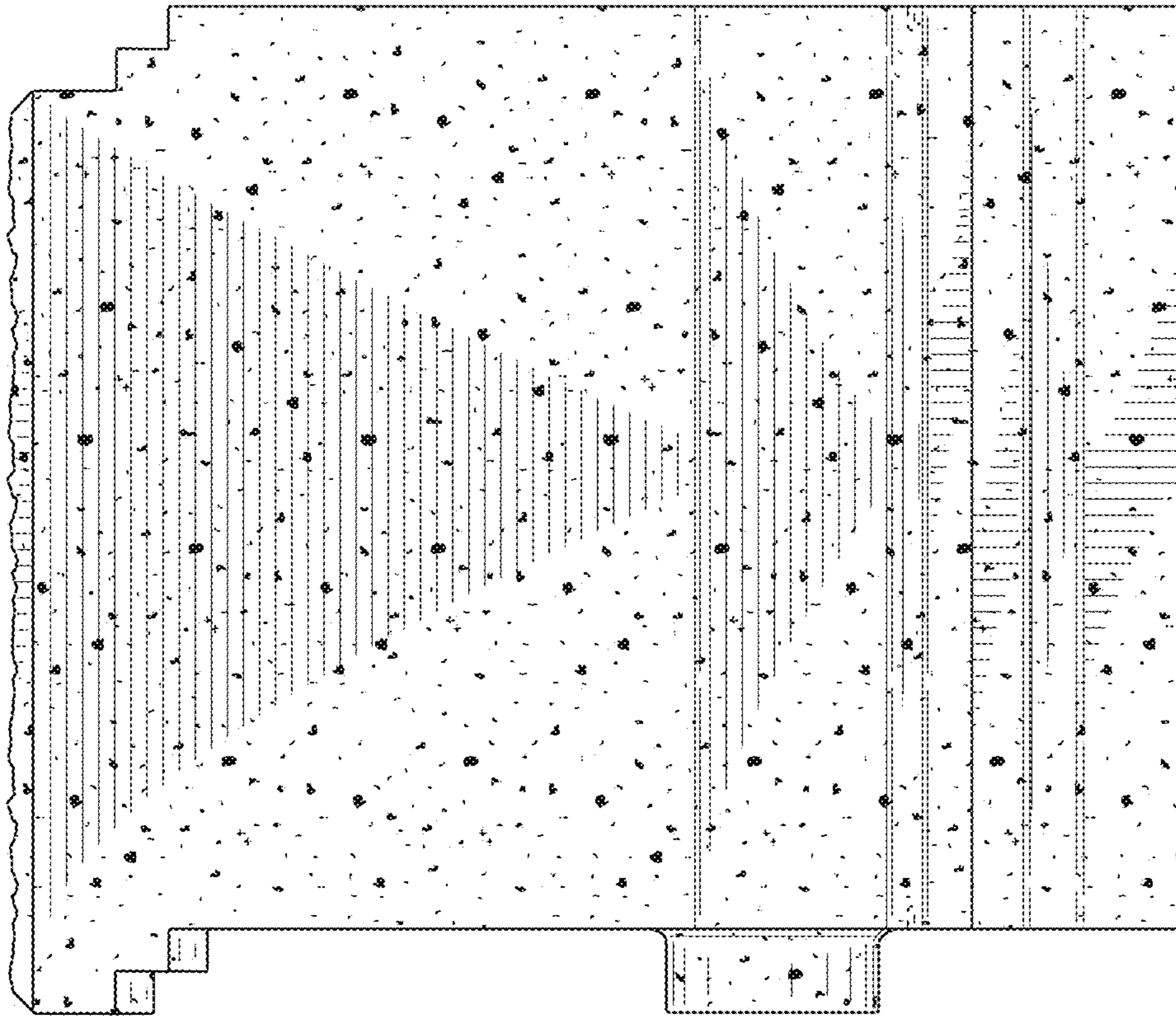


FIG. 7

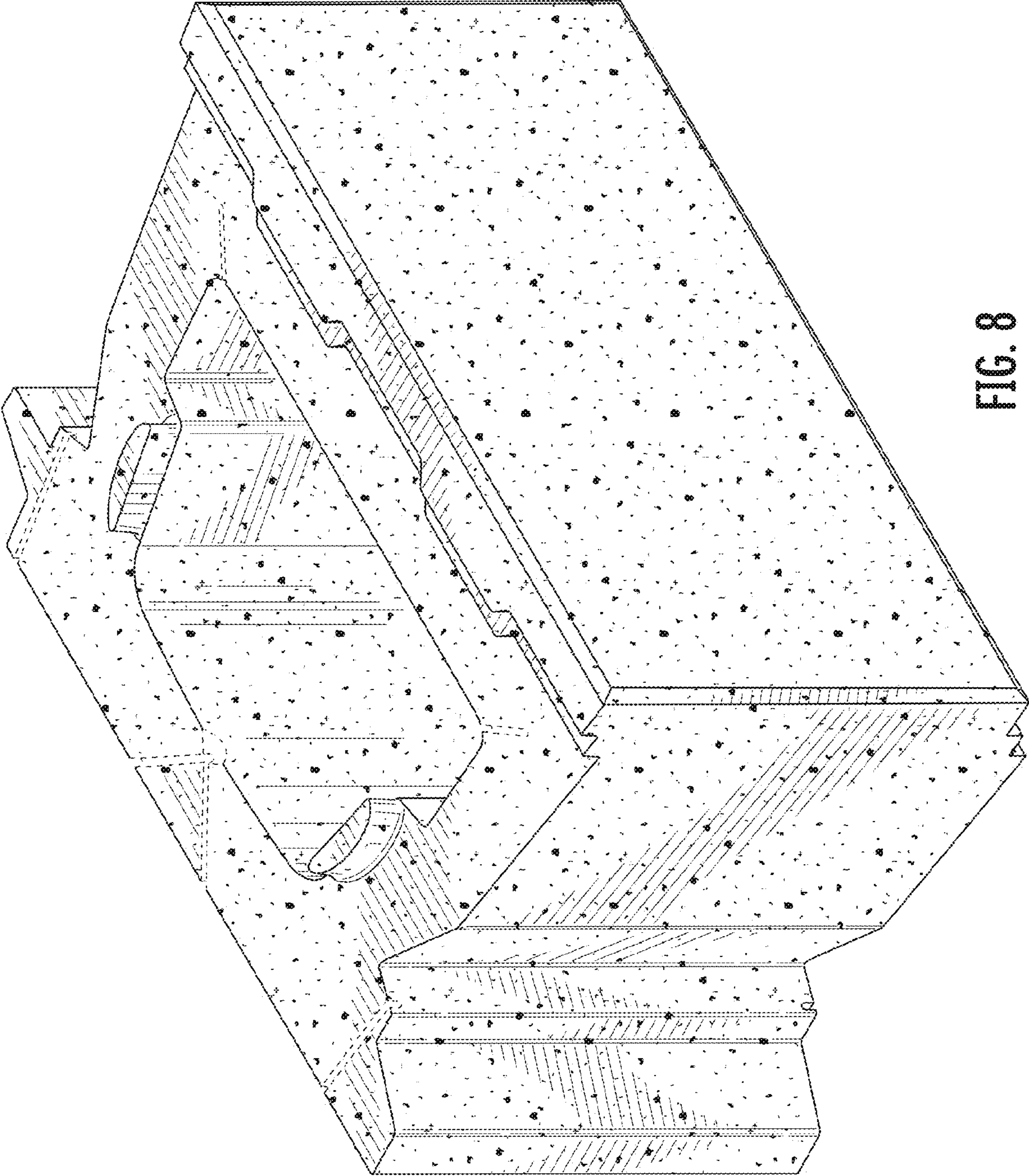


FIG. 8