



US00D952906S

(12) **United States Design Patent** (10) **Patent No.:** **US D952,906 S**  
**Mazur et al.** (45) **Date of Patent:** **\*\* May 24, 2022**

(54) <b>MUNTIN BAR ASSEMBLY</b>	4,437,284 A * 3/1984 Cribben ..... E06B 3/685 52/204.61
(71) Applicant: <b>WWS Acquisition, LLC</b> , Phoenix, AZ (US)	4,598,520 A 7/1986 Ellstrom 4,678,487 A * 7/1987 Cadwell, Jr. .... E04B 9/10 55/385.1
(72) Inventors: <b>Richard Mazur</b> , Mesa, AZ (US); <b>Cameron Miles Wyatt</b> , Gilbert, AZ (US)	4,907,389 A 3/1990 Pettit 5,040,347 A * 8/1991 Valvis ..... E06B 3/68 52/204.591
(73) Assignee: <b>WWS Acquisition LLC</b> , Phoenix, AZ (US)	5,274,976 A * 1/1994 Burkhart ..... E06B 3/685 52/314
	5,331,727 A 7/1994 Golen D361,134 S * 8/1995 Bischel ..... D25/55

(\*\*) Term: **15 Years**

(21) Appl. No.: **29/796,649**

(22) Filed: **Jun. 25, 2021**

**Related U.S. Application Data**

(63) Continuation of application No. 29/679,621, filed on Feb. 7, 2019, now Pat. No. Des. 927,017.

(51) **LOC (13) Cl.** ..... **25-01**

(52) **U.S. Cl.**  
USPC ..... **D25/48.7**

(58) **Field of Classification Search**  
USPC ..... D8/382; D25/48.7, 48.8, 55, 58, 60, 61,  
D25/119, 121, 125  
CPC .... E04B 9/14; B60J 1/2094; Y10T 29/49861;  
E06B 3/6604; E06B 3/667; E06B  
3/67321; E06B 3/67326; E06B 3/68;  
E06B 3/685

See application file for complete search history.

(56) **References Cited**

**U.S. PATENT DOCUMENTS**

2,240,591 A *	5/1941	Waterman	.....	E06B 3/68 52/204.6
3,307,316 A	3/1967	Gray		
3,308,593 A *	3/1967	Smith	.....	E06B 3/6675 52/456
4,060,950 A	12/1977	Rackard et al.		
4,145,858 A	3/1979	Dovman		
D256,729 S *	9/1980	Carlson	.....	D25/136

**FOREIGN PATENT DOCUMENTS**

GB 2039783 \* 5/1995

**OTHER PUBLICATIONS**

Olympia Windows and Doors <https://www.olympiawindows.com/doors/> May 2016 (Year: 2016).\*

(Continued)

*Primary Examiner* — Leanne Was-Englehart  
(74) *Attorney, Agent, or Firm* — Taylor English Duma  
LLP

(57) **CLAIM**

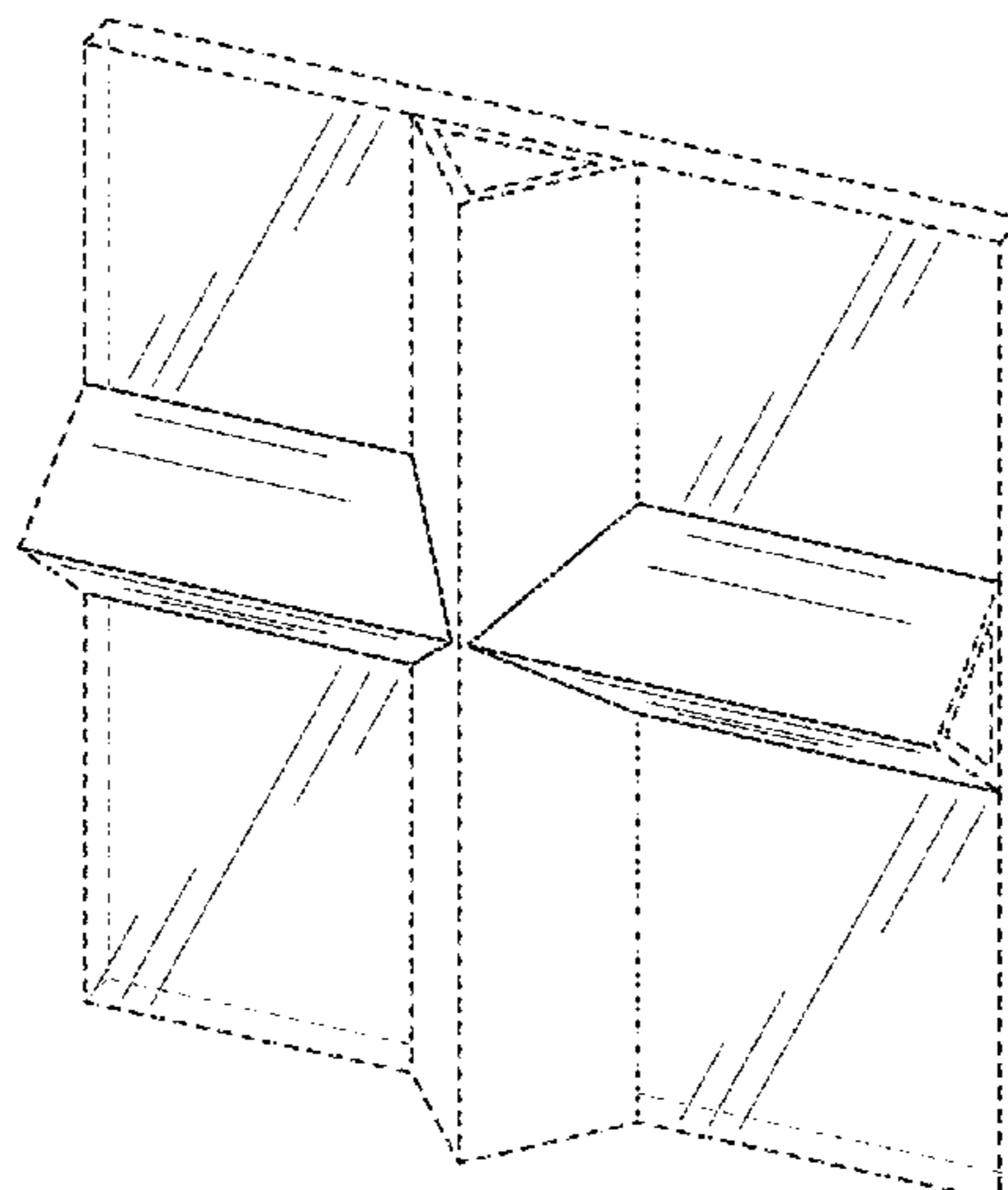
We claim the ornamental design for a muntin bar assembly, as shown and described.

**DESCRIPTION**

FIG. 1 is a perspective view of a muntin bar assembly.  
FIG. 2 is a front elevation view thereof.  
FIG. 3 is a rear elevation view thereof.  
FIG. 4 is a left-side elevation view thereof.  
FIG. 5 is a right-side elevation view thereof.  
FIG. 6 is a top plan view thereof; and,  
FIG. 7 is a bottom plan view thereof.

The invention pertains to an ornamental design for a muntin bar assembly. Those features shown in broken lines form no part of the claimed design.

**1 Claim, 5 Drawing Sheets**



(56)

References Cited

U.S. PATENT DOCUMENTS

D361,135 S \* 8/1995 Bischel ..... D25/55  
 D361,387 S \* 8/1995 Bischel ..... D25/55  
 D361,388 S \* 8/1995 Bischel ..... D25/55  
 D361,389 S \* 8/1995 Bischel ..... D25/55  
 5,617,684 A \* 4/1997 Sheath ..... E06B 3/68  
 52/204.57  
 6,035,597 A 3/2000 Donaldson  
 6,708,384 B2 3/2004 McGlinchy  
 D495,063 S \* 8/2004 Barnard ..... D25/103  
 D498,306 S \* 11/2004 Chaussy, Jr. .... D25/48.7  
 6,898,914 B2 5/2005 Folsom et al.  
 7,464,514 B2 12/2008 Hanggli  
 7,716,885 B2 5/2010 Reichert  
 D668,784 S \* 10/2012 Myles ..... D25/48.7  
 D700,359 S \* 2/2014 Elizarraras ..... D25/55  
 D710,027 S \* 7/2014 Myles ..... D25/48.7  
 D710,029 S \* 7/2014 Myles ..... D25/48.7  
 D793,580 S \* 8/2017 Staton ..... D25/60  
 D799,719 S \* 10/2017 Staton ..... D25/48.7  
 10,415,302 B2 9/2019 Vander Bent, Jr. et al.  
 10,550,626 B1 \* 2/2020 Medina ..... E06B 3/12  
 D902,023 S 11/2020 Briese  
 D927,017 S \* 8/2021 Mazur ..... D25/48.7  
 2001/0034990 A1 11/2001 Reichert  
 2009/0313922 A1 12/2009 Yun  
 2016/0102492 A1 \* 4/2016 Cai ..... E06B 3/68  
 52/204.6  
 2020/0370361 A1 11/2020 Zehner

OTHER PUBLICATIONS

M2M triangle tubes <http://www.m2m-alu.com/en/tube-triangulaire.php> Jan. 15, 2019 (Year: 2019).\*

Mazur, Richard; Final Office Action for U.S. Appl. No. 16/752,538, filed Jan. 24, 2020, dated May 28, 2021, 14 pgs.  
 Mazur, Richard; Non-Final Office Action for U.S. Appl. No. 16/752,538, filed Jan. 24, 2020, dated Feb. 16, 2021, 14 pgs.  
 Mazur, Richard; Requirement for Restriction/Election for U.S. Appl. No. 16/752,538, filed Jan. 24, 2020, dated Dec. 16, 2020, 8 pgs.  
 Like Steel Unlike Anything Else Western Window Systems <https://www.westernwindowssystems.com/simulated-steel-line> Jul. 2019 (Year: 2019).  
 Mazur, Richard; Final Office Action for Design U.S. Appl. No. 29/679,621, filed Feb. 7, 2019, dated Dec. 30, 2020, 6 pgs.  
 Mazur, Richard; Non-Final Office Action for Design U.S. Appl. No. 29/679,621, filed Feb. 7, 2019, dated Sep. 4, 2020, 12 pgs.  
 Mazur, Richard; Notice of Allowance for Design U.S. Appl. No. 29/679,621, filed Feb. 7, 2019, dated Mar. 24, 2021, 12 pgs.  
 Mazur, Richard; Non-Final Office Action for U.S. Appl. No. 16/752,538, filed Jan. 24, 2020, dated Nov. 8, 2021, 22 pgs.  
 San Diego Replacement Window Grids\_ BM Windows <https://www.bmwindowsca.com/grid-options-san-diego-replacement-window-customers> Jun. 2016 (Year: 2016), 3 pgs.  
 Vinyl Windows Signature Elite Vinyl Replacement Windows—Gentek <https://gentekinc.com/product-catalog/windows/signature-elite-vinyl-windows/> Sep. 2020 (Year: 2020), 4 pgs.  
 Fancy Windows <https://www.fancywindows.com/picture-windows.html> Jul. 1, 2019 (Year: 2019), 2 pgs.  
 MJ Windows <https://www.mjwindows.ca/products/grids-muntin-bars/> Sep. 4, 2018 (Year: 2018), 1 pg.

\* cited by examiner

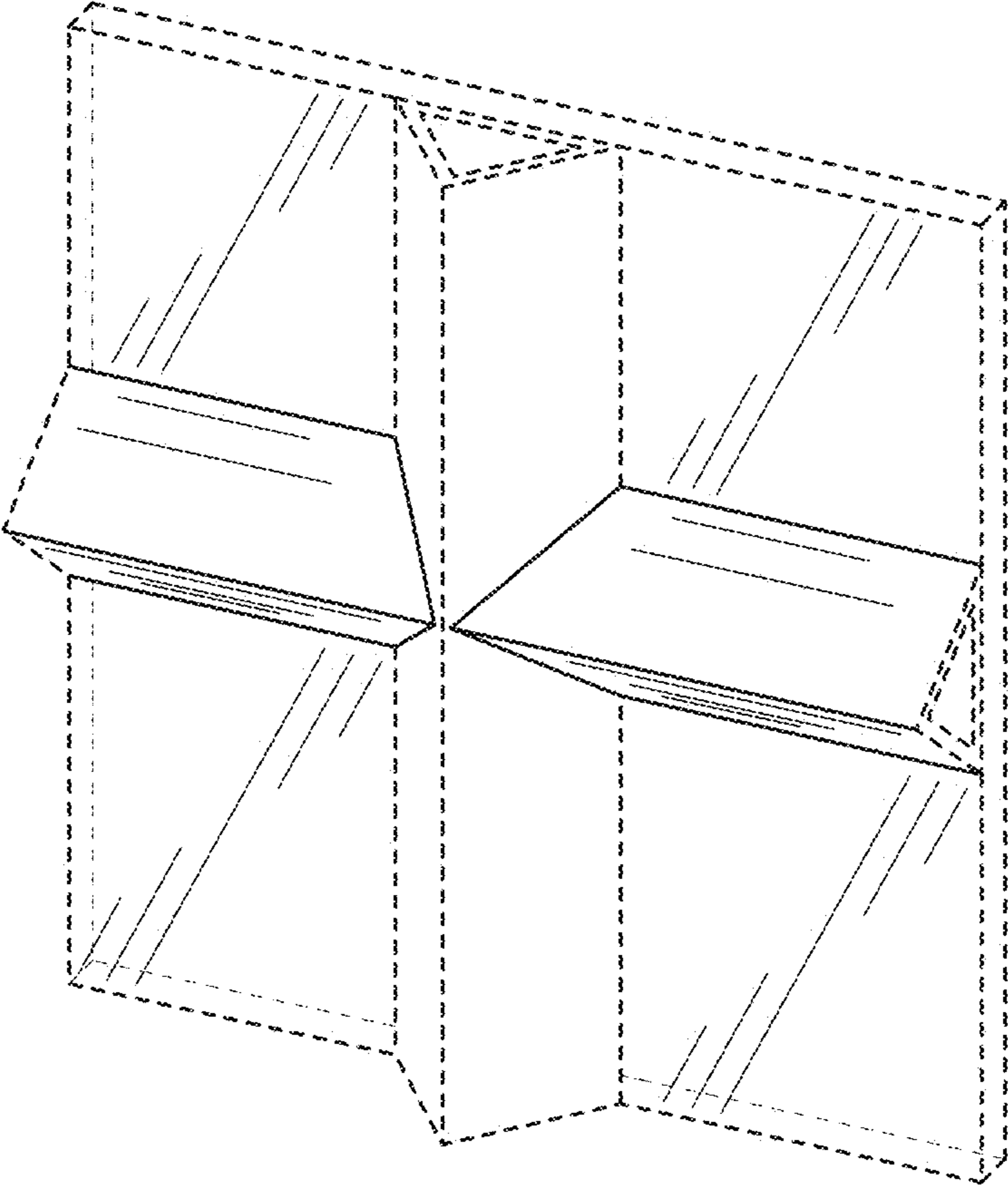


FIG. 1

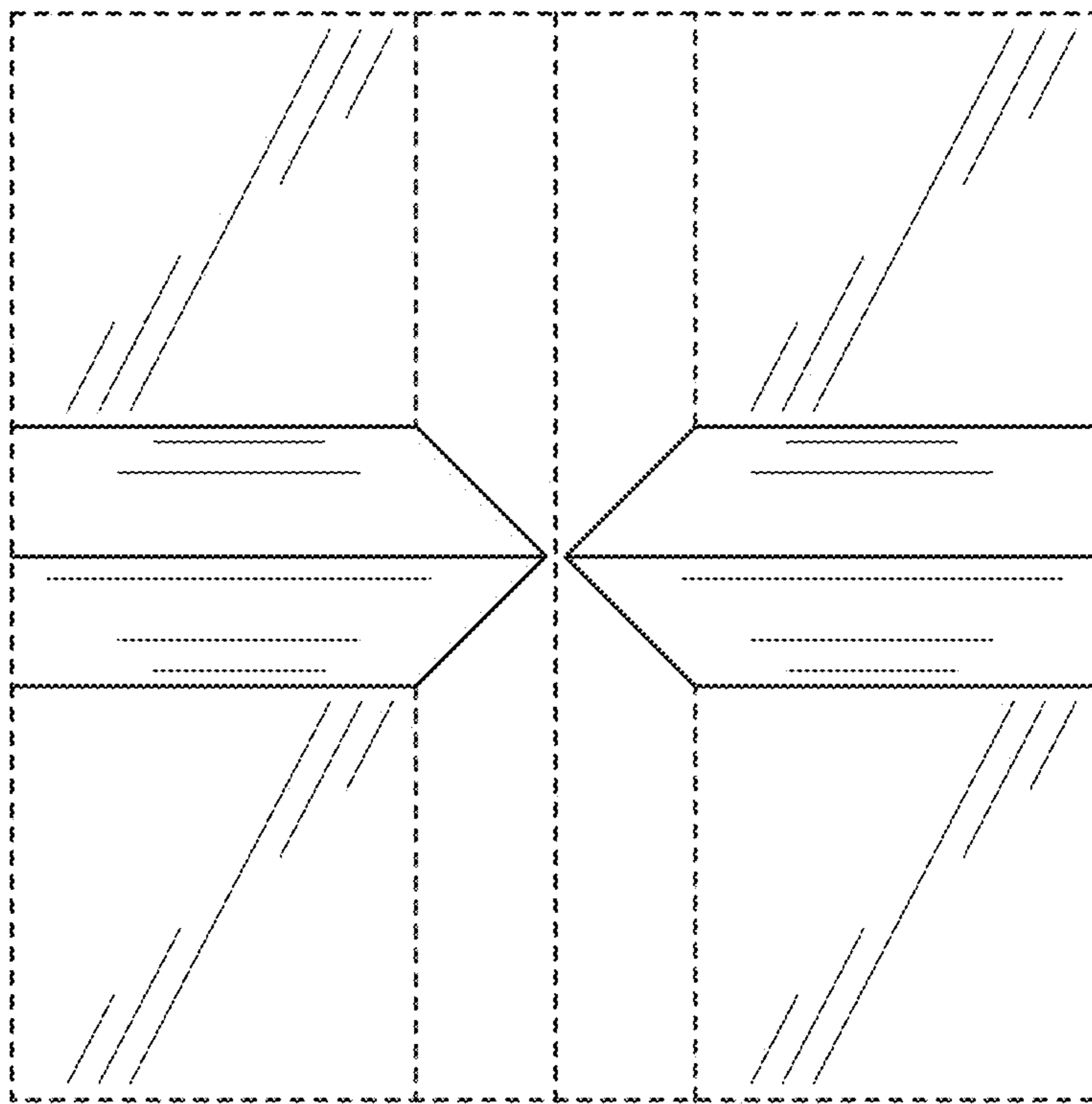


FIG. 2

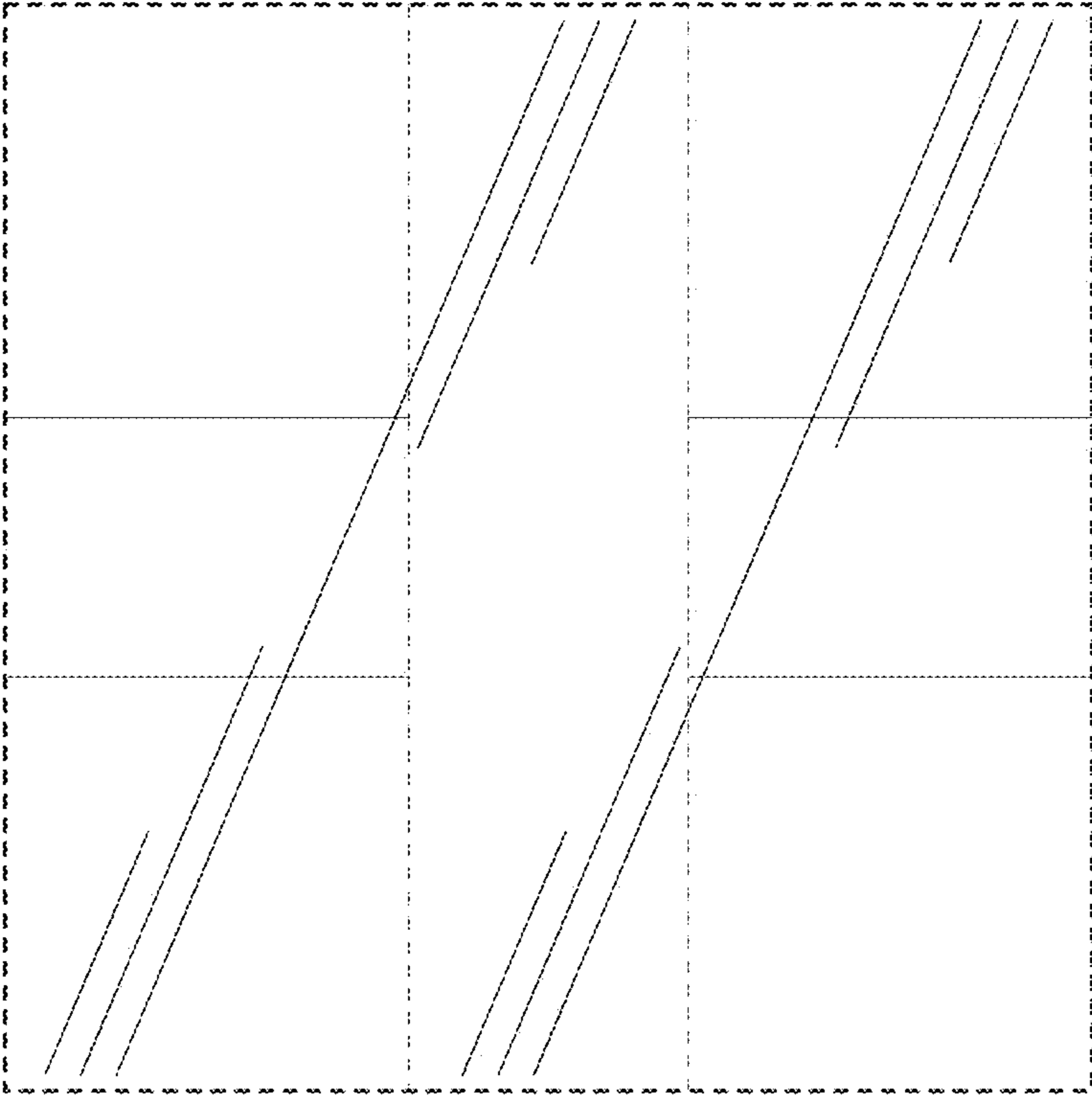


FIG. 3

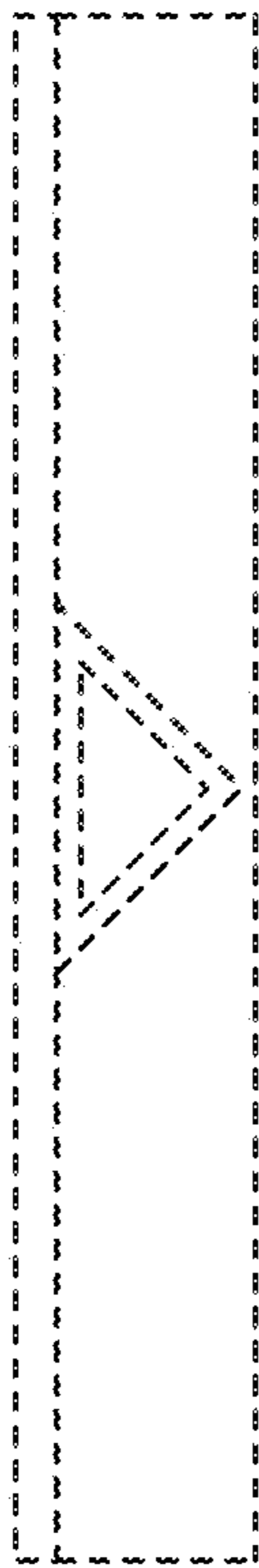


FIG. 4

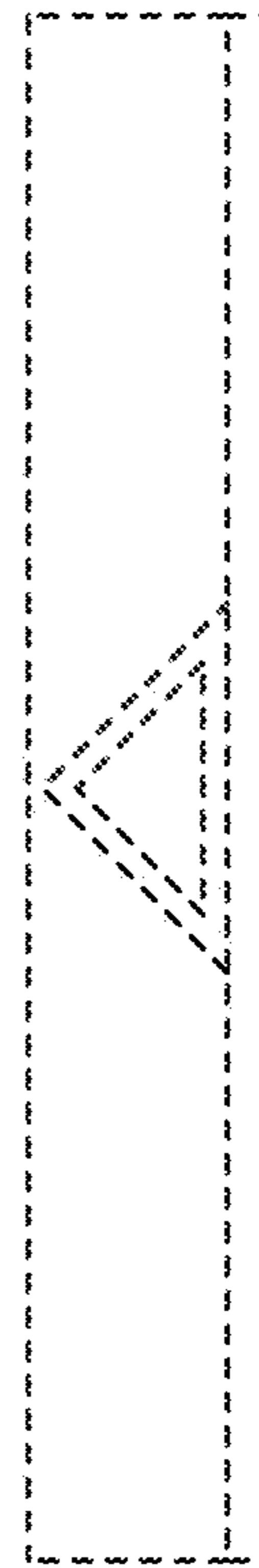


FIG. 5

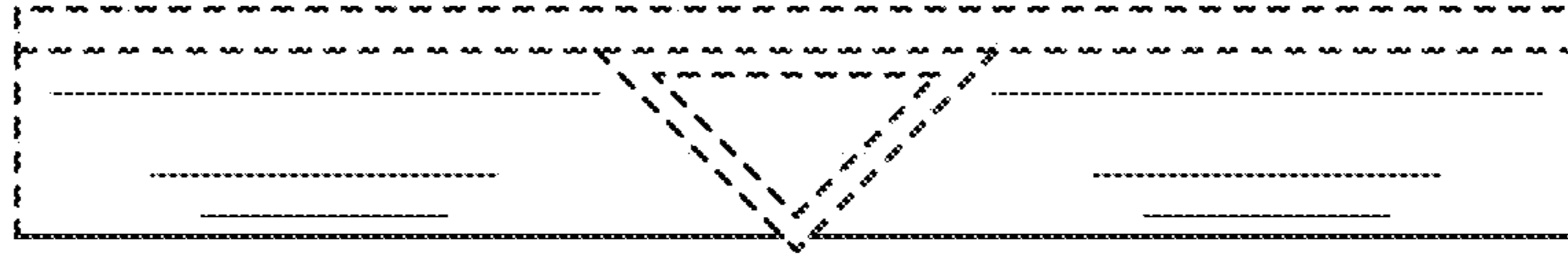


FIG. 6



FIG. 7