



US00D952902S

(12) **United States Design Patent** (10) **Patent No.:** **US D952,902 S**  
**Isaacs** (45) **Date of Patent:** **\*\* May 24, 2022**

(54) **FENCE RAIL**

(71) Applicant: **Matthew L. Isaacs**, Chesterfield, MI (US)

(72) Inventor: **Matthew L. Isaacs**, Chesterfield, MI (US)

(\*\*) Term: **15 Years**

(21) Appl. No.: **29/735,376**

(22) Filed: **May 20, 2020**

(51) **LOC (13) Cl.** ..... **25-02**

(52) **U.S. Cl.**  
USPC ..... **D25/38.1**

(58) **Field of Classification Search**  
USPC ..... D25/38.1, 41.1, 43, 44, 119, 120–126, D25/136, 164  
CPC ..... F16B 7/0413; E04F 11/18; E04F 11/181; E04F 11/1802; E04F 11/1808; E04F 11/1817; E04F 11/1834; E04F 11/1836; E04F 11/1838; E04F 11/1842; E04F 11/1851; E04F 11/1865; B66C 7/02; E01F 15/0453; B63B 17/04; E06B 3/5409; E06B 3/62  
See application file for complete search history.

(56) **References Cited**

**U.S. PATENT DOCUMENTS**

D199,024 S \* 9/1964 Huret ..... D25/123  
D200,702 S \* 3/1965 Huret ..... D25/121

D518,184 S \* 3/2006 Fitts ..... D25/38.1  
D544,965 S \* 6/2007 Seiling ..... D25/38.1  
D560,823 S \* 1/2008 Holland ..... D25/122  
D661,813 S \* 6/2012 Walker ..... D25/38.1  
D805,653 S \* 12/2017 Bizzarri ..... D25/38.1  
D852,379 S \* 6/2019 Springborn ..... D25/38.1  
D852,381 S \* 6/2019 Springborn ..... D25/38.1  
D873,438 S \* 1/2020 Springborn ..... D25/38.1  
D908,919 S \* 1/2021 Flusche ..... D25/38.1  
D922,615 S \* 6/2021 Springborn ..... D25/38.1  
2018/0369894 A1 \* 12/2018 Avetsisants ..... F16B 5/126

\* cited by examiner

*Primary Examiner* — Leanne Was-Englehart  
(74) *Attorney, Agent, or Firm* — Burriss Law, PLLC

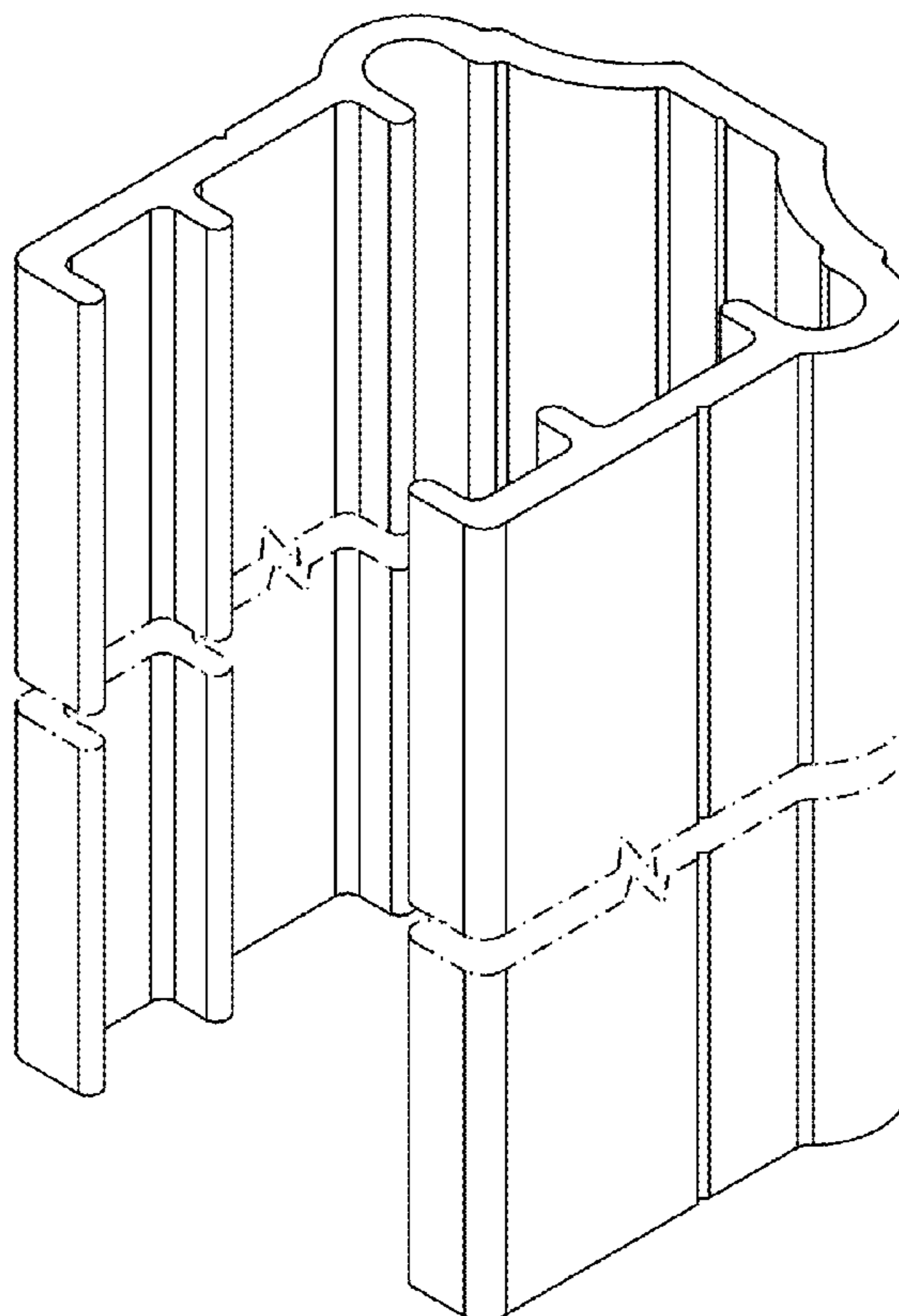
(57) **CLAIM**

The ornamental design for a fence rail, as shown and described.

**DESCRIPTION**

FIG. 1 is a perspective view of a fence rail;  
FIG. 2 is a front view thereof;  
FIG. 3 is a right side view thereof;  
FIG. 4 is a left side view thereof;  
FIG. 5 is a top view thereof;  
FIG. 6 is a rear view thereof; and,  
FIG. 7 is a bottom view thereof.  
The dot-dash lines depict a symbolic break in the fence rail.  
The portion between the break lines forms no part of the claimed design.

**1 Claim, 7 Drawing Sheets**



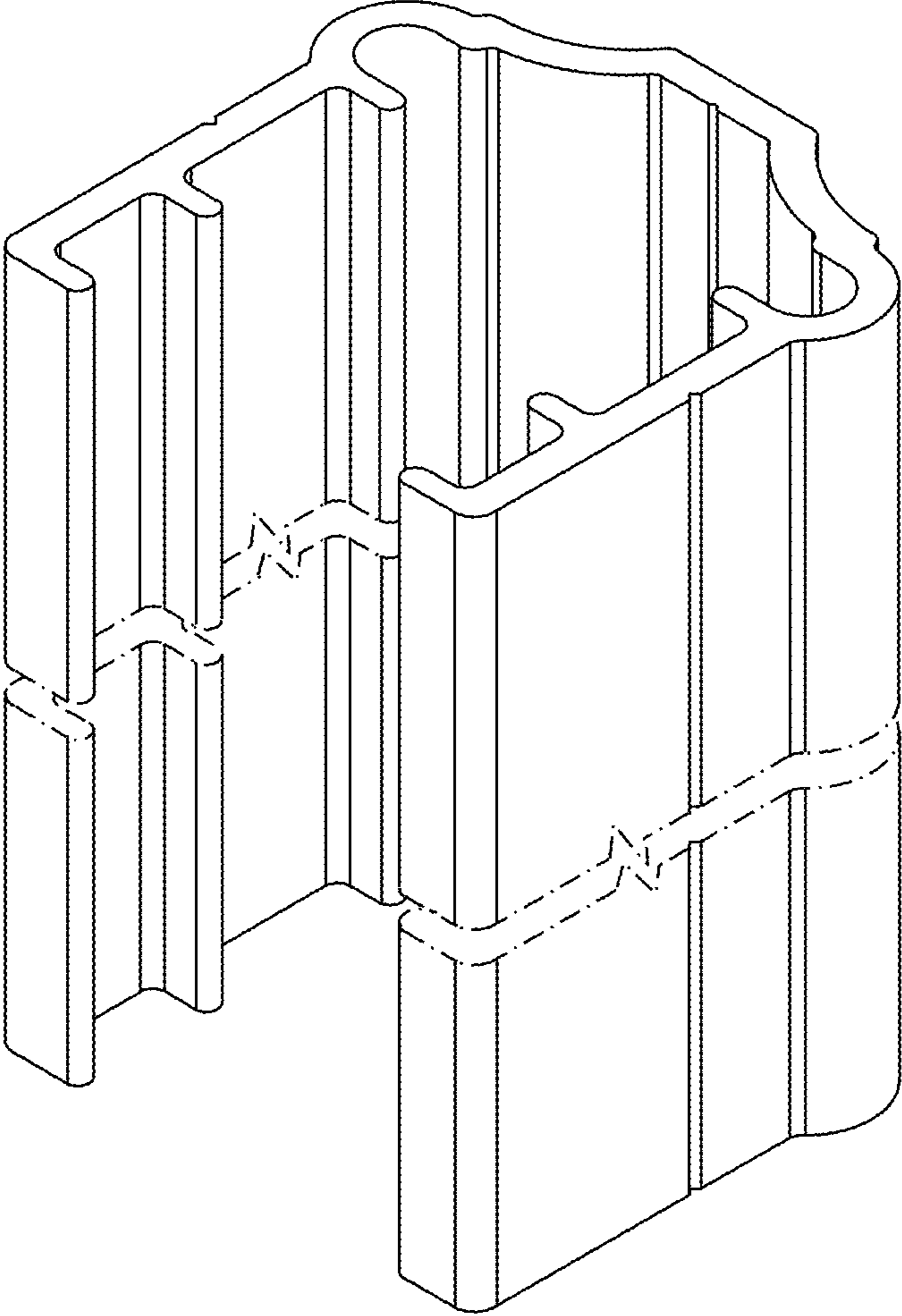


FIG. 1

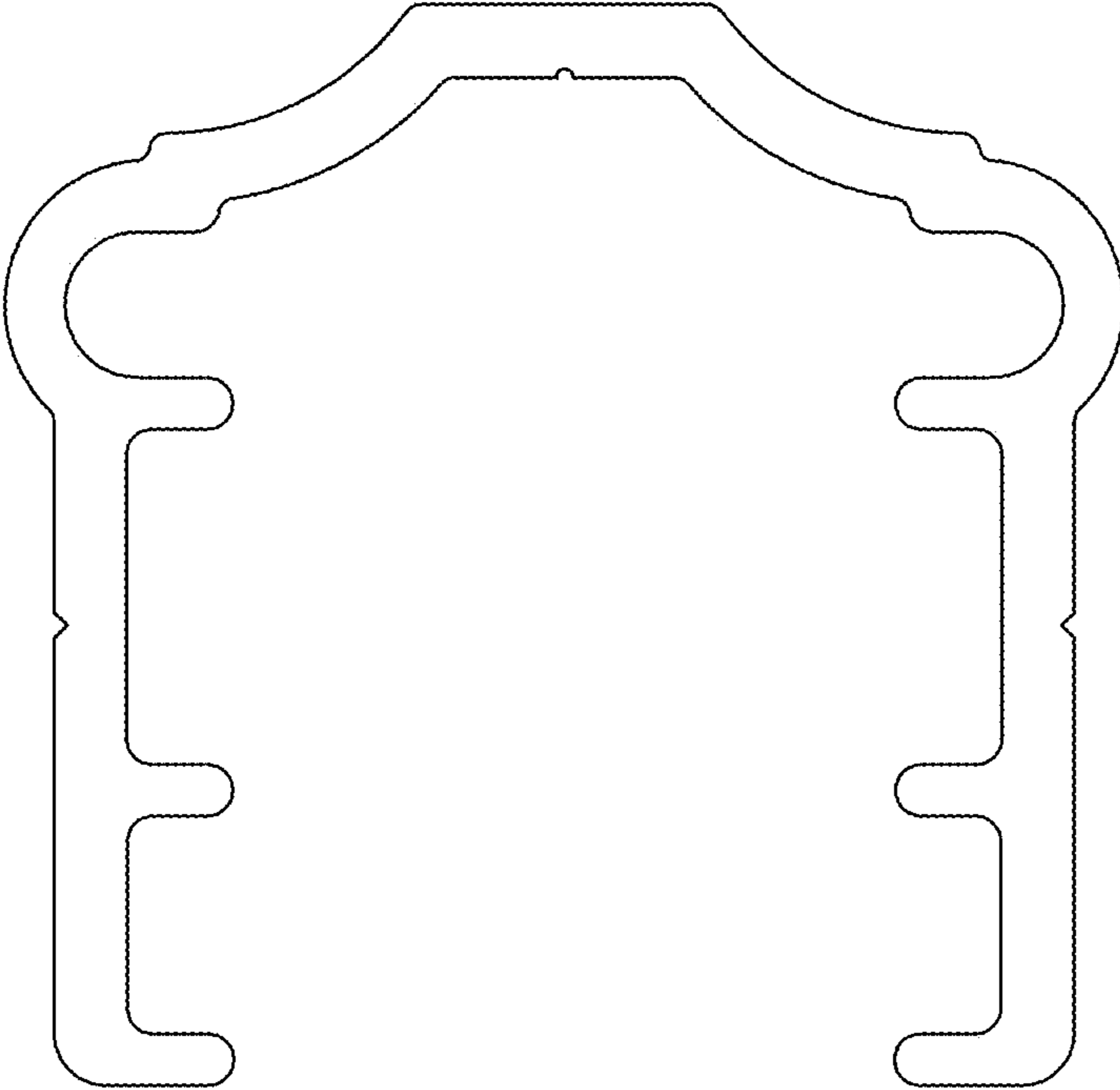


FIG. 2

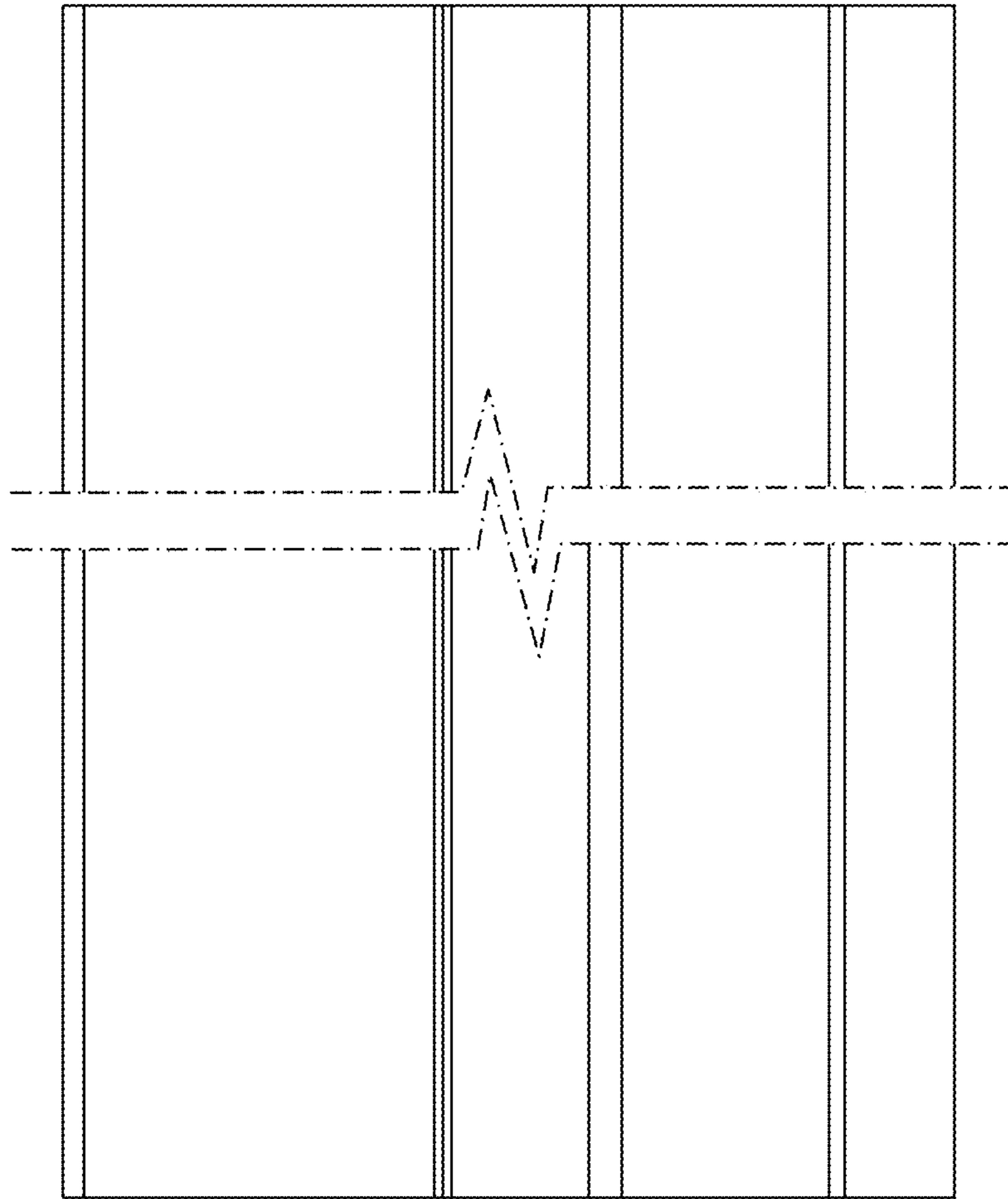


FIG. 3

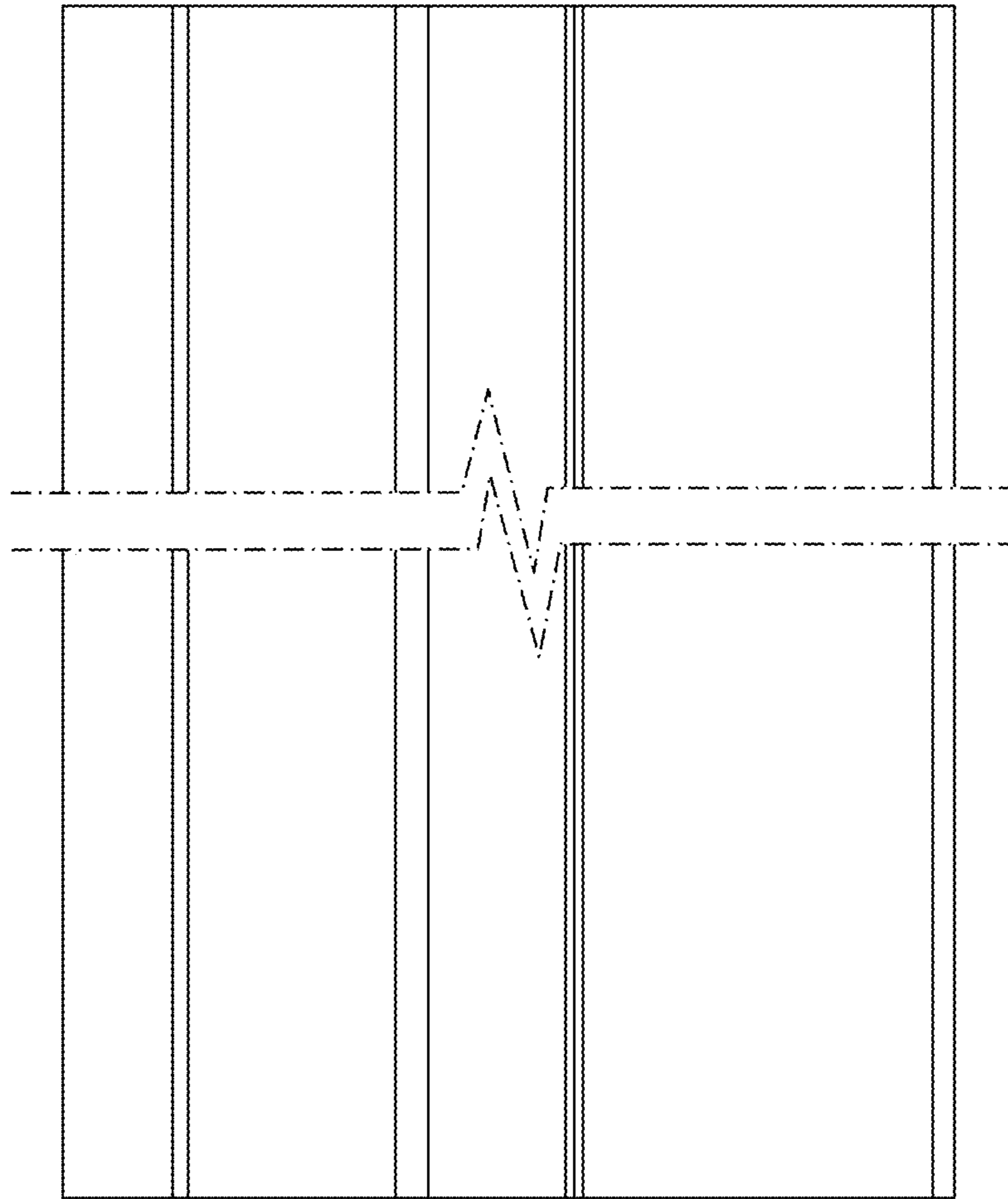


FIG. 4

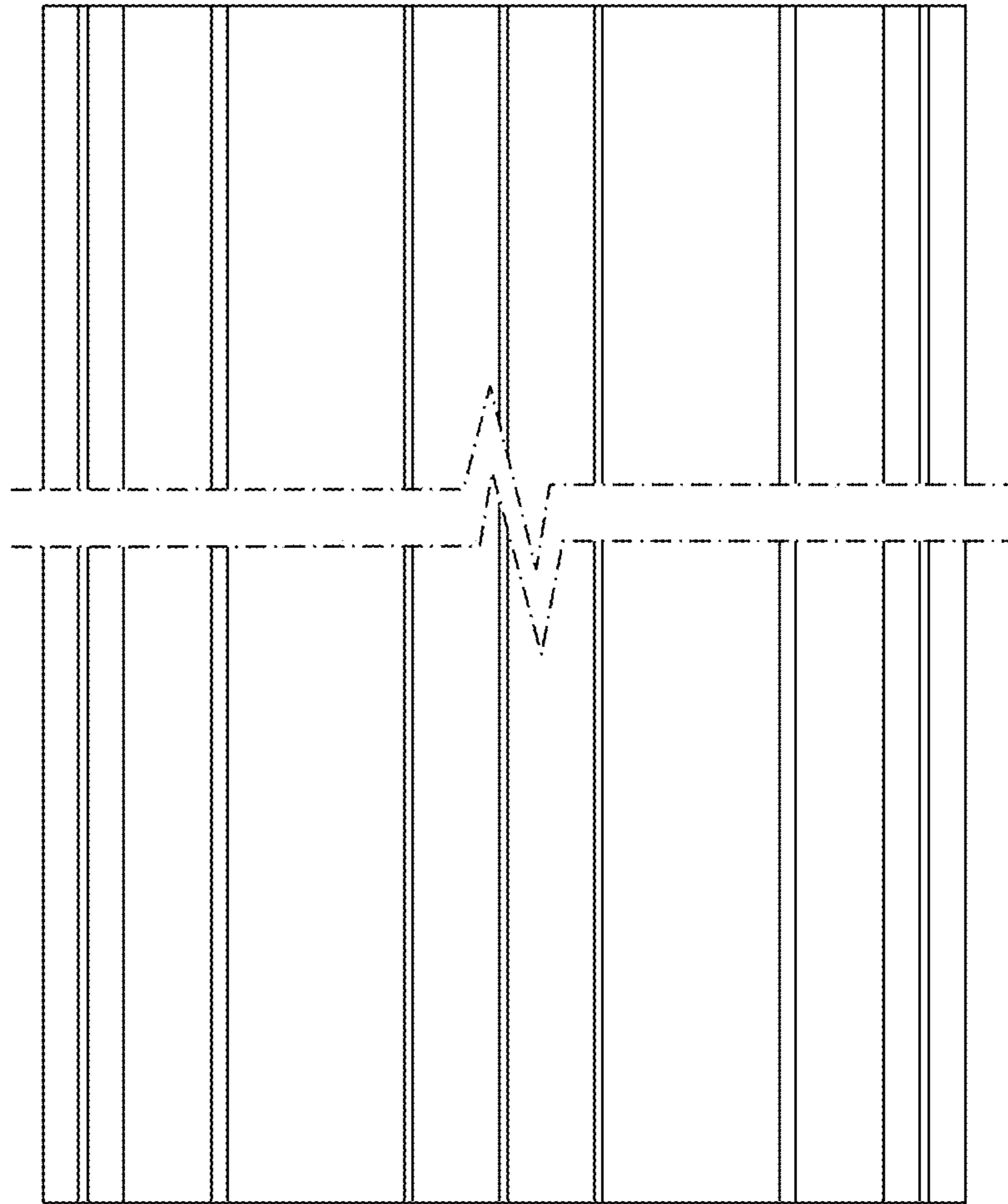


FIG. 5

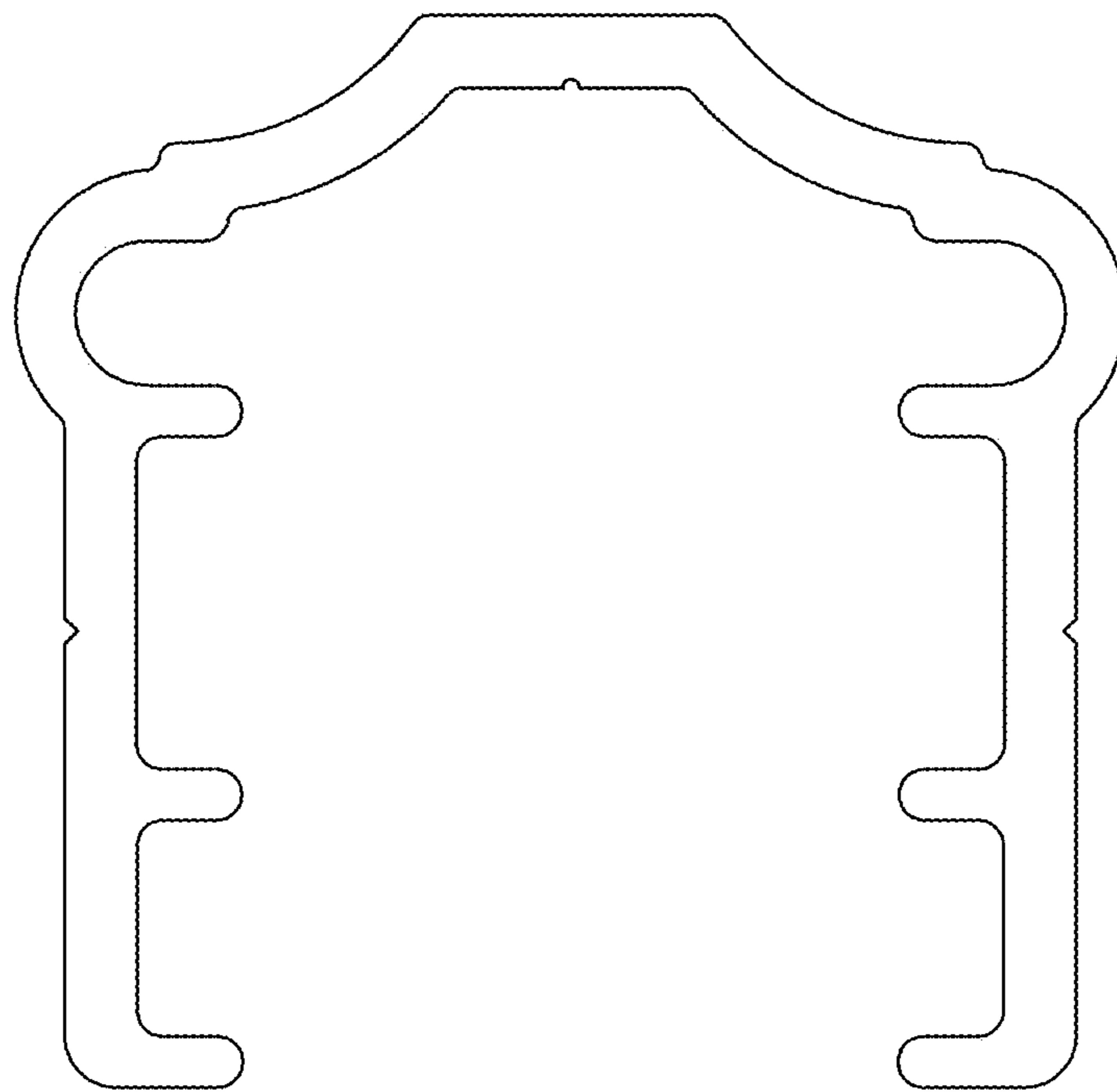


FIG. 6

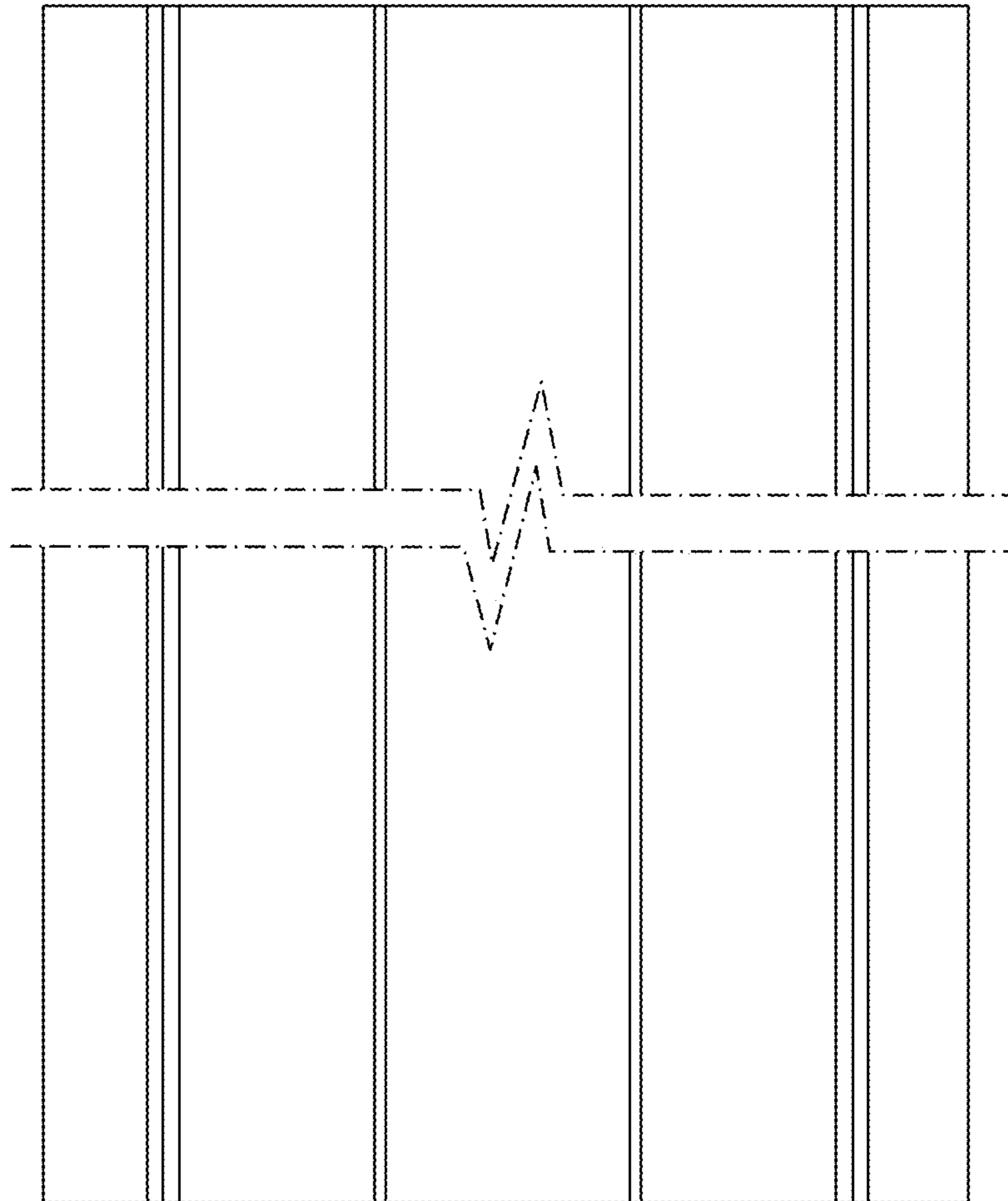


FIG. 7