



US00D952899S

(12) **United States Design Patent** (10) **Patent No.:** **US D952,899 S**  
**Dewey et al.** (45) **Date of Patent:** **\*\* May 24, 2022**

- (54) **BONE MATERIAL DISPENSING TRAY**
- (71) Applicant: **Warsaw Orthopedic, Inc.**, Warsaw, IN (US)
- (72) Inventors: **Jonathan M. Dewey**, Memphis, TN (US); **Steven D. DeRidder**, Bartlett, TN (US)
- (73) Assignee: **Warsaw Orthopedic, Inc.**, Warsaw, IN (US)
- (\*\*) Term: **15 Years**
- (21) Appl. No.: **29/690,421**
- (22) Filed: **May 8, 2019**

D557,814 S \* 12/2007 Glenn ..... D24/217  
 D560,099 S \* 1/2008 Hatcher ..... D7/554.3  
 7,316,689 B2 1/2008 Lieberman  
 D657,628 S \* 4/2012 Sink ..... D7/505  
 (Continued)

**FOREIGN PATENT DOCUMENTS**

CN 105147386 12/2015  
 EP 2865341 4/2015  
 GB 2106552 \* 12/2001

*Primary Examiner* — Omeed Agilee

(74) *Attorney, Agent, or Firm* — Sorell, Lenna & Schmidt LLP; William D. Schmidt, Esq.

(57) **CLAIM**

The ornamental design for a bone material dispensing tray, as shown and described.

**DESCRIPTION**

FIG. 1 is a perspective view of a bone material dispensing tray;  
 FIG. 2 is an end view of the bone material dispensing tray;  
 FIG. 3 is an end view of the bone material dispensing tray;  
 FIG. 4 is a left side view of the bone material dispensing tray;  
 FIG. 5 is a right side view of the bone material dispensing tray;  
 FIG. 6 is a top view of the bone material dispensing tray;  
 FIG. 7 is a bottom view of the bone material dispensing tray;  
 FIG. 8 is an enlarged view of area 8 encircled in FIG. 7; and,  
 FIG. 9 is an enlarged view of area 9 encircled in FIG. 7.  
 The dash lines in the drawings depict portions of the bone material dispensing tray that form no part of the claimed design. The dot dash dot broken lines depict the boundaries of the claim and form no part thereof. The circles shown in dash lines in FIGS. 7-9 depict boundaries of the enlarged views that form no part of the claimed design.

**Related U.S. Application Data**

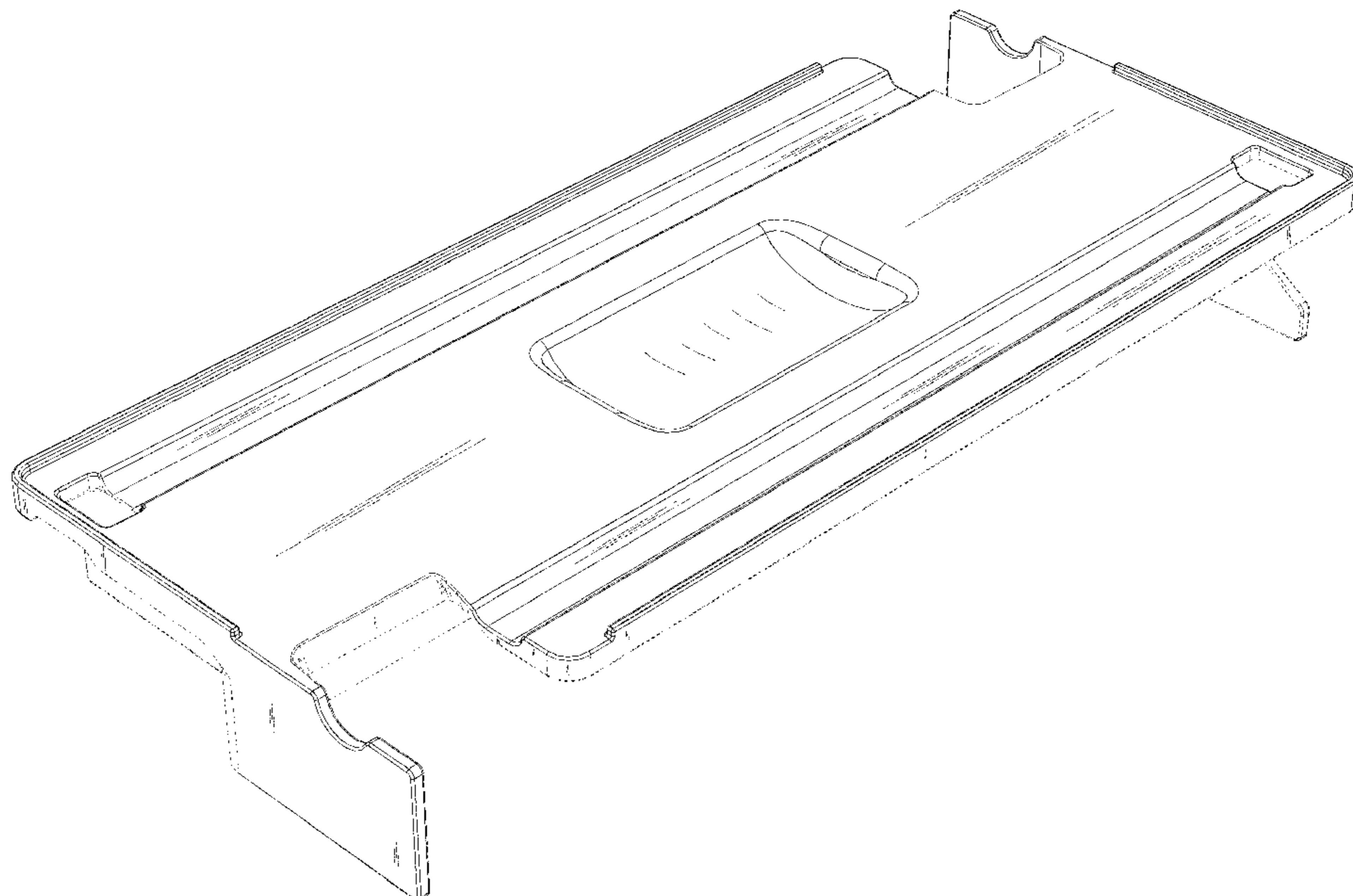
- (62) Division of application No. 16/026,647, filed on Jul. 3, 2018, now Pat. No. 10,687,880.
- (51) **LOC (13) Cl.** ..... **24-02**
- (52) **U.S. Cl.**  
USPC ..... **D24/227**
- (58) **Field of Classification Search**  
USPC ..... D24/156, 127-128, 216-232, 183-185;  
D3/304, 307, 308, 314, 315; D7/354,  
D7/361, 500, 550.1, 554.3, 587, 602  
CPC ..... A61B 50/36; A61B 2050/3011; A61B  
17/8819  
See application file for complete search history.

(56) **References Cited**

**U.S. PATENT DOCUMENTS**

4,338,925 A 7/1982 Miller  
 D298,968 S \* 12/1988 McAllister ..... D15/140  
 6,439,439 B1 8/2002 Richard et al.  
 7,011,238 B1 3/2006 Sung

**1 Claim, 5 Drawing Sheets**



(56)

**References Cited**

U.S. PATENT DOCUMENTS

8,845,646 B2 9/2014 Vendrely et al.  
D745,171 S \* 12/2015 Gomez ..... D24/184  
D747,134 S \* 1/2016 Annunziata ..... D7/354  
D773,686 S \* 12/2016 Moore ..... D24/227  
D777,435 S \* 1/2017 Hecht ..... D3/307  
D830,573 S \* 10/2018 Poirier ..... D24/224  
D838,857 S \* 1/2019 Blackwell ..... D24/184  
D851,277 S \* 6/2019 De Soto ..... D24/229  
D884,920 S \* 5/2020 Chase ..... D24/227  
D907,923 S \* 1/2021 Benlolo ..... D3/304  
D919,832 S \* 5/2021 Grigg ..... D24/232  
2002/0092871 A1 7/2002 Richkard et al.  
2004/0193170 A1 9/2004 Kempainen et al.  
2010/0094307 A1 4/2010 Evans et al.  
2011/0218513 A1 9/2011 Walker et al.  
2014/0324013 A1 10/2014 Shadeck et al.  
2016/0288161 A1 10/2016 Yi  
2020/0008853 A1 \* 1/2020 Deridder ..... A61B 17/8819

\* cited by examiner

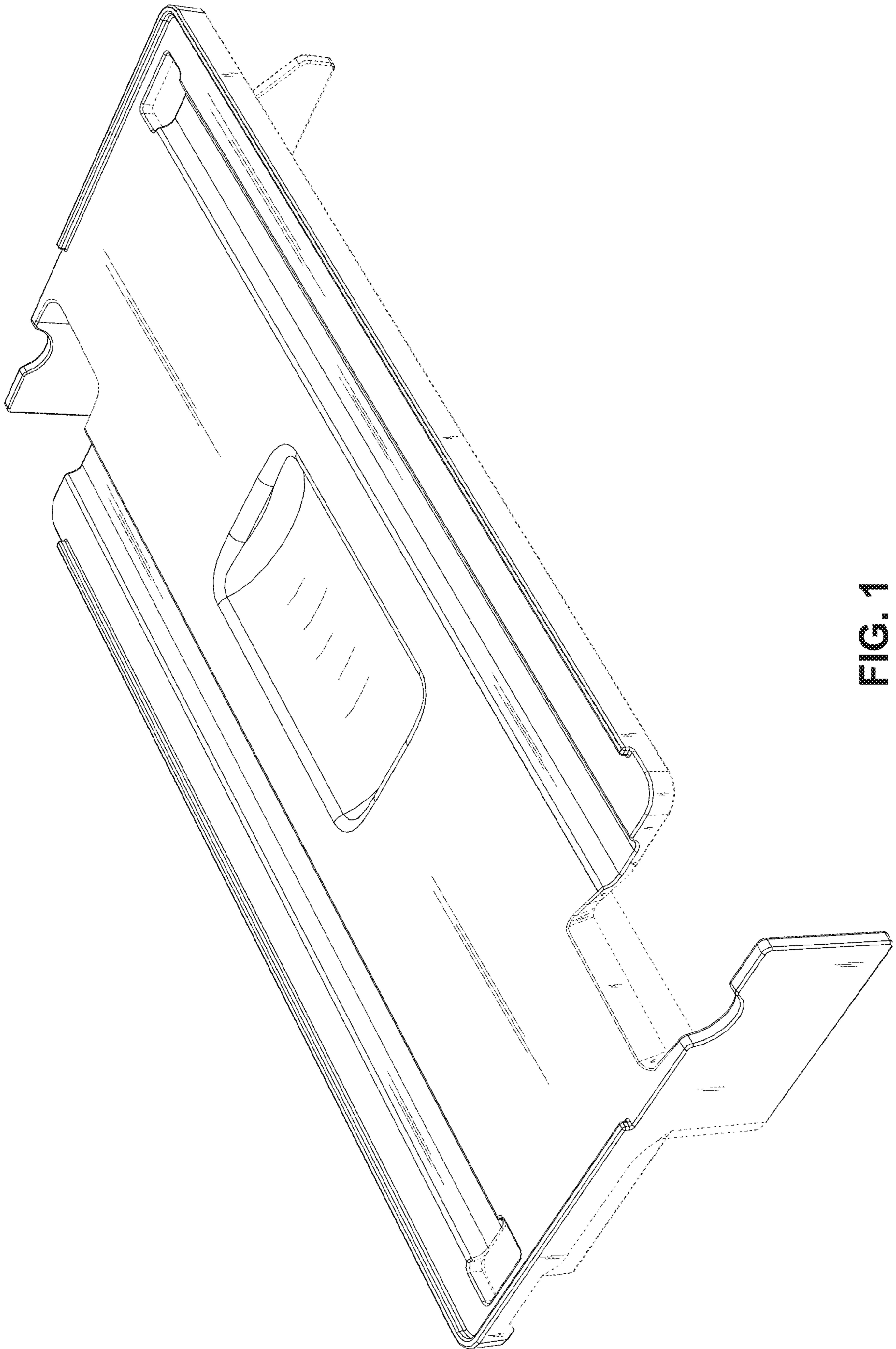
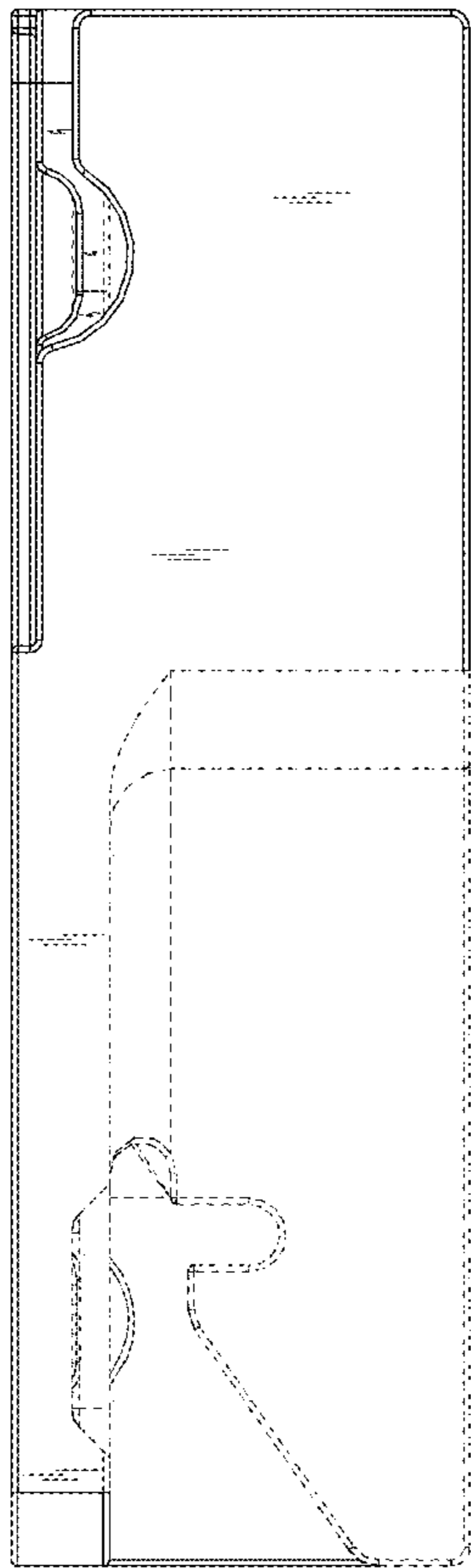
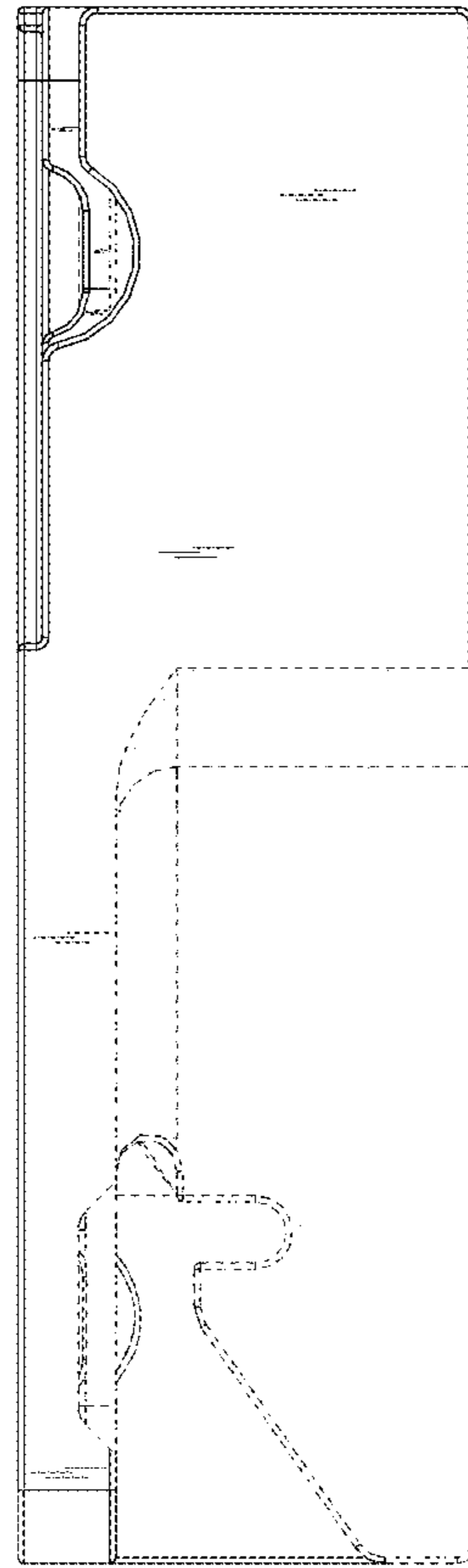


FIG. 1



**FIG. 2**



**FIG. 3**

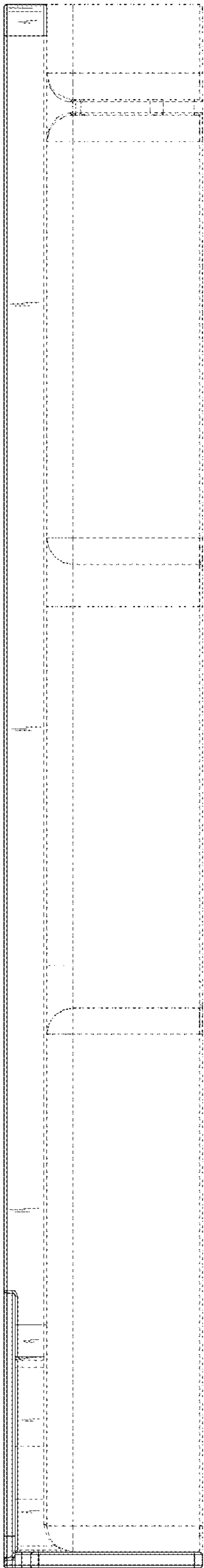


FIG. 4

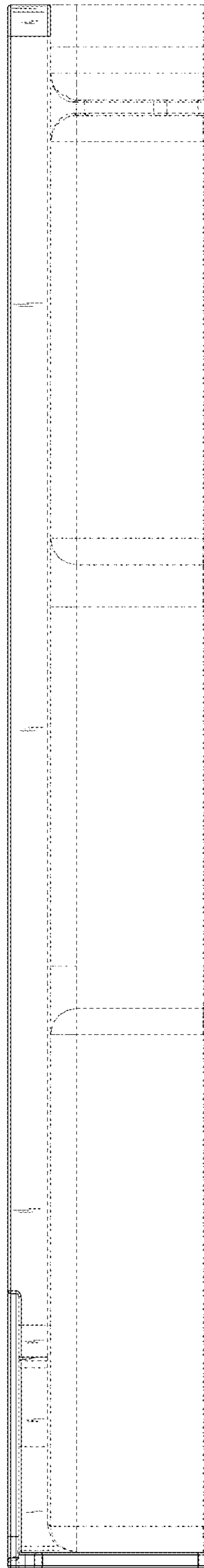


FIG. 5

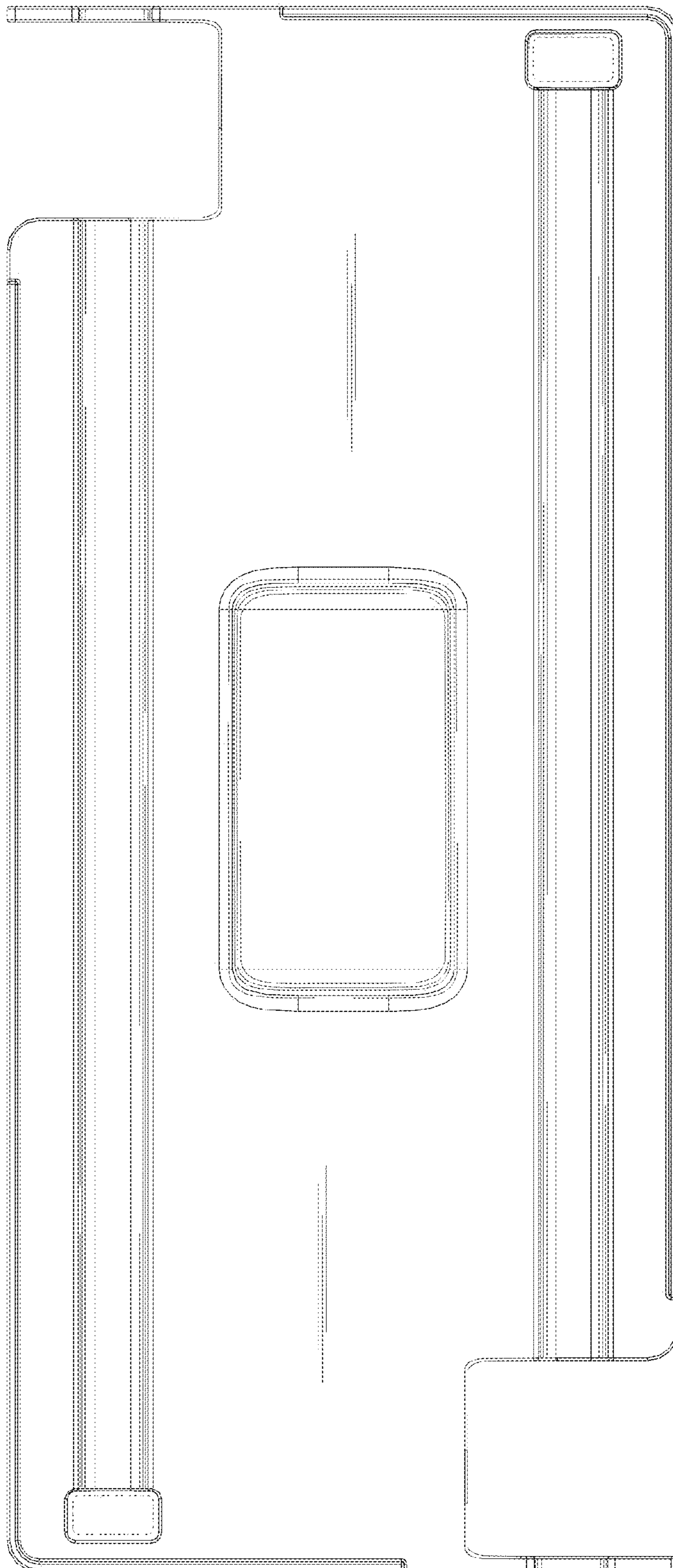


FIG. 6

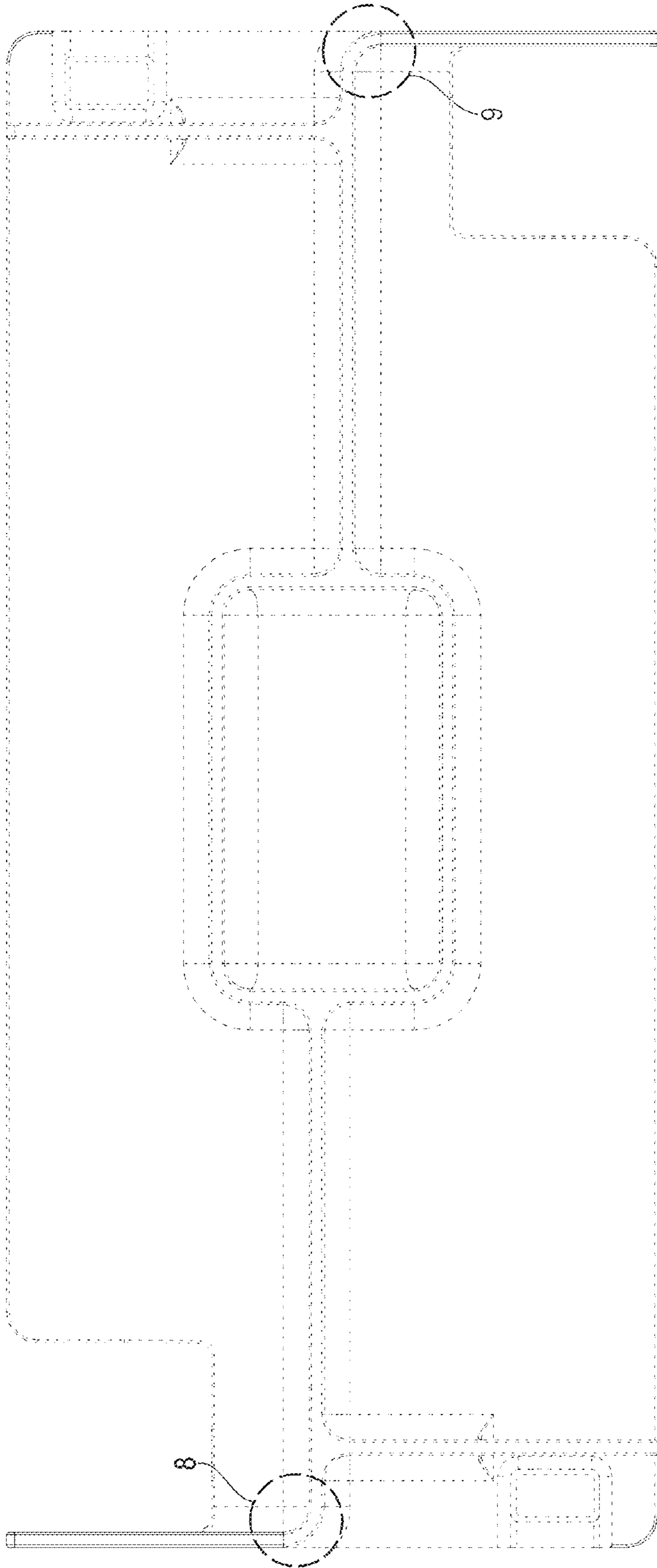


FIG. 7

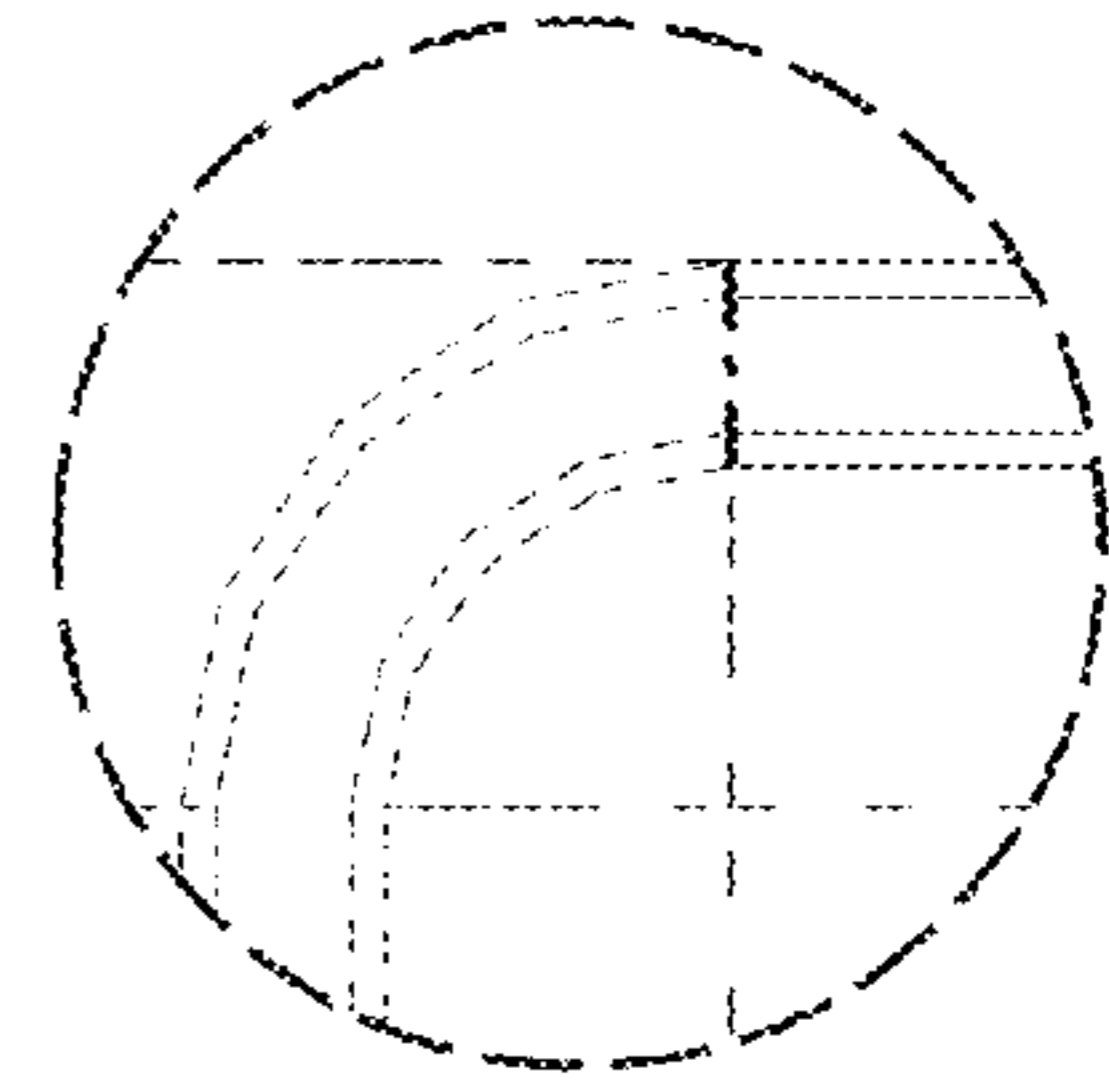


FIG. 9

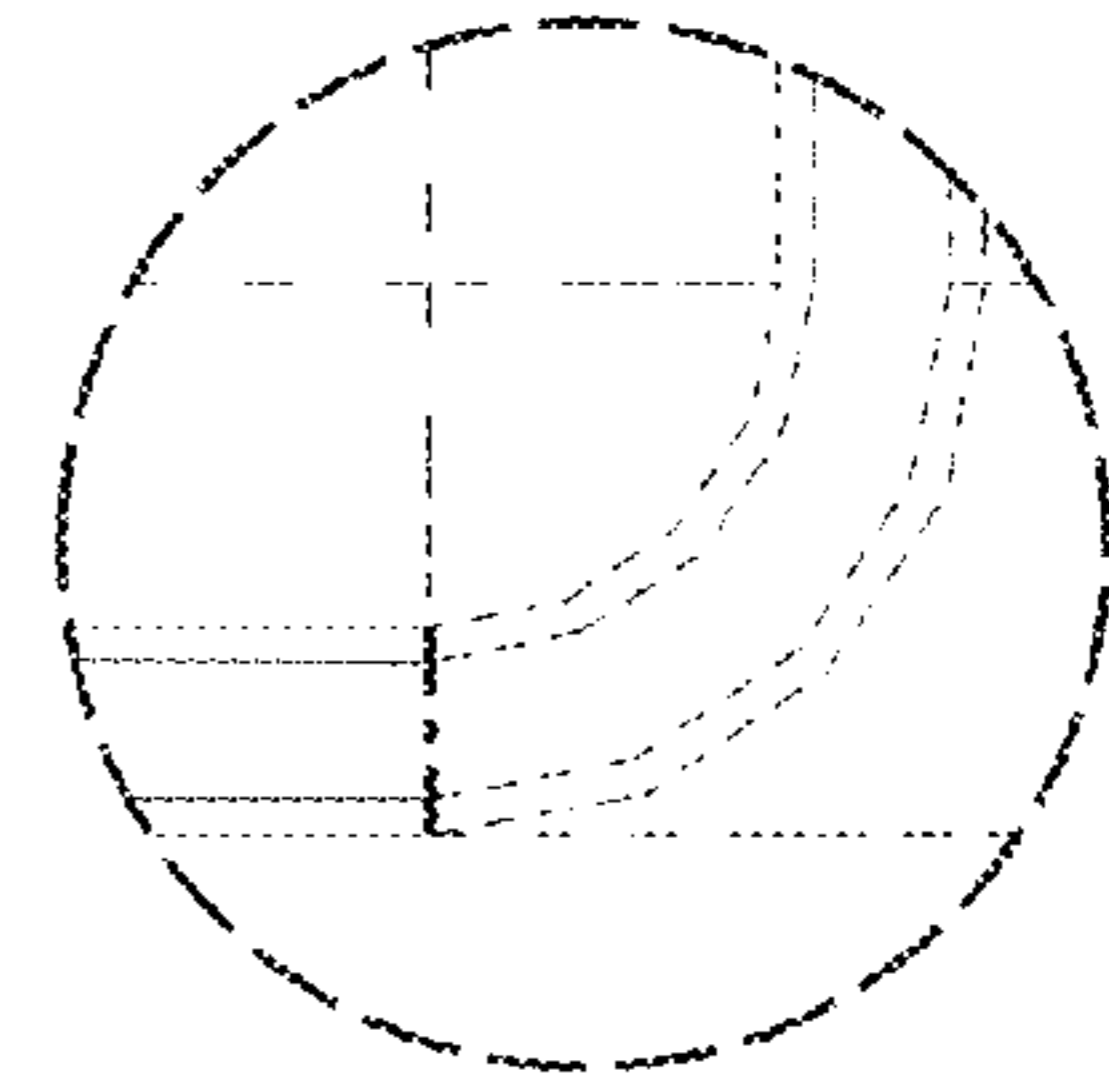


FIG. 8