



US00D952898S

(12) **United States Design Patent** (10) **Patent No.:** **US D952,898 S**  
**Wagatsuma et al.** (45) **Date of Patent:** **\*\* May 24, 2022**

(54) **CULTURE CONTAINER**

FOREIGN PATENT DOCUMENTS

(71) Applicant: **NIPRO CORPORATION**, Osaka (JP)

CN APN\_201730308519 3/2018  
JP APN\_D2011-23515 4/2013

(72) Inventors: **Yusuke Wagatsuma**, Osaka (JP);  
**Ryosuke Nakamura**, Osaka (JP);  
**Hideaki Yamamoto**, Osaka (JP);  
**Masafumi Yao**, Osaka (JP); **Masakatsu**  
**Takeuchi**, Osaka (JP); **Yoshihiro**  
**Yoshikawa**, Osaka (JP); **Shinya Asaka**,  
Osaka (JP); **Naoki Nakagawa**, Osaka  
(JP)

(Continued)

OTHER PUBLICATIONS

Millicell HY 5-layer cell culture flask, T-1000, sterile. Online,  
published date unknown. Retrieved on Feb. 1, 2022 from URL:  
<https://www.sigmaldrich.com/US/en/product/mm/pphys1008>.\*

(Continued)

(73) Assignee: **NIPRO CORPORATION**, Osaka (JP)

*Primary Examiner* — Omeed Agilee

(\*\*) Term: **15 Years**

(74) *Attorney, Agent, or Firm* — Birch, Stewart, Kolasch  
& Birch, LLP

(21) Appl. No.: **29/822,804**

(22) Filed: **Jan. 12, 2022**

**Related U.S. Application Data**

(62) Division of application No. 29/732,650, filed on Apr.  
27, 2020.

(30) **Foreign Application Priority Data**

Oct. 28, 2019 (JP) ..... 2019-023901  
Oct. 28, 2019 (JP) ..... 2019-023902

(Continued)

(51) **LOC (13) Cl.** ..... **24-02**

(52) **U.S. Cl.**  
USPC ..... **D24/224**

(58) **Field of Classification Search**  
USPC ..... D24/216, 223–227, 229–232; D9/537,  
D9/545, 549; D3/203.1, 203.2; D10/81  
(Continued)

(56) **References Cited**

U.S. PATENT DOCUMENTS

3,732,149 A 5/1973 Santero  
4,296,205 A 10/1981 Verma

(Continued)

(57) **CLAIM**

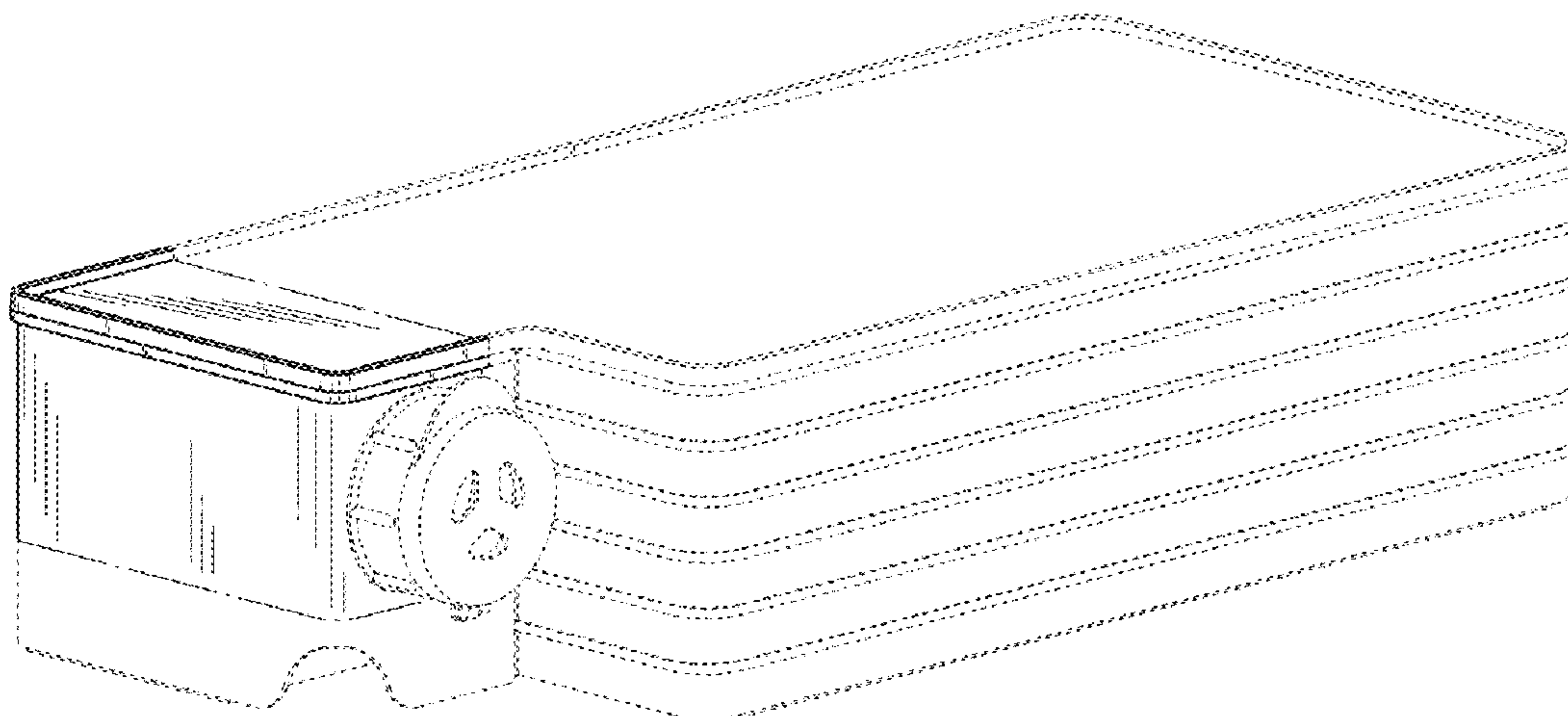
The ornamental design for a culture container, as shown and  
described.

**DESCRIPTION**

FIG. 1 is a front view of a culture container in accordance  
with the present design;  
FIG. 2 is a rear view thereof;  
FIG. 3 is a right side view thereof;  
FIG. 4 is a left side view thereof;  
FIG. 5 is a top view thereof;  
FIG. 6 is a bottom view thereof;  
FIG. 7 is a first perspective view thereof;  
FIG. 8 is a second perspective view thereof; and,  
FIG. 9 is a cross sectional view taken along line 9-9 of FIG.  
1.

The dash lines in the drawings depict portions of the culture  
container that form no part of the claimed design. The dot  
dash broken lines depict the boundaries of the claim and  
form no part thereof.

**1 Claim, 5 Drawing Sheets**



(30) **Foreign Application Priority Data**

Oct. 28, 2019 (JP) ..... 2019-023903  
 Oct. 28, 2019 (JP) ..... 2019-023943  
 Oct. 28, 2019 (JP) ..... 2019-023944  
 Oct. 28, 2019 (JP) ..... 2019-023945

(58) **Field of Classification Search**

CPC .. B01L 3/0275; B01L 3/5085; B01L 3/50825;  
 C12M 23/10; C12M 23/12; C12M 23/40;  
 C12M 23/04

See application file for complete search history.

(56) **References Cited**

U.S. PATENT DOCUMENTS

6,492,163 B1 12/2002 Yoo et al.  
 D663,946 S 7/2012 Powers  
 8,809,044 B2 8/2014 Wilson  
 D797,439 S 9/2017 Harper, IV et al.  
 D927,725 S 8/2021 Irie et al.  
 2002/0039785 A1\* 4/2002 Schroeder ..... C12M 23/08  
 435/297.5  
 2008/0003671 A1\* 1/2008 Martin ..... C12M 23/08  
 435/304.3  
 2009/0298163 A1\* 12/2009 Bennett ..... C12M 23/34  
 435/297.1  
 2013/0196315 A1\* 8/2013 Chilosi ..... C12Q 1/04  
 435/7.1

2014/0120607 A1\* 5/2014 Abraham ..... C12M 23/34  
 435/289.1  
 2014/0120608 A1\* 5/2014 Carter ..... C12M 23/40  
 435/289.1  
 2016/0115434 A1 4/2016 Pankratz et al.  
 2018/0223238 A1\* 8/2018 Shen ..... C12M 35/06  
 2018/0229241 A1\* 8/2018 Bishop ..... C12M 41/00  
 2019/0010437 A1\* 1/2019 Yuan ..... C12M 29/10  
 2019/0010442 A1 1/2019 Jäger et al.  
 2020/0181553 A1\* 6/2020 Goral ..... C12M 23/08  
 2021/0189314 A1 6/2021 Martin et al.

FOREIGN PATENT DOCUMENTS

JP D1469470 S 5/2013  
 JP APN\_D2018-15323 4/2019  
 JP D1628690 S 4/2019  
 KR 3020140061326 \* 12/2015

OTHER PUBLICATIONS

5 Layer, 870cm<sup>2</sup> Cell Culture Multi-Layer Flask, Vent Cap, Tissue Culture Treated, RNase and DNase Free, Individually Wrapped, Sterile, 1/Pk, 8/Cs; Stellar Scientific, p. 1-1.  
 Japanese Office Action dated Sep. 29, 2020 for Application No. 2019-023901 with an English translation.

\* cited by examiner

FIG.1

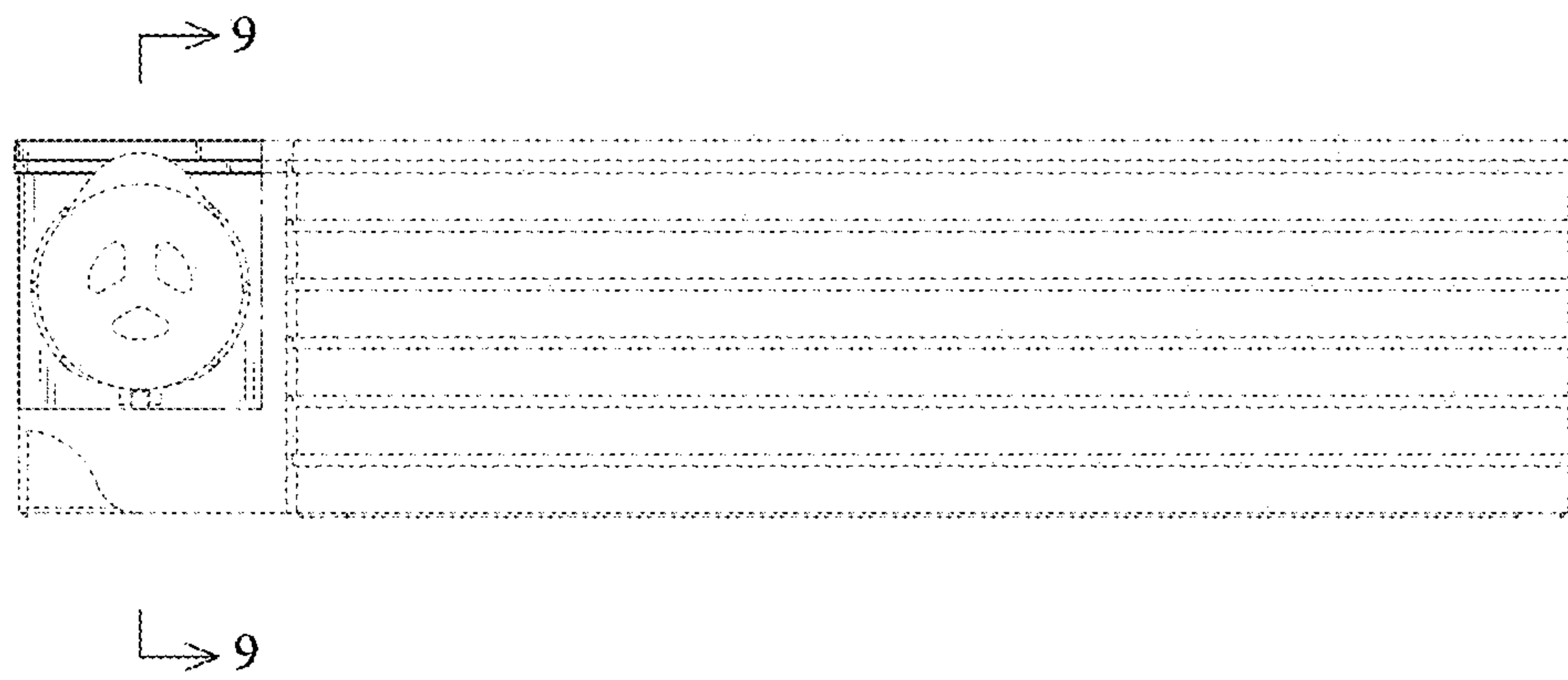


FIG.2



FIG.3



FIG.4

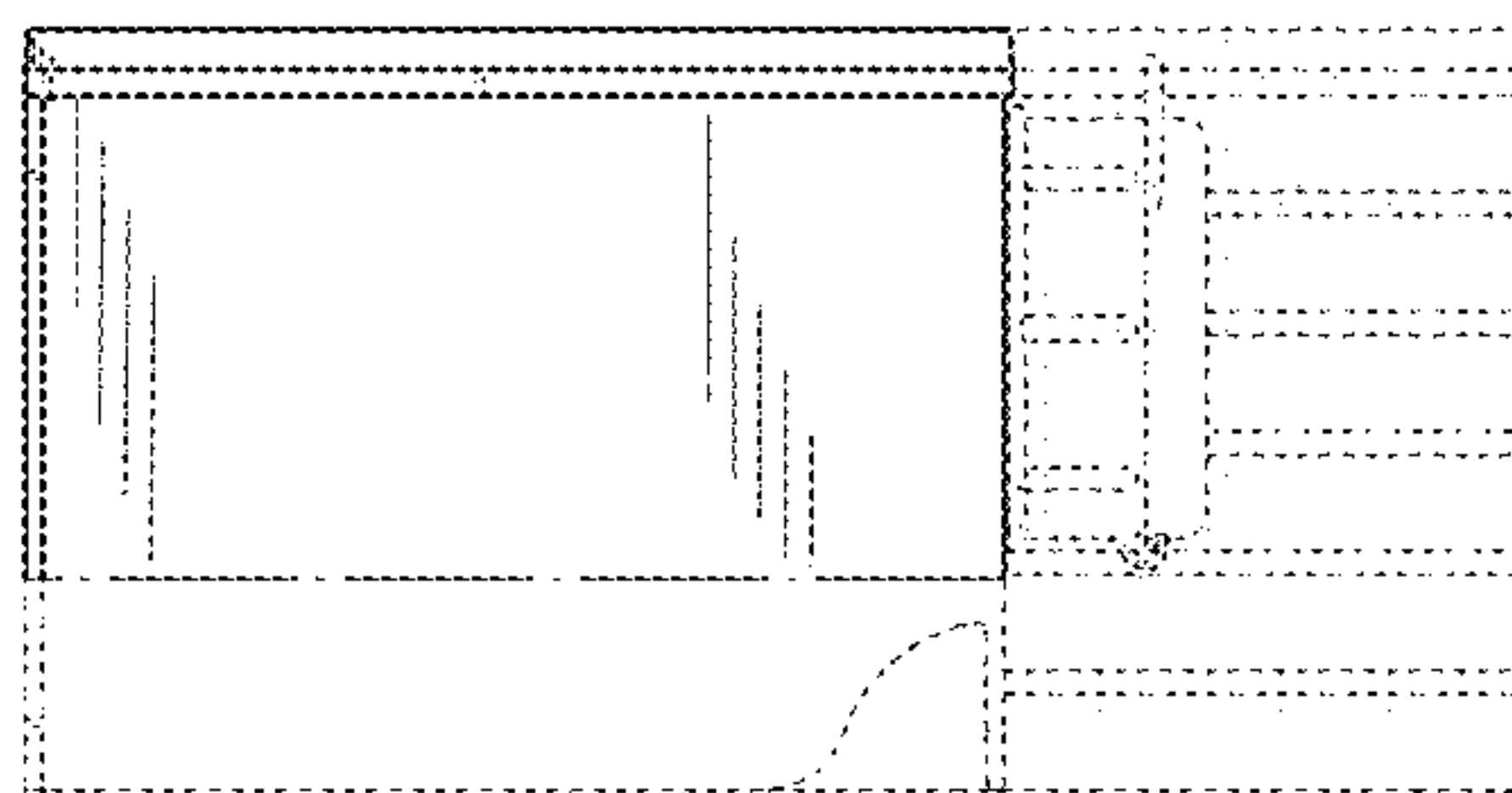


FIG.5



FIG.6





FIG.7

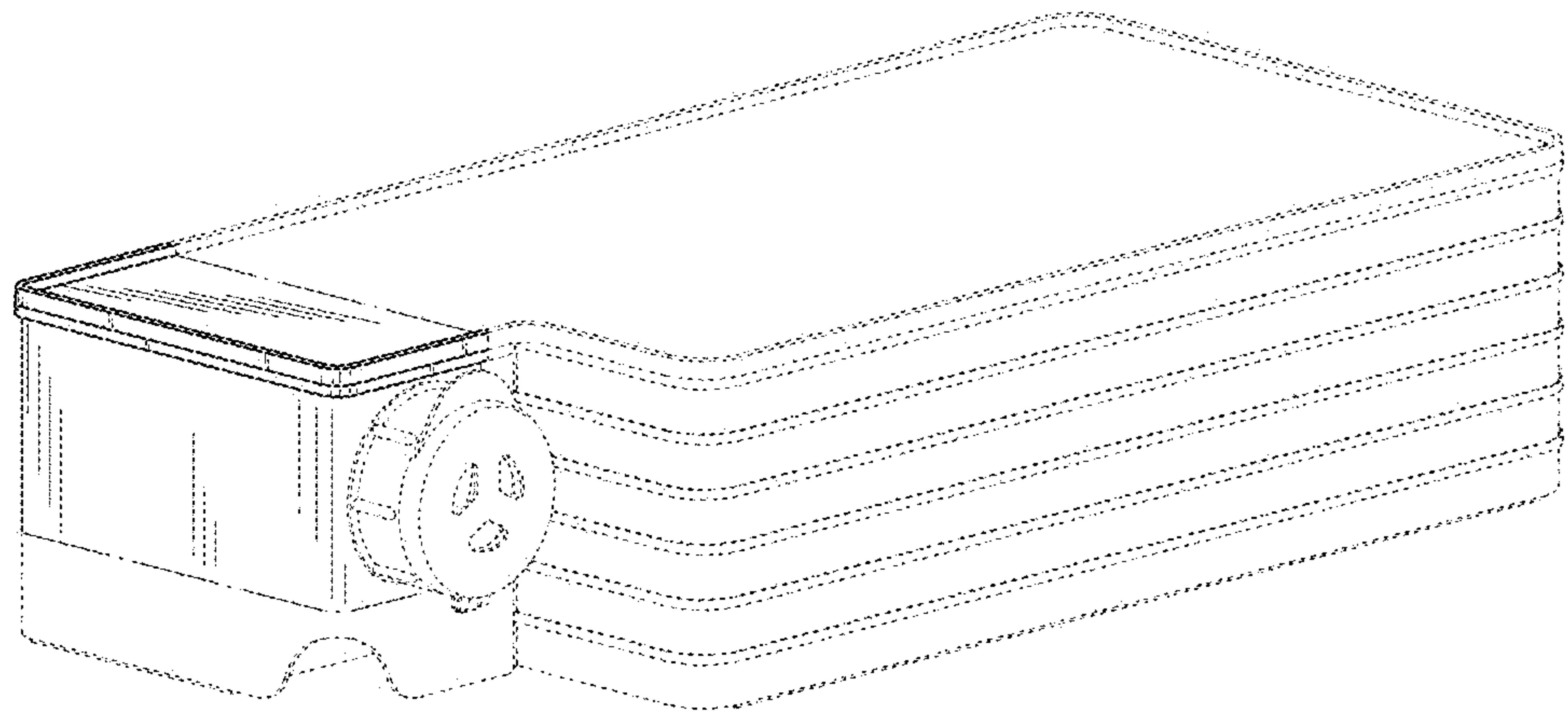


FIG.8

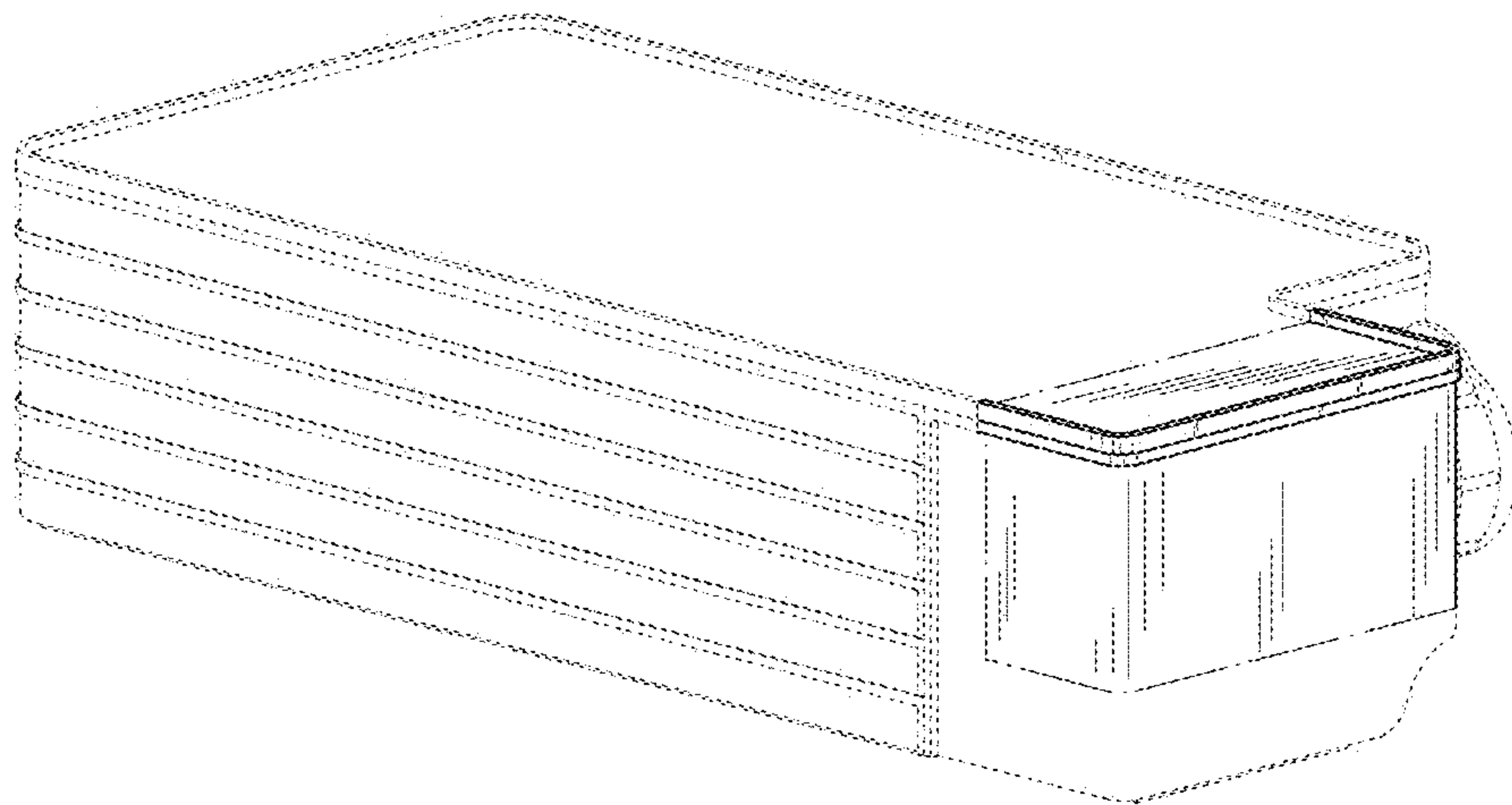


FIG.9

