



US00D952897S

(12) **United States Design Patent** (10) **Patent No.:** **US D952,897 S**  
**Decaluwé et al.** (45) **Date of Patent:** **\*\* May 24, 2022**

(54) **COLLECTION TUBE FOR LABORATORY ANALYSIS**

(71) Applicant: **Allflex Europe SAS**, Vitre (FR)

(72) Inventors: **Johan Decaluwé**, Laval (FR); **Bruno Teychene**, Mouzieys-Teulet (FR)

(73) Assignee: **ALLFLEX EUROPE SAS**, Vitre (FR)

(\*\*) Term: **15 Years**

(21) Appl. No.: **29/741,830**

(22) Filed: **Jul. 16, 2020**

(30) **Foreign Application Priority Data**

May 28, 2020 (EM) ..... 007974191-0001

(51) **LOC (13) Cl.** ..... **24-02**

(52) **U.S. Cl.**  
USPC ..... **D24/224**

(58) **Field of Classification Search**  
USPC ..... D24/107, 121–123, 216–217, 219, D24/223–227, 229–231, 232; D9/504, D9/516, 519, 529, 549, 574, 715, 719; D3/201, 203.1, 203.2  
CPC ... B29C 65/665; A61B 10/0045; A61B 5/154; A61J 1/1468; B01L 3/50825; B65D 41/04  
See application file for complete search history.

(56) **References Cited**

**U.S. PATENT DOCUMENTS**

4,020,975 A \* 5/1977 Stauffer ..... A47K 5/1211  
222/93  
D308,475 S \* 6/1990 Gastwirt ..... D9/529  
D337,271 S \* 7/1993 Pezzoli ..... D9/453  
D457,452 S \* 5/2002 Christiansen ..... D10/96  
D500,773 S \* 1/2005 Colson ..... D15/144  
D605,765 S \* 12/2009 Gaab ..... D24/146  
D640,796 S \* 6/2011 Wilkinson ..... D24/224  
D672,463 S \* 12/2012 Saad ..... D24/138  
D802,121 S \* 11/2017 Hamilton ..... D24/122

D868,254 S \* 11/2019 Lintula ..... D24/155  
D881,410 S \* 4/2020 Motadel ..... D24/224  
D931,730 S \* 9/2021 Suid ..... D9/504  
2014/0249449 A1 9/2014 Hilpert et al.  
2016/0007567 A1\* 1/2016 Decaluwe ..... A01K 11/003  
600/564  
2020/0071148 A1\* 3/2020 Lin ..... B67B 3/2066

**FOREIGN PATENT DOCUMENTS**

JP D2004-33877 \* 9/2005  
WO WO 2010/070130 6/2010  
WO WO 2017/153865 9/2017

**OTHER PUBLICATIONS**

Tissue Sampling. Online, published date unknown. Retrieved on Sep. 30, 2021 from URL: <https://www.allflex.global/product/tissue-sampling/>.\*

\* cited by examiner

*Primary Examiner* — Omeed Agilee  
(74) *Attorney, Agent, or Firm* — Hahn Loeser & Parks LLP

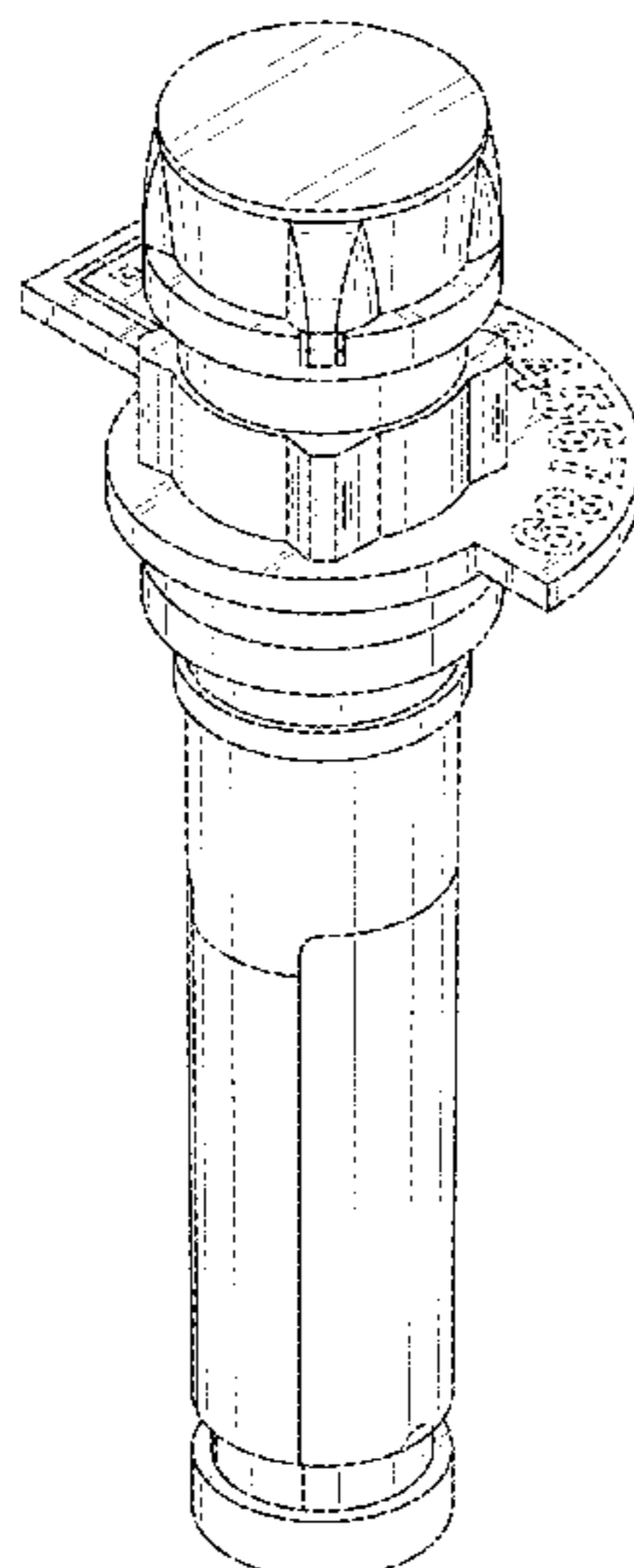
(57) **CLAIM**

The ornamental design for a collection tube for laboratory analysis, as shown and described.

**DESCRIPTION**

FIG. 1 is a front view of a collection tube for laboratory analysis showing the new design;  
FIG. 2 is a rear view thereof;  
FIG. 3 is a right side view thereof;  
FIG. 4 is a left side view thereof;  
FIG. 5 is a bottom view thereof;  
FIG. 6 is a top view thereof; and,  
FIG. 7 is a perspective view thereof.  
The broken lines in the drawings depict portions of the collection tube for laboratory analysis that form no part of the claimed design.

**1 Claim, 7 Drawing Sheets**



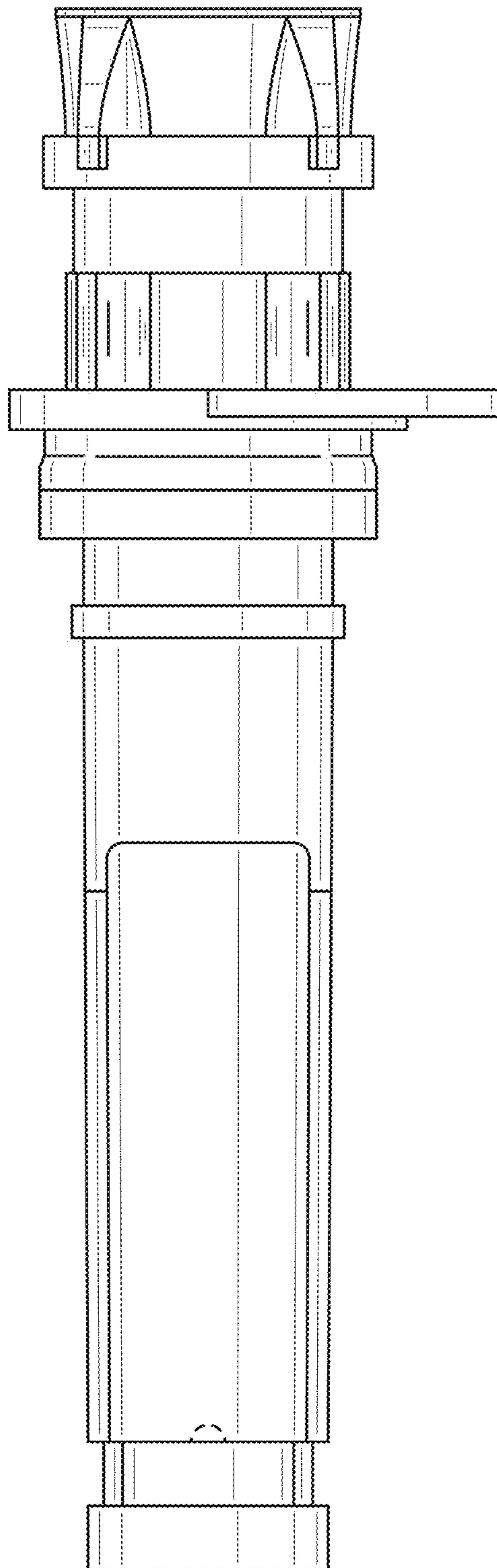


FIG. 1

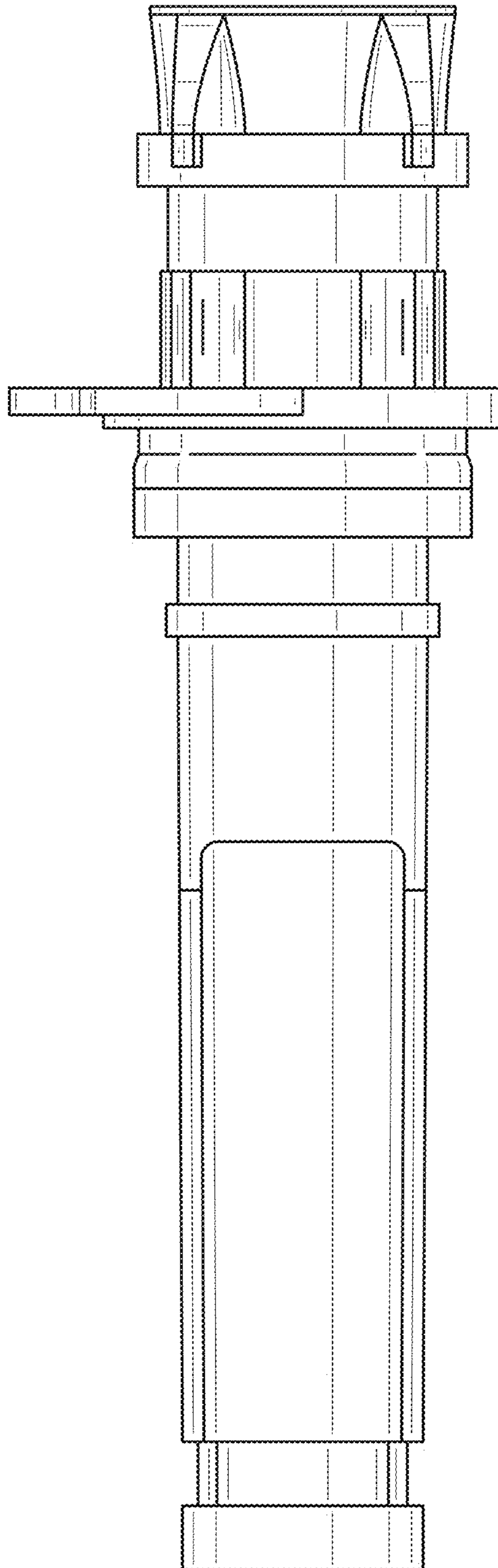


FIG. 2

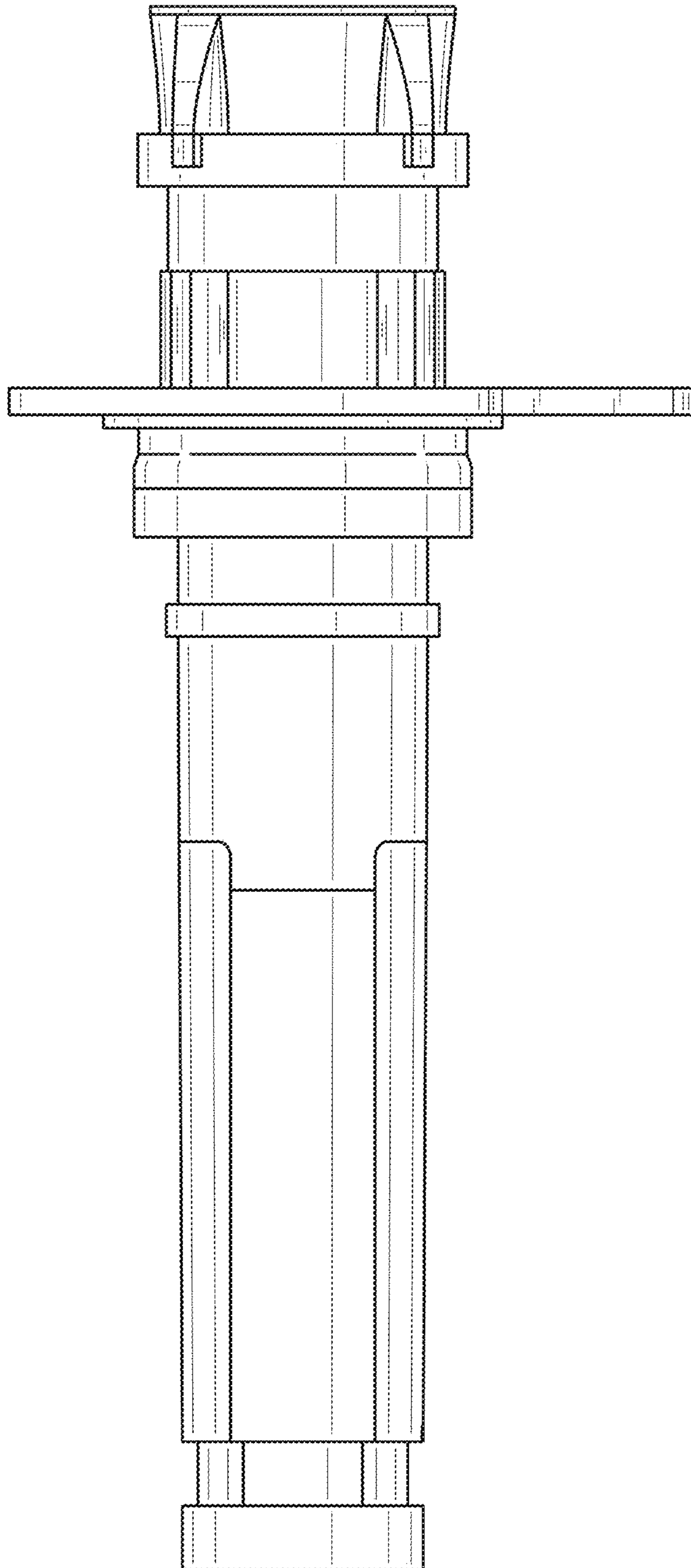


FIG. 3

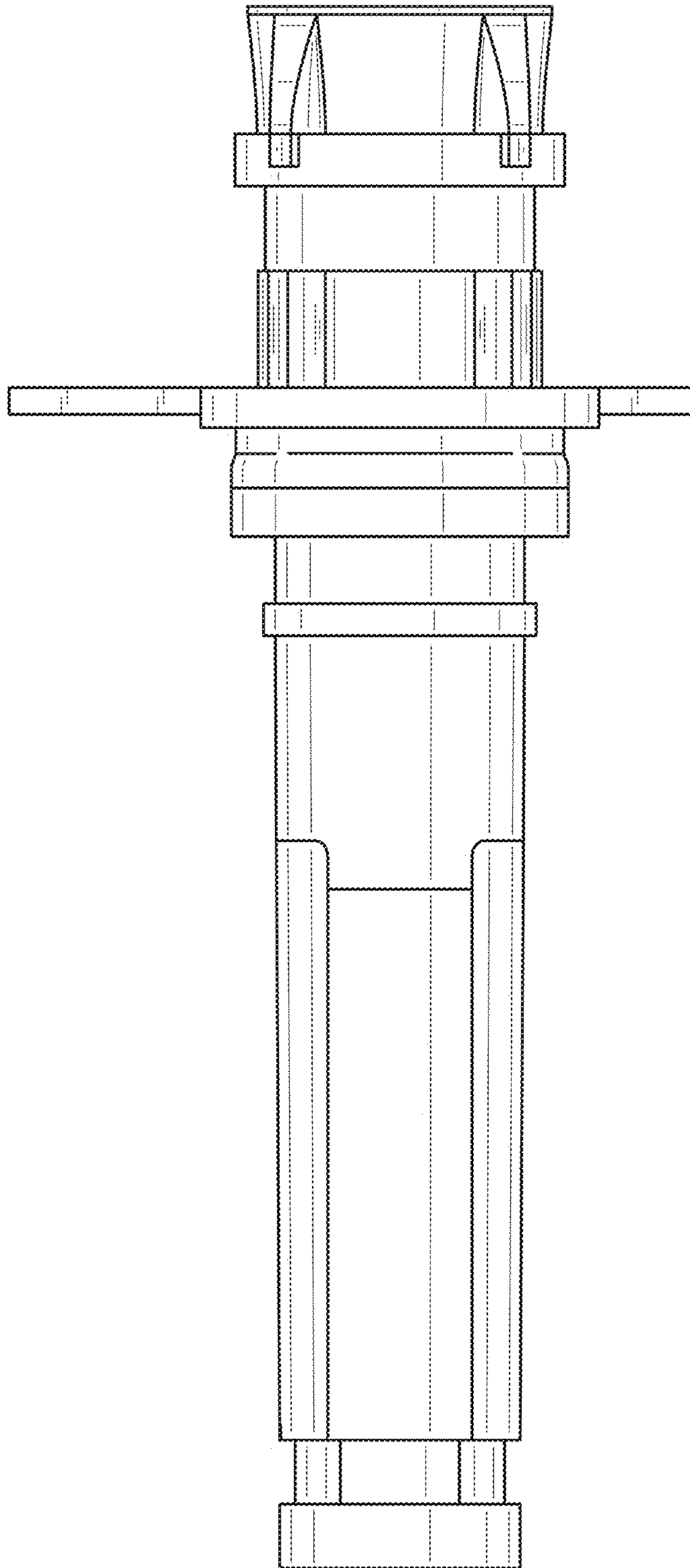


FIG. 4

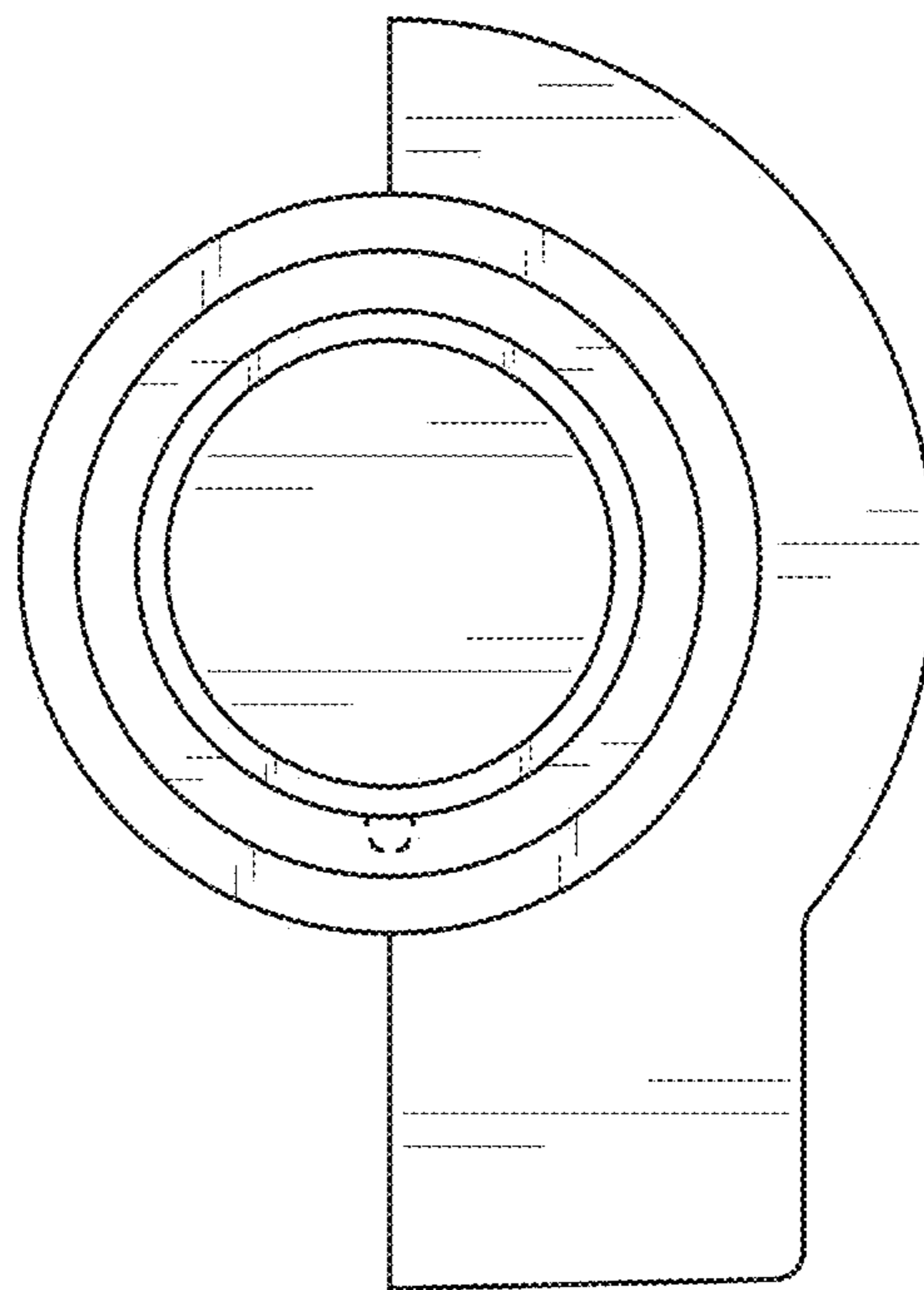


FIG. 5

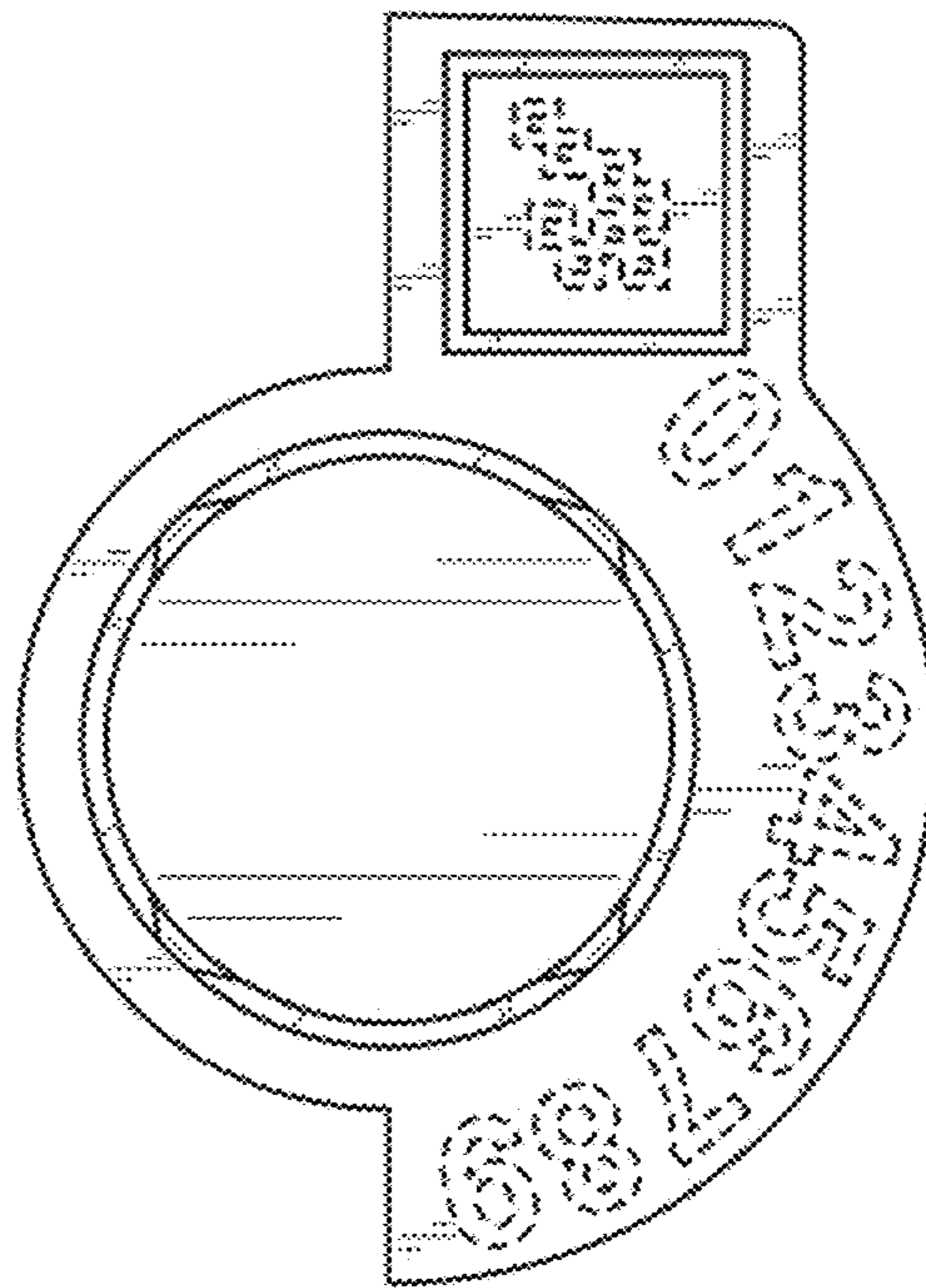


FIG. 6

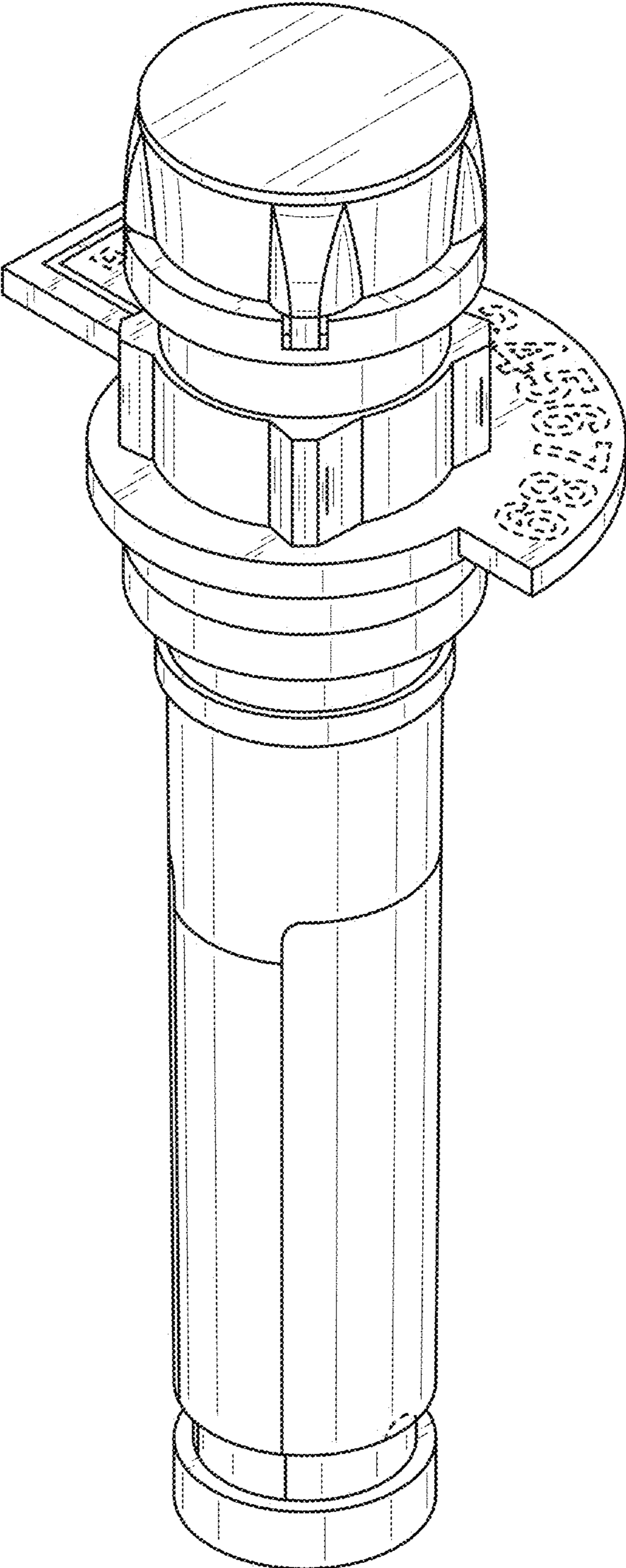


FIG. 7