



US00D952895S

(12) **United States Design Patent**  
**Yang**

(10) **Patent No.:** **US D952,895 S**  
(45) **Date of Patent:** **\*\* May 24, 2022**

(54) **STERILIZER**  
(71) Applicant: **SHENZHEN ANTOP TECHNOLOGY CO., LTD**, Shenzhen (CN)  
(72) Inventor: **Ruidian Yang**, Shenzhen (CN)  
(73) Assignee: **SHENZHEN ANTOP TECHNOLOGY CO., LTD**, Shenzhen (CN)

D613,391 S \* 4/2010 Schwartz ..... D23/366  
7,914,596 B2 \* 3/2011 Miyazaki ..... A61L 9/16  
55/471  
D648,856 S \* 11/2011 Landauer ..... D24/185  
D717,965 S \* 11/2014 Sanga ..... D24/217  
D792,958 S \* 7/2017 Williams ..... D23/364  
D803,368 S \* 11/2017 Priester ..... D23/364  
D895,093 S \* 9/2020 Nakamura ..... D23/364  
D896,398 S \* 9/2020 Liu ..... D24/217  
2005/0175512 A1 \* 8/2005 Yuen ..... A61L 9/16  
422/121  
2014/0245866 A1 \* 9/2014 Hadlock ..... A61L 2/10  
81/9.2

(\*\*) Term: **15 Years**

\* cited by examiner

(21) Appl. No.: **29/762,391**

*Primary Examiner* — Anhdao Doan

(22) Filed: **Dec. 16, 2020**

(74) *Attorney, Agent, or Firm* — Avek IP, LLC; Kent R. Erickson

(30) **Foreign Application Priority Data**

Nov. 13, 2020 (CN) ..... 202030687900.4

(51) **LOC (13) Cl.** ..... **24-01**

(57) **CLAIM**

(52) **U.S. Cl.**  
USPC ..... **D24/217; D23/364**

The ornamental design for a sterilizer, as shown and described.

(58) **Field of Classification Search**  
USPC ..... D24/107, 209, 210, 216, 217, 218, 231, D24/232, 234; D32/1, 25; D23/355, D23/364, 365  
CPC ..... A61L 2/10; A61L 2/24; A61L 2202/16; A61L 2202/25; A61L 2202/14; A61L 9/02; A61L 9/03; A61L 9/12; A61L 9/16; F24F 8/10  
See application file for complete search history.

**DESCRIPTION**

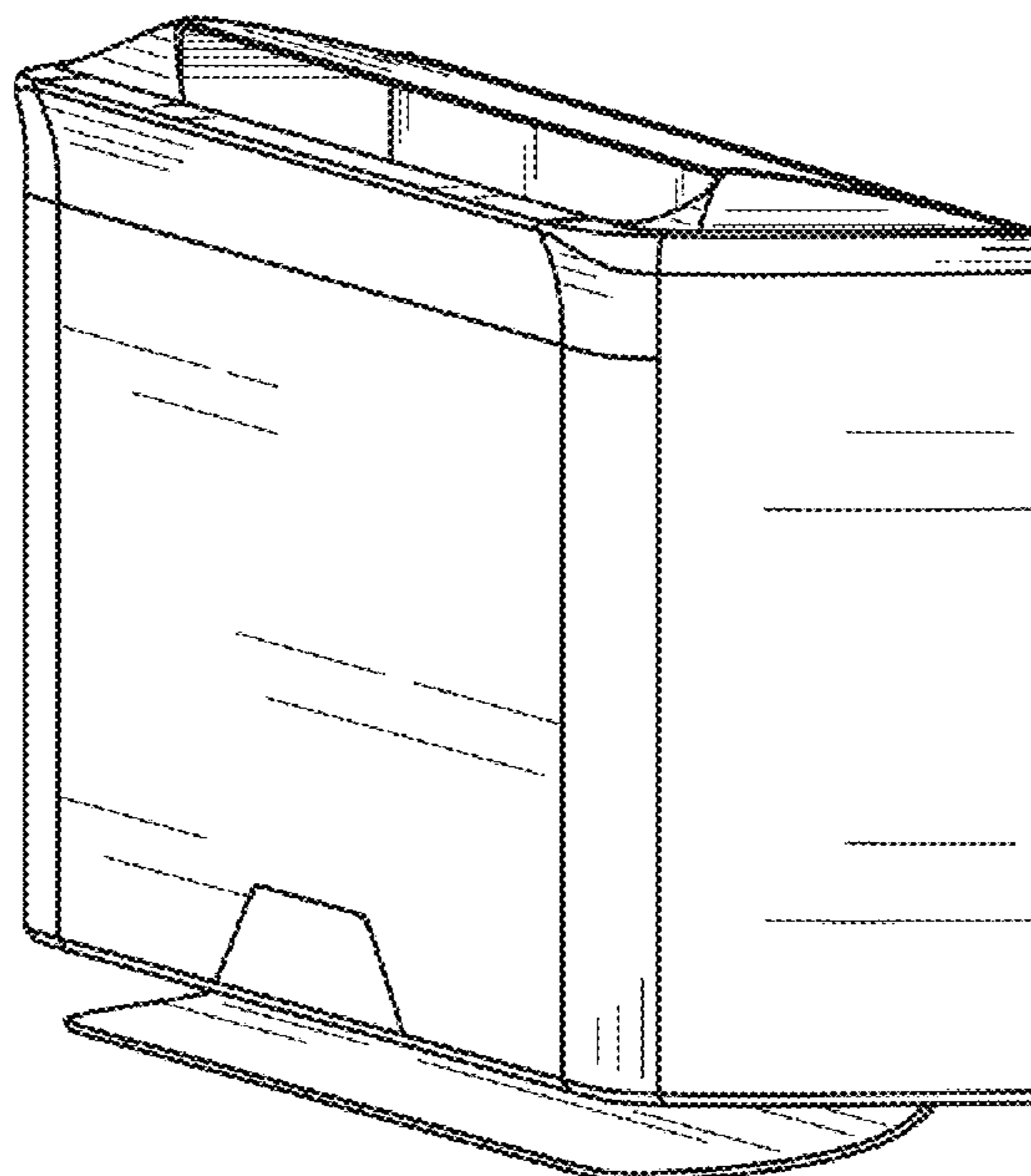
FIG. 1 is a front perspective view of a sterilizer of the present invention;  
FIG. 2 is a rear perspective view thereof;  
FIG. 3 is a front elevational view thereof;  
FIG. 4 is a rear elevational view thereof;  
FIG. 5 is a left-side elevational view thereof;  
FIG. 6 is a right-side elevational view thereof;  
FIG. 7 is a top plan view thereof; and,  
FIG. 8 is a bottom plan view thereof.

(56) **References Cited**

**U.S. PATENT DOCUMENTS**

4,877,990 A \* 10/1989 Fiorenzano, Jr. .... A61L 9/16  
392/485  
D550,826 S \* 9/2007 Murai ..... D23/364

**1 Claim, 8 Drawing Sheets**



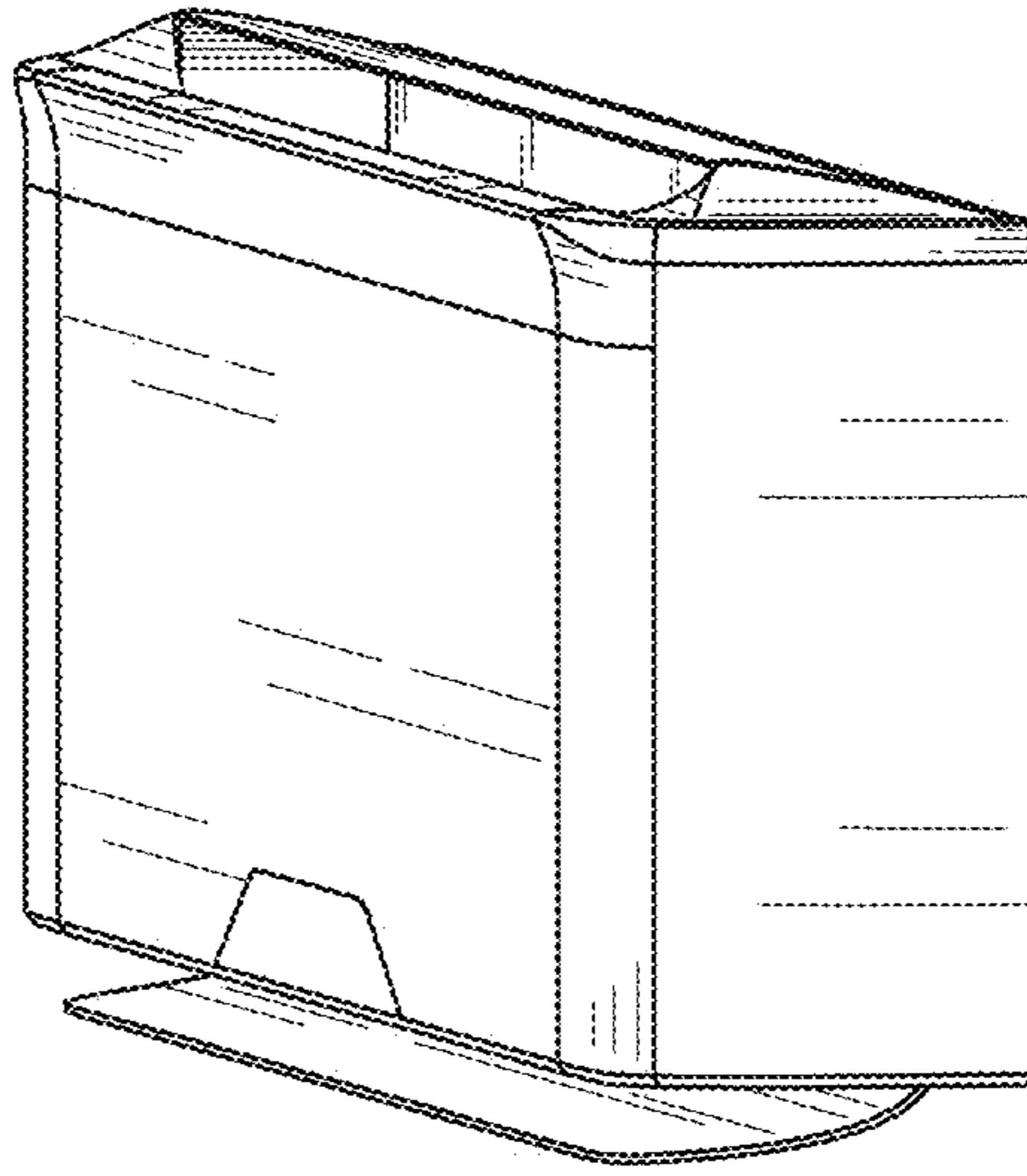


FIG. 1

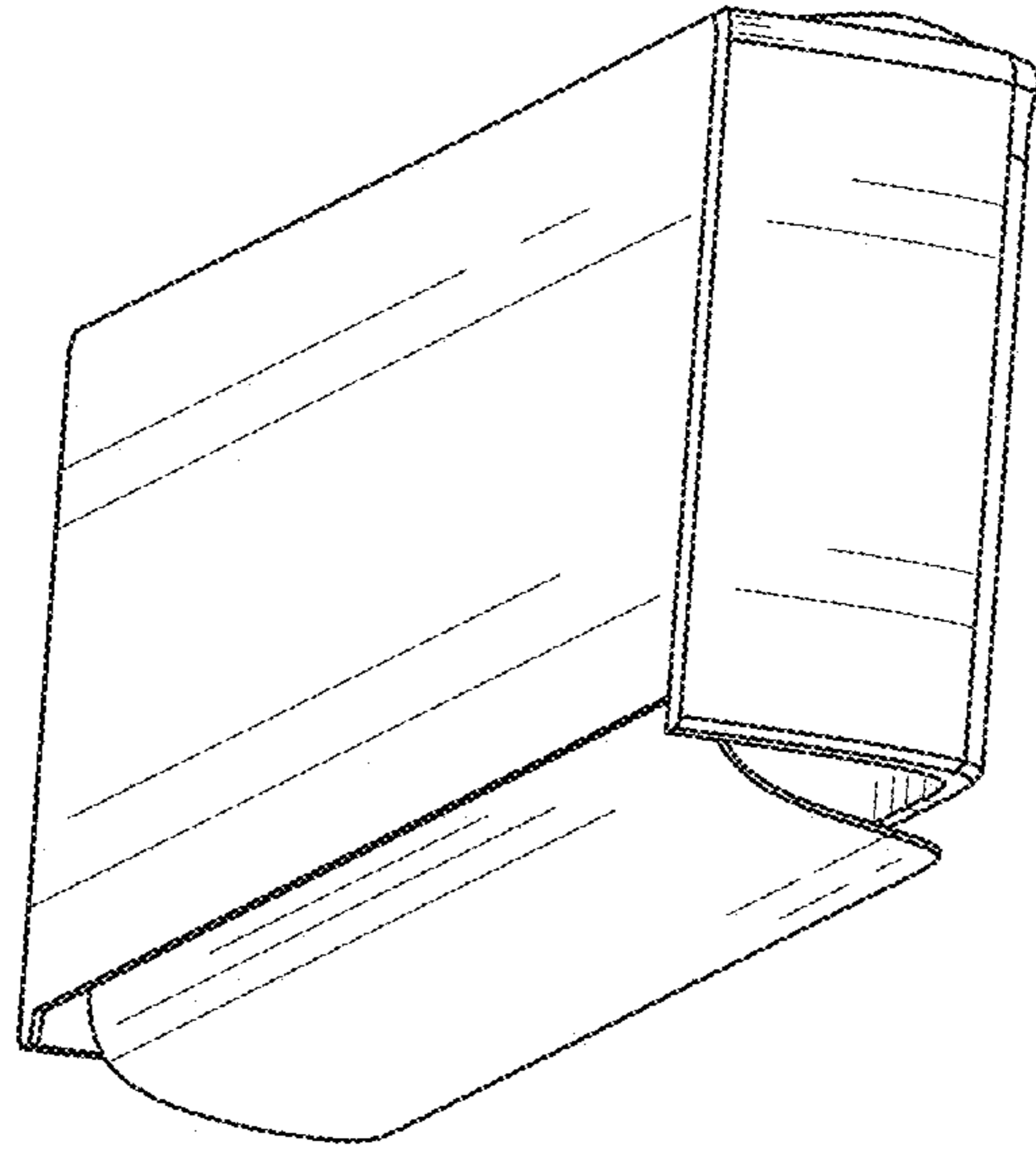


FIG. 2

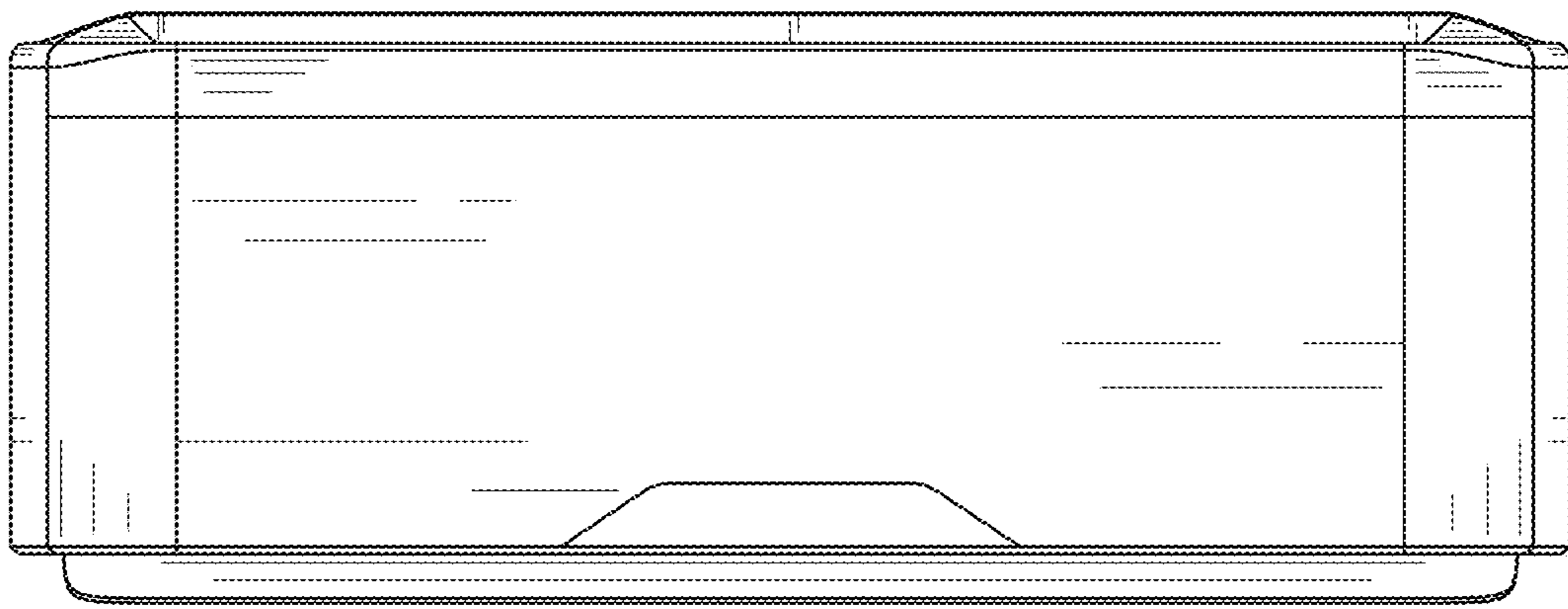


FIG. 3

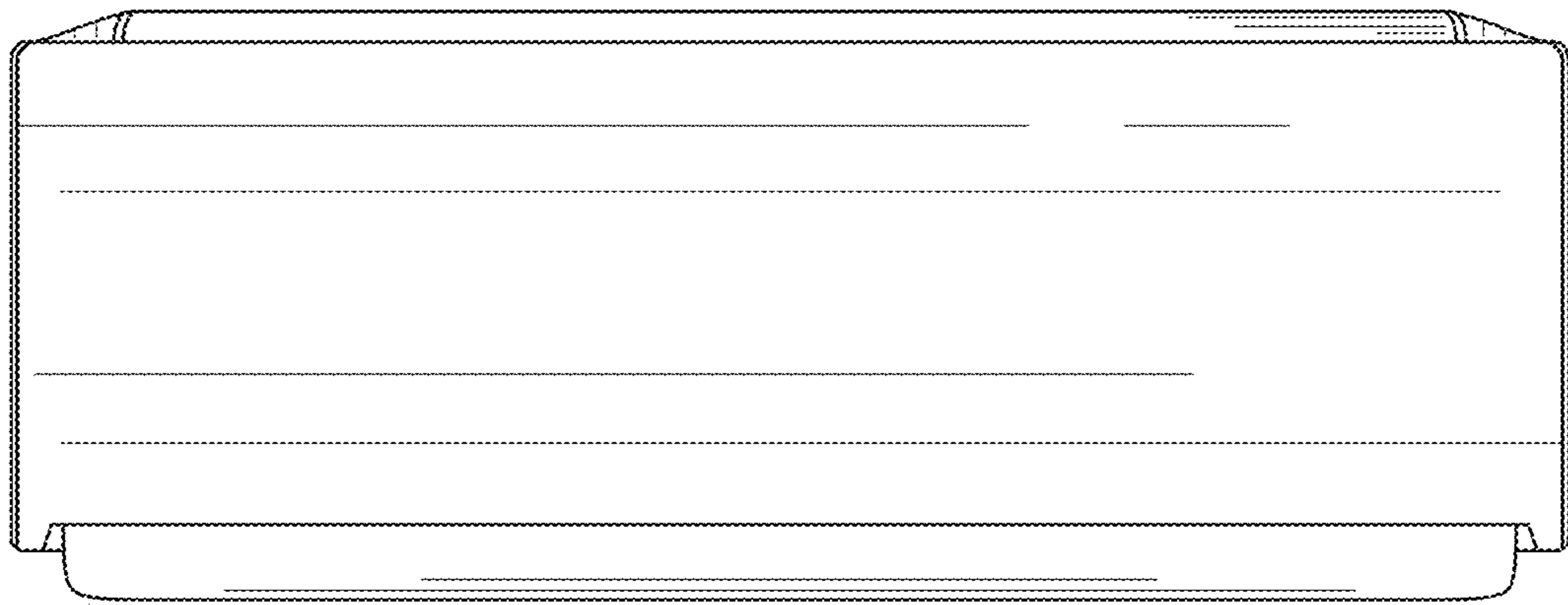


FIG. 4

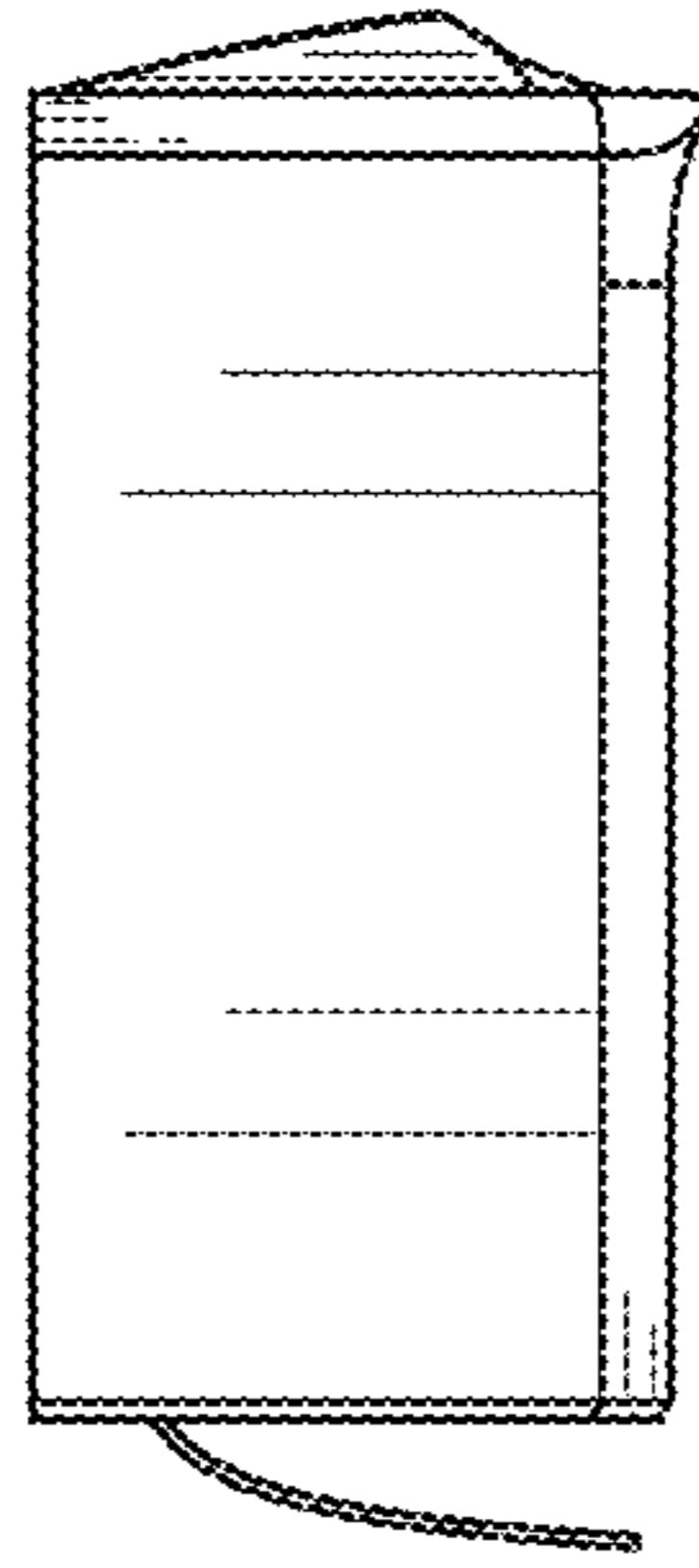


FIG. 5

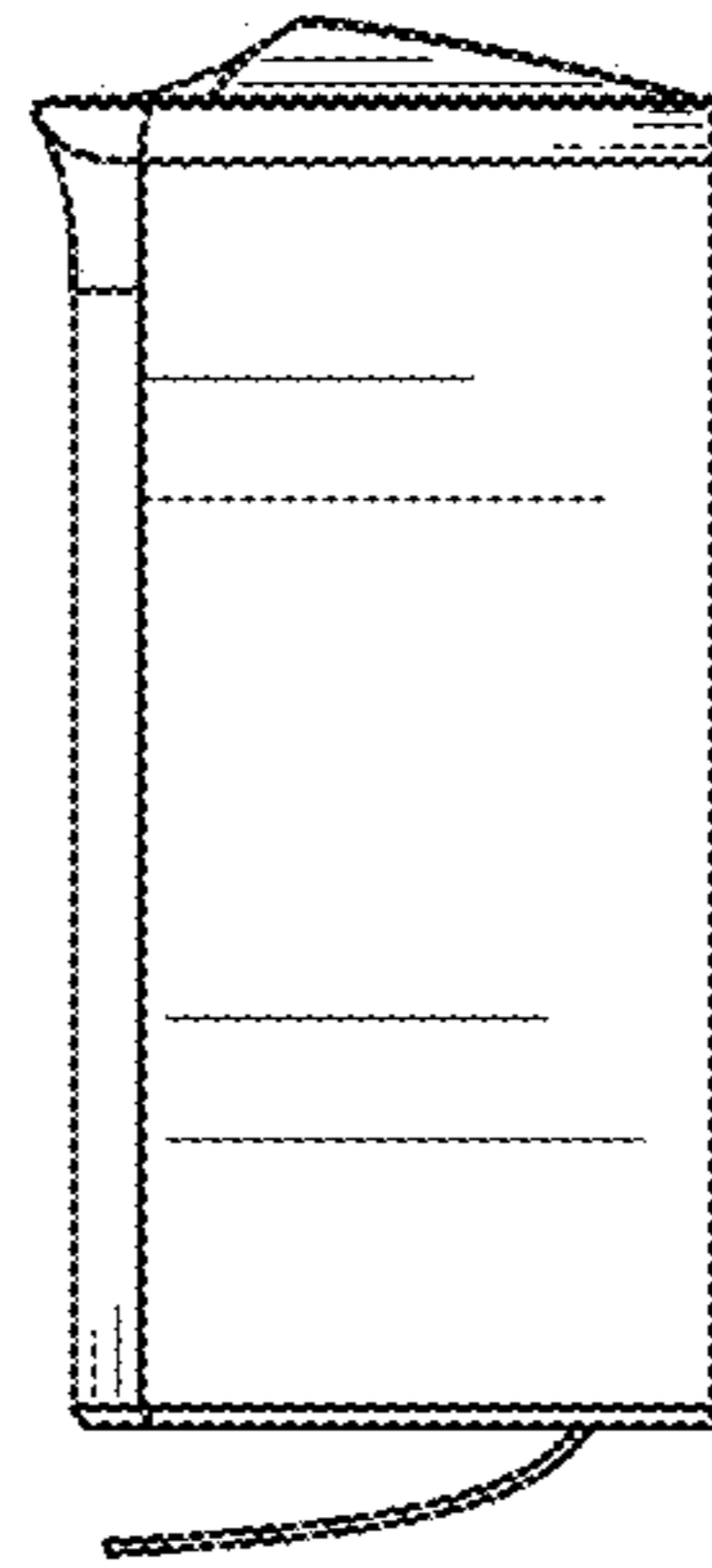


FIG. 6

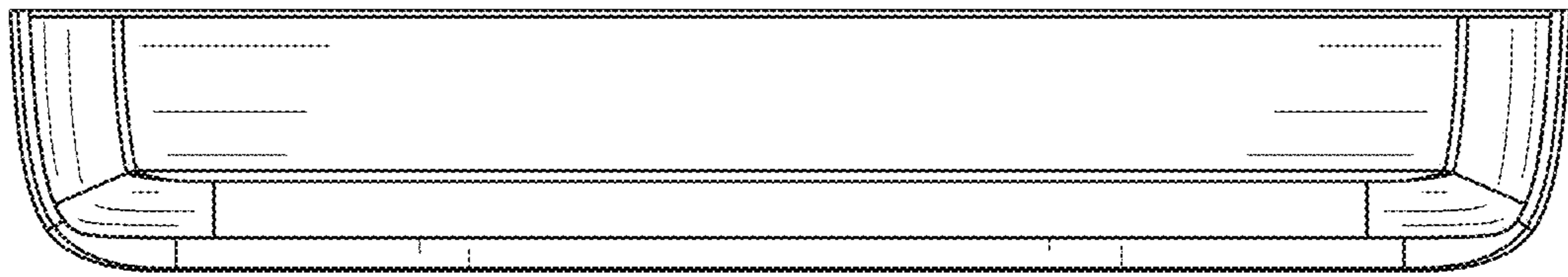


FIG. 7



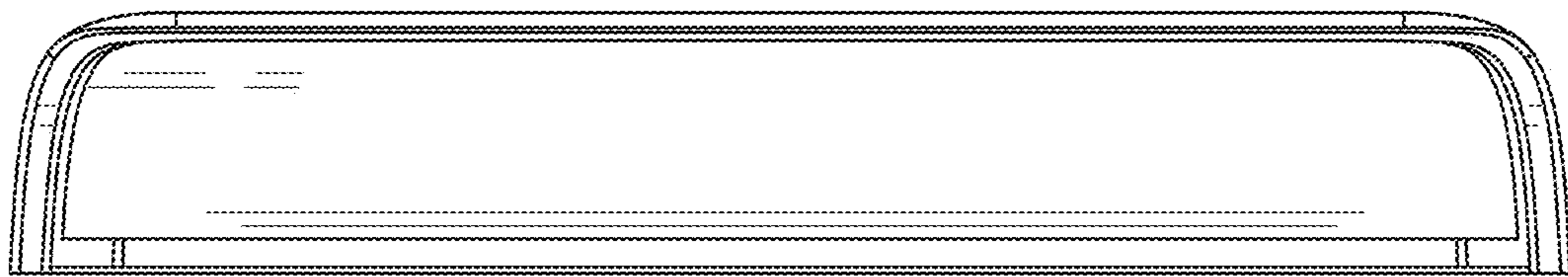


FIG. 8