



US00D952894S

(12) **United States Design Patent**
Zhang

(10) **Patent No.:** **US D952,894 S**

(45) **Date of Patent:** **** May 24, 2022**

(54) **STERILIZER**

(71) Applicant: **Shenzhen Qilixin Plastic Precision Mould Co., Ltd., Guangdong (CN)**

(72) Inventor: **Qifeng Zhang, Guangdong (CN)**

(73) Assignee: **Shenzhen Qilixin Plastic Precision Mould Co., Ltd., Shenzhen (CN)**

(**) Term: **15 Years**

(21) Appl. No.: **29/751,298**

(22) Filed: **Sep. 20, 2020**

(30) **Foreign Application Priority Data**

Mar. 25, 2020 (CN) 202030106743.3

(51) **LOC (13) Cl.** **24-01**

(52) **U.S. Cl.**
USPC **D24/217**

(58) **Field of Classification Search**

USPC D24/107, 209, 210, 216, 217, 218, 231, D24/232, 234; D26/37, 38, 51; D32/1, D32/25; D3/203.1, 294; D13/108
CPC ... A61L 2/025; A61L 2/07; A61L 2/10; A61L 2/18; A61L 2/24; A61L 2/26; A61L 2202/10; A61L 2202/11; A61L 2202/14; A61L 2202/23; A61L 2202/24; A61L 2202/122; A61L 2202/182

See application file for complete search history.

(56) **References Cited**

U.S. PATENT DOCUMENTS

D629,529 S * 12/2010 Russell, II D24/217
D862,723 S * 10/2019 Ouyang D24/217
D883,511 S * 5/2020 Li D24/217
D892,045 S * 8/2020 Zhang D13/108
D900,333 S * 10/2020 Xie D24/217

D901,712 S * 11/2020 Nicoll D24/217
D924,428 S * 7/2021 Chen D24/217
D931,212 S * 9/2021 Briggs D13/108
D933,599 S * 10/2021 Lee D13/108
2013/0063922 A1* 3/2013 La Porte A61L 2/10
361/807

OTHER PUBLICATIONS

Amazon.com: UV Light Sanitizer Box—UV Cell Phone Sanitizer, Phone Cleaner, UV Sterilizer Box, 2 in 1 . . . Product first available on Sep. 8, 2020. Retrieved from internet on Jan. 25, 2022 at: https://www.amazon.com/dp/B08HP88HPS/ref=sspa_dk_detail_6?th=1.*

* cited by examiner

Primary Examiner — Anhdao Doan

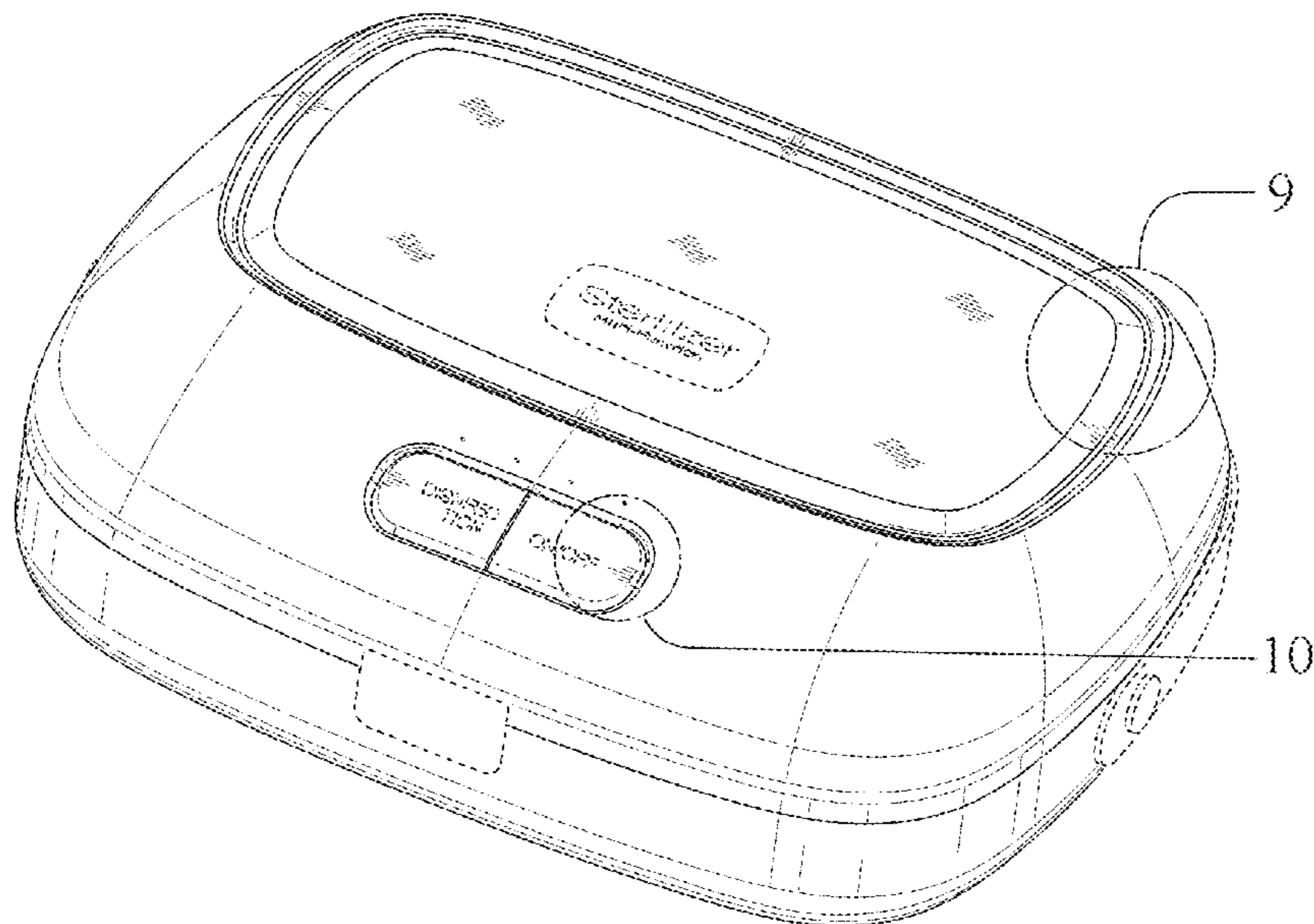
(57) **CLAIM**

The ornamental design for a sterilizer, as shown and described.

DESCRIPTION

FIG. 1 is a top, front and right side perspective view of a sterilizer showing my new design;
FIG. 2 is a bottom, rear and right side perspective view thereof;
FIG. 3 is a top plan view thereof;
FIG. 4 is a bottom plan view thereof;
FIG. 5 is a left side view thereof;
FIG. 6 is a right side view thereof;
FIG. 7 is a rear elevational view thereof;
FIG. 8 is a front elevational view thereof;
FIG. 9 is an enlarged view of portion 9 in FIG. 1; and,
FIG. 10 is an enlarged view of portion 10 in FIG. 1.
The broken lines in the drawings illustrate portions of the sterilizer which form no part of the claimed design.

1 Claim, 9 Drawing Sheets



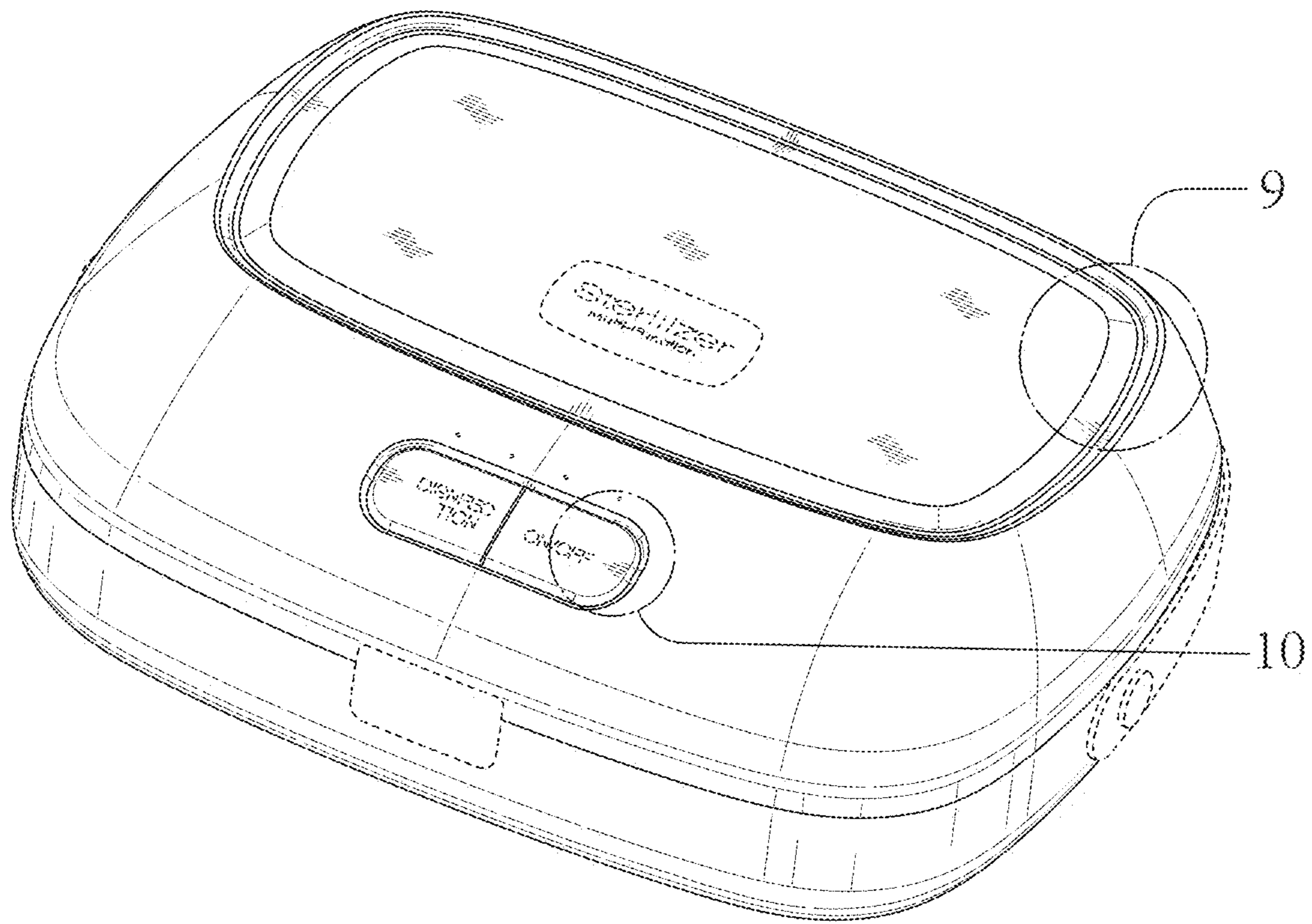


FIG.1

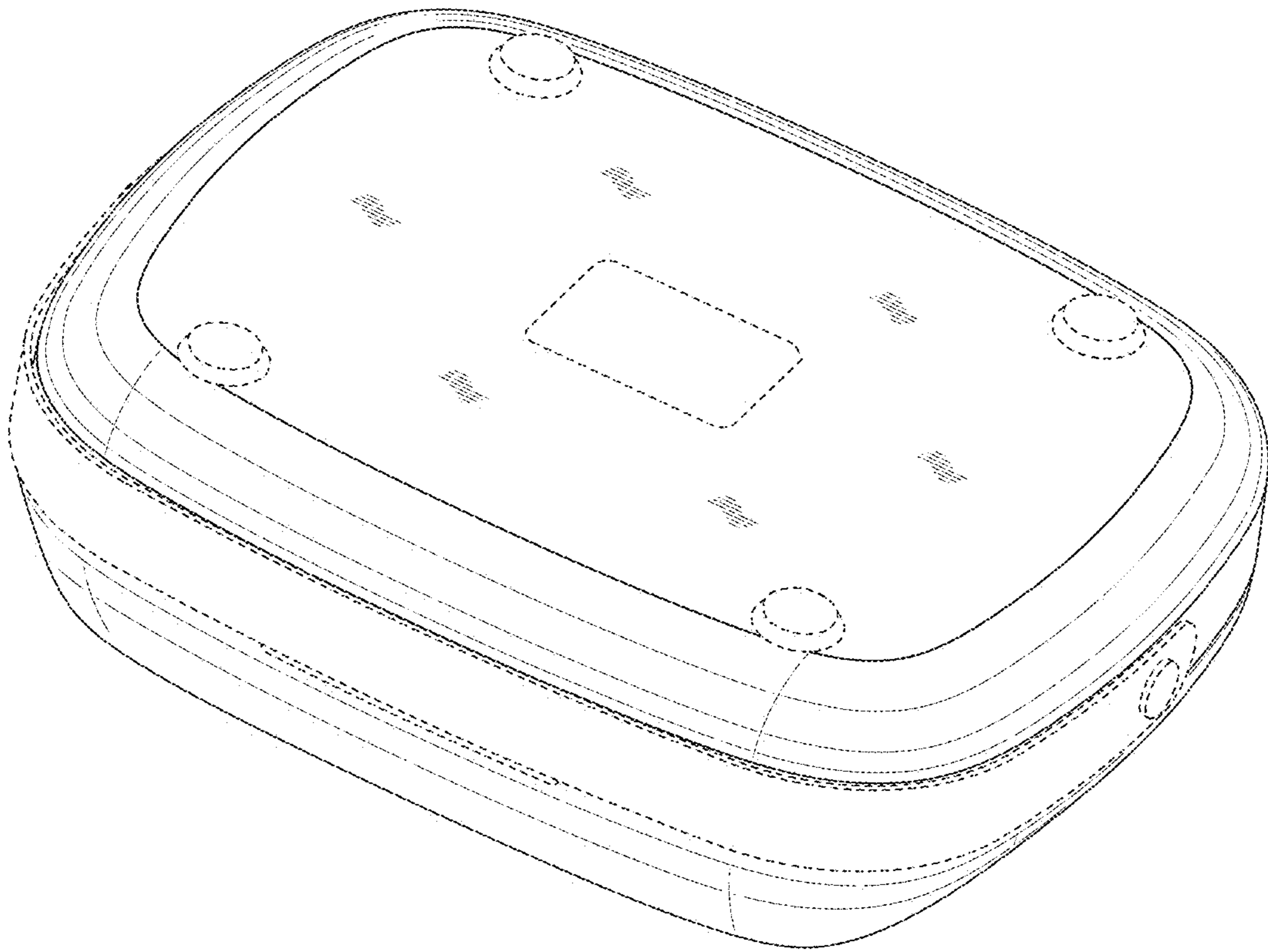


FIG.2

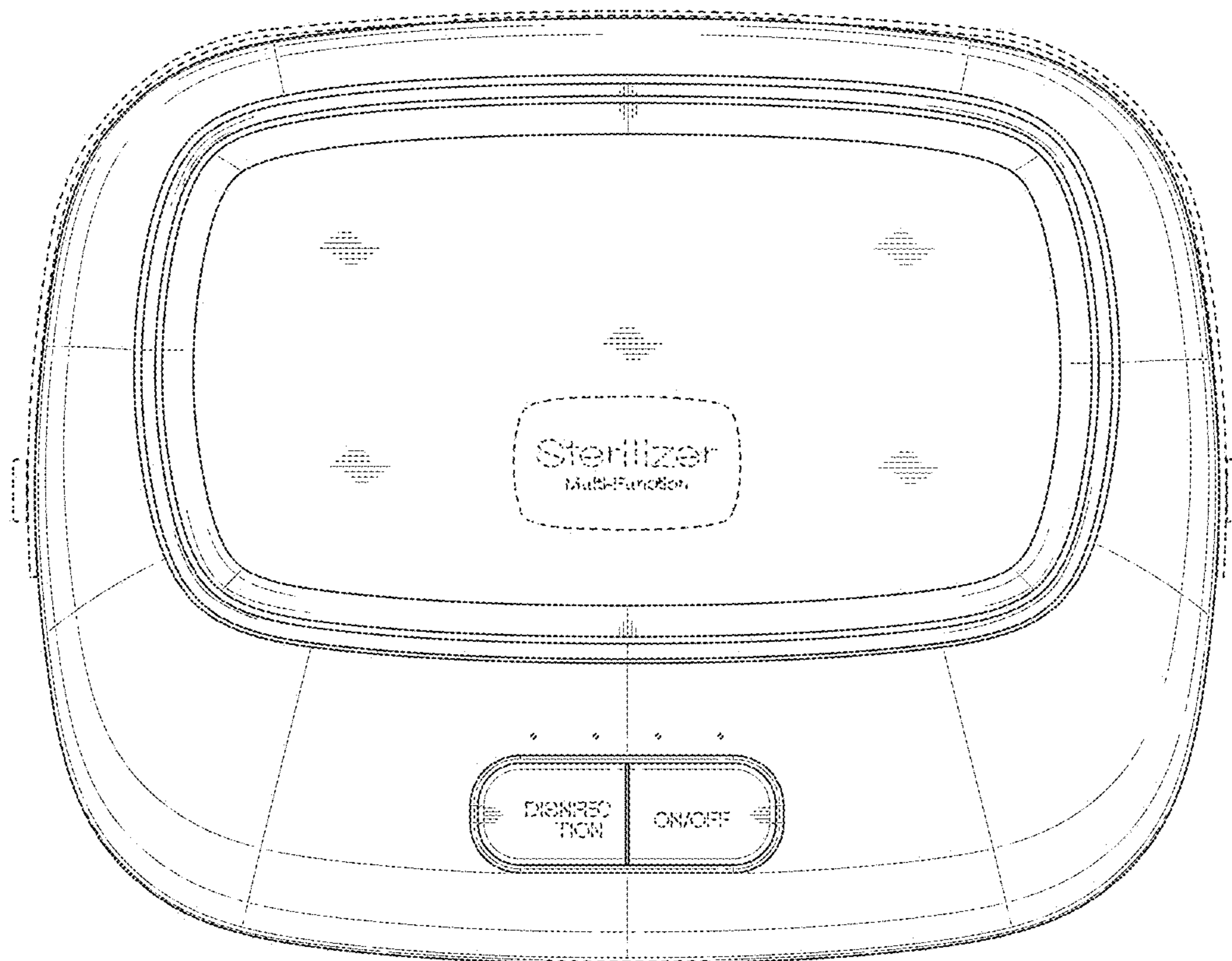


FIG.3

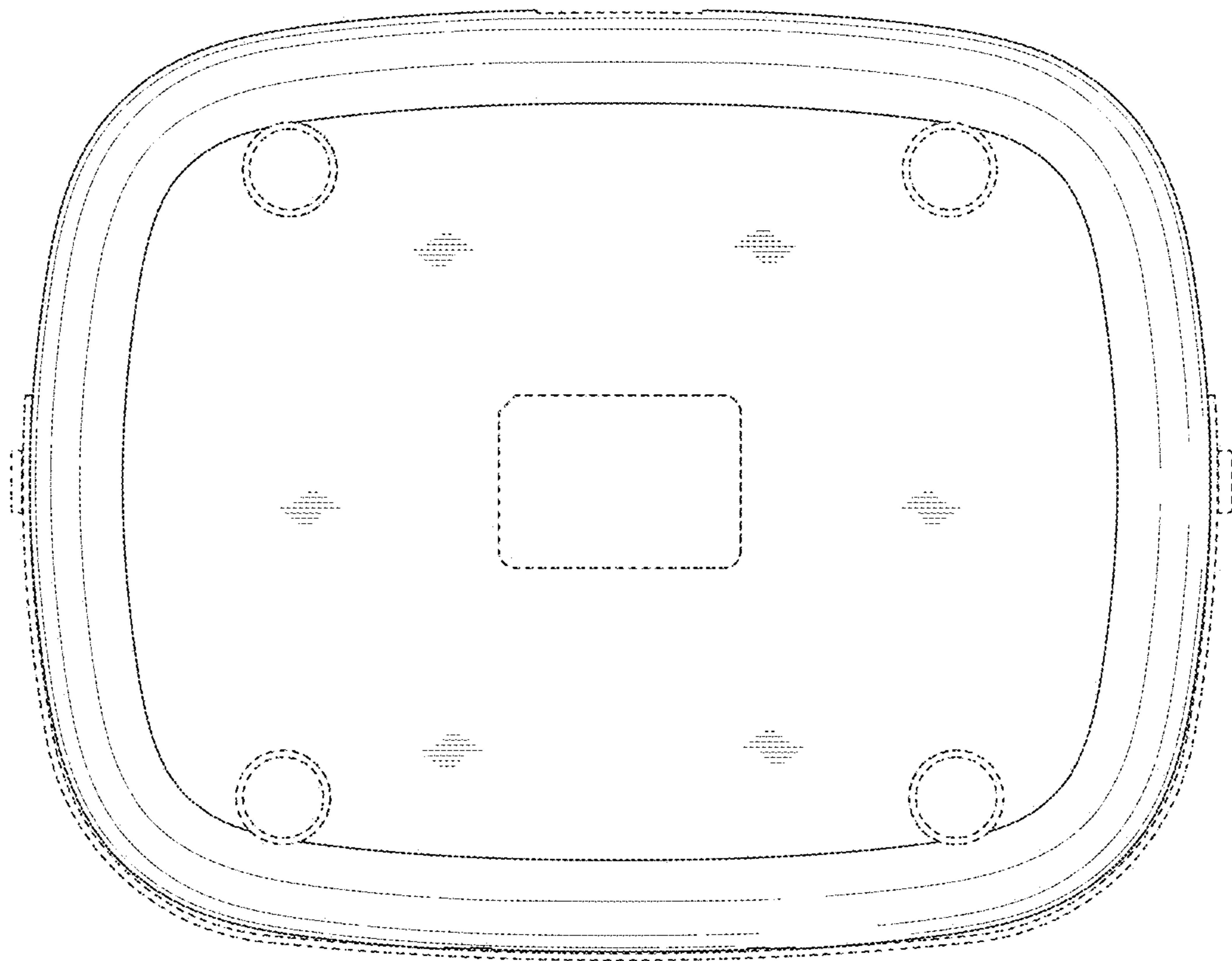


FIG.4

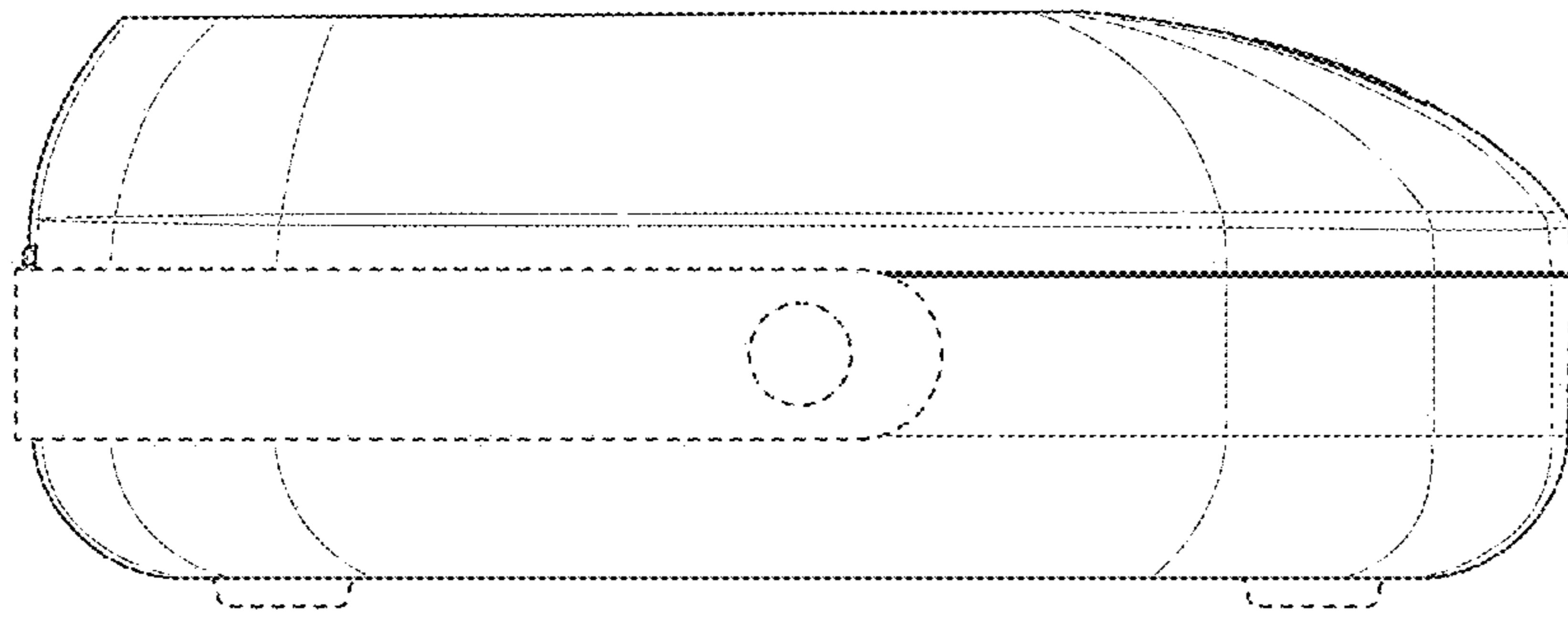


FIG.5

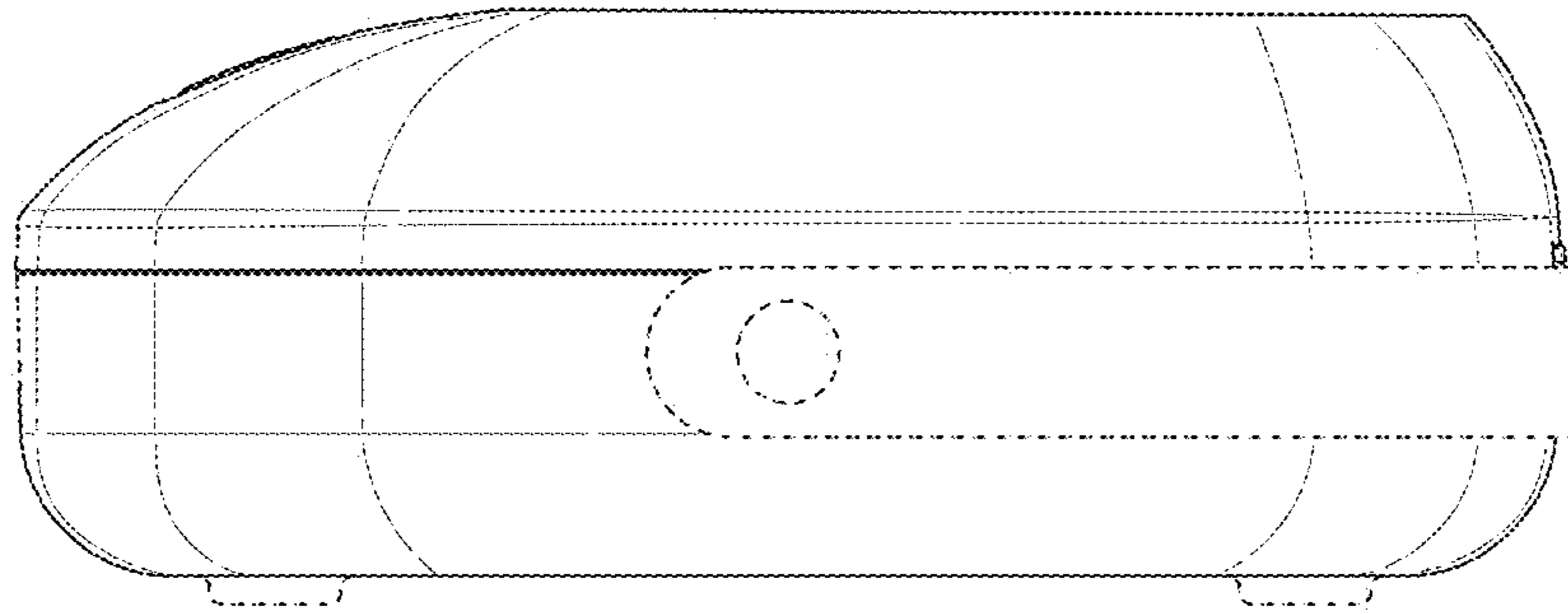


FIG.6

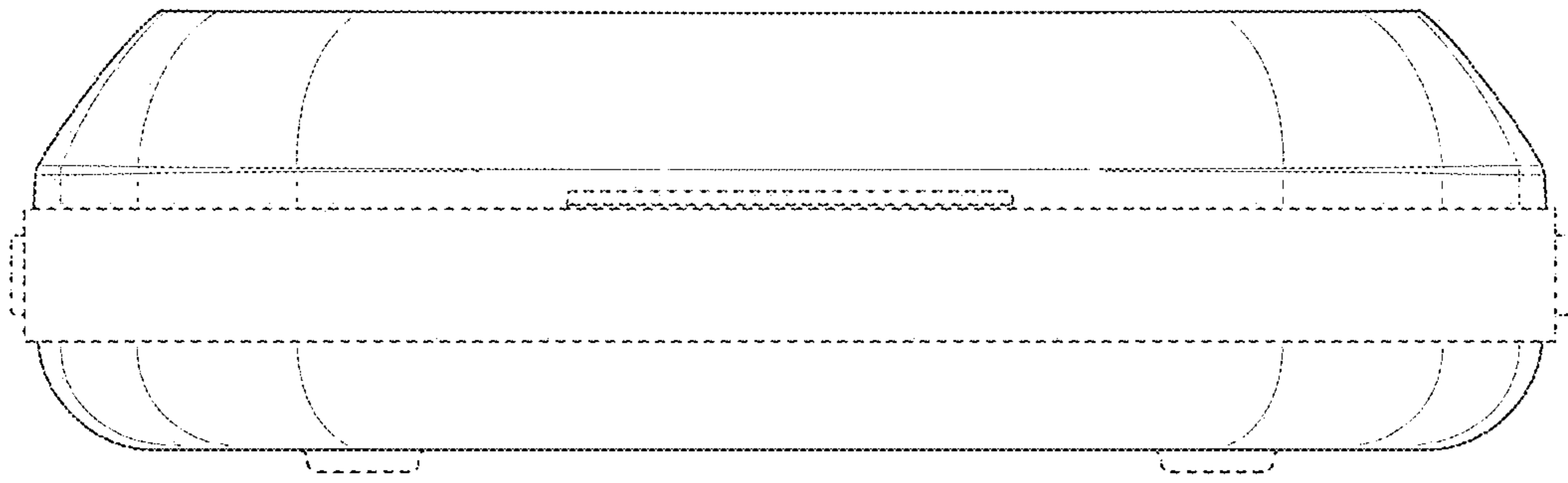


FIG.7

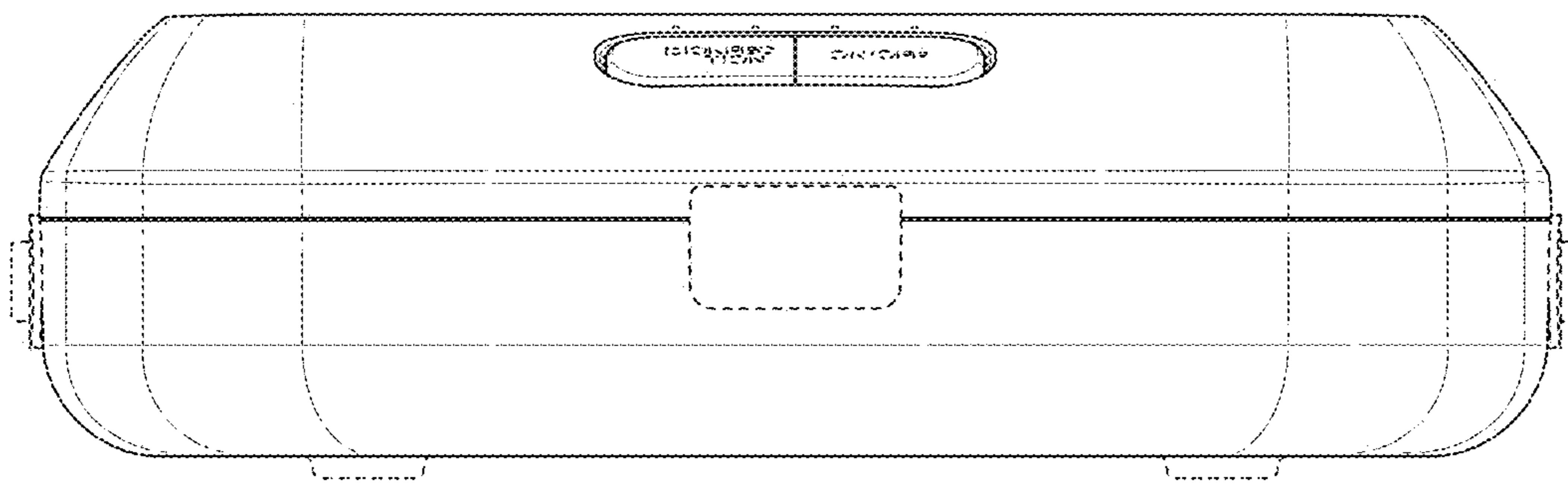


FIG.8

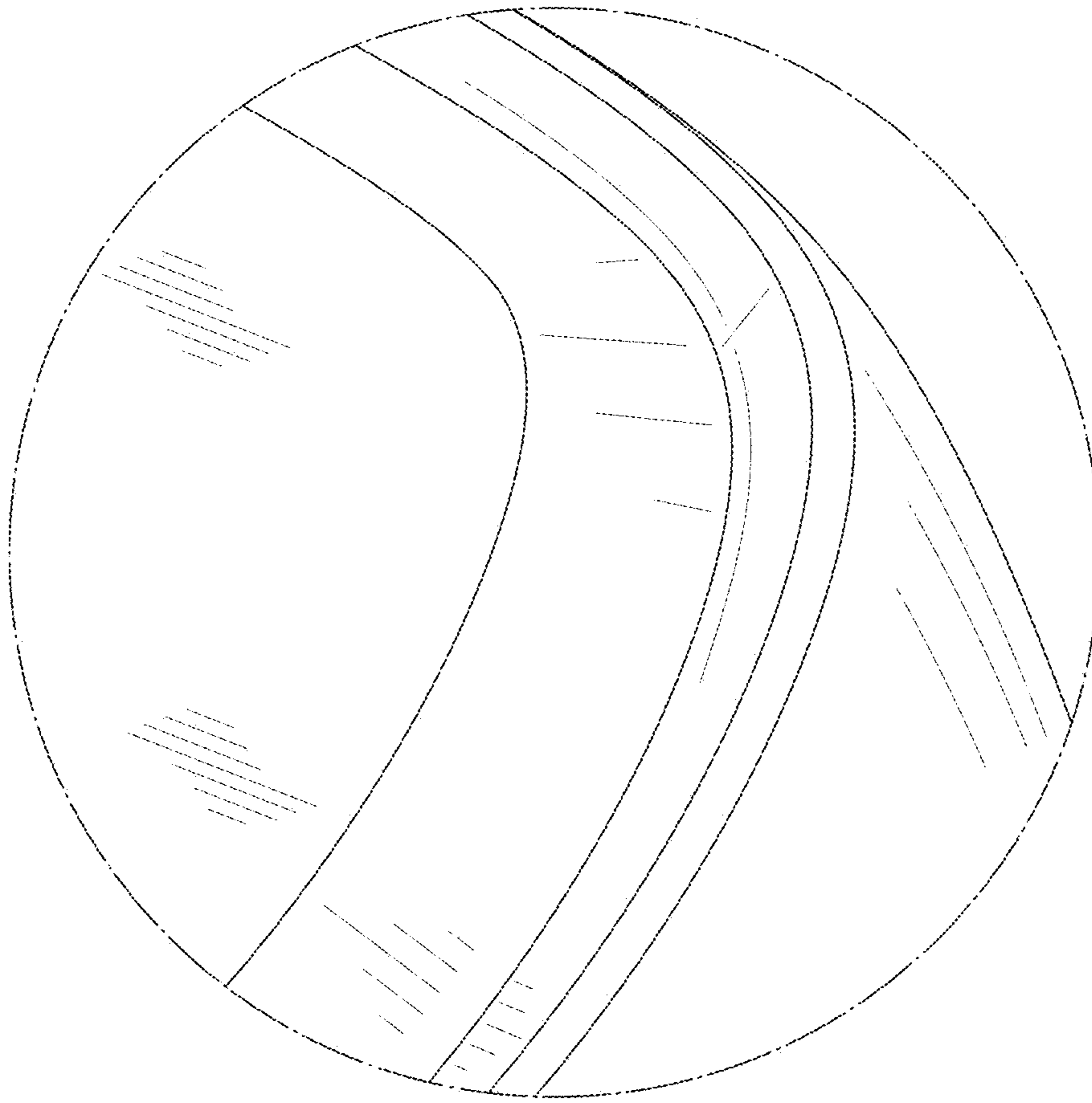


FIG. 9

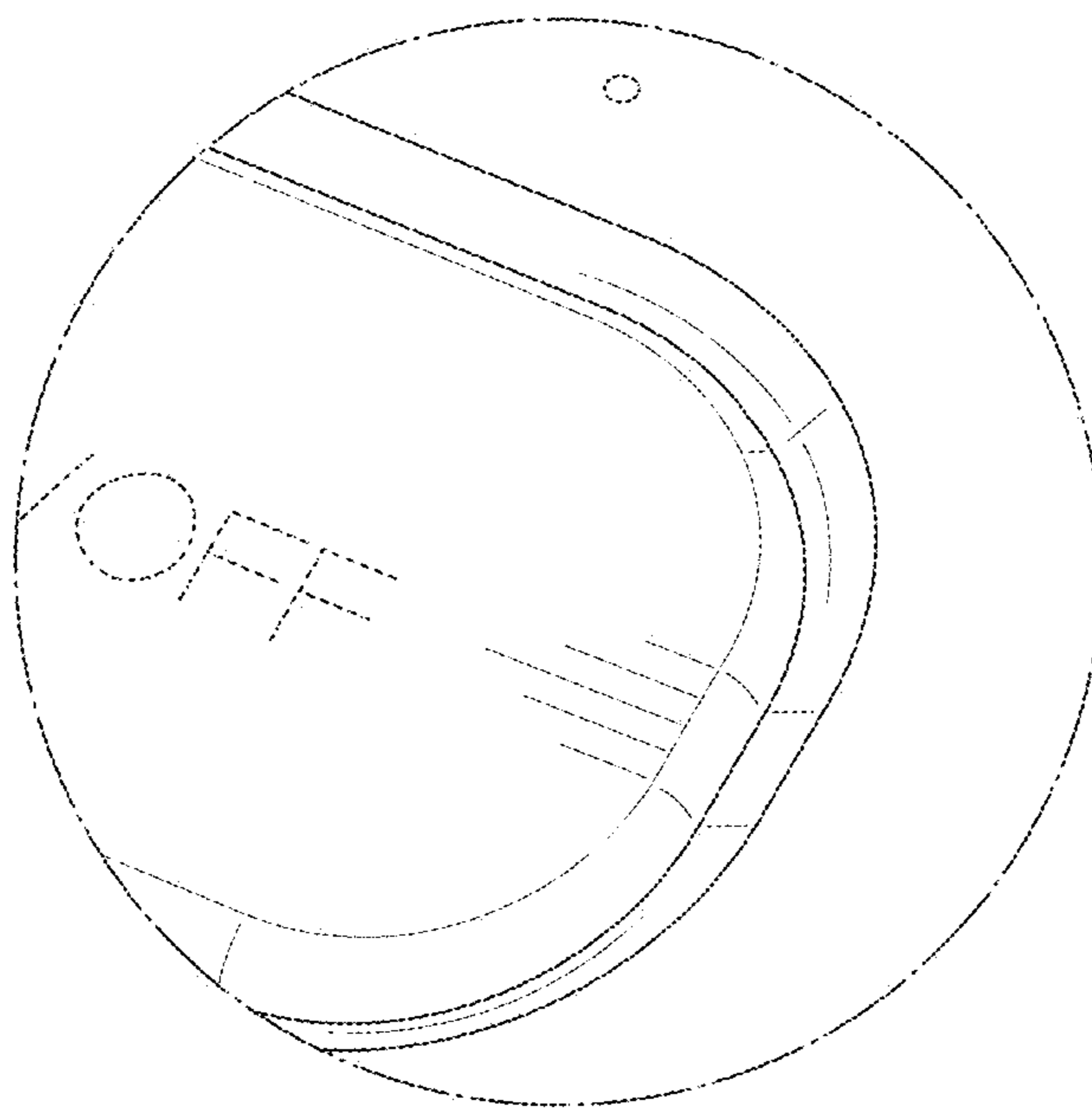


FIG. 10