



US00D952893S

(12) **United States Design Patent**
Baumann et al.

(10) **Patent No.:** **US D952,893 S**

(45) **Date of Patent:** **** May 24, 2022**

(54) **DATA LOGGER**

(71) Applicant: **Midmark Corporation**, Versailles, OH (US)

(72) Inventors: **Steffen Baumann**, Dayton, OH (US);
David P. Hosey, Minster, OH (US);
Douglas R. Hall, Troy, OH (US);
Richard L. Turner, Celina, OH (US);
Gary W. Benning, Greenville, OH (US);
Matthew A. Tangeman, New Bremen, OH (US)

(73) Assignee: **Midmark Corporation**, Versailles, OH (US)

(**) Term: **15 Years**

(21) Appl. No.: **29/707,938**

(22) Filed: **Oct. 2, 2019**

(51) **LOC (13) Cl.** **24-02**

(52) **U.S. Cl.**
USPC **D24/217**

(58) **Field of Classification Search**
USPC D24/176-177, 216-217, 221, 231-232
CPC A61L 2/28; A61L 2/26; A61L 2/24; A61L 2202/14; A61L 2202/122; G06F 16/2358
See application file for complete search history.

(56) **References Cited**

U.S. PATENT DOCUMENTS

D598,564 S * 8/2009 Coyle D24/217
8,236,253 B2 * 8/2012 Coyle A61L 2/24
422/296

8,252,246 B2 * 8/2012 Coyle A61L 2/24
422/26
2019/0294603 A1 * 9/2019 Pedersen A61L 2/24
2021/0280305 A1 * 9/2021 Benning G06F 16/258

* cited by examiner

Primary Examiner — Wan Laymon

(74) *Attorney, Agent, or Firm* — Frost Brown Todd LLC

(57) **CLAIM**

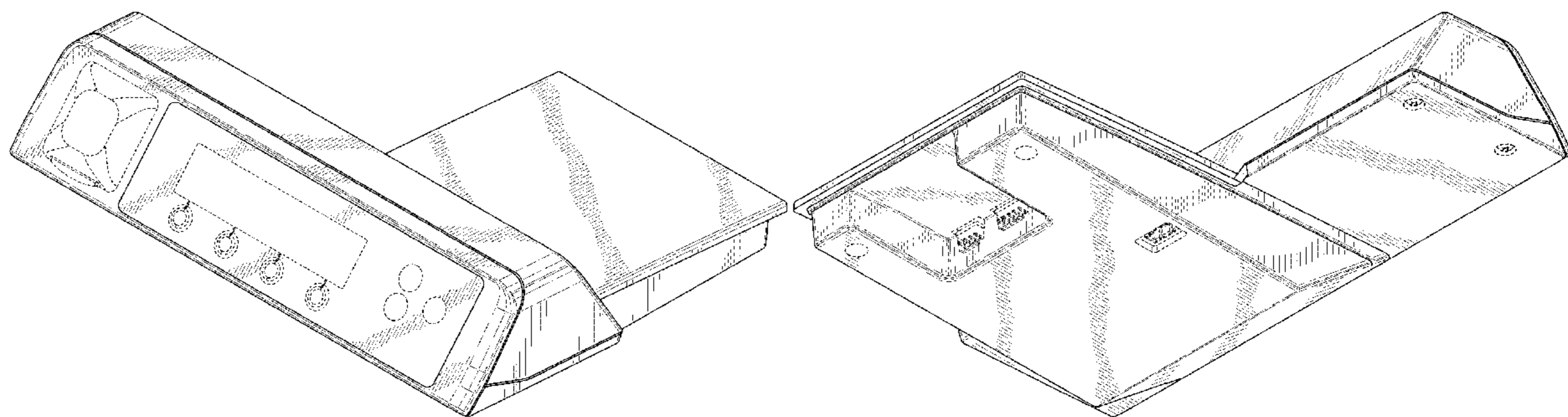
The ornamental design for a data logger, as shown and described.

DESCRIPTION

FIG. 1 is a front top perspective view of a data logger showing our new design;
FIG. 2 is a rear top perspective view thereof;
FIG. 3 is a front bottom perspective view thereof;
FIG. 4 is a rear bottom perspective view thereof;
FIG. 5 is a top plan view thereof;
FIG. 6 is a bottom plan view thereof;
FIG. 7 is a left elevational view thereof;
FIG. 8 is a right elevational view thereof;
FIG. 9 is a front elevational view thereof; and,
FIG. 10 is a rear elevational view thereof.

The broken lines shown in the drawings depicting protrusions, recesses and other features illustrate environment that forms no part of the claimed design.

1 Claim, 10 Drawing Sheets



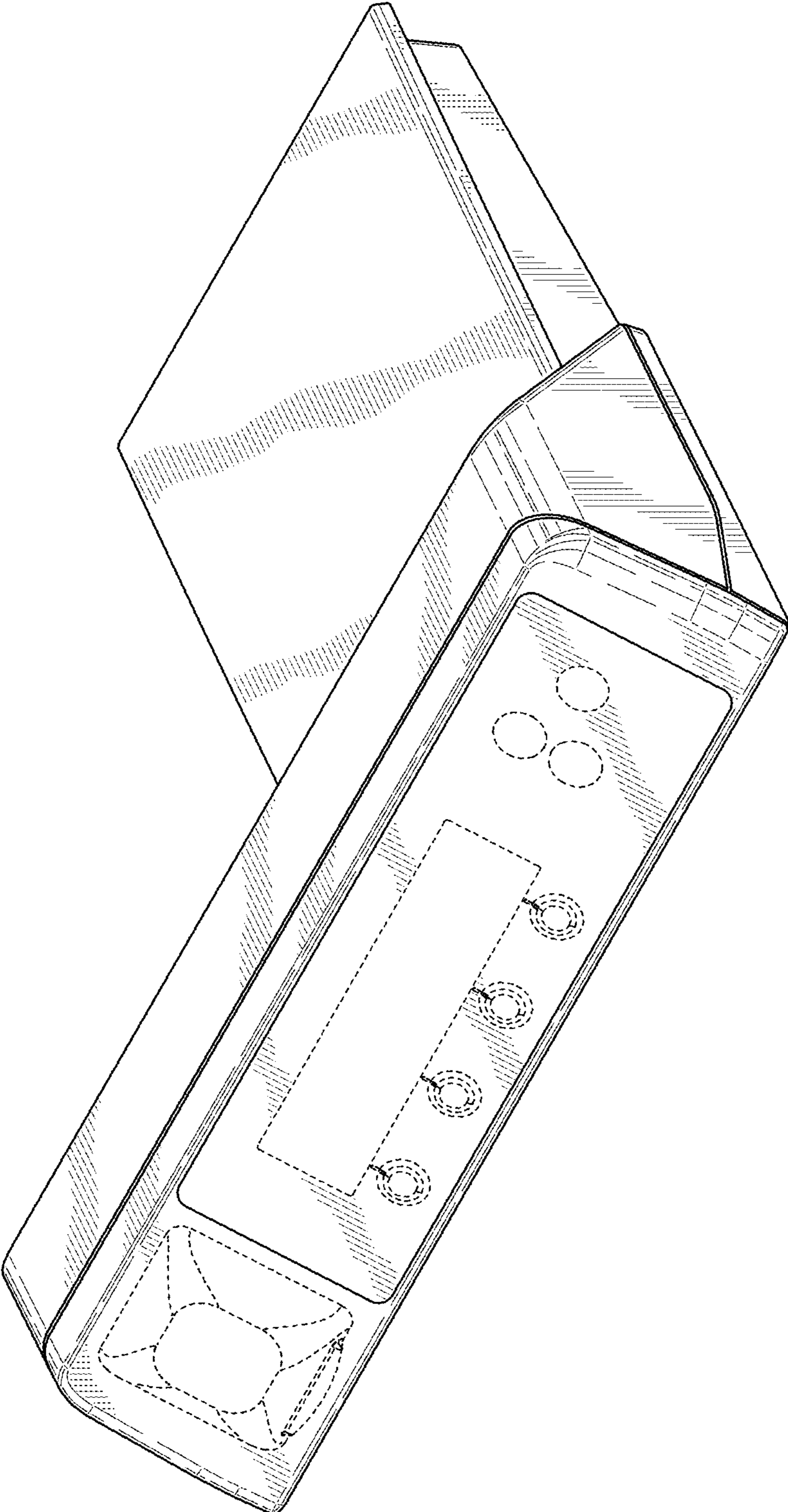


FIG. 1

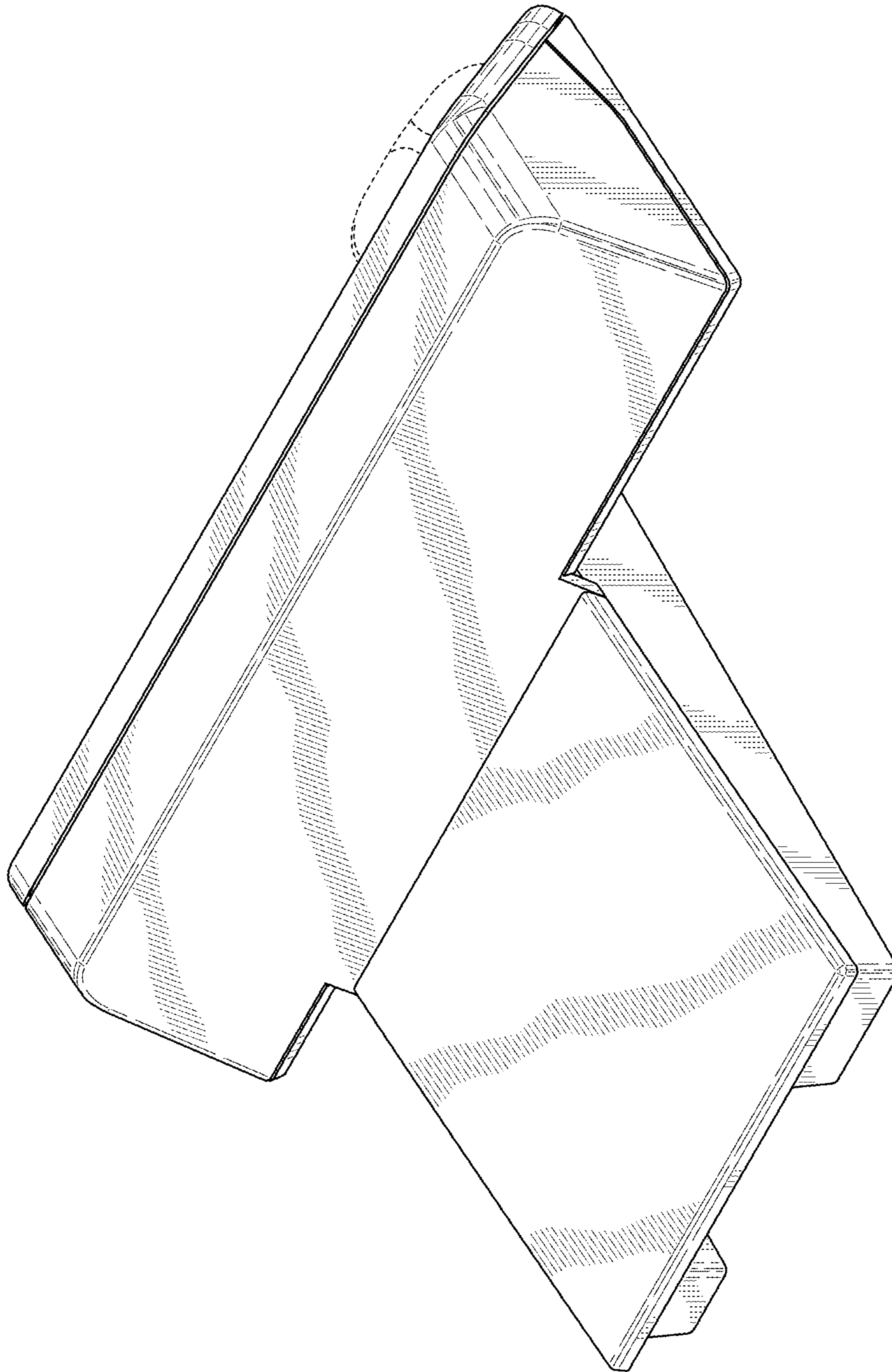


FIG. 2

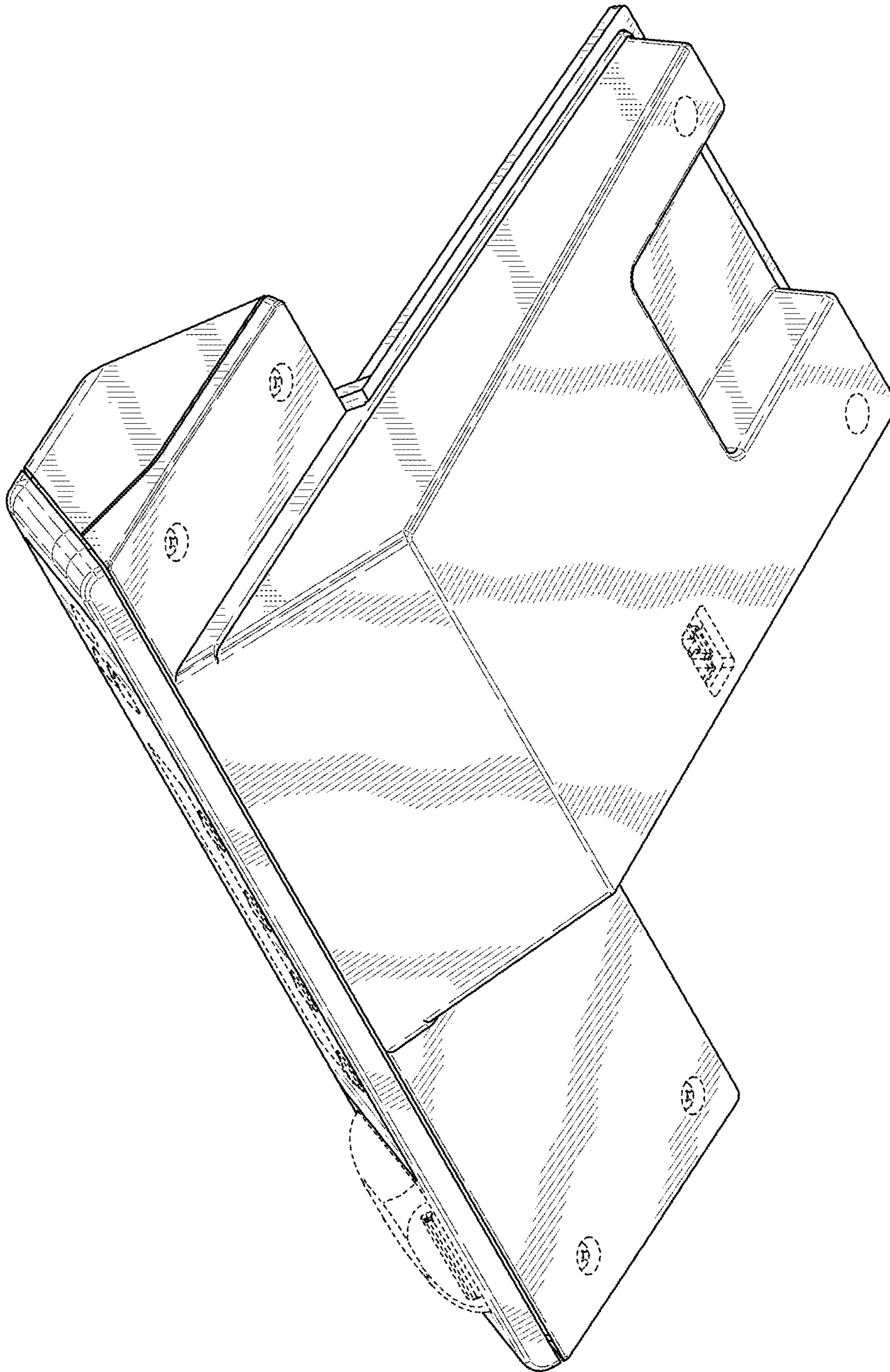


FIG. 3

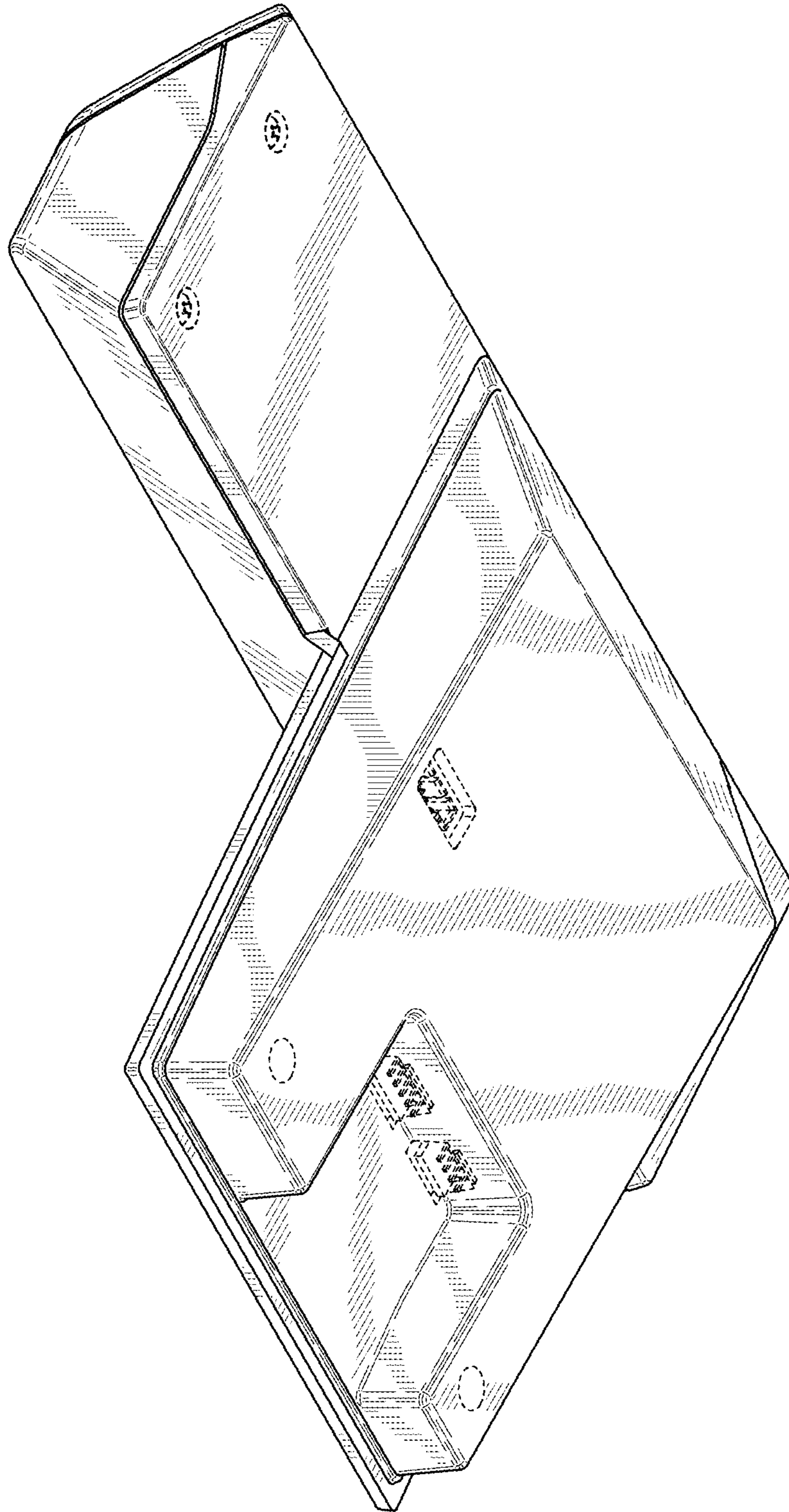


FIG. 4

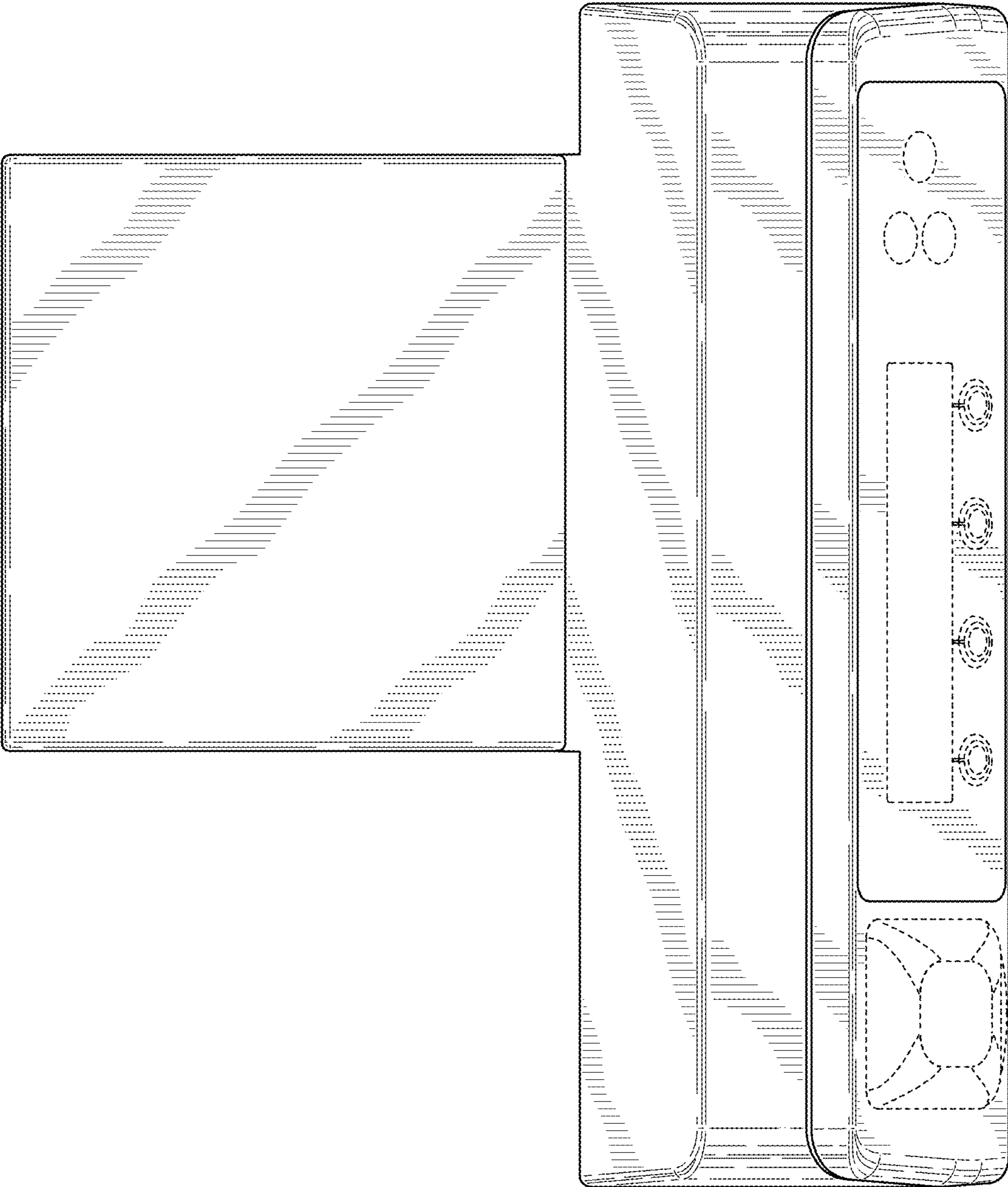


FIG. 5

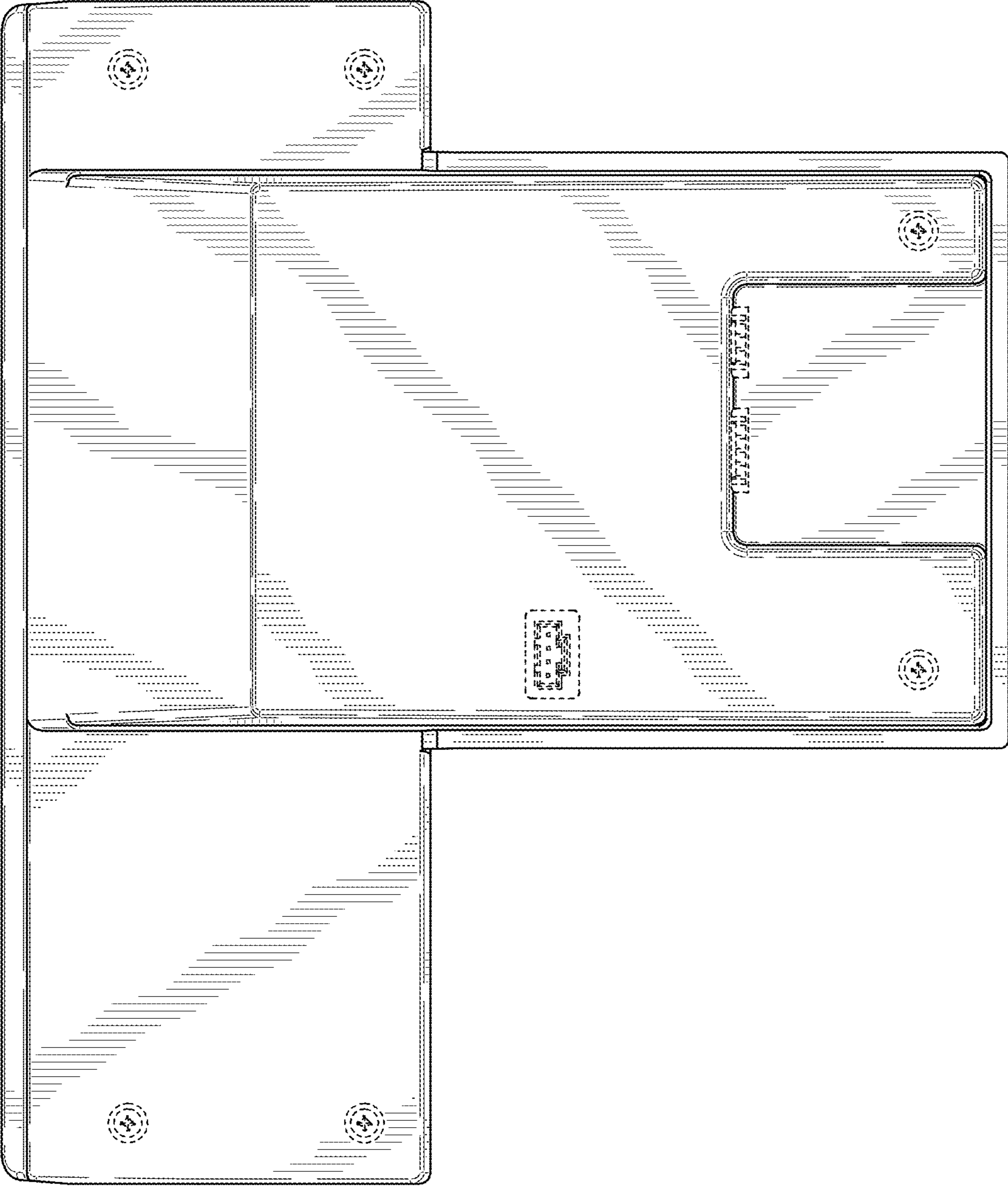


FIG. 6

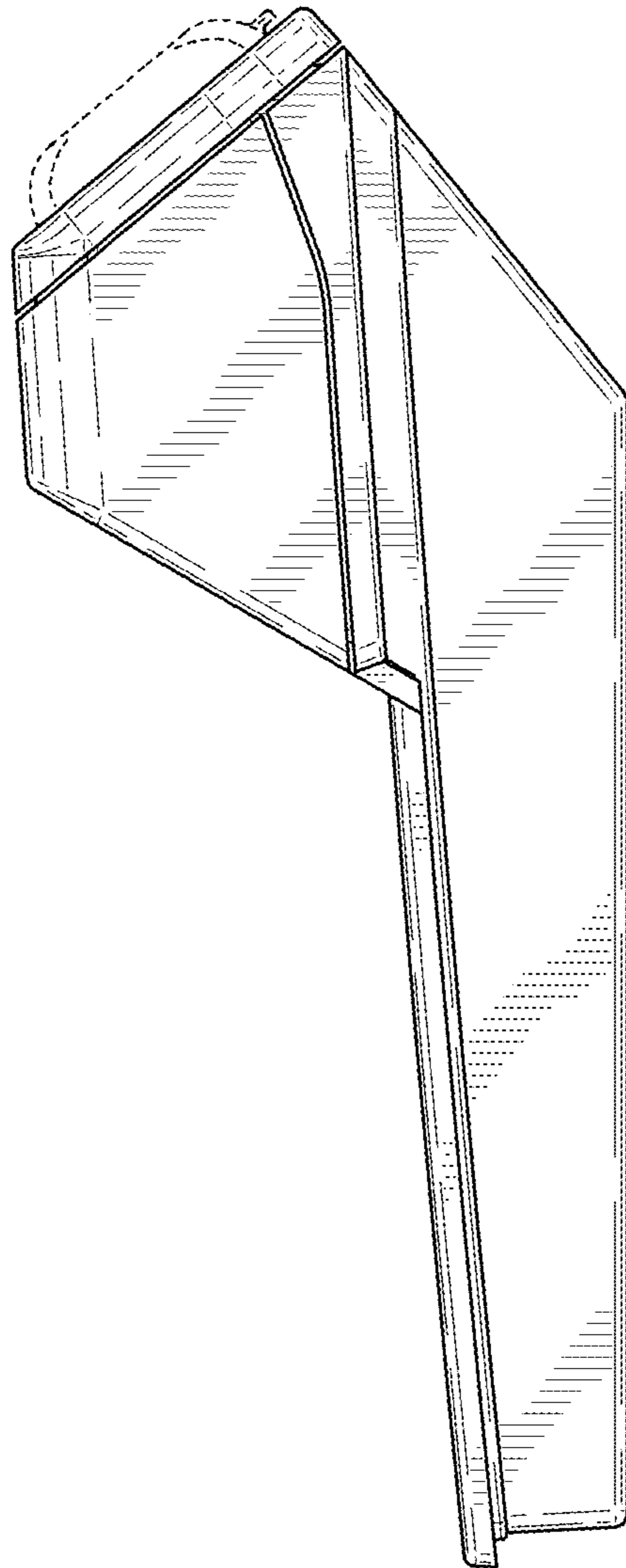


FIG. 7

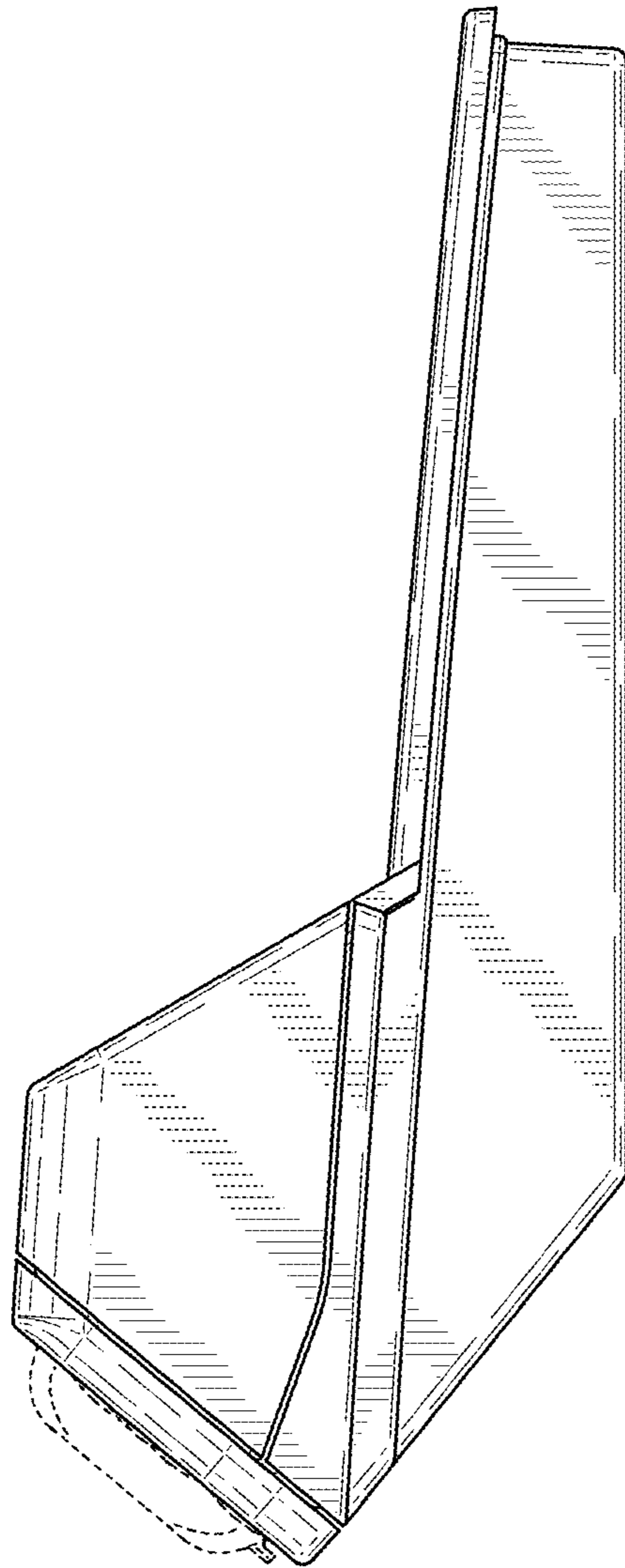


FIG. 8

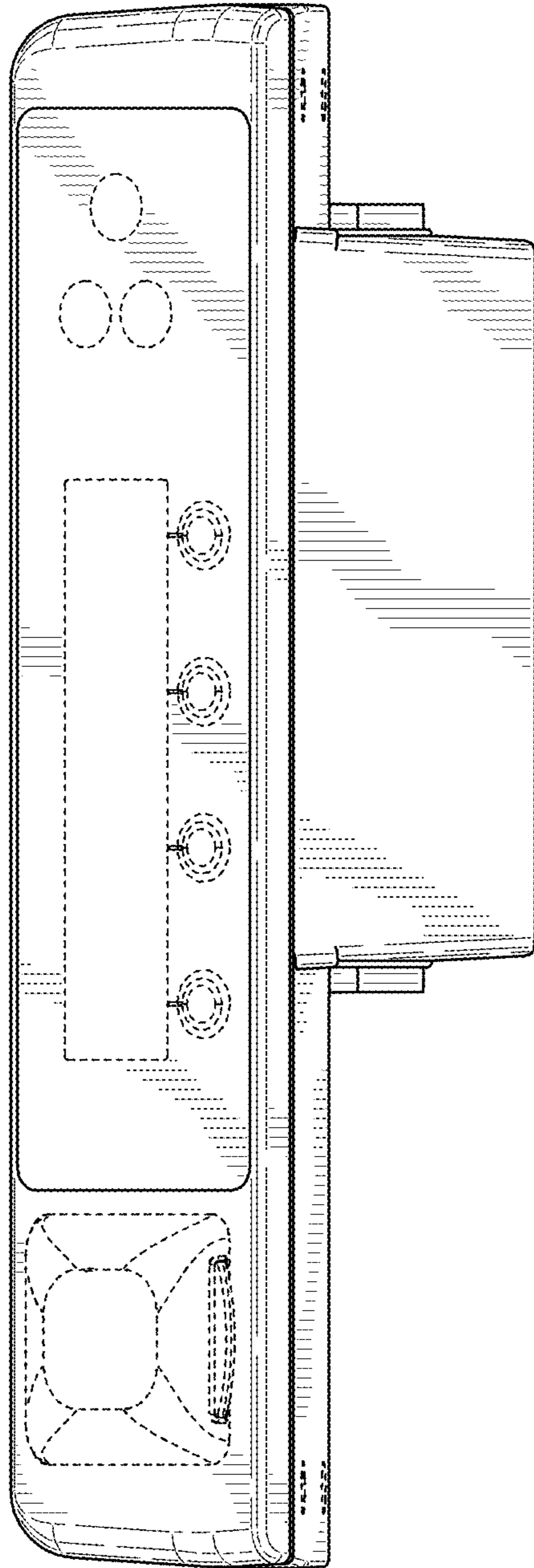


FIG. 9

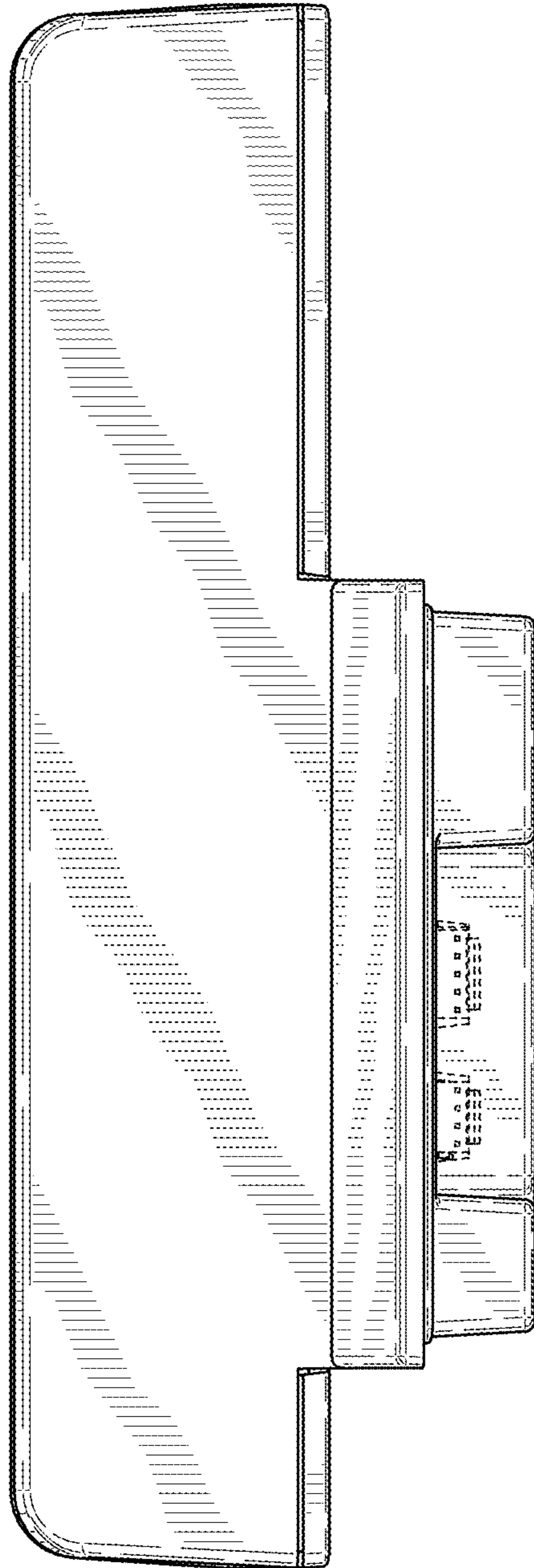


FIG. 10