



US00D952889S

(12) **United States Design Patent** (10) **Patent No.:** **US D952,889 S**  
**Chang** (45) **Date of Patent:** **\*\* May 24, 2022**

(54) **STAR-SHAPED VACUUM MASSAGE DEVICE**

OTHER PUBLICATIONS

(71) Applicant: **Yu-Chieh Chang**, Taipei (TW)

Alibaba, "Single Love Cupping Cups", Access Date Mar. 17, 2022. [https://www.alibaba.com/product-detail/Plastic-PC-Vacuum-Cupping-Set-hijama\\_1600081425785.html](https://www.alibaba.com/product-detail/Plastic-PC-Vacuum-Cupping-Set-hijama_1600081425785.html). Shown on both pages. (Year: 2022).\*

(72) Inventor: **Yu-Chieh Chang**, Taipei (TW)

Amazon, "Cupping Cups", Jul. 17, 2021. [https://www.amazon.com/Shaped-Cupping-Plastic-Therapy-Massager/dp/B099PVQH8Z/ref=cm\\_cr\\_arp\\_d\\_product\\_top?ie=UTF8](https://www.amazon.com/Shaped-Cupping-Plastic-Therapy-Massager/dp/B099PVQH8Z/ref=cm_cr_arp_d_product_top?ie=UTF8). (Year: 2021).\*

(\*\*) Term: **15 Years**

(21) Appl. No.: **29/787,528**

\* cited by examiner

(22) Filed: **Jun. 7, 2021**

(51) **LOC (13) Cl.** ..... **28-03**

*Primary Examiner* — Michael A Maharajh

(52) **U.S. Cl.**

(74) *Attorney, Agent, or Firm* — ScienBiziP, P.C.

USPC ..... **D24/215**

(58) **Field of Classification Search**

(57) **CLAIM**

USPC ..... D1/112, 127; D30/121; D21/363, 380,  
D21/493; D24/215; D9/451, 456, 629,  
D9/669

The ornamental design for a star-shaped vacuum massage device, as shown and described.

CPC .. B65D 5/425; B65D 5/50; A61H 2015/0042;  
A61H 33/6036

**DESCRIPTION**

See application file for complete search history.

FIG. 1 is a front, right, and top perspective view of a star-shaped vacuum massage device, showing my design. FIG. 2 is a rear, left, and bottom perspective view thereof. FIG. 3 is a front elevation view thereof. FIG. 4 is a rear elevation view thereof. FIG. 5 is a left side elevation view thereof. FIG. 6 is a right side elevation view thereof. FIG. 7 is a top plan view thereof; and, FIG. 8 is a bottom plan view thereof.

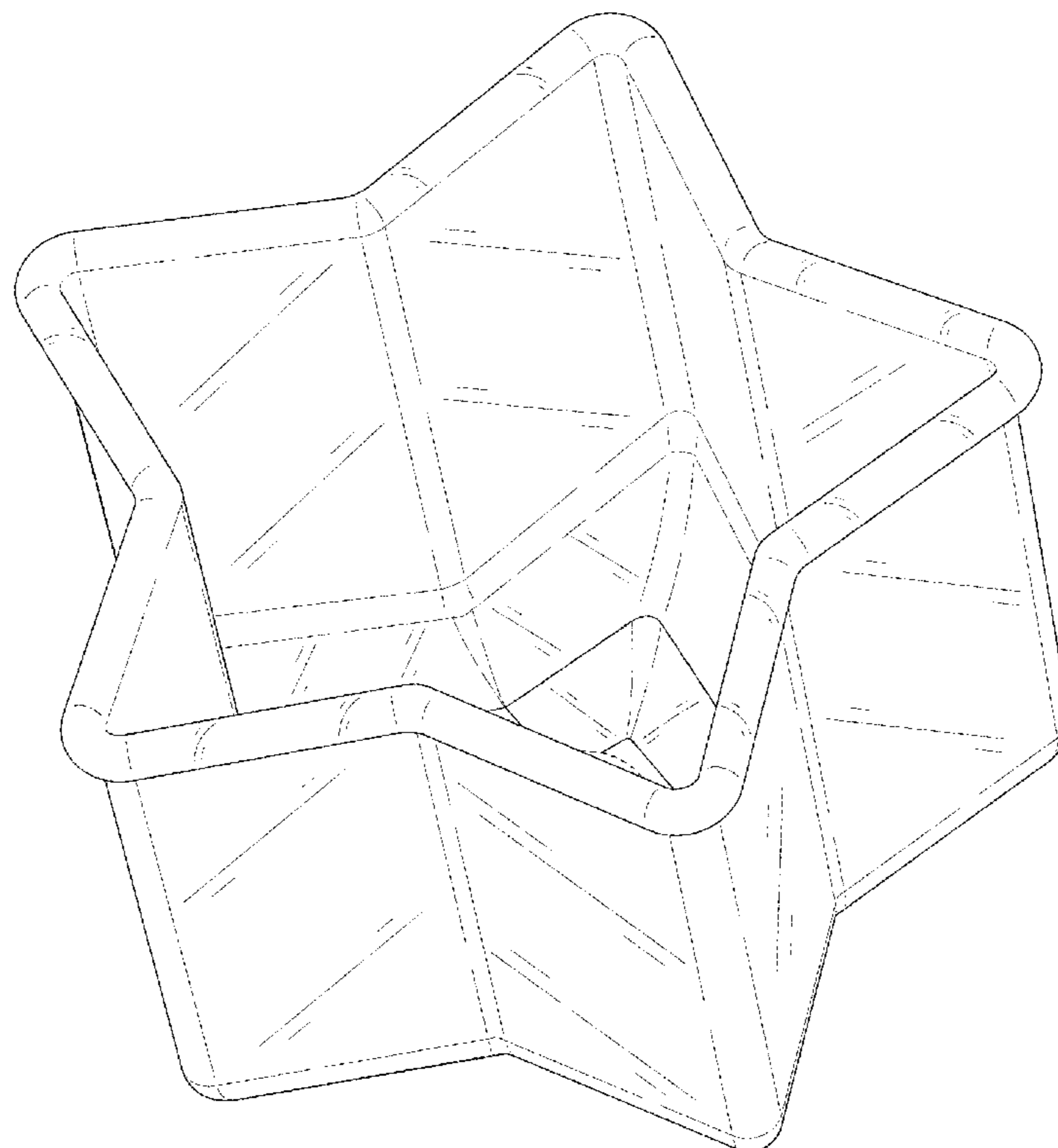
The broken lines shown in the drawings are included for the purpose of illustrating portions of the star-shaped vacuum massage device that form no part of the claimed design.

(56) **References Cited**

U.S. PATENT DOCUMENTS

D393,345 S *	4/1998	Clegg .....	D2/869
D431,187 S *	9/2000	Davis .....	D11/131
D551,979 S *	10/2007	Daniels .....	D9/456
D694,418 S *	11/2013	Schnurr .....	D24/215
D694,419 S *	11/2013	Schnurr .....	D24/215
D708,520 S *	7/2014	Schick .....	D9/451
D846,752 S *	4/2019	Zhou	
D875,545 S *	2/2020	Bagramyan .....	D28/8.2
D909,591 S *	2/2021	Lai .....	D24/200
D917,713 S *	4/2021	Zhou	

**1 Claim, 8 Drawing Sheets**



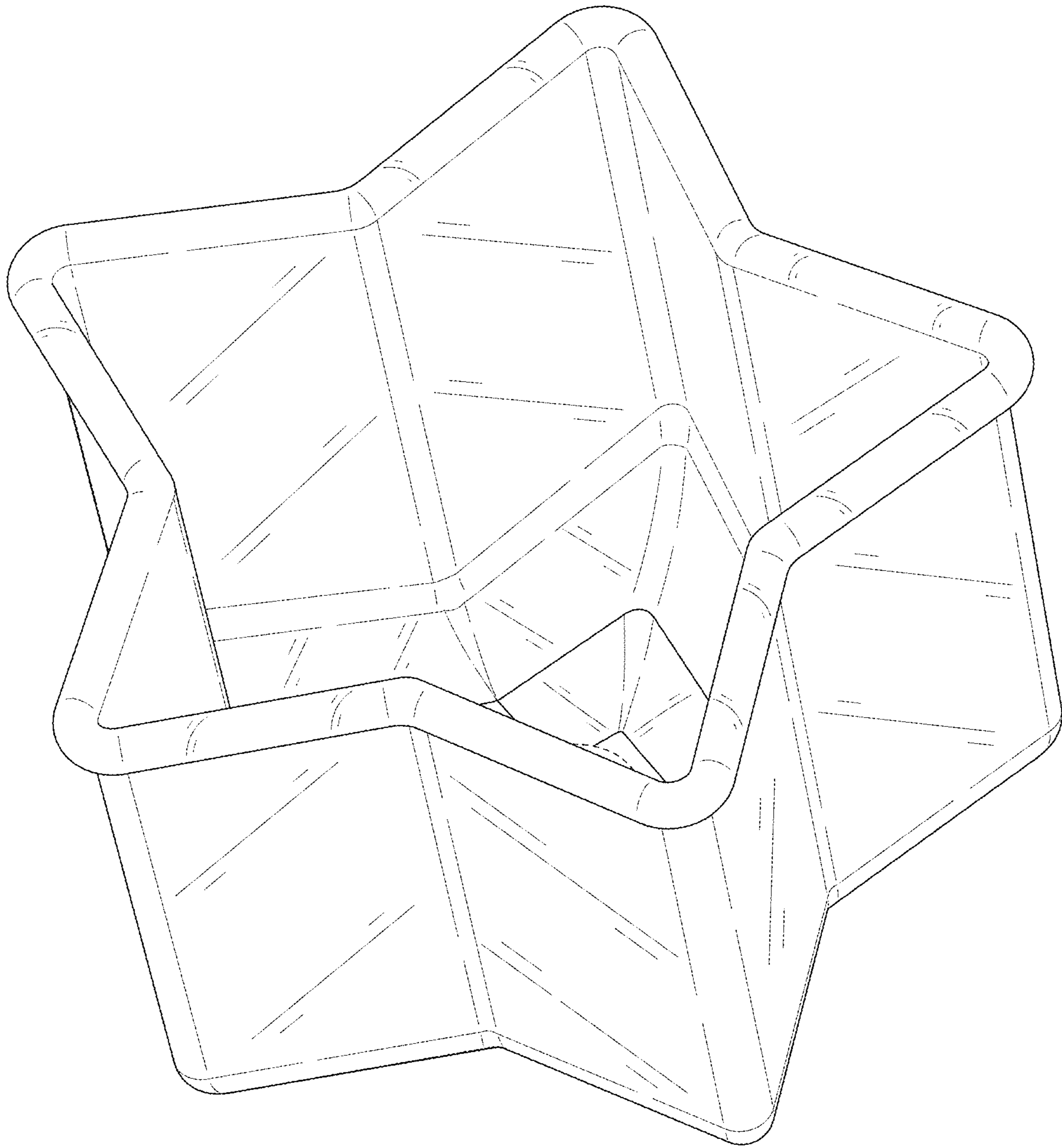


FIG. 1

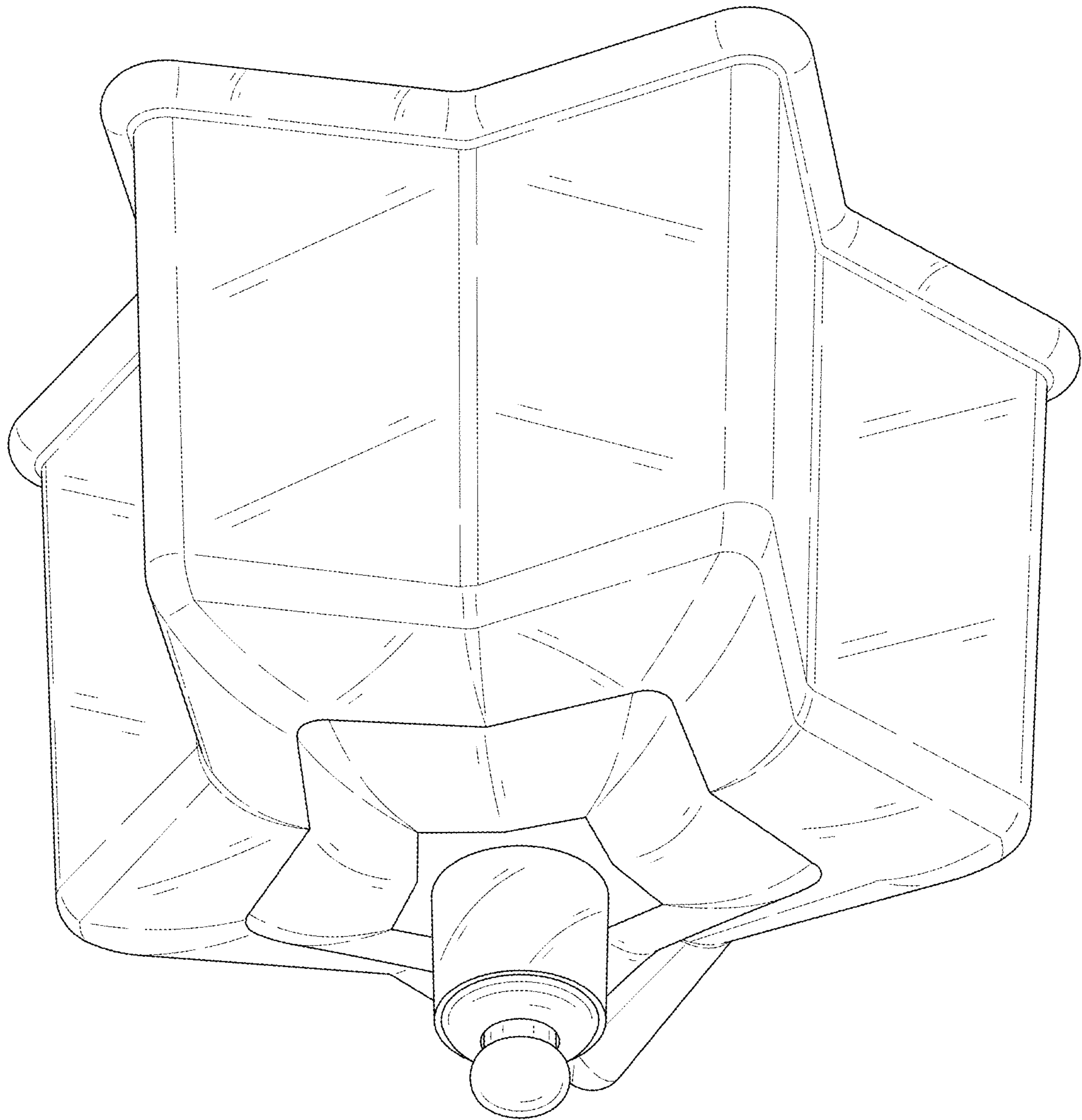


FIG. 2

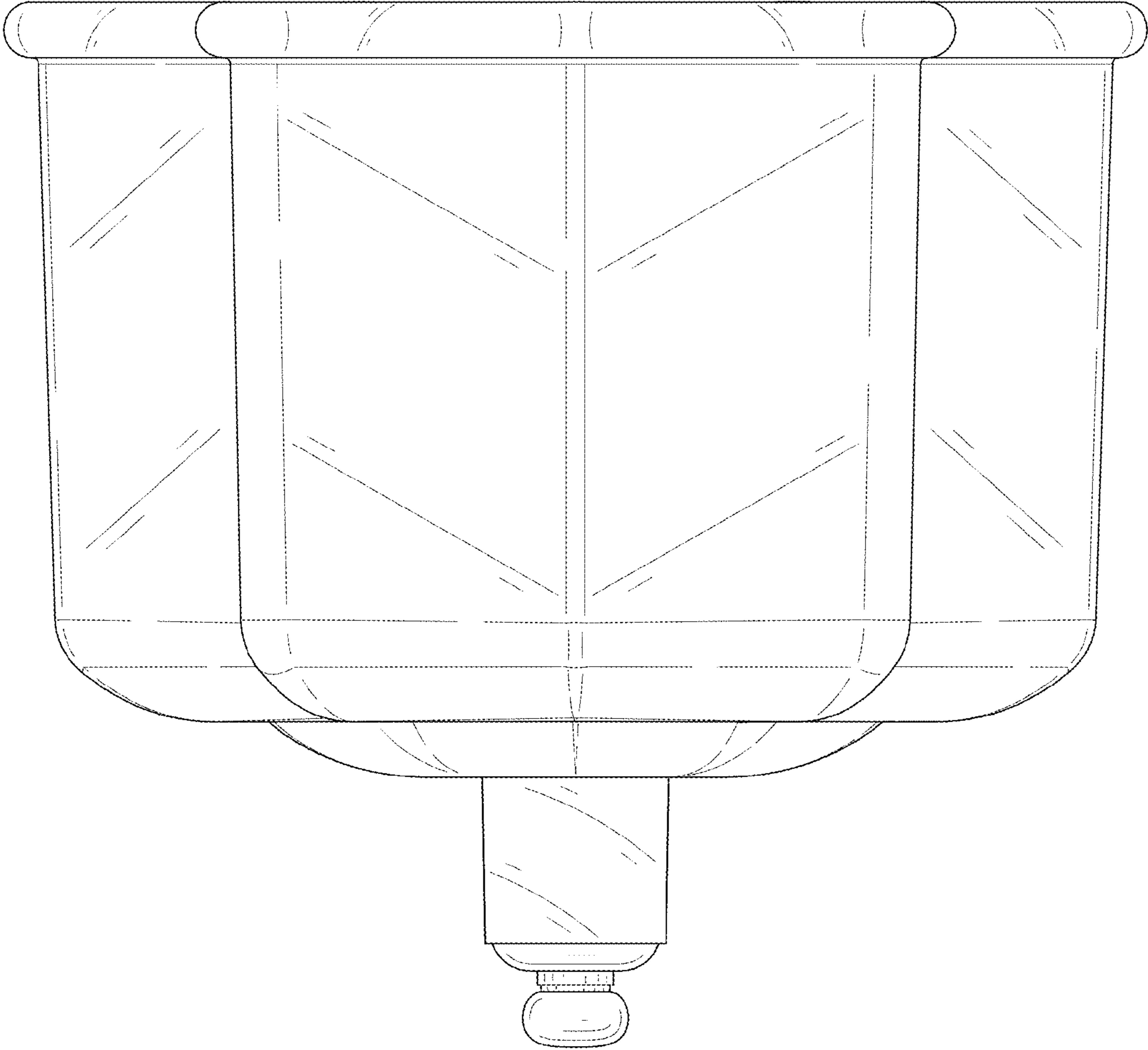


FIG. 3

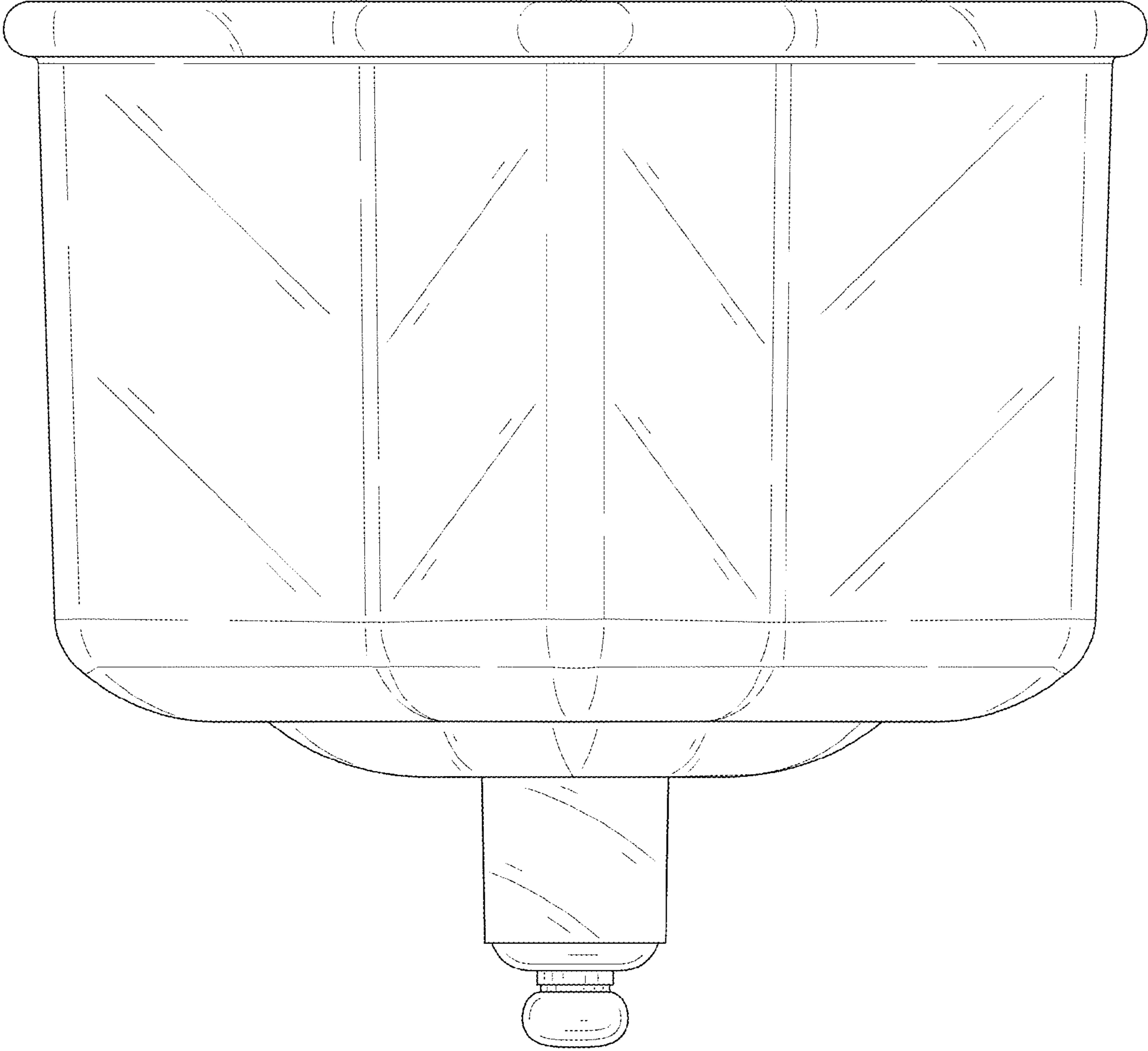


FIG. 4



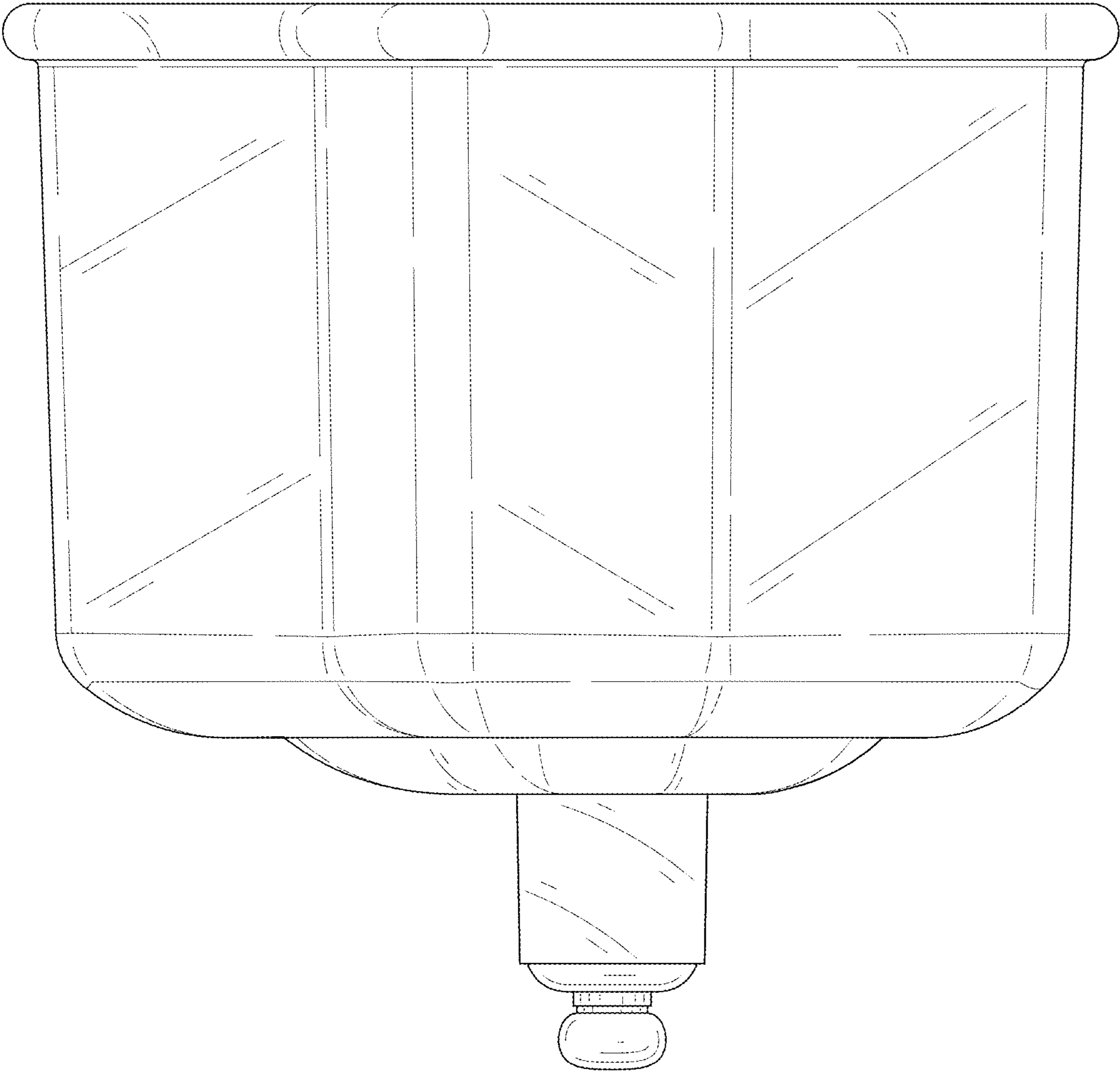


FIG. 5

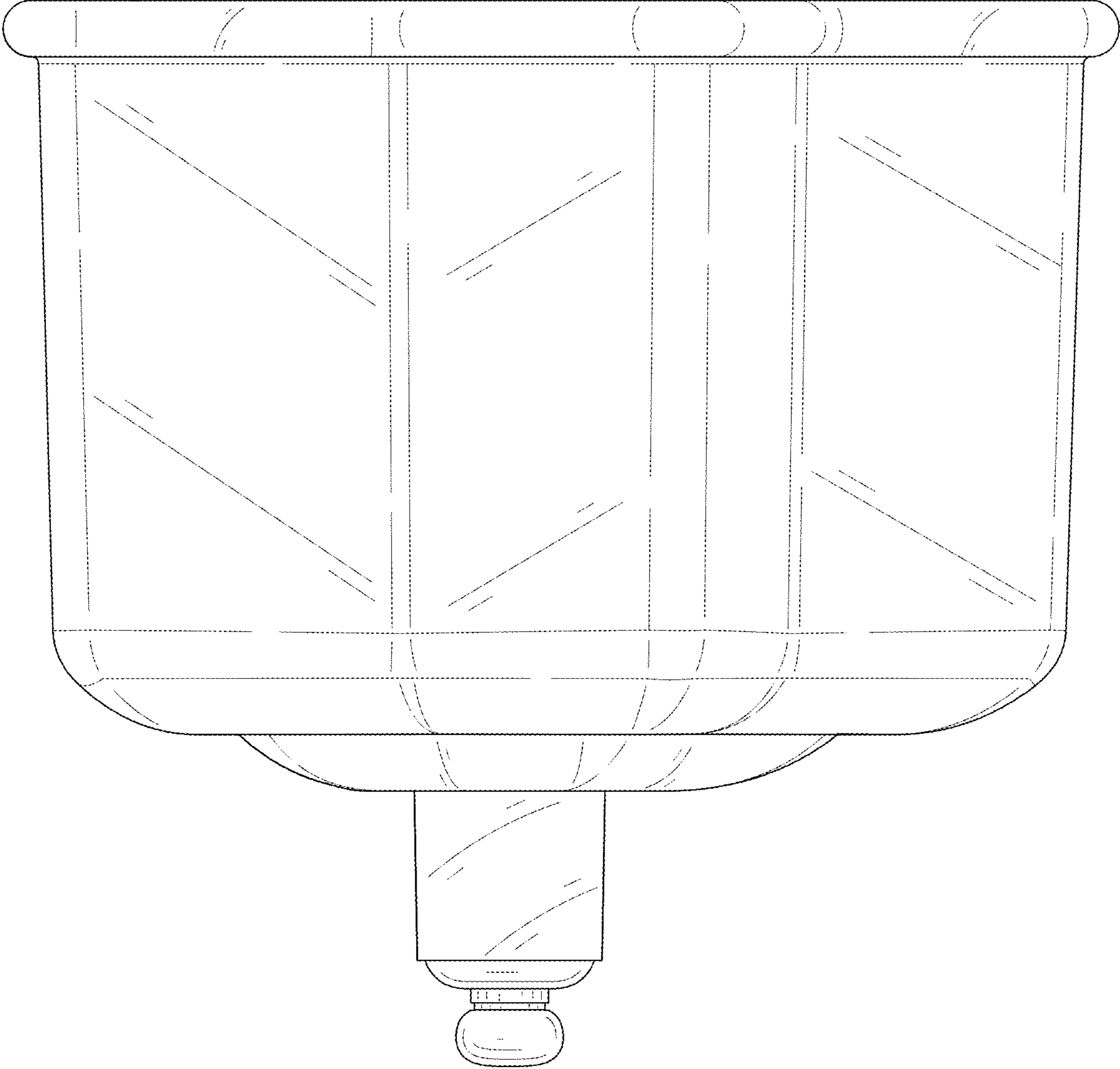


FIG. 6

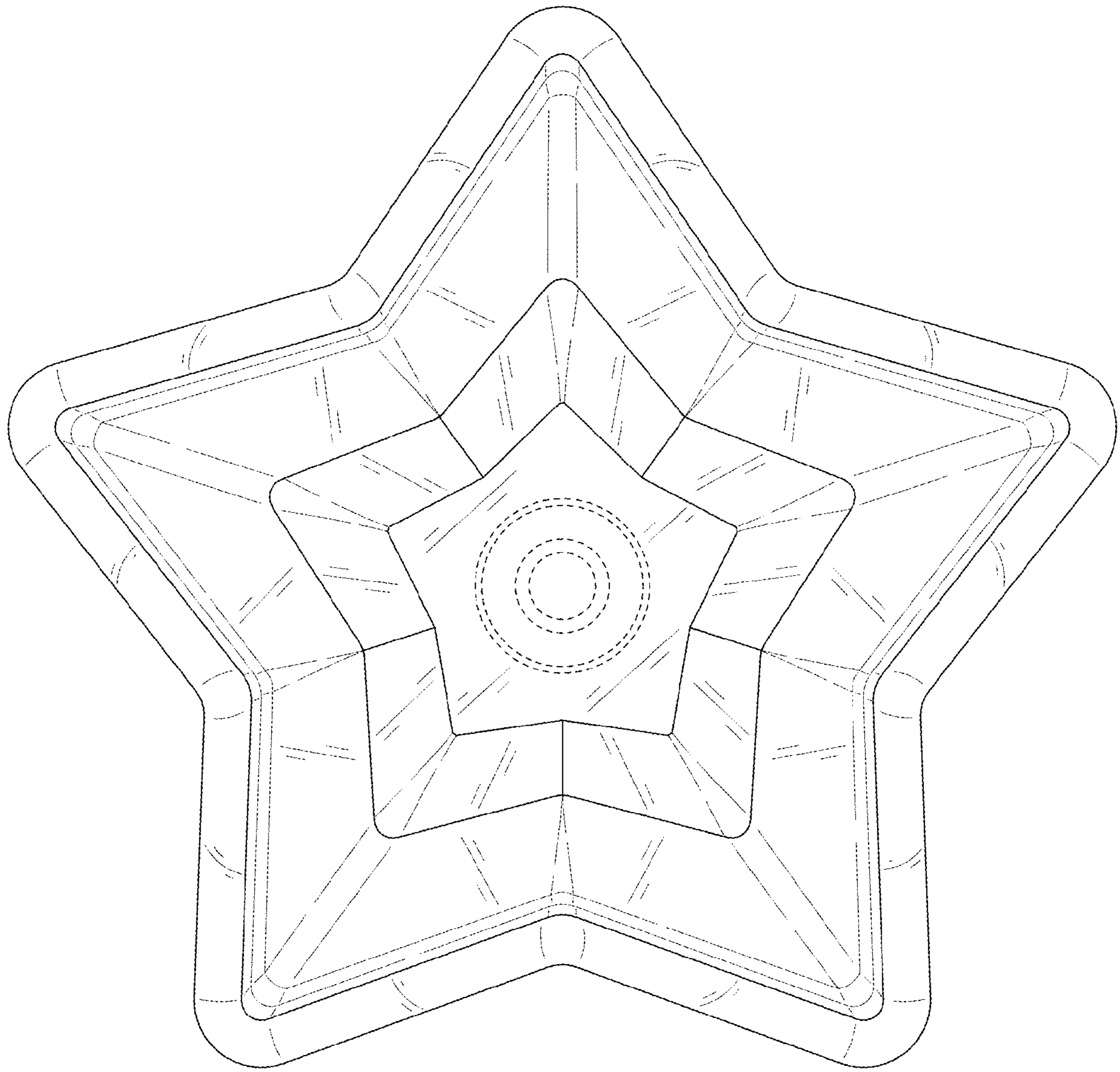


FIG. 7



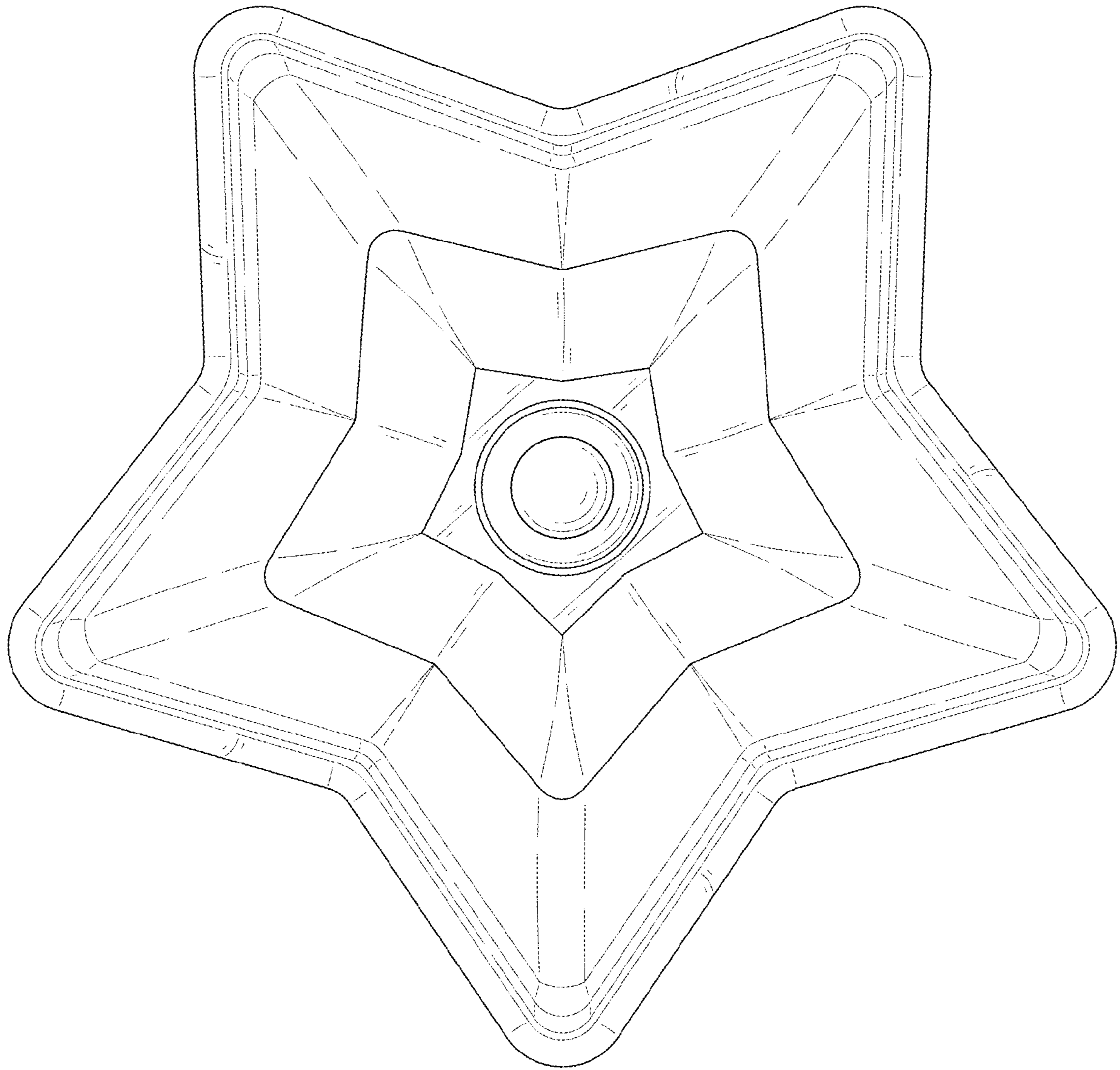


FIG. 8