



US00D952888S

(12) **United States Design Patent**  
**Chang**

(10) **Patent No.:** **US D952,888 S**

(45) **Date of Patent:** **\*\* May 24, 2022**

(54) **HEART-SHAPED VACUUM MASSAGE DEVICE**

D846,752 S 4/2019 Zhou  
D866,780 S \* 11/2019 Moramarco ..... D24/200  
D917,713 S 4/2021 Zhou  
D942,635 S \* 2/2022 Rubinshteyn ..... D24/200

(71) Applicant: **Yu-Chieh Chang**, Taipei (TW)

(72) Inventor: **Yu-Chieh Chang**, Taipei (TW)

(\*\*) Term: **15 Years**

(21) Appl. No.: **29/787,516**

(22) Filed: **Jun. 7, 2021**

(51) **LOC (13) Cl.** ..... **28-03**

(52) **U.S. Cl.**  
USPC ..... **D24/215**

(58) **Field of Classification Search**  
USPC ..... D1/112, 127; D30/121; D21/363, 380,  
D21/493; D24/215; D9/451, 456, 629,  
D9/669  
CPC .. B65D 5/425; B65D 5/50; A61H 2015/0042;  
A61H 33/6036  
See application file for complete search history.

(56) **References Cited**

**U.S. PATENT DOCUMENTS**

- 3,610,510 A \* 10/1971 Lowry ..... B65D 43/0222  
229/116.2
- D259,153 S \* 5/1981 Valente ..... D3/270
- D296,762 S \* 7/1988 Sato ..... D9/629
- D296,871 S \* 7/1988 Sato ..... D9/629
- D417,396 S \* 12/1999 Gobe ..... D9/451
- D540,691 S \* 4/2007 Davies ..... D9/417
- D574,719 S \* 8/2008 Ereksion ..... D9/629
- D645,261 S \* 9/2011 Puskas ..... D6/303
- D673,885 S \* 1/2013 Seay ..... D12/125
- D741,722 S \* 10/2015 Oaknin ..... D9/629
- D756,796 S \* 5/2016 Sifuentes ..... D9/425
- D809,212 S \* 1/2018 Watson ..... D30/102
- D809,213 S \* 1/2018 Watson ..... D30/102
- D817,588 S \* 5/2018 Fraser ..... D99/5

**OTHER PUBLICATIONS**

Lovecuppung, "Air Love Cups", Access Date: Mar. 17, 2022. <https://www.lovecuppung.com/collections/cupping-collection/products/air-cups-set-of-12>. Shown on p. 1. (Year: 2022).\*

Alibaba, "Single Love Heart Cupping Cups", Access Date Mar. 17, 2022. [https://www.alibaba.com/product-detail/Plastic-PC-Vacuum-Cupping-Set-hijama\\_1600081425785.html](https://www.alibaba.com/product-detail/Plastic-PC-Vacuum-Cupping-Set-hijama_1600081425785.html). Shown on both pages. (Year: 2022).\*

Amazon, "Cupping Cups", Jul. 17, 2021. [https://www.amazon.com/Shaped-Cupping-Plastic-Therapy-Massager/dp/B099PVQH8Z/ref=cm\\_cr\\_ar\\_p\\_d\\_product\\_top?ie=UTF8](https://www.amazon.com/Shaped-Cupping-Plastic-Therapy-Massager/dp/B099PVQH8Z/ref=cm_cr_ar_p_d_product_top?ie=UTF8). (Year: 2021).\*

\* cited by examiner

*Primary Examiner* — Michael A Maharajh  
(74) *Attorney, Agent, or Firm* — ScienBiziP, P.C.

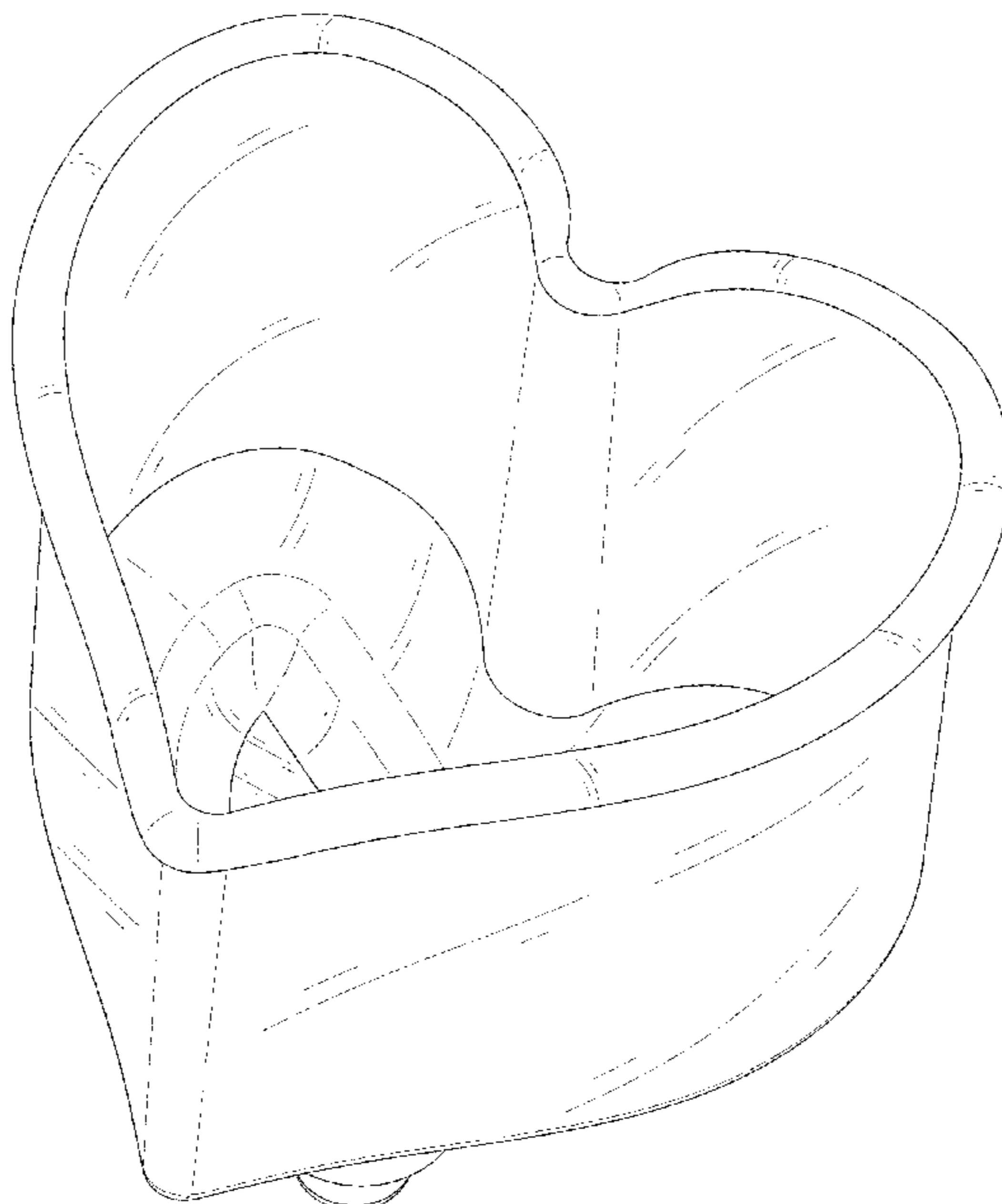
(57) **CLAIM**

The ornamental design for a heart-shaped vacuum massage device, as shown and described.

**DESCRIPTION**

FIG. 1 is a front, right, and top perspective view of a heart-shaped vacuum massage device, showing my design. FIG. 2 is a rear, left, and bottom perspective view thereof. FIG. 3 is a front elevation view thereof. FIG. 4 is a rear elevation view thereof. FIG. 5 is a left side elevation view thereof. FIG. 6 is a right side elevation view thereof. FIG. 7 is a top plan view thereof; and, FIG. 8 is a bottom plan view thereof. The broken lines shown in the drawings are included for the purpose of illustrating portions of the heart-shaped vacuum massage device that form no part of the claimed design.

**1 Claim, 8 Drawing Sheets**



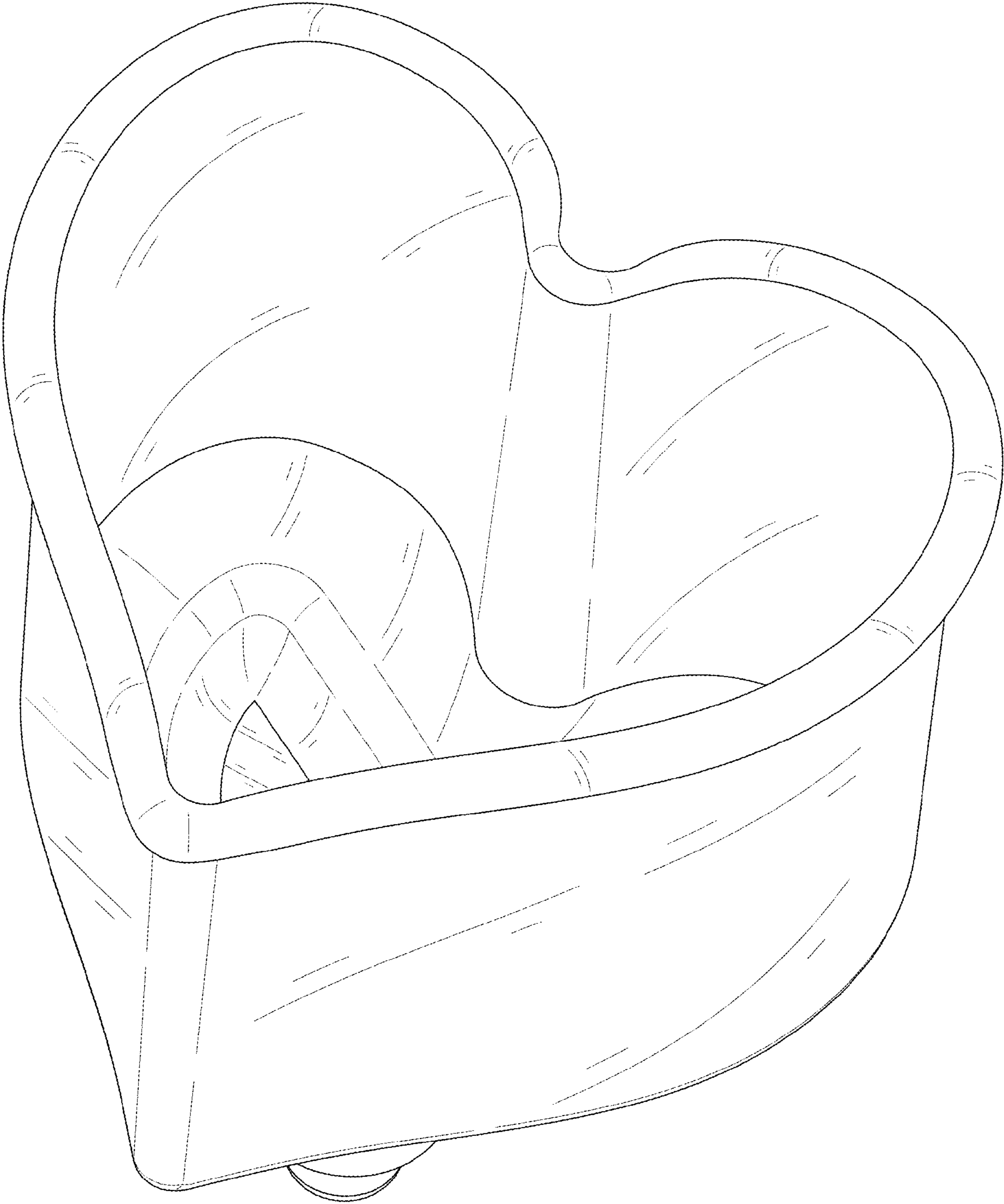


FIG. 1

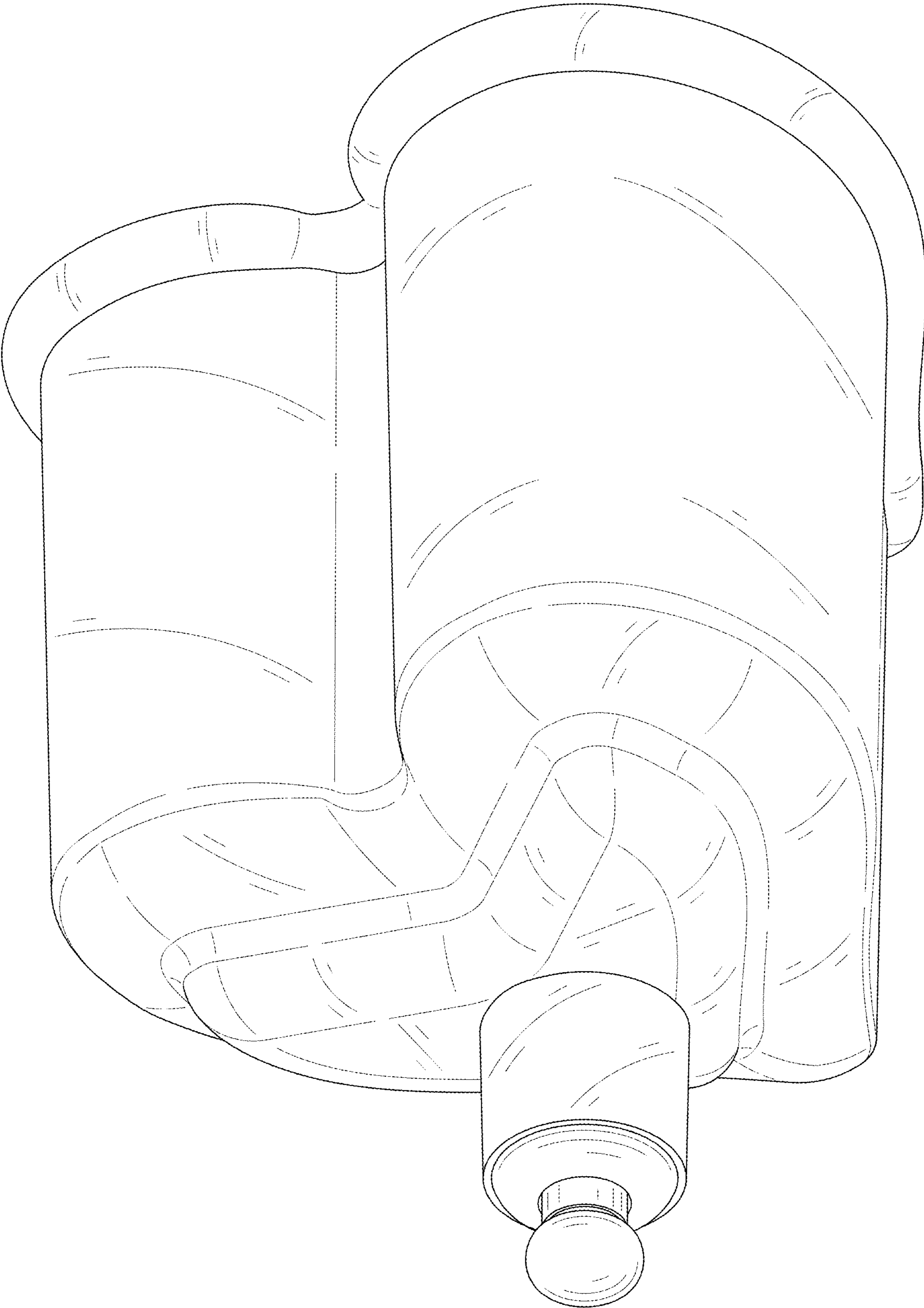


FIG. 2

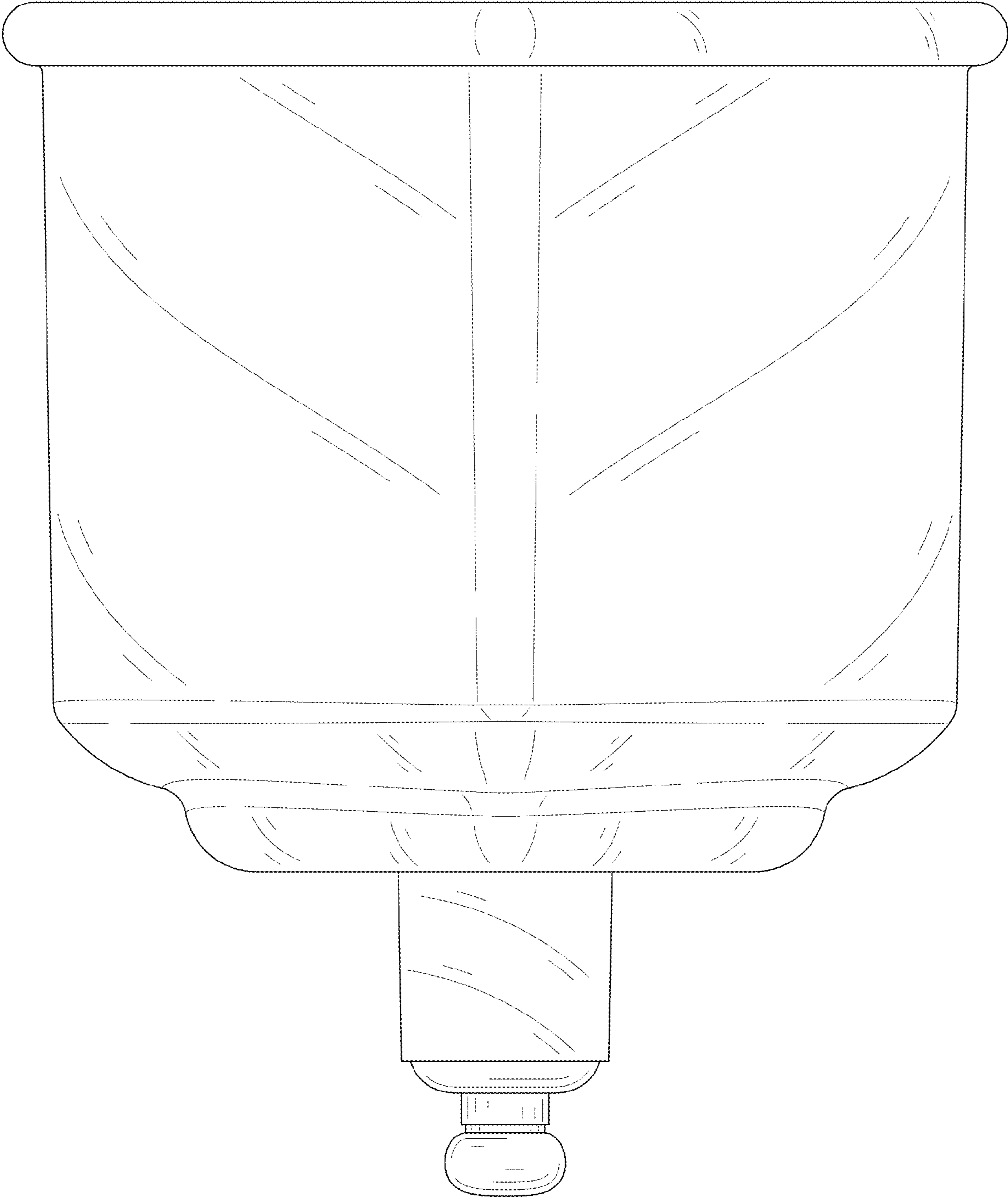


FIG. 3

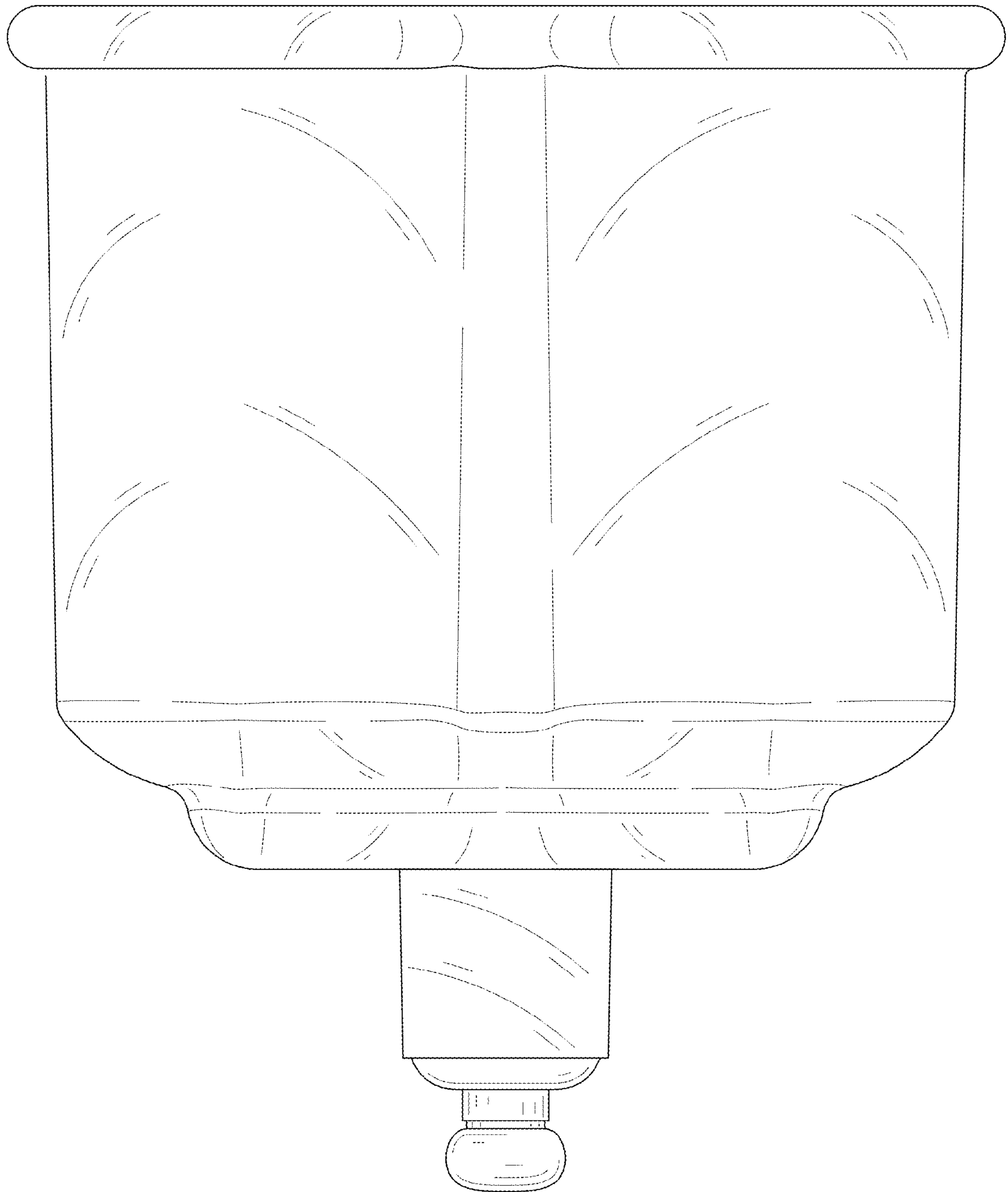


FIG. 4

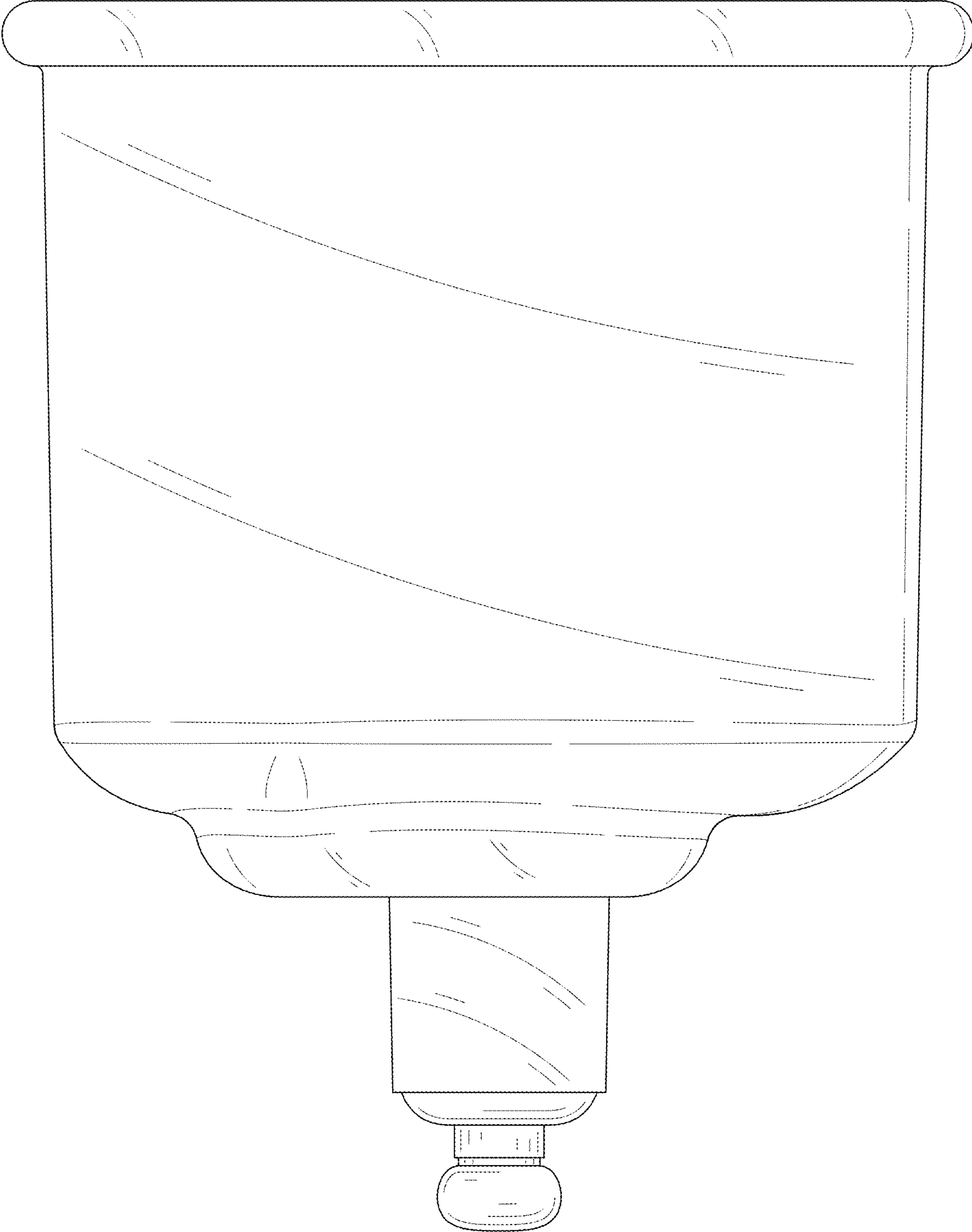


FIG. 5

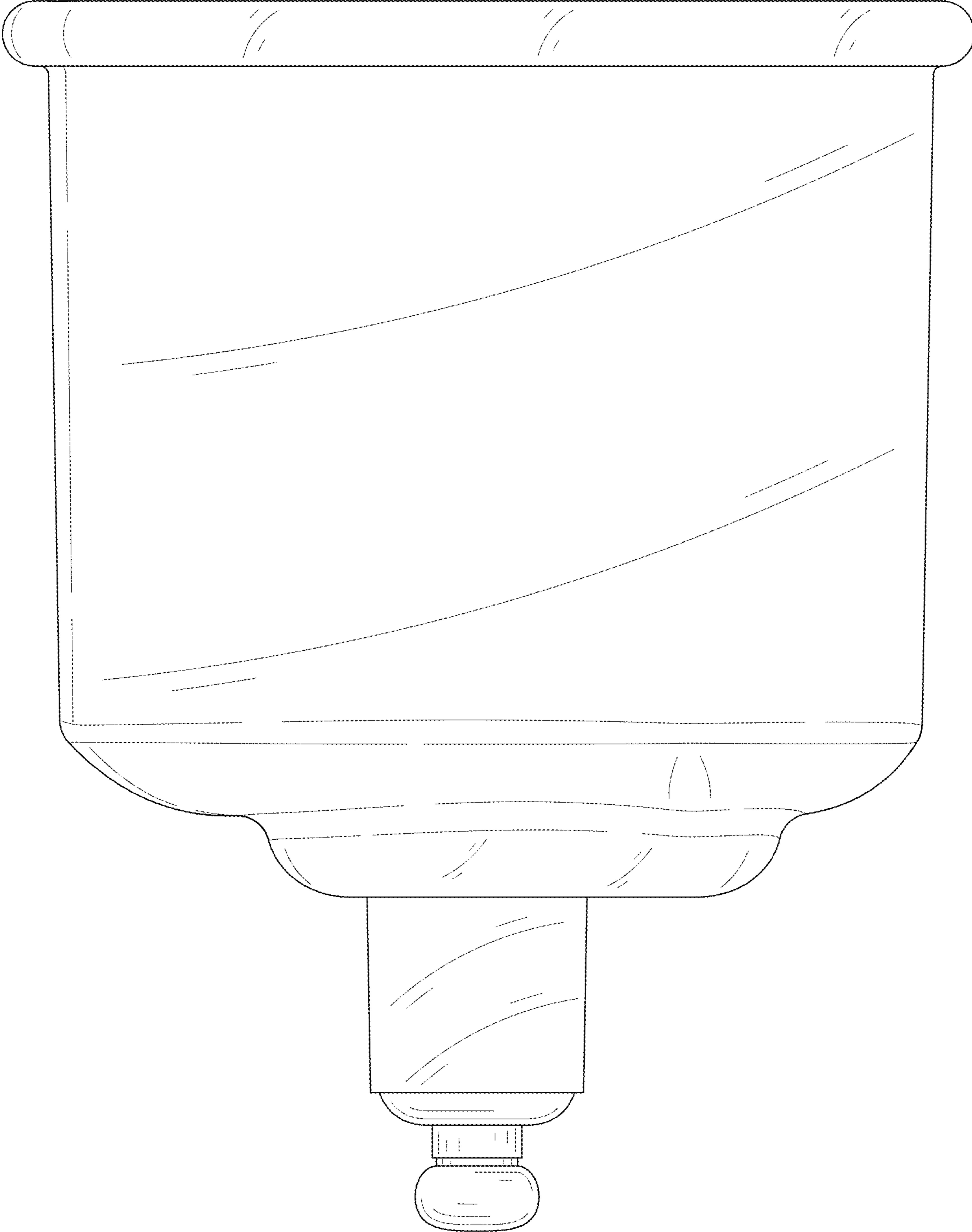


FIG. 6

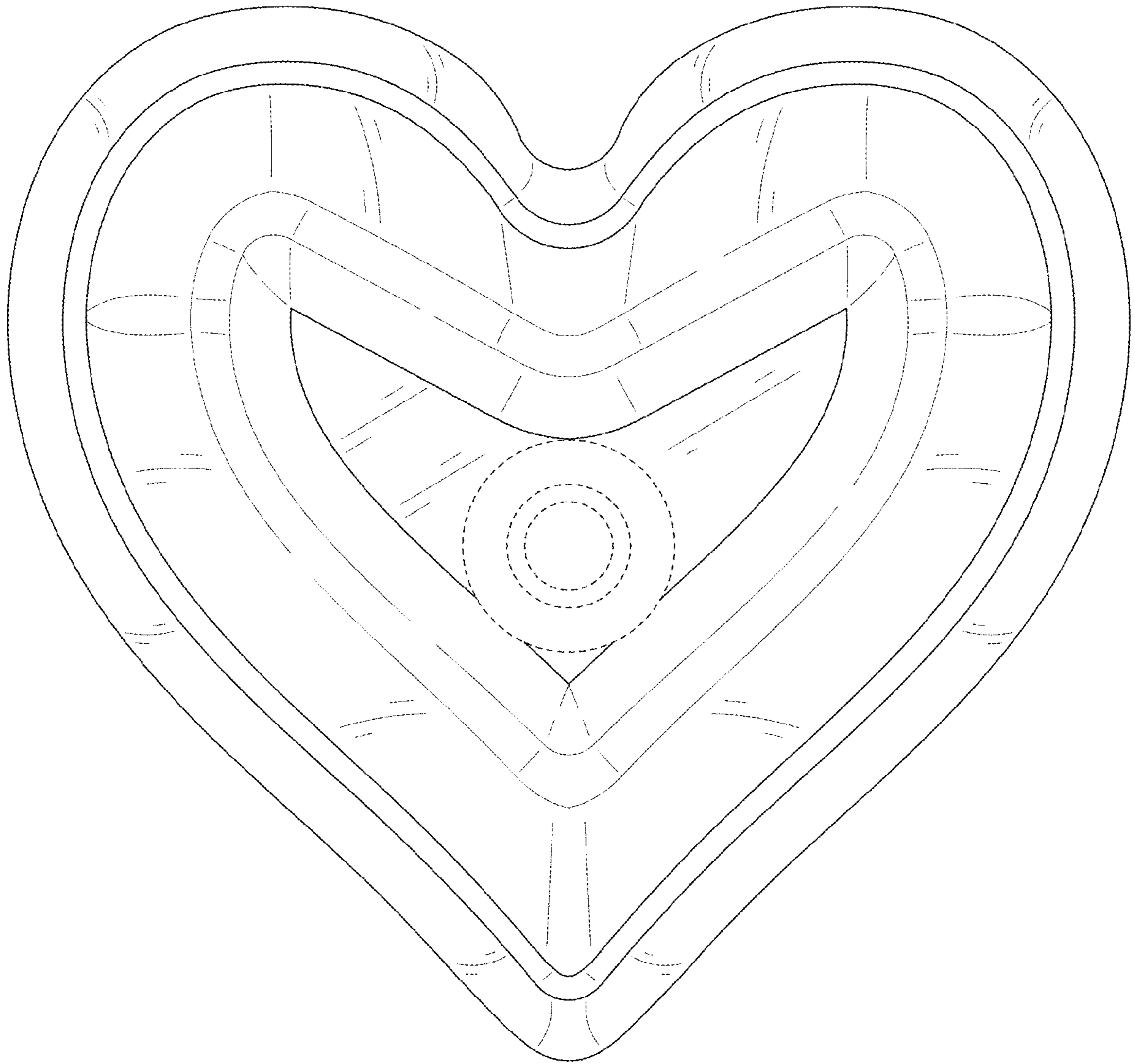


FIG. 7



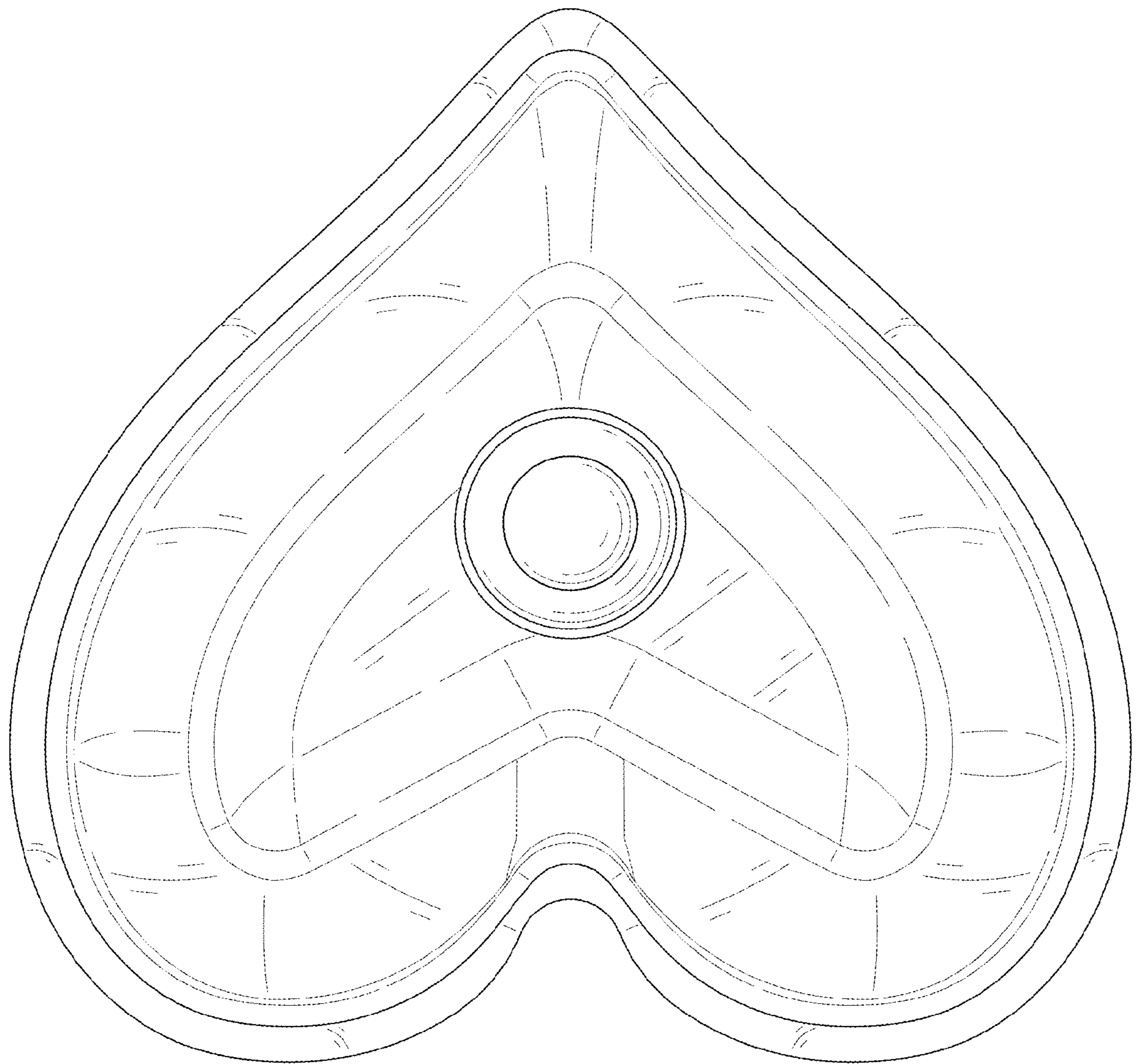


FIG. 8