



US00D952886S

(12) **United States Design Patent** (10) **Patent No.:** **US D952,886 S**
Liao (45) **Date of Patent:** **** May 24, 2022**

(54) **BEAUTY ROLLER SET**
(71) Applicant: **Houyuan Liao**, Dongguan (CN)
(72) Inventor: **Houyuan Liao**, Dongguan (CN)
(73) Assignee: **Dongguan Meibo Technology Co., Ltd.**, Dongguan (CN)

D498,397 S * 11/2004 Mitchell D8/14
D549,834 S * 8/2007 Huang D24/211
7,682,098 B2 * 3/2010 Sandahi B05C 17/0325
401/170
D661,168 S * 6/2012 Furling D8/51
D661,491 S * 6/2012 Bunnag D4/122
D671,747 S * 12/2012 Guyton D4/122
D671,748 S * 12/2012 Guyton D4/122

(Continued)

(**) Term: **15 Years**

OTHER PUBLICATIONS

(21) Appl. No.: **29/763,523**
(22) Filed: **Dec. 23, 2020**
(51) **LOC (13) Cl.** **28-03**
(52) **U.S. Cl.**
USPC **D24/215**
(58) **Field of Classification Search**
USPC D24/133, 200, 211, 212, 213, 214, 215;
D30/160; D7/697; D4/122
CPC A61H 15/00; A61H 2015/0014; A61H
15/0092; A61B 2017/320008; A61B
2017/00747

Amazon, "ITME Ice Rollers", Jun. 9, 2021. https://www.amazon.com/ITME-Stainless-Massager-Puffiness-Migraine/dp/B08W1VG2PN/ref=sr_1_2?crd=3M0E3V5S03LTA&keywords=ITME+2Pcs+Ice+Rollers&qid=1643025643&sprefix=itme+2pcs+ice+rollers%2Caps%2C707&sr=8-2. Shown on p. 1. (Year: 2021).*

Primary Examiner — Michael A Maharajh

(57) **CLAIM**

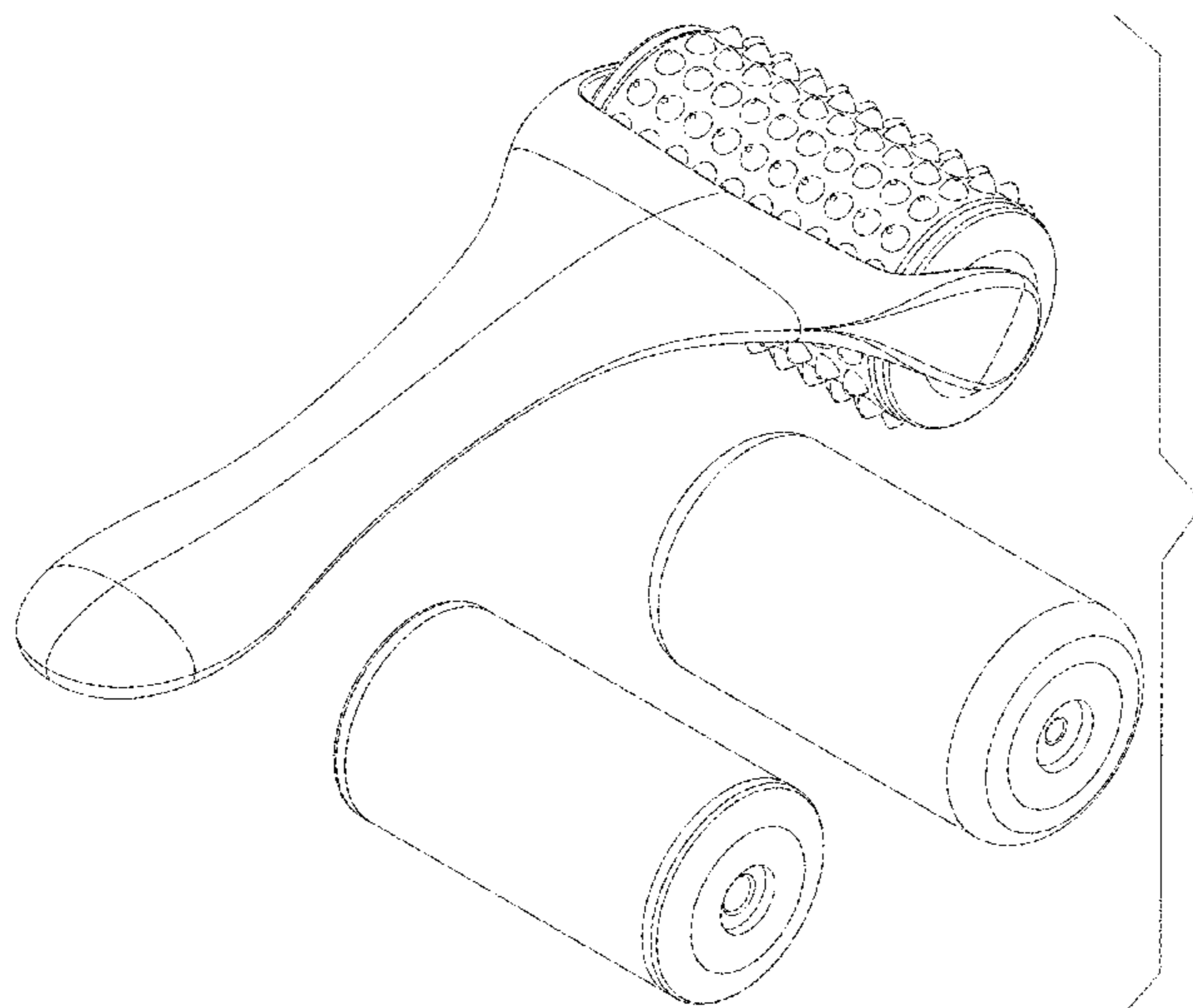
The ornamental design for a beauty roller set, as shown and described.

DESCRIPTION

(56) **References Cited**
U.S. PATENT DOCUMENTS
1,501,342 A * 7/1924 Hoard A61H 15/0092
601/123
D114,731 S * 5/1939 Tresenberg D24/211
D206,258 S * 11/1966 Roth D4/122
D306,524 S * 3/1990 Marshall D4/122
D336,163 S * 6/1993 Chien-Min D4/122
D352,130 S * 11/1994 Zierhut 401/208
D385,060 S * 10/1997 Burrell D28/7
D418,631 S * 1/2000 Clouse D28/7
6,017,162 A * 1/2000 Call A45D 34/041
401/208
6,176,841 B1 * 1/2001 Tso A61H 15/0092
601/129
D459,639 S * 7/2002 Hefti D7/683
6,484,341 B2 * 11/2002 Hefti A21C 3/021
492/13
D483,571 S * 12/2003 Khubani D4/122

FIG. 1 is a front, top perspective view of a beauty roller set showing my new design;
FIG. 2 is a rear, bottom perspective view thereof;
FIG. 3 is a front elevation view of the handle and a roller of the beauty roller set;
FIG. 4 is a rear elevation view thereof;
FIG. 5 is a left side elevation view thereof;
FIG. 6 is a right side elevation view thereof;
FIG. 7 is a top plan view thereof;
FIG. 8 is a bottom plan view thereof;
FIG. 9 is another roller of the beauty roller set shown separately to show aspects of the design that are not visible when combined thereof; and,
FIG. 10 is the third roller of the beauty roller set shown separately to show aspects of the design that are not visible when combined thereof.

1 Claim, 8 Drawing Sheets



(56)

References Cited

U.S. PATENT DOCUMENTS

D676,246 S * 2/2013 Gold D4/122
 D676,975 S * 2/2013 Bickford D24/211
 D677,391 S * 3/2013 Bickford D24/211
 D677,392 S * 3/2013 Bickford D24/211
 D678,540 S * 3/2013 Bickford D24/211
 D678,541 S * 3/2013 Bickford D24/211
 D678,542 S * 3/2013 Bickford D24/211
 D690,944 S * 10/2013 Lee D4/122
 D706,981 S * 6/2014 Clough D28/44.1
 D765,914 S * 9/2016 Khubani D28/58
 D781,498 S * 3/2017 Pel D28/58
 D781,499 S * 3/2017 Pel D28/58
 D820,522 S * 6/2018 Colin D28/58
 D824,596 S * 7/2018 Gobber A45D 29/00
 D829,919 S * 10/2018 Davis D24/211
 D841,176 S * 2/2019 Gaquiere D24/211

D845,633 S * 4/2019 Gaquiere D4/102
 D849,259 S * 5/2019 Gaquiere D24/211
 D863,580 S * 10/2019 Lee D24/211
 D863,581 S * 10/2019 Lee D24/211
 D865,201 S * 10/2019 Gaquiere D24/211
 D865,202 S * 10/2019 Gaquiere D24/211
 D865,203 S * 10/2019 Eschbach D24/211
 D865,293 S * 10/2019 Adams D28/58
 D890,941 S * 7/2020 Gaquiere D24/211
 D895,823 S * 9/2020 Khubani D24/211
 D905,262 S * 12/2020 Khubani D24/211
 D939,098 S * 12/2021 Lombardo D24/211
 2011/0125067 A1 * 5/2011 Filho A61H 15/0092
 601/19
 2013/0048011 A1 * 2/2013 Bickford A45D 40/28
 132/320
 2015/0374409 A1 * 12/2015 Chopdat A61B 17/54
 606/131
 2018/0353371 A1 * 12/2018 Shikahama A61H 15/0092

* cited by examiner

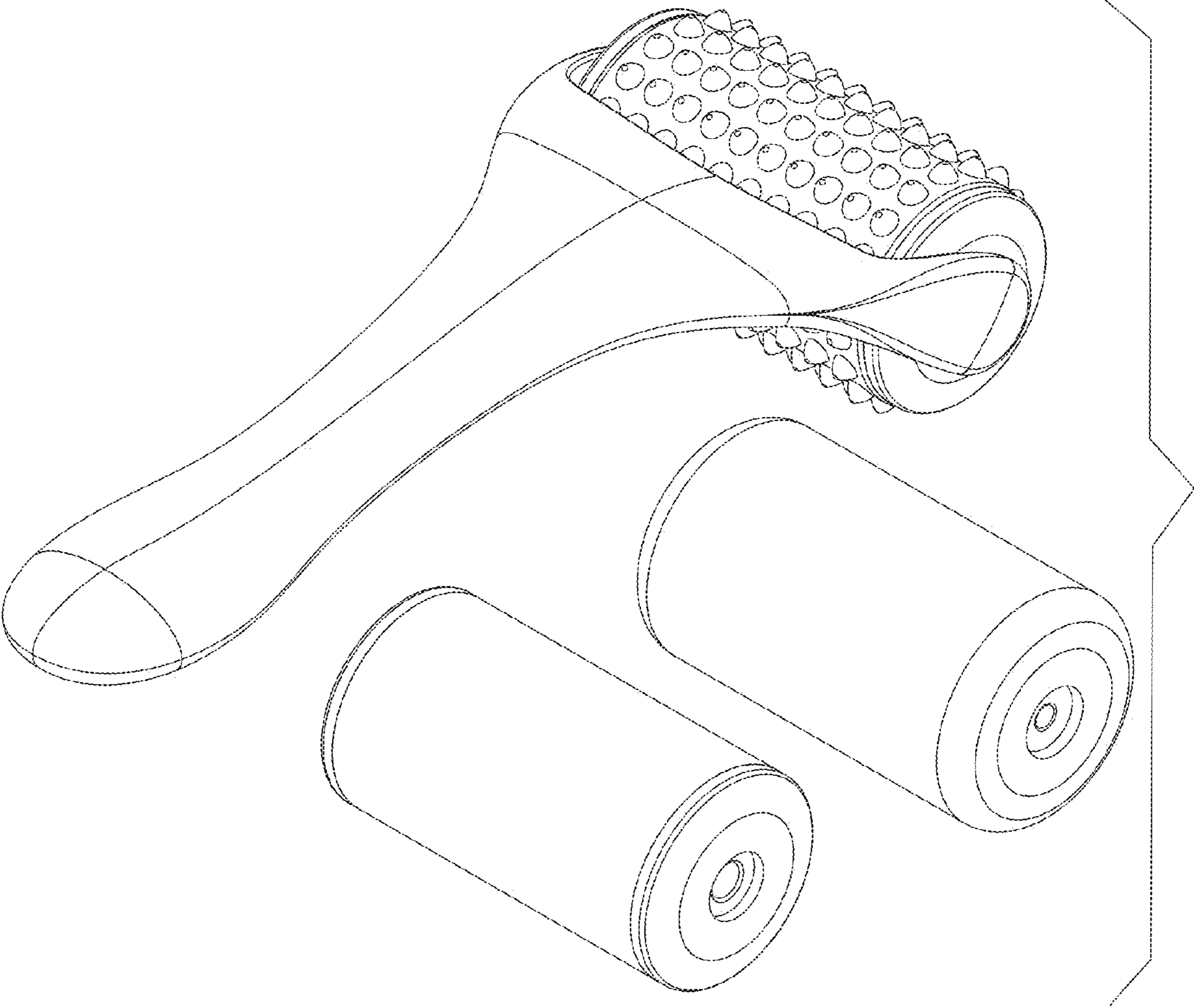


FIG. 1

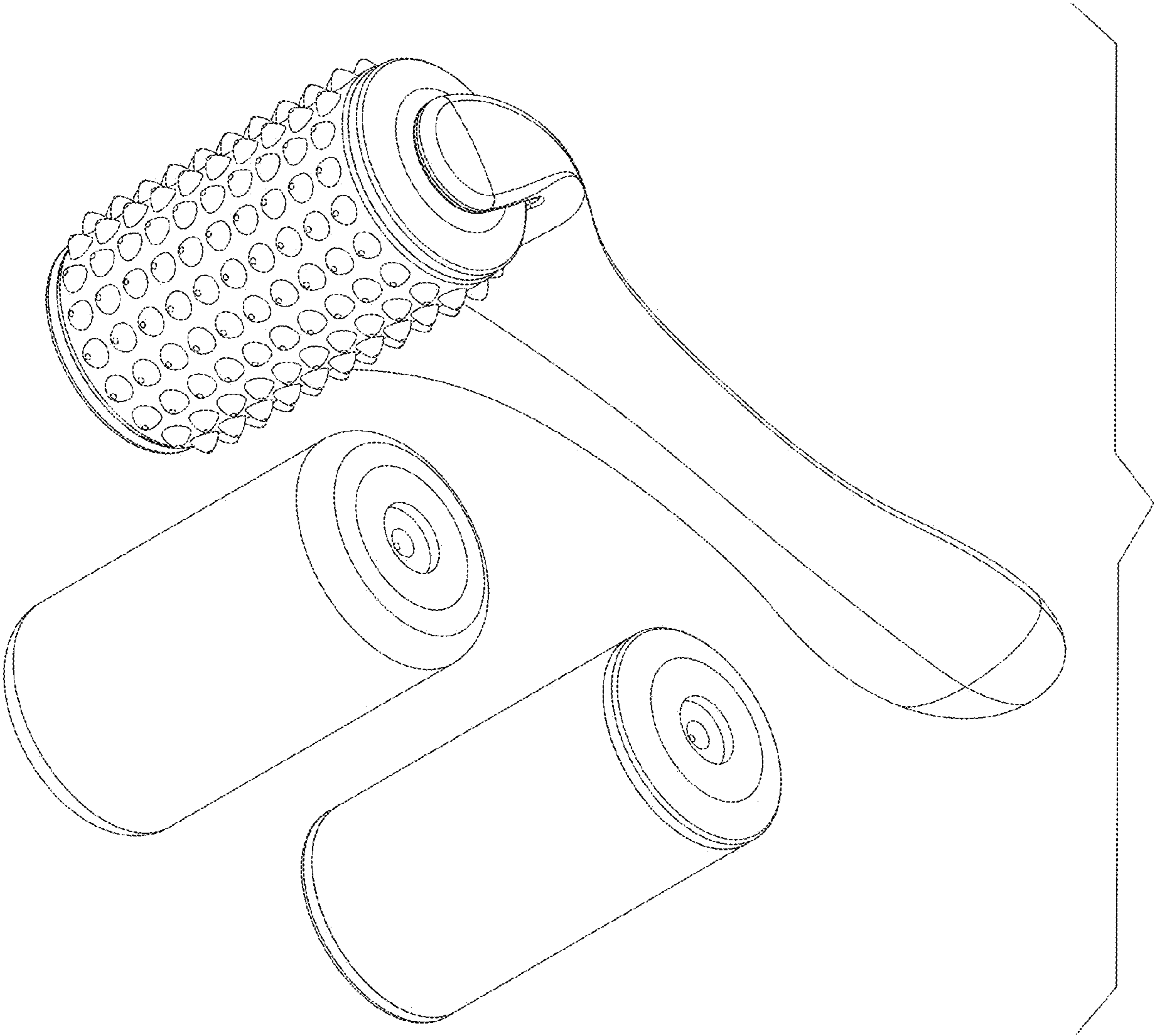


FIG. 2

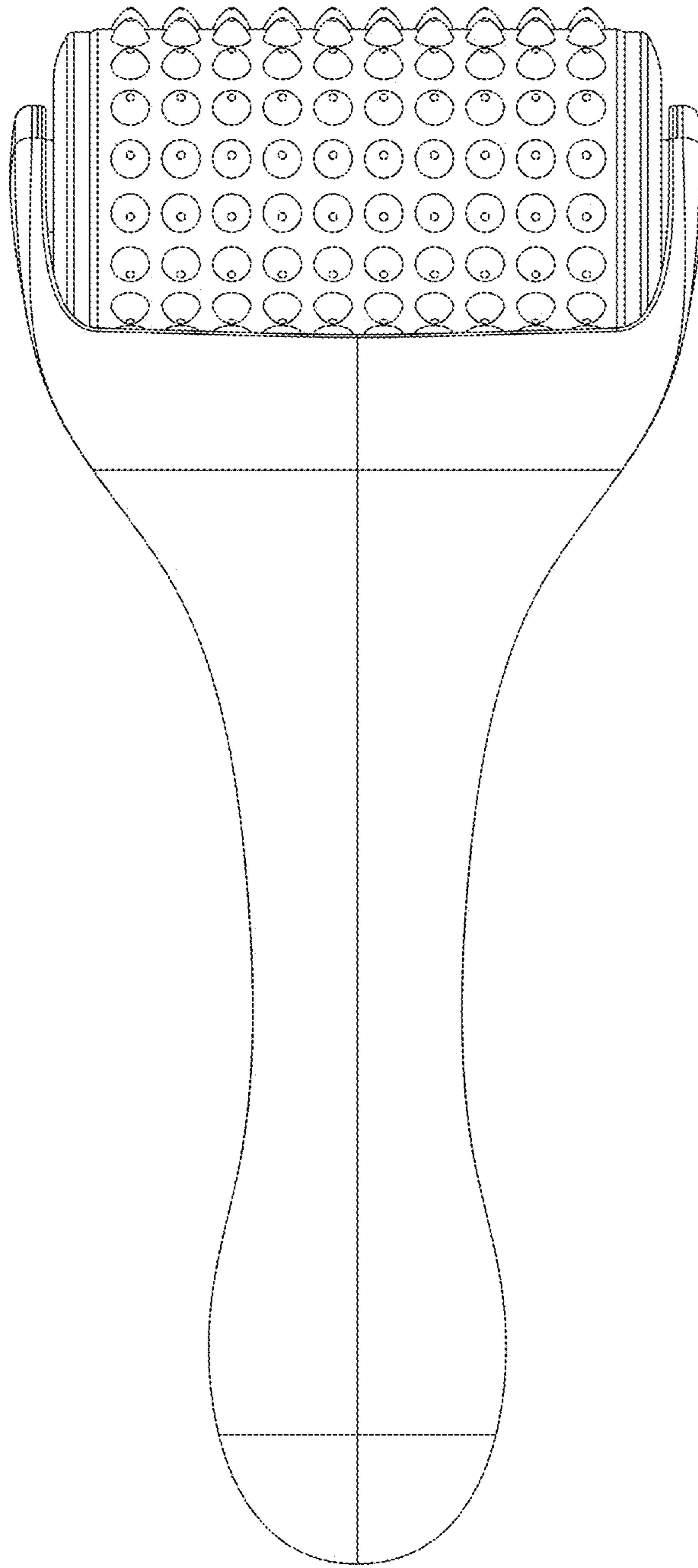


FIG. 3

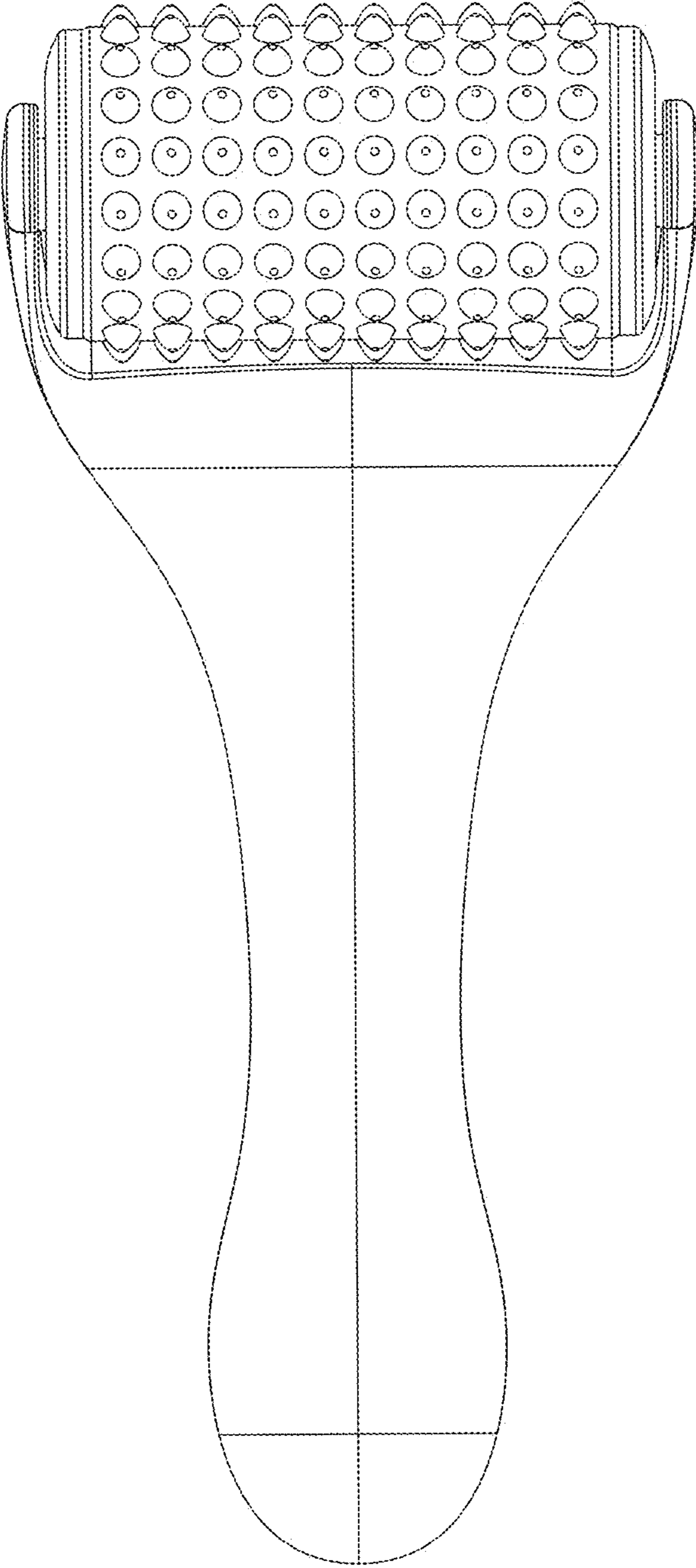


FIG. 4

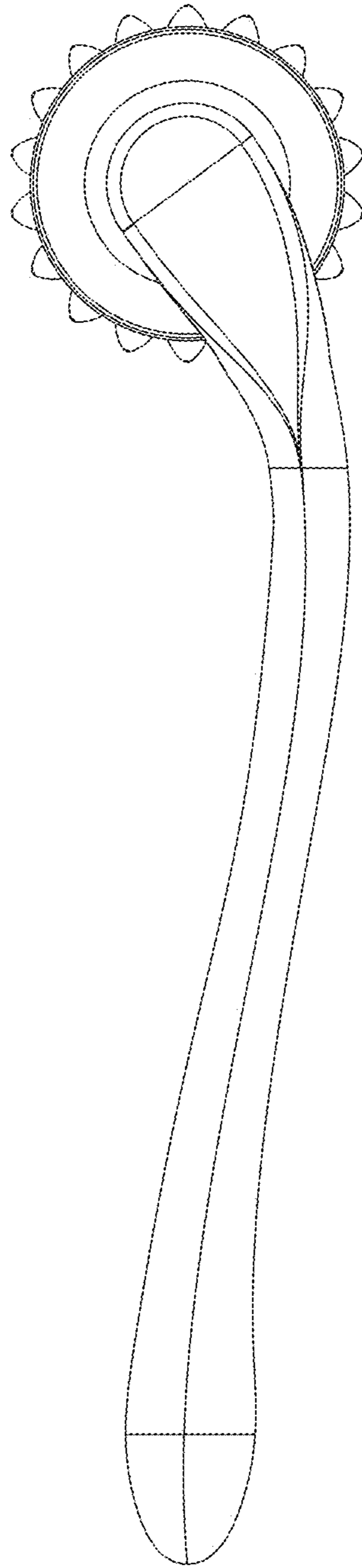


FIG. 5

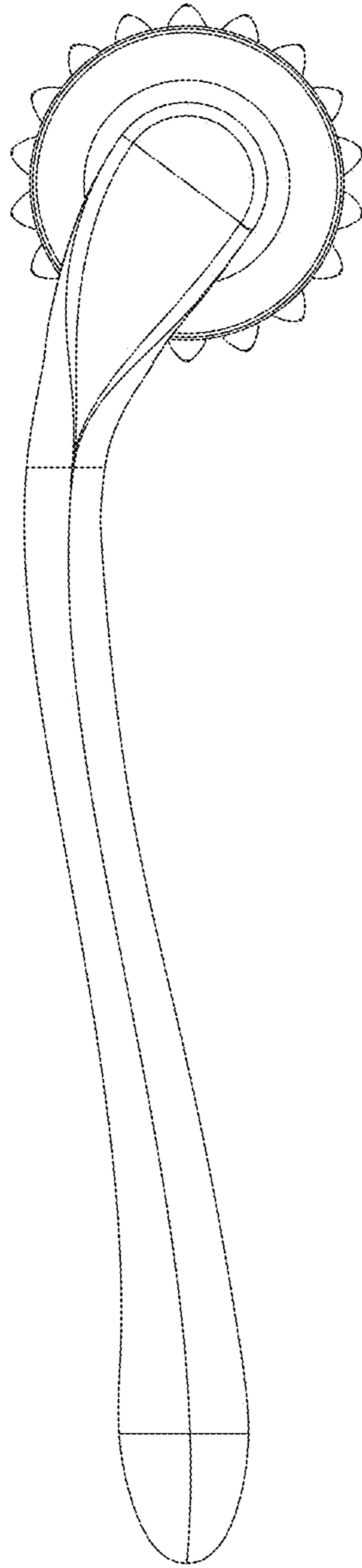


FIG. 6

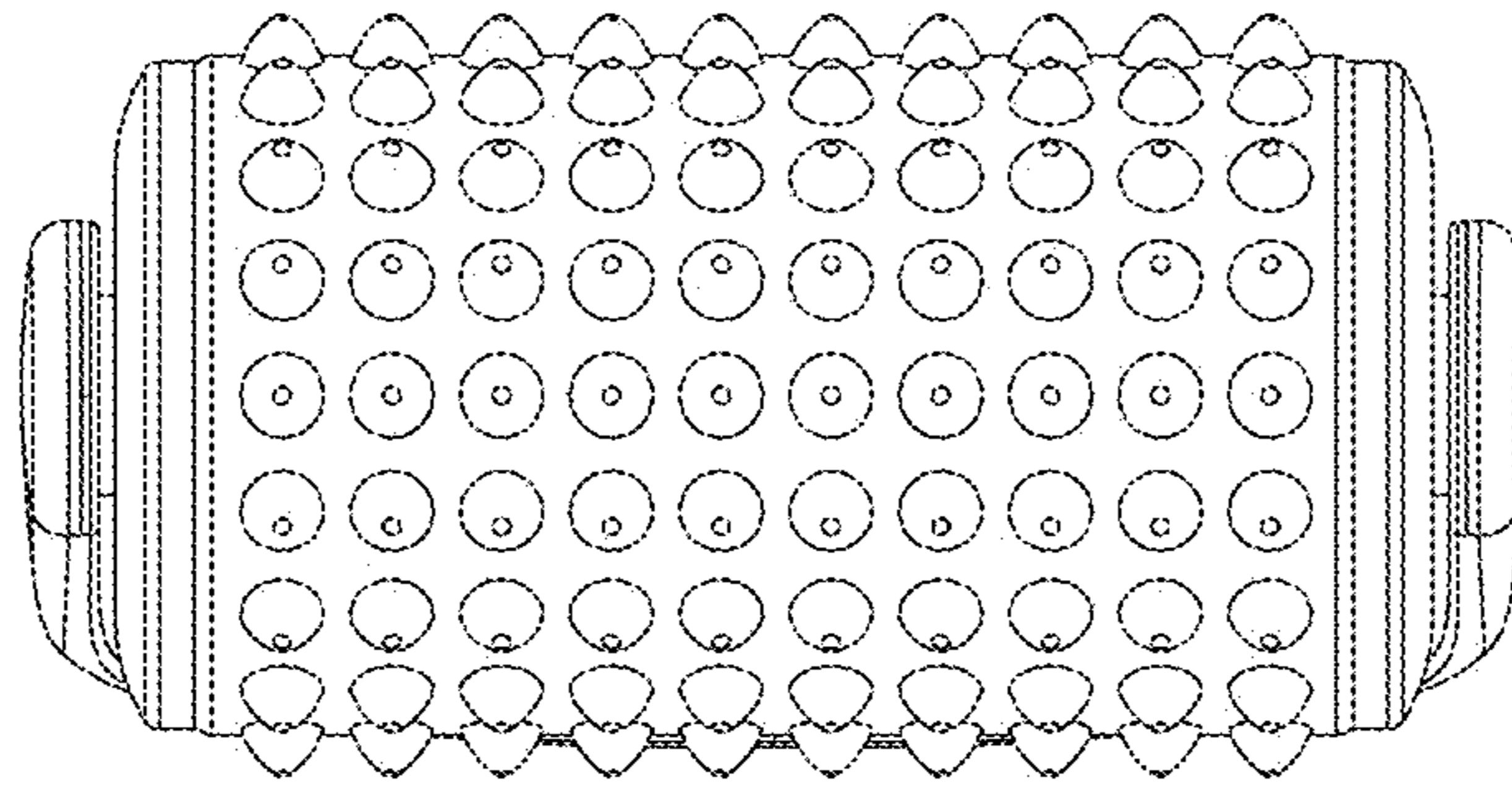


FIG. 7

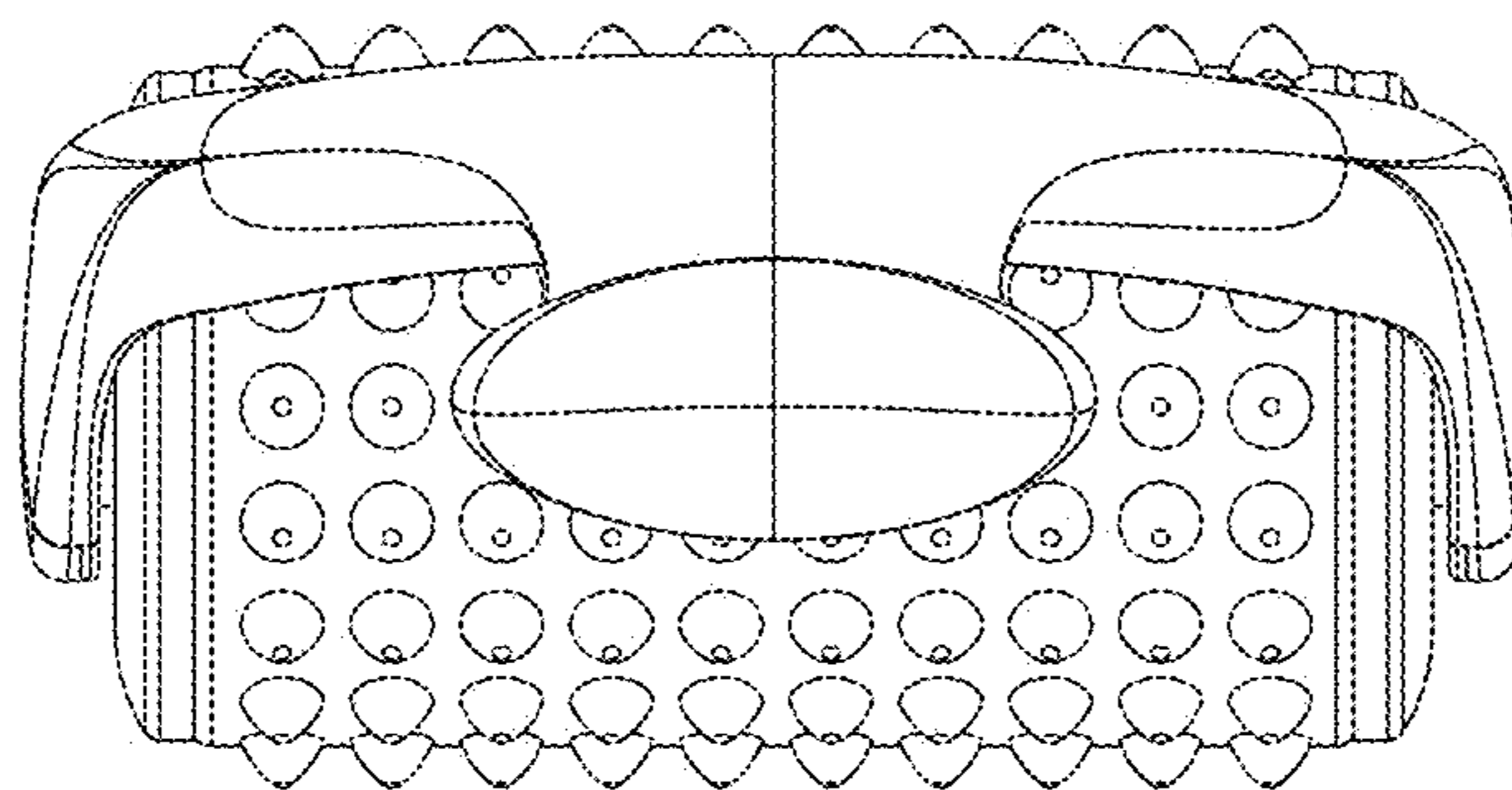


FIG. 8

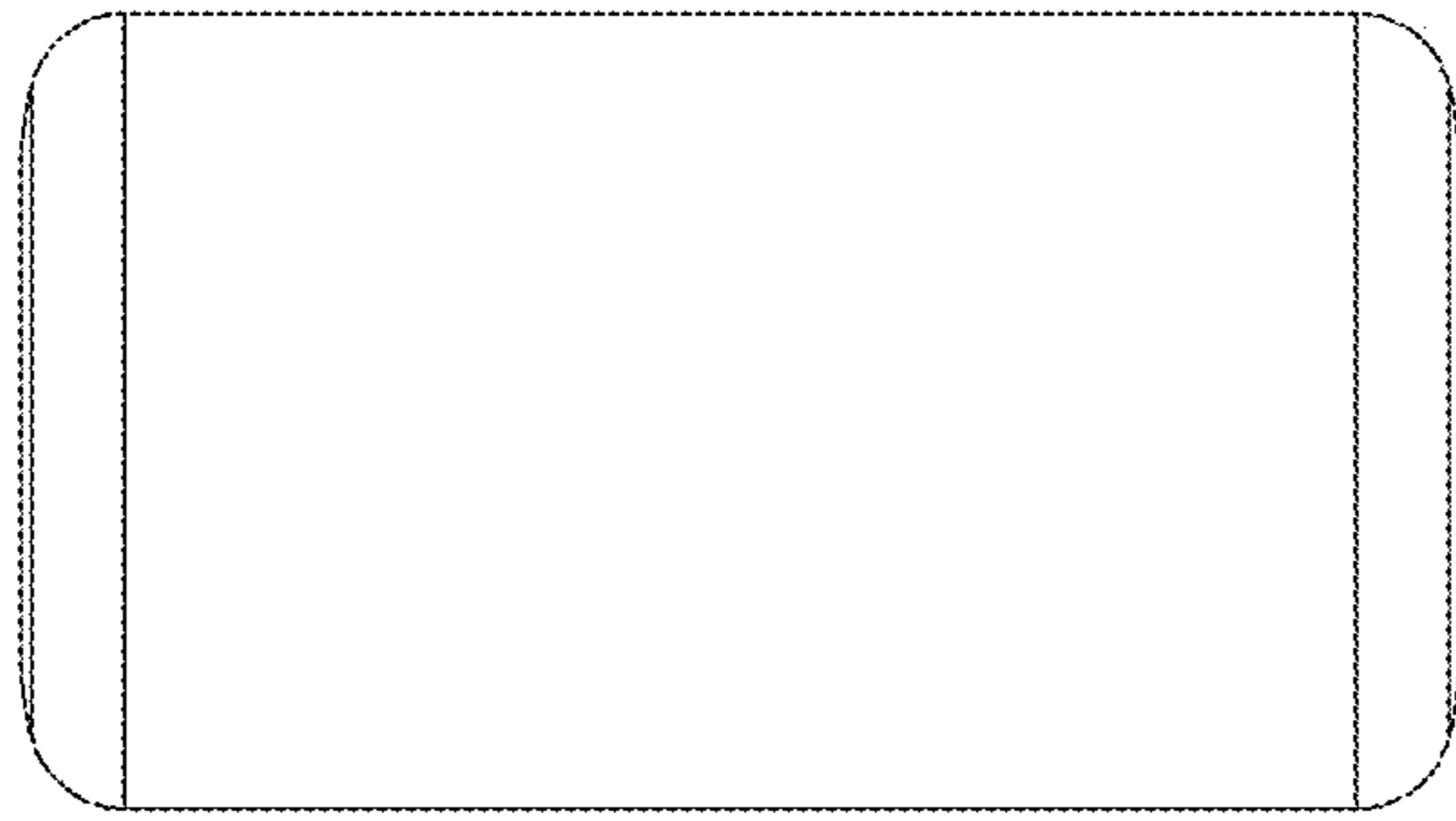


FIG. 9

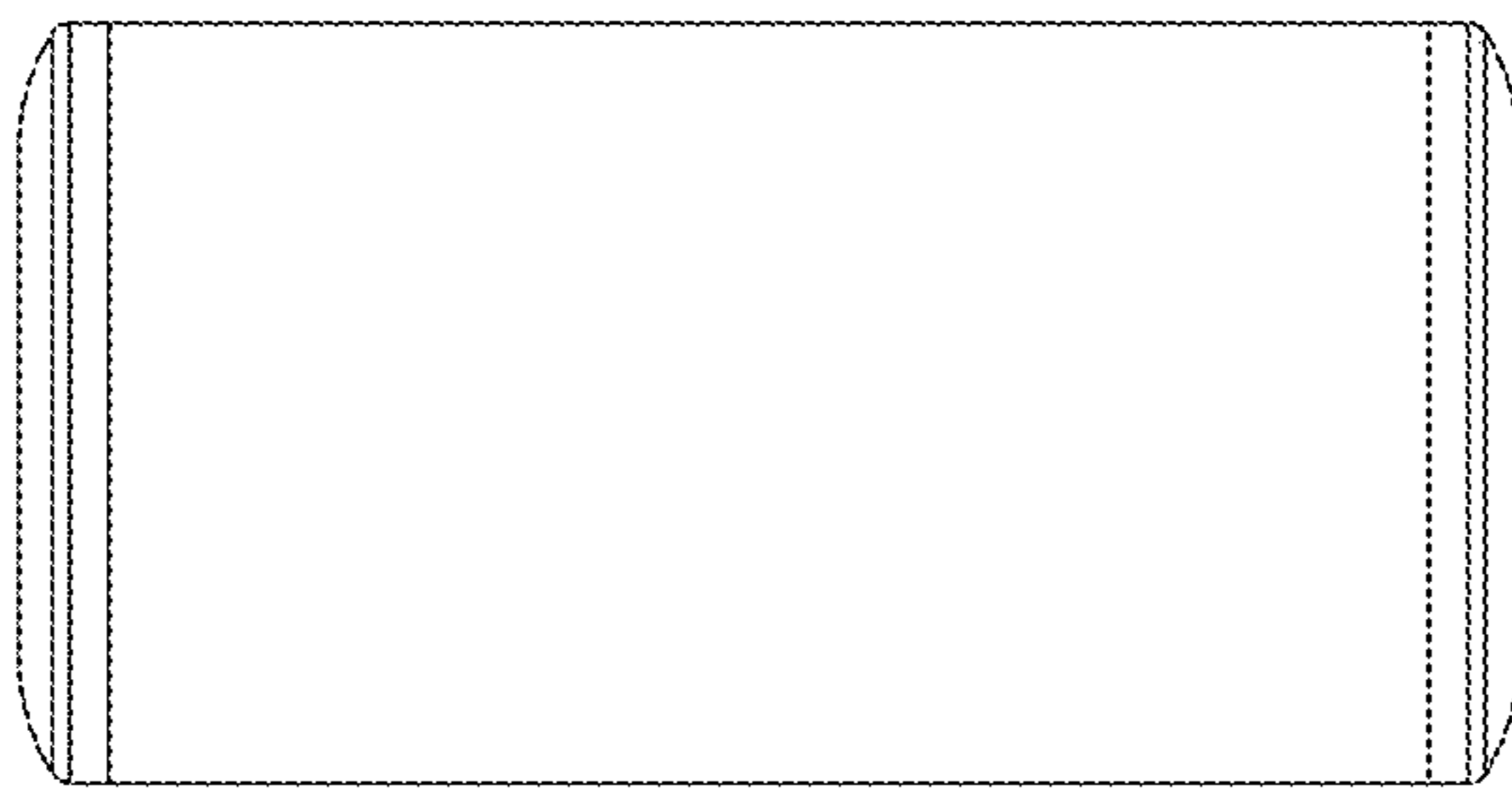


FIG. 10